

US00D967589S

(12) **United States Design Patent** (10) **Patent No.:** **US D967,589 S**
Zhao (45) **Date of Patent:** **** Oct. 18, 2022**

(54) **STORAGE SHELF**

(71) Applicant: **Juan Zhao**, Shenzhen (CN)

(72) Inventor: **Juan Zhao**, Shenzhen (CN)

(**) Term: **15 Years**

(21) Appl. No.: **29/810,969**

(22) Filed: **Oct. 11, 2021**

(51) **LOC (13) Cl.** **12-02**

(52) **U.S. Cl.**

USPC **D34/22**

(58) **Field of Classification Search**

USPC D34/12, 14-18, 22-24; D6/552

CPC B62B 3/02; B62B 3/006; B62B 3/1404;

B62B 3/005; B62B 3/10; B62B 3/00;

B62B 3/022; B62B 2206/02; B62B

2202/40

See application file for complete search history.

(56) **References Cited**

U.S. PATENT DOCUMENTS

2,958,424	A *	11/1960	Aldo	A47L 19/00
					211/104
D316,198	S *	4/1991	Kee	D6/675.2
5,048,857	A *	9/1991	Stevens	B62B 3/10
					108/167
D333,200	S *	2/1993	Berrian	D34/12
D369,697	S *	5/1996	Hollinger	D6/403
D424,267	S *	5/2000	Lin	D34/12
D429,094	S *	8/2000	Solowiej	D6/552
D429,400	S *	8/2000	Walters-Dowding	D34/12
D546,013	S *	7/2007	Pong	D32/58
D564,644	S	3/2008	Bates		
D568,632	S	5/2008	Suzuki		
D746,089	S *	12/2015	Hsu	D6/683
D903,966	S *	12/2020	Li	D6/675.1
D904,808	S *	12/2020	Felsenthal	D6/675.4

D939,176	S *	12/2021	Au	D34/12
2008/0007019	A1 *	1/2008	Sparkowski	B62B 3/006
					280/79.3
2012/0312766	A1 *	12/2012	Butler	A47B 57/06
					211/134

OTHER PUBLICATIONS

Uline Cart, announced 2022 [online], [site visited Aug. 25, 2022], Avail from int, URL: <https://www.uline.com/Product/Detail/H-1199/Wire-Carts/Mail-Cart-27-x-19-x-38> (Year: 2022).*

* cited by examiner

Primary Examiner — Cynthia Ramirez

Assistant Examiner — Tamara L Hahn

(57) **CLAIM**

The ornamental design for a storage shelf, as shown and described.

DESCRIPTION

FIG. 1 is a perspective view of a storage shelf showing my new design;

FIG. 2 is another perspective view thereof;

FIG. 3 is a front elevational view thereof;

FIG. 4 is a rear elevational view thereof;

FIG. 5 is a left side elevational view thereof;

FIG. 6 is a right side elevational view thereof;

FIG. 7 is a top plan view thereof;

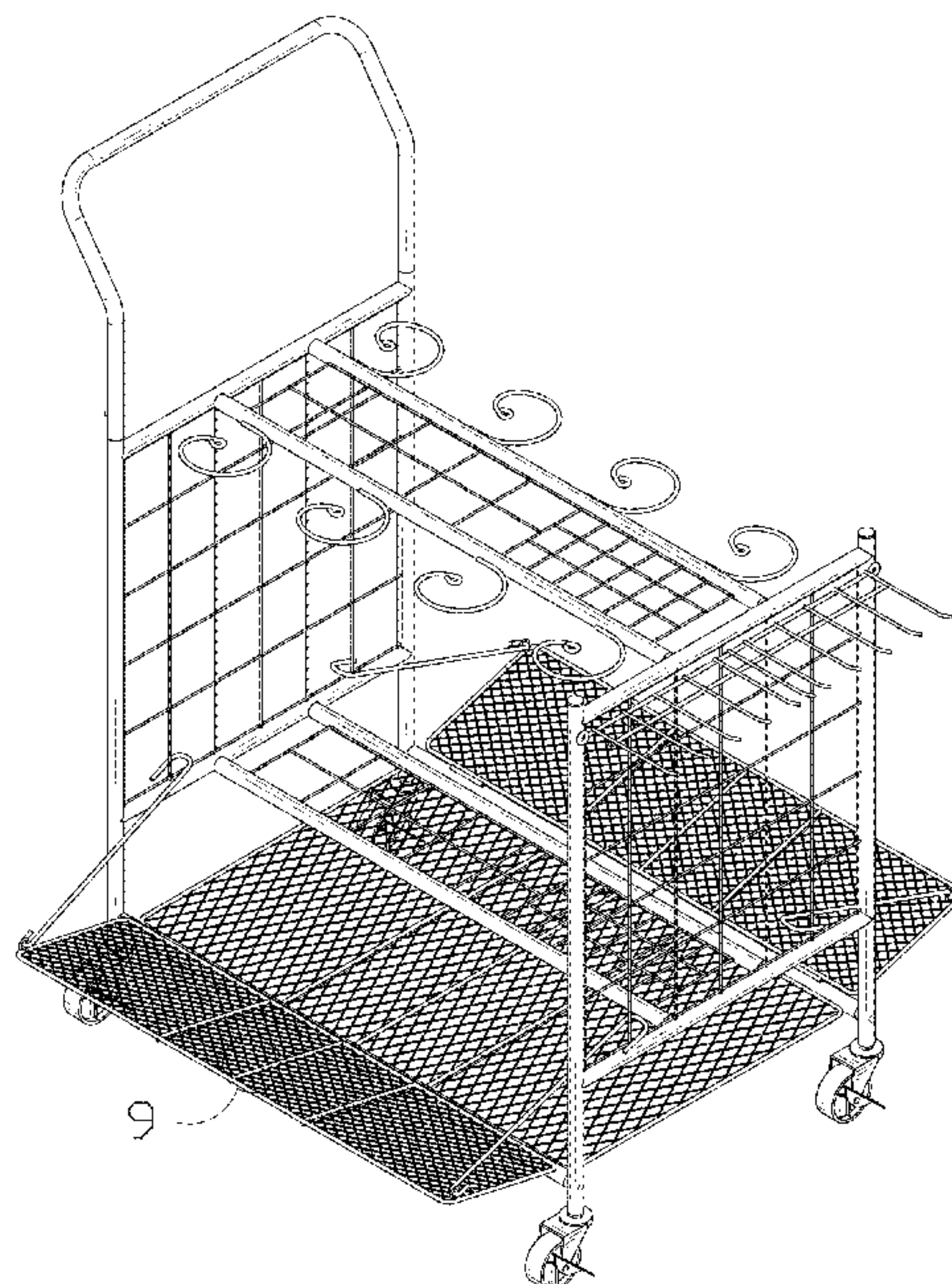
FIG. 8 is a bottom plan view thereof;

FIG. 9 is an enlarged view of portion 9 shown in FIG. 1; and,

FIG. 10 is a perspective view of the storage shelf shown in an alternate position.

The dot-dash broken lines shown in FIGS. 1 and 9 depict enlarged portions that form no part of the claimed design.

1 Claim, 10 Drawing Sheets



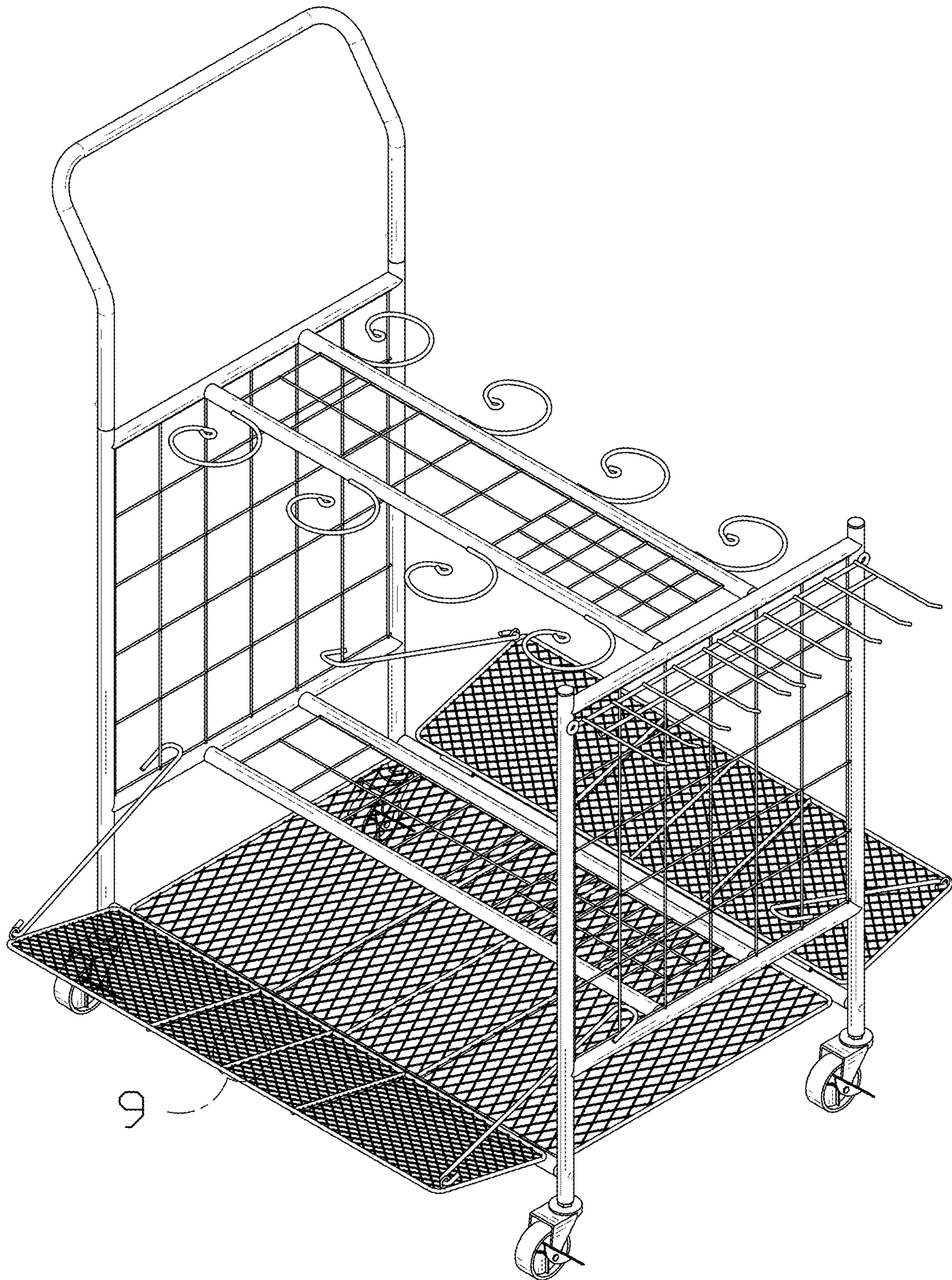


FIG. 1

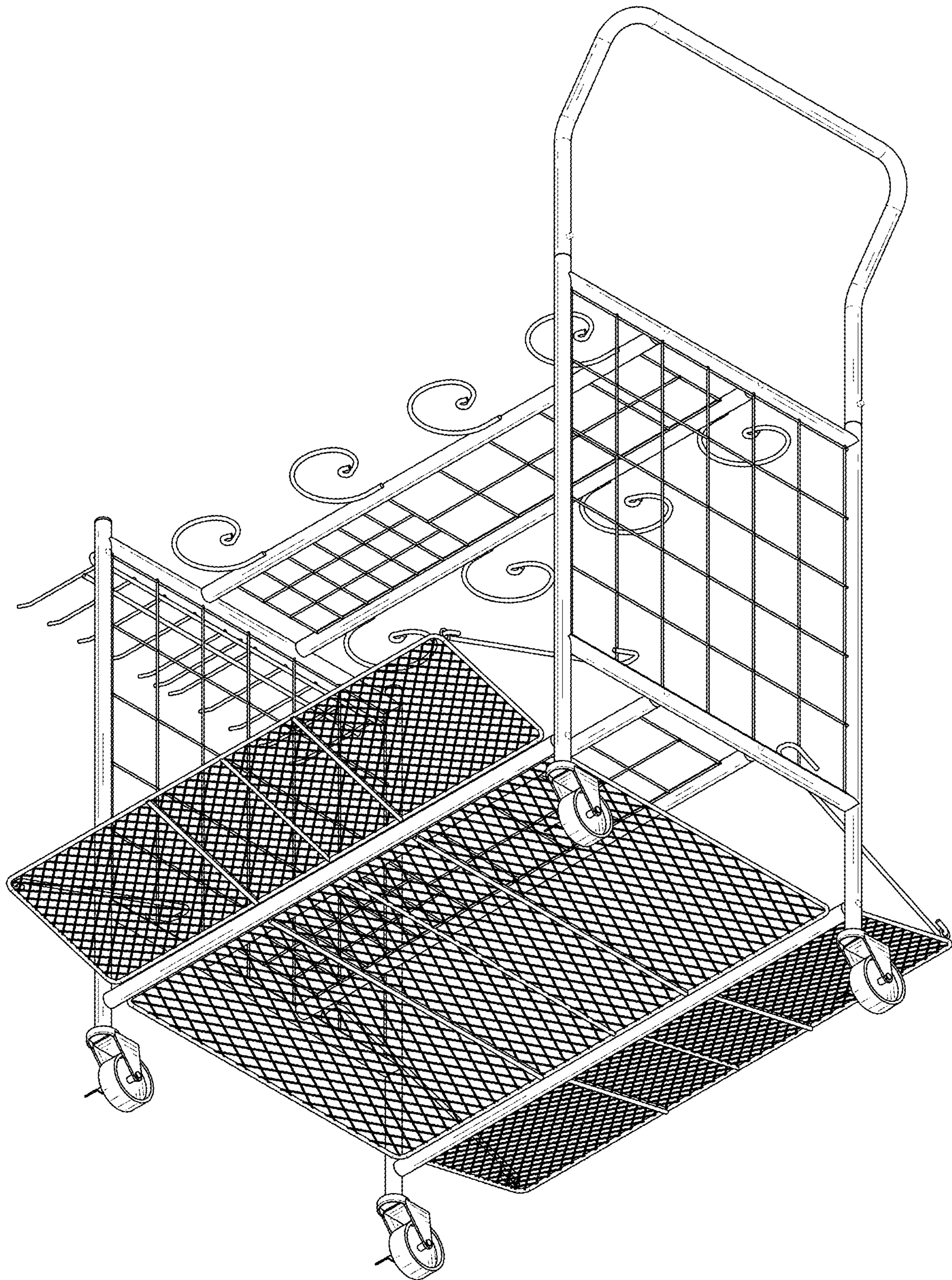


FIG. 2

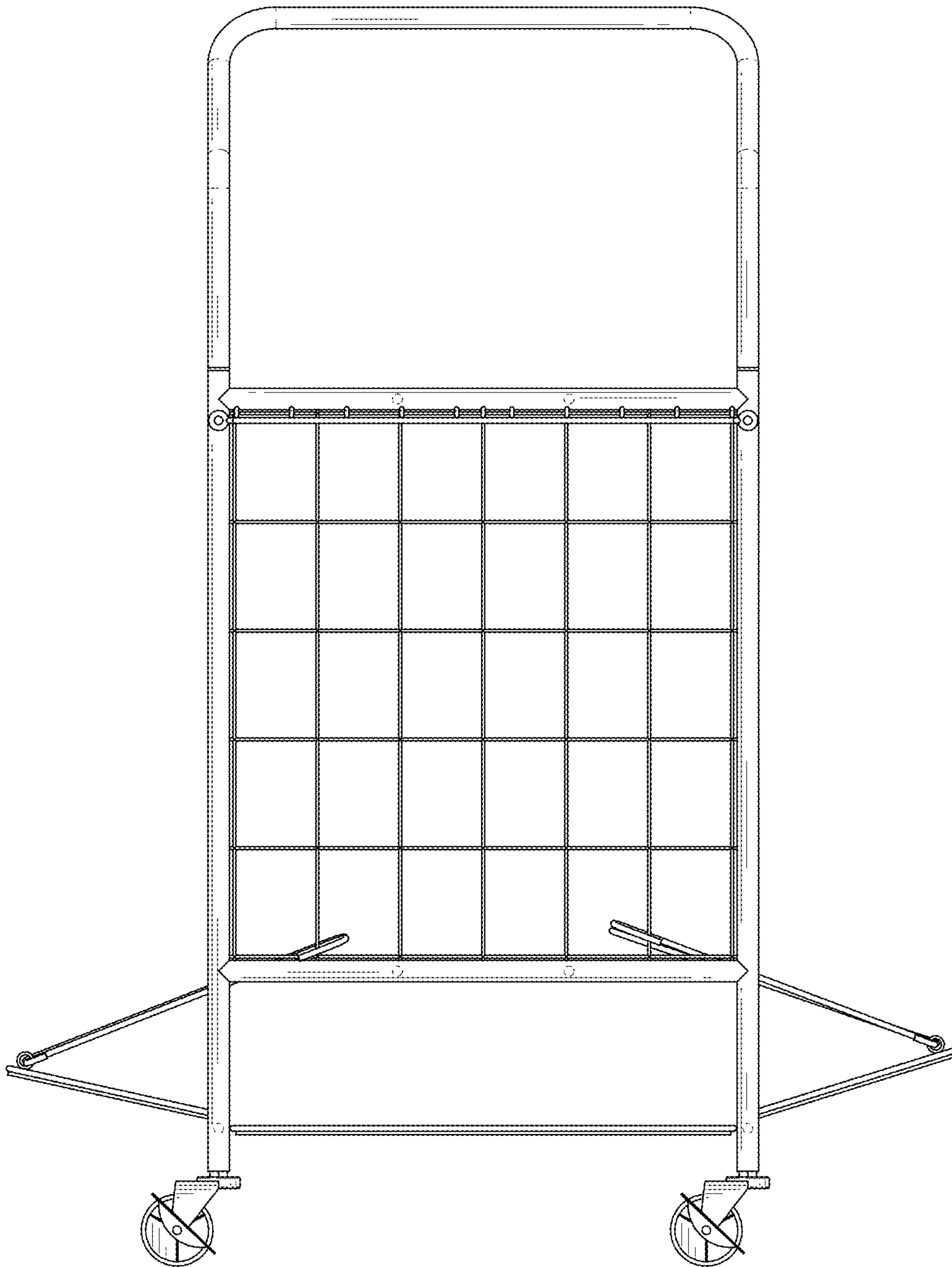


FIG. 3

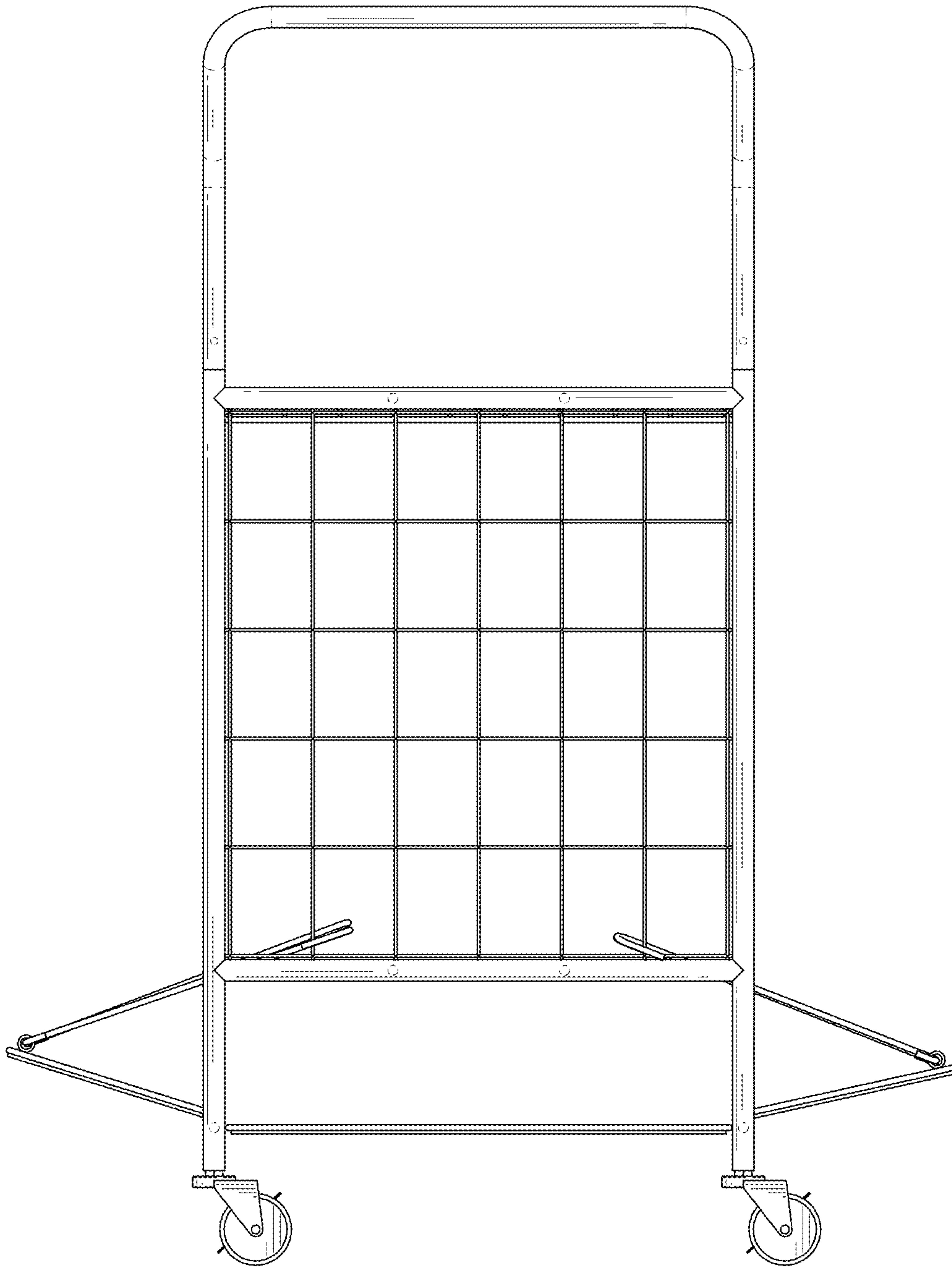


FIG. 4

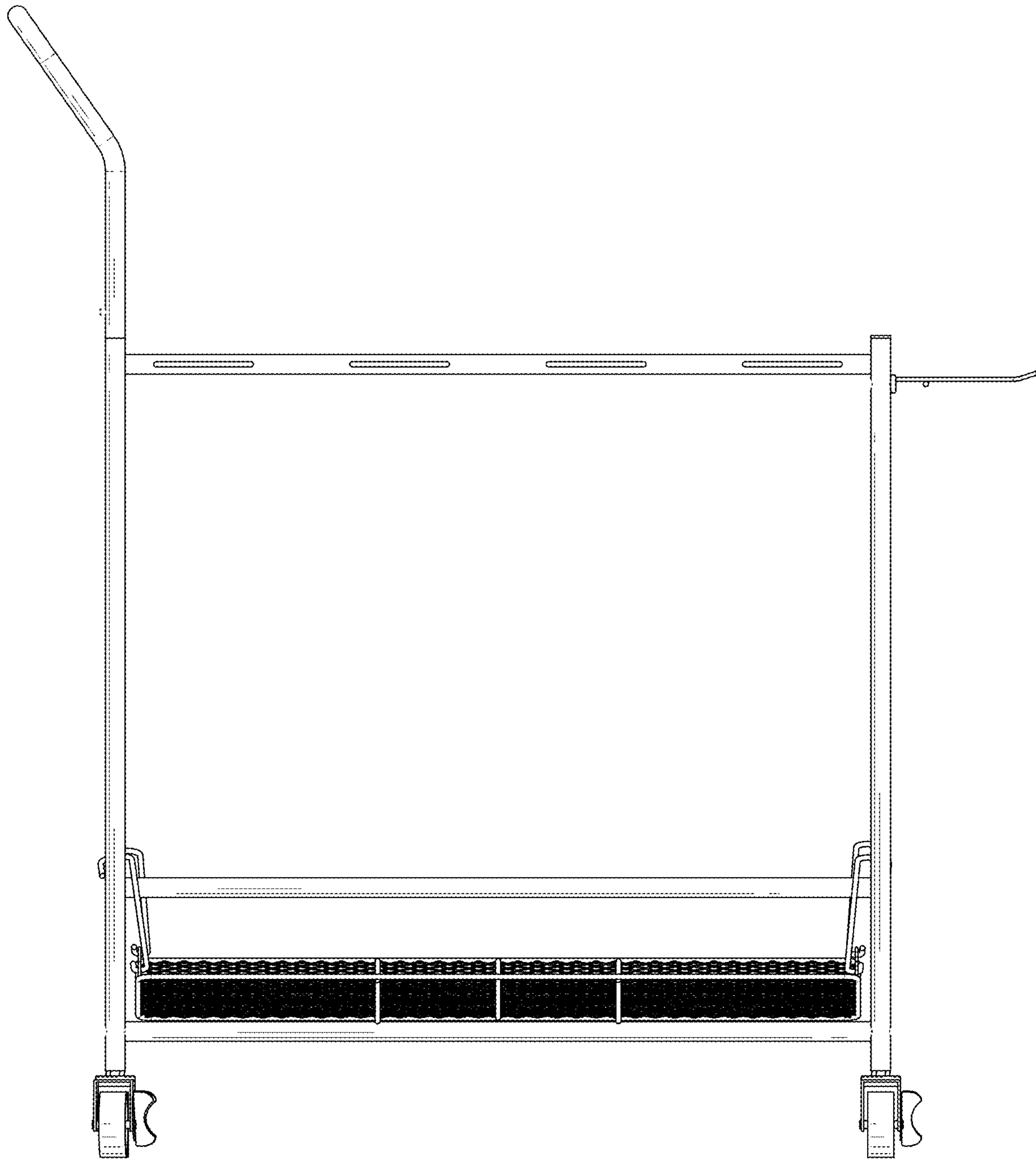


FIG. 5

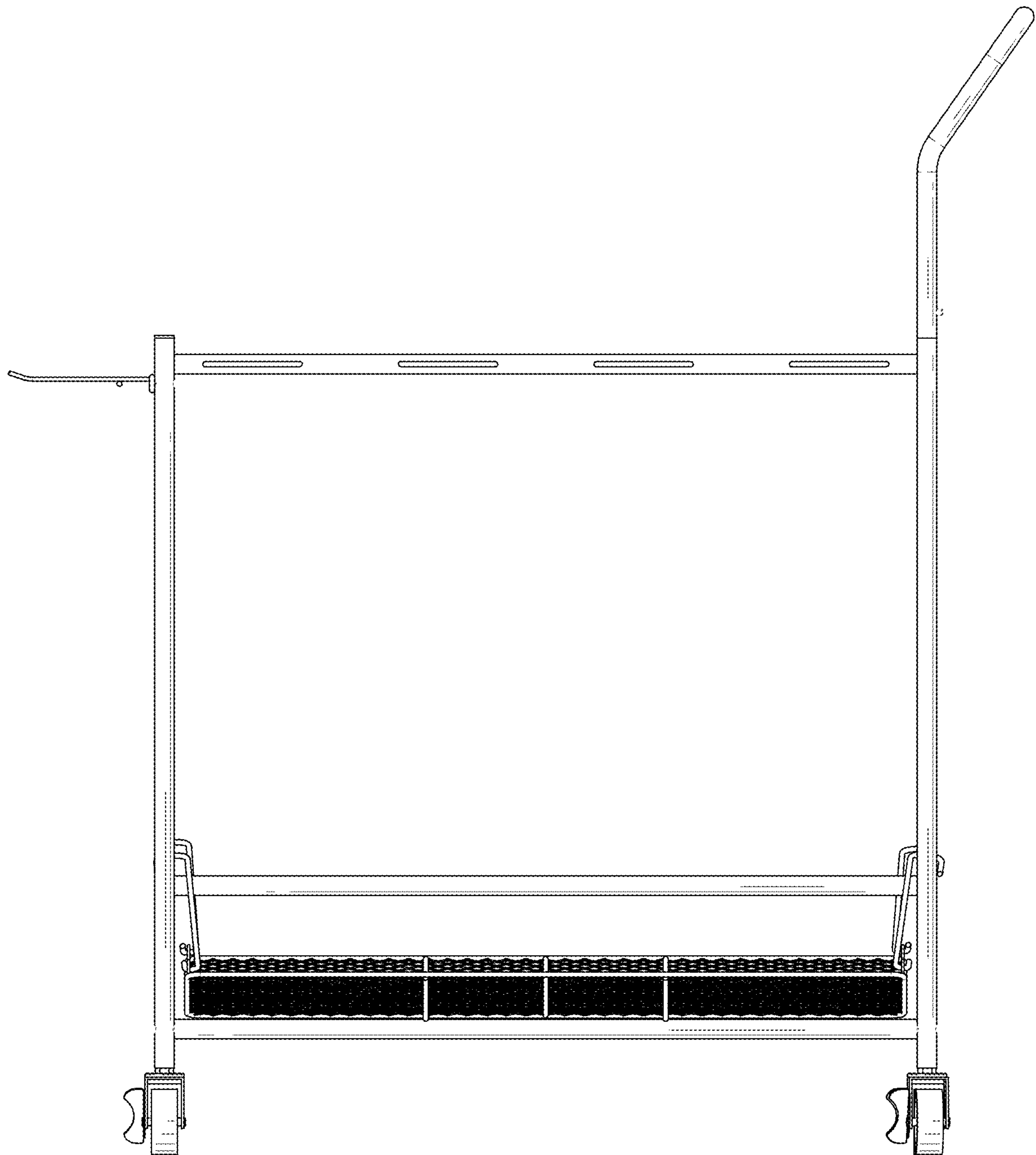


FIG. 6

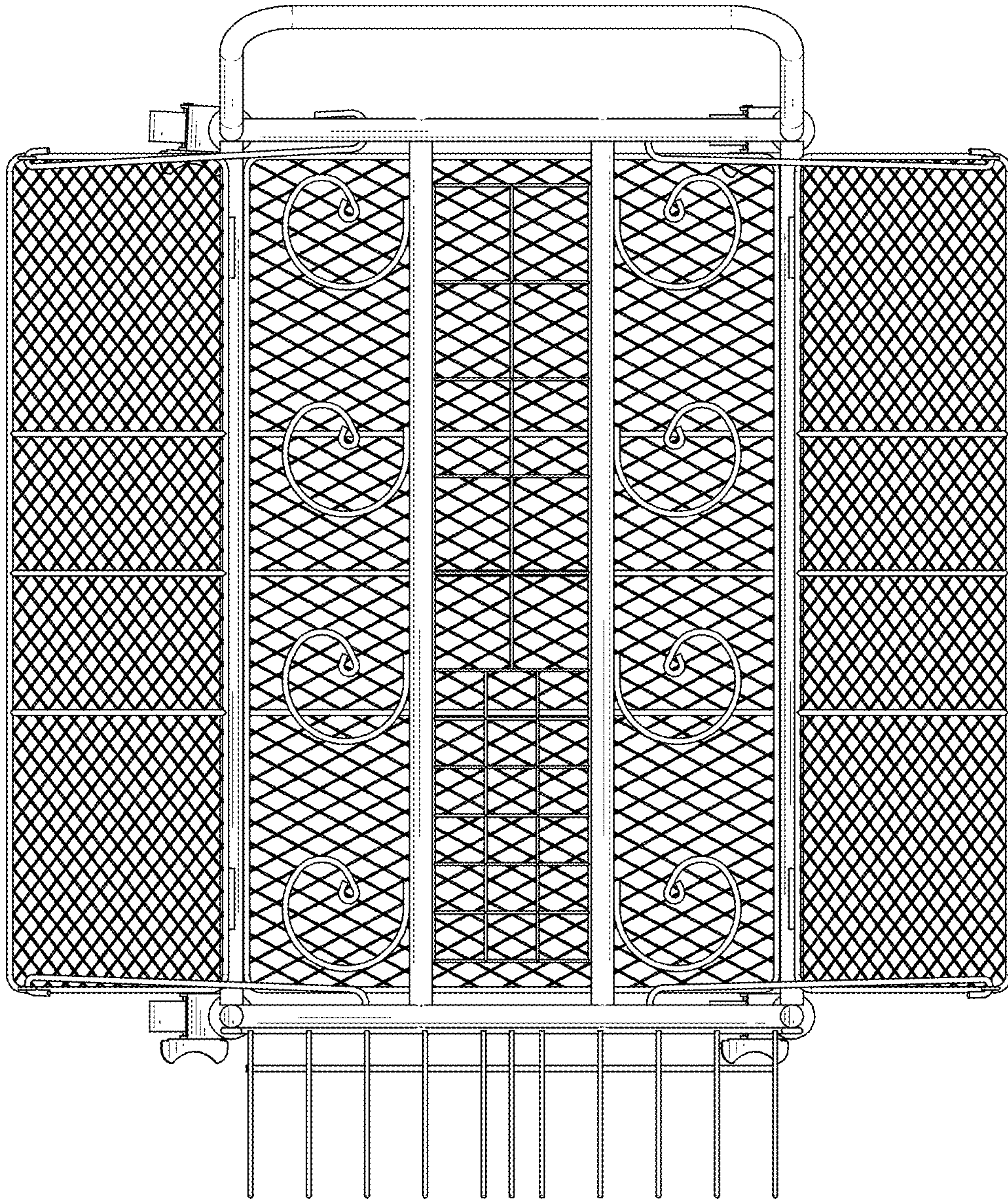


FIG. 7

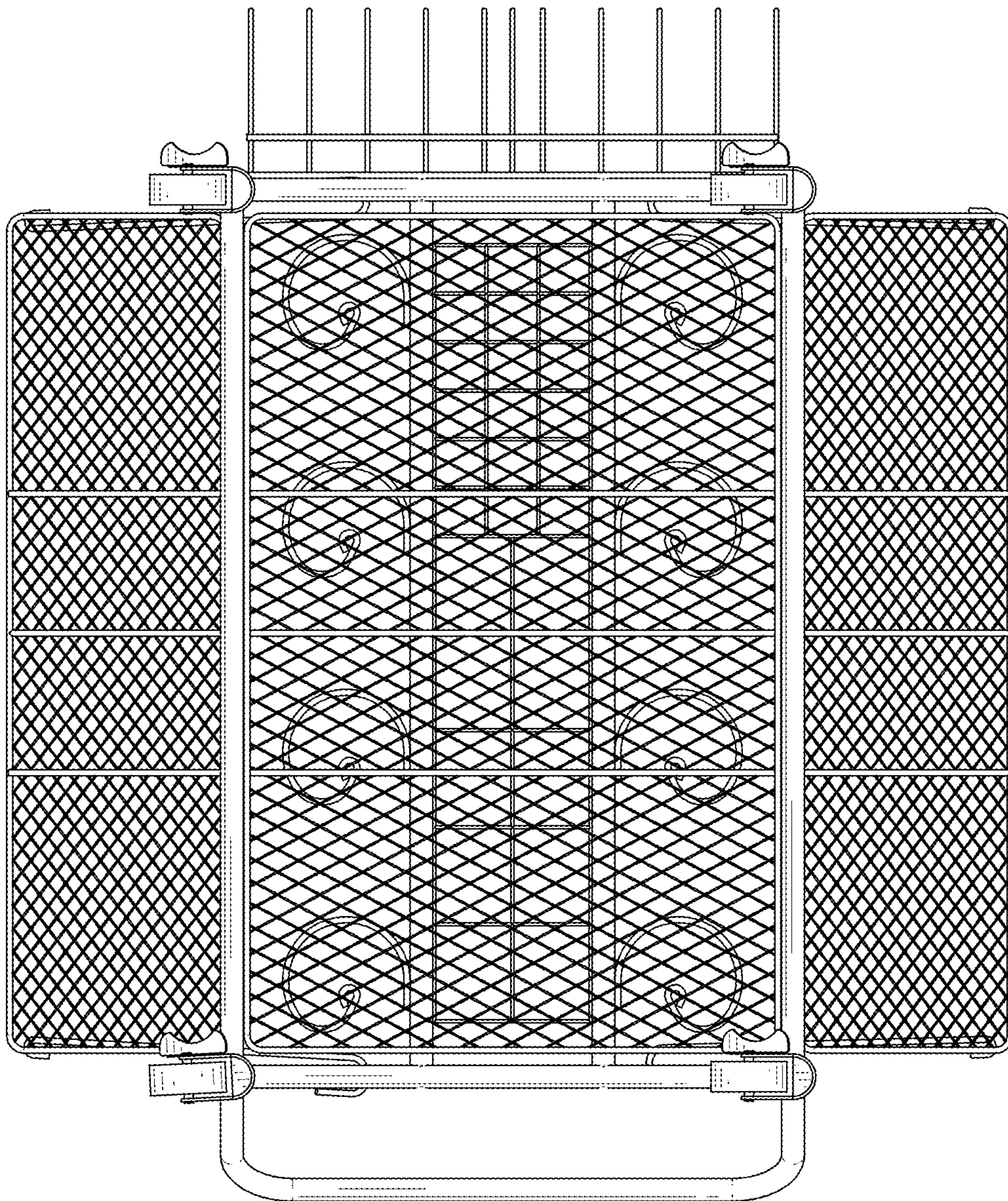


FIG. 8

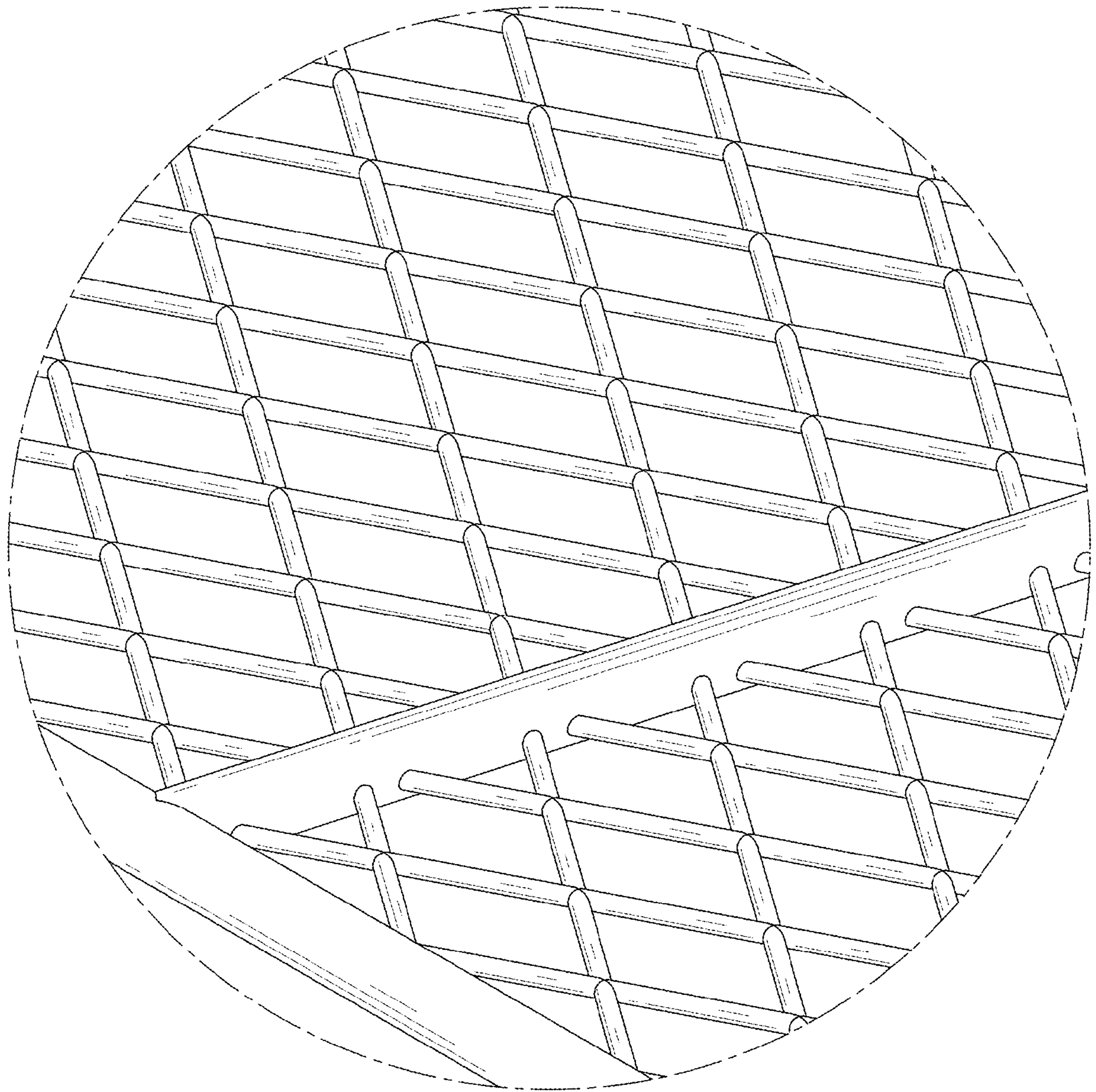


FIG. 9

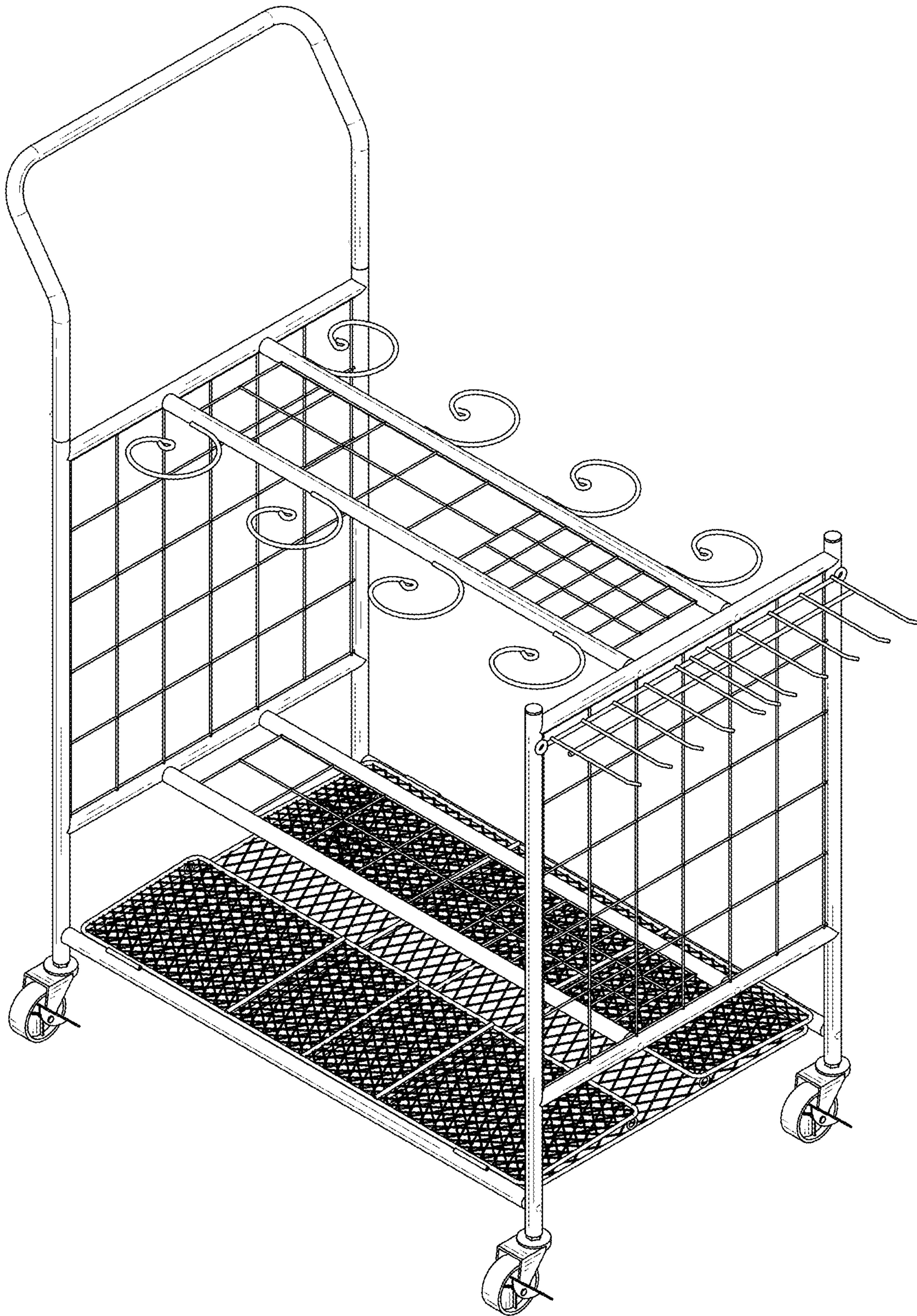


FIG. 10