

US00D967587S

(12) **United States Design Patent**  
**Jiang**

(10) **Patent No.:** **US D967,587 S**

(45) **Date of Patent:** **\*\* Oct. 18, 2022**

(54) **LONG HANDLE DUSTPAN**

(71) Applicant: **Jiaxing Bepal Technology Co., Ltd.**,  
Jiaxing (CN)

(72) Inventor: **Yan Jiang**, Jiaxing (CN)

(\*\*) Term: **15 Years**

(21) Appl. No.: **29/783,463**

(22) Filed: **May 13, 2021**

(51) **LOC (13) Cl.** ..... **07-05**

(52) **U.S. Cl.**  
USPC ..... **D32/74**

(58) **Field of Classification Search**  
USPC ..... D32/74, 41; D30/162; D7/691, 688;  
D4/116; 15/257.5, 257.3, 257.2, 257.1;  
134/6  
CPC ..... A47L 13/52; A47L 13/51; A46B 15/00;  
A46B 15/0097; A46B 15/0095; A46B  
17/04; A46B 5/00; A46B 2200/302  
See application file for complete search history.

(56) **References Cited**

**U.S. PATENT DOCUMENTS**

D342,358 S \* 12/1993 Castro ..... D32/74  
6,732,402 B1 \* 5/2004 Hsu ..... A47L 13/52  
D32/74

D551,820 S \* 9/2007 Morad ..... D32/74  
D677,849 S \* 3/2013 Petersen ..... D32/74  
D824,629 S \* 7/2018 Libman et al.  
D834,276 S \* 11/2018 Gregory ..... D32/74  
D845,574 S \* 4/2019 Martino ..... D32/74  
D882,902 S \* 4/2020 Schouten ..... D32/74  
D912,359 S \* 3/2021 Jiang ..... D32/74  
D930,931 S \* 9/2021 Yu ..... D32/74

\* cited by examiner

*Primary Examiner* — Austin Murphy

(74) *Attorney, Agent, or Firm* — Rumit Ranjit Kanakia

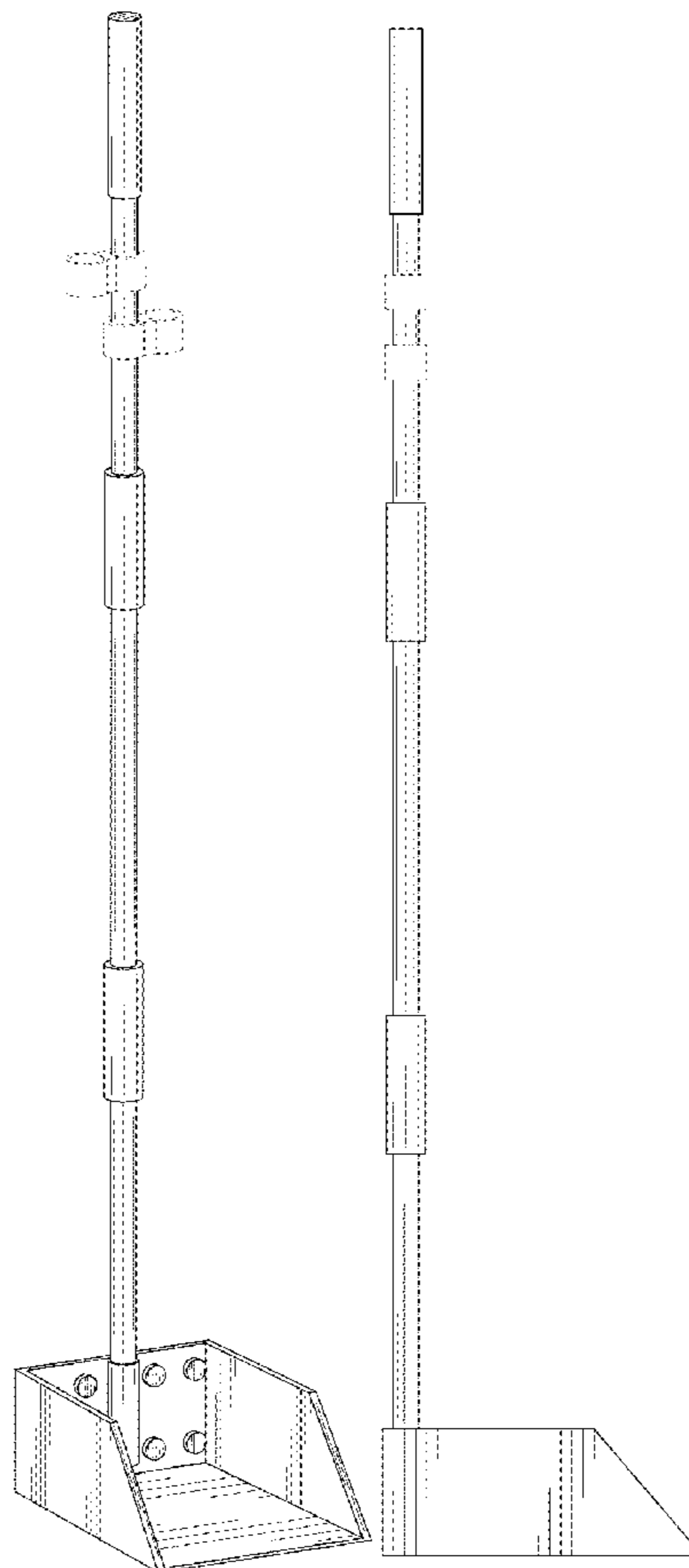
(57) **CLAIM**

I claim the ornamental design for a long handle dustpan, as shown and described.

**DESCRIPTION**

FIG. 1 is a Perspective view of a long handle dustpan showing my new design;  
FIG. 2 is a Front view thereof;  
FIG. 3 is a Back view thereof;  
FIG. 4 is a Right-side view thereof;  
FIG. 5 is a Left-side view thereof;  
FIG. 6 is a Top view thereof; and,  
FIG. 7 is a Bottom view thereof.  
The broken lines in the drawings depict portions of the long handle dustpan that form no part of the claimed design.

**1 Claim, 5 Drawing Sheets**



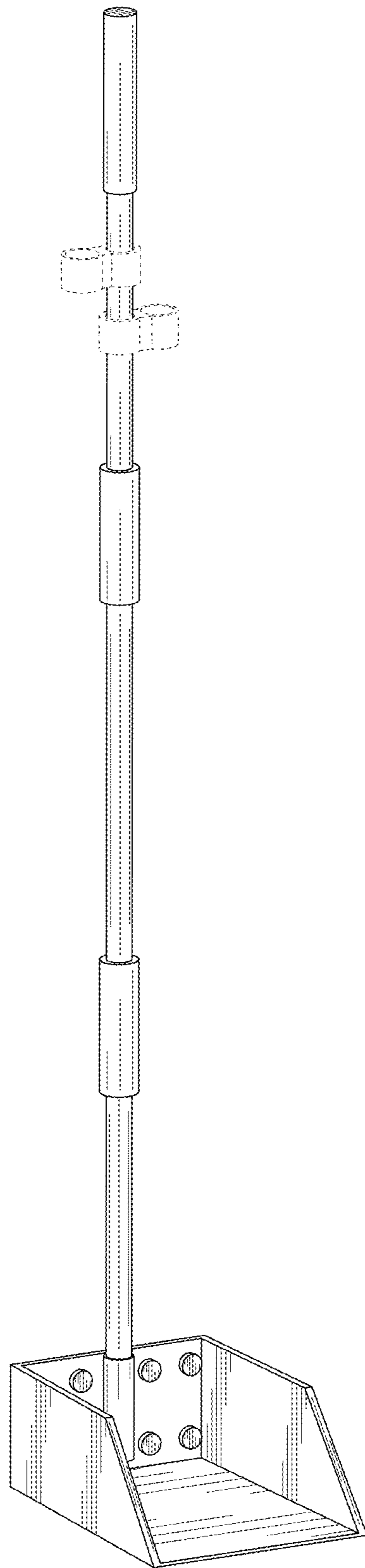


FIG. 1

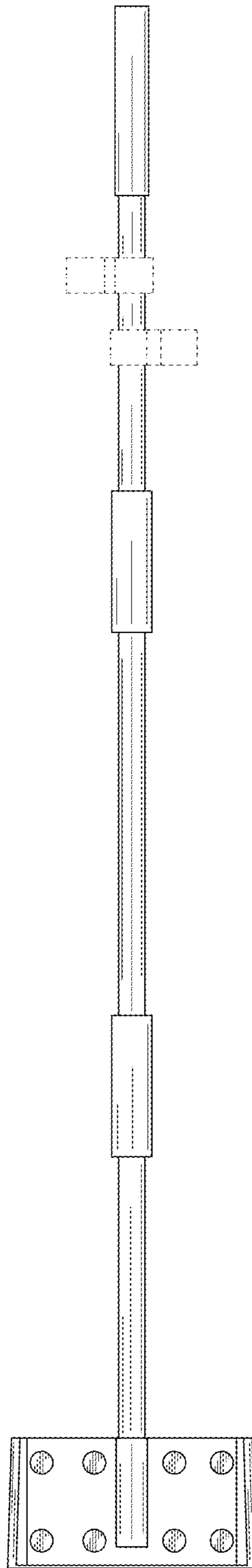


FIG. 2

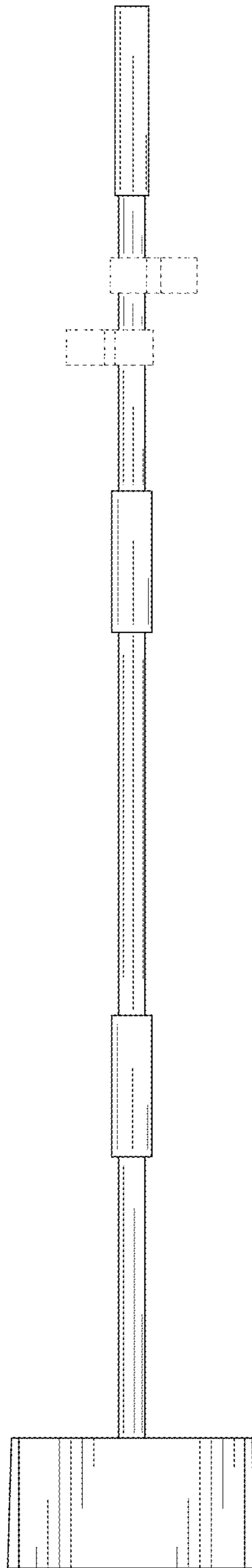


FIG. 3

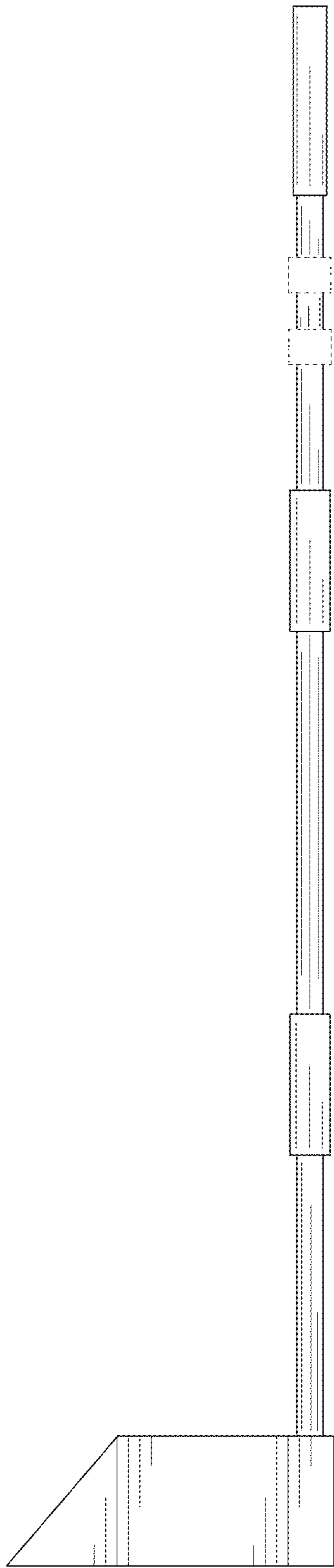


FIG. 4

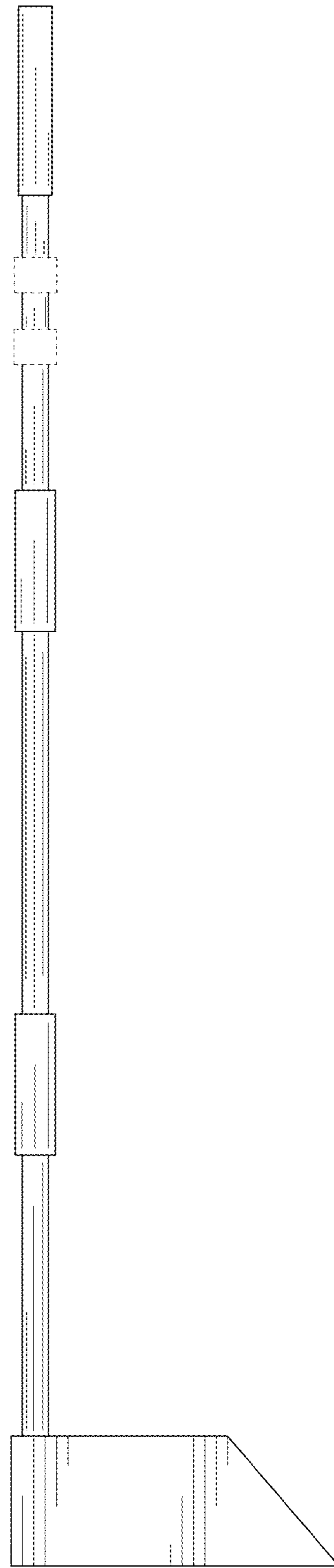


FIG. 5

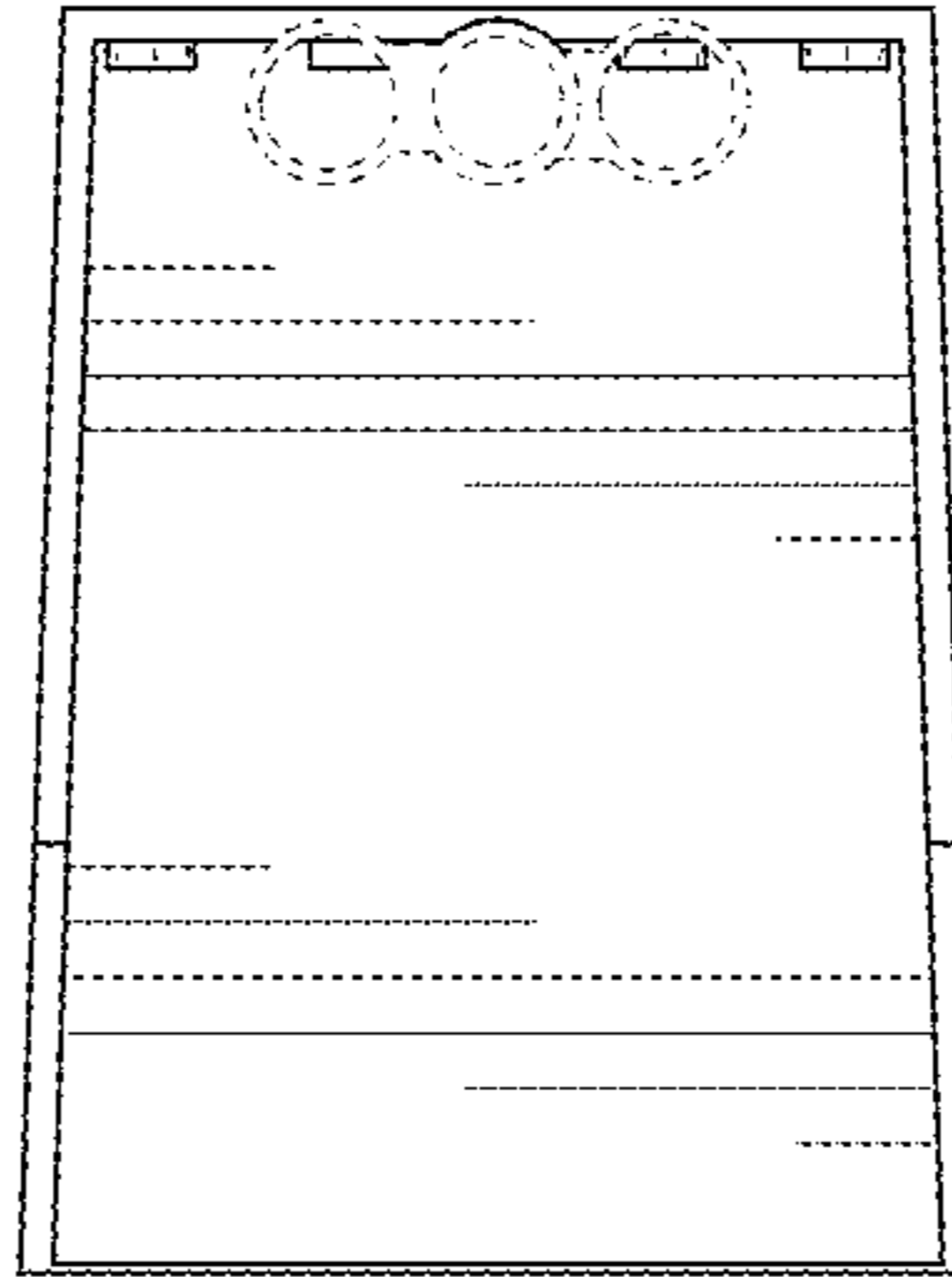


FIG. 6

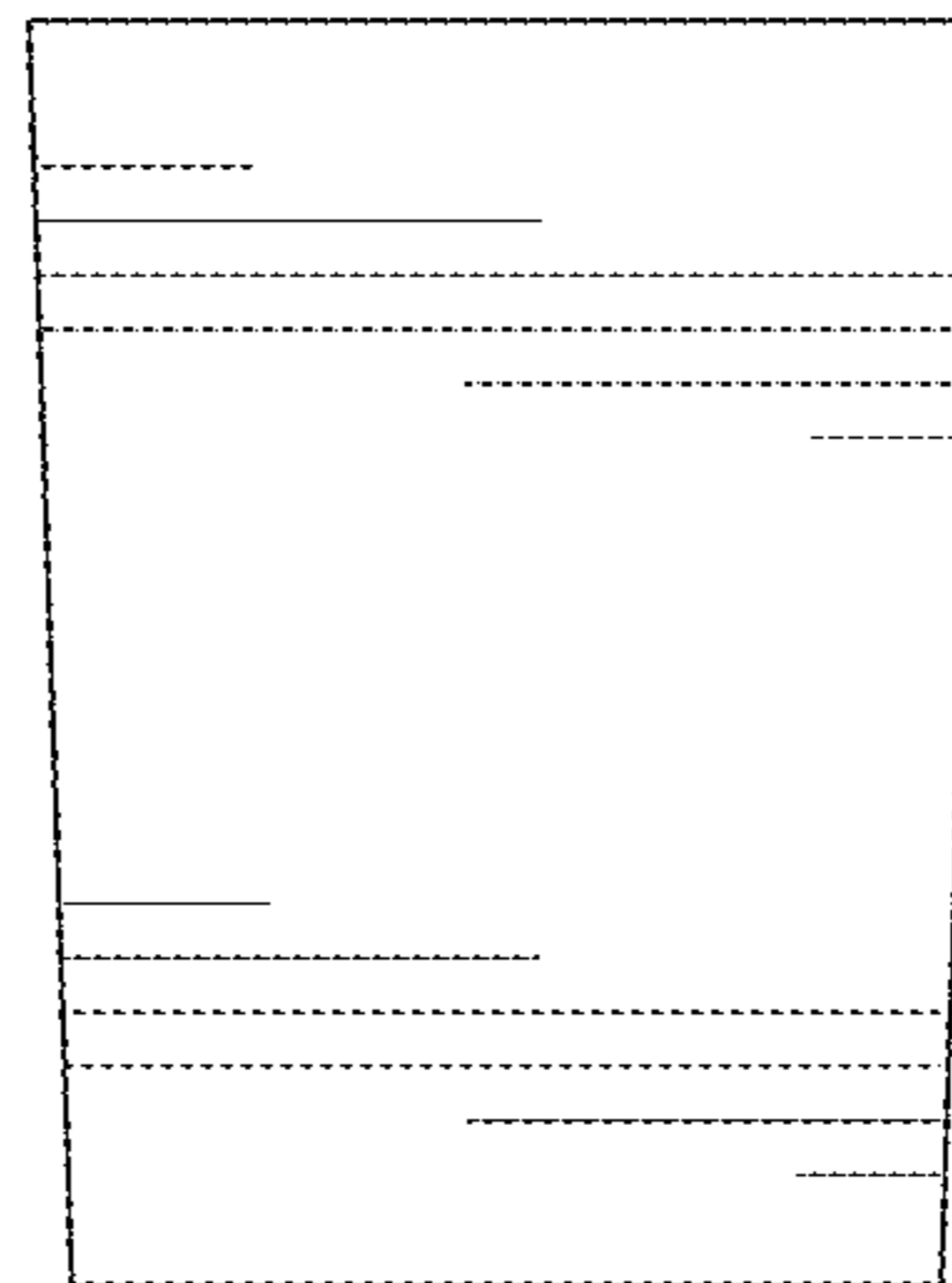


FIG. 7