



US00D967586S

(12) **United States Design Patent** (10) **Patent No.:** **US D967,586 S**
Doyle (45) **Date of Patent:** **** Oct. 18, 2022**

(54) **SOCK JOINING APPARATUS**
(71) Applicant: **Gabriela Doyle**, Nogales, AZ (US)
(72) Inventor: **Gabriela Doyle**, Nogales, AZ (US)
(**) Term: **15 Years**

2012/0283846 A1* 11/2012 Janssen A61F 2/60
156/305
2012/0290102 A1* 11/2012 Mahoney A61F 5/0106
623/32
2013/0204397 A1* 8/2013 Nordman, Jr. A61F 2/60
623/53
2018/0055659 A1* 3/2018 Sandahl A61F 2/68
2022/0087461 A1* 3/2022 Doyle A47G 25/00

(21) Appl. No.: **29/652,568**
(22) Filed: **Sep. 22, 2020**
(51) **LOC (13) Cl.** **07-05**
(52) **U.S. Cl.**
USPC **D32/59; D32/1**
(58) **Field of Classification Search**
USPC D6/316; D32/1, 14.1, 35, 58-63
CPC A47G 25/00; A61F 2/78; A61F 2/80
See application file for complete search history.

OTHER PUBLICATIONS

Fillauer.com K2 Foot <https://fillauer.com/products/k2-foot/> (Year: 2022).*
made-in-china.com China Artificial Limb Prosthetics Sach Foot <https://www.made-in-china.com/showroom/aosuotrade/product-detailOMYQpCPrYdAm/China-Artificial-Limb-Prosthetics-Sach-Foot-Prosthetic-Leg-Feet.html> (Year: 2022).*

* cited by examiner

Primary Examiner — Kevin K Rudzinski
Assistant Examiner — Richard E Yenchesky
(74) *Attorney, Agent, or Firm* — University of Arizona IP Clinic

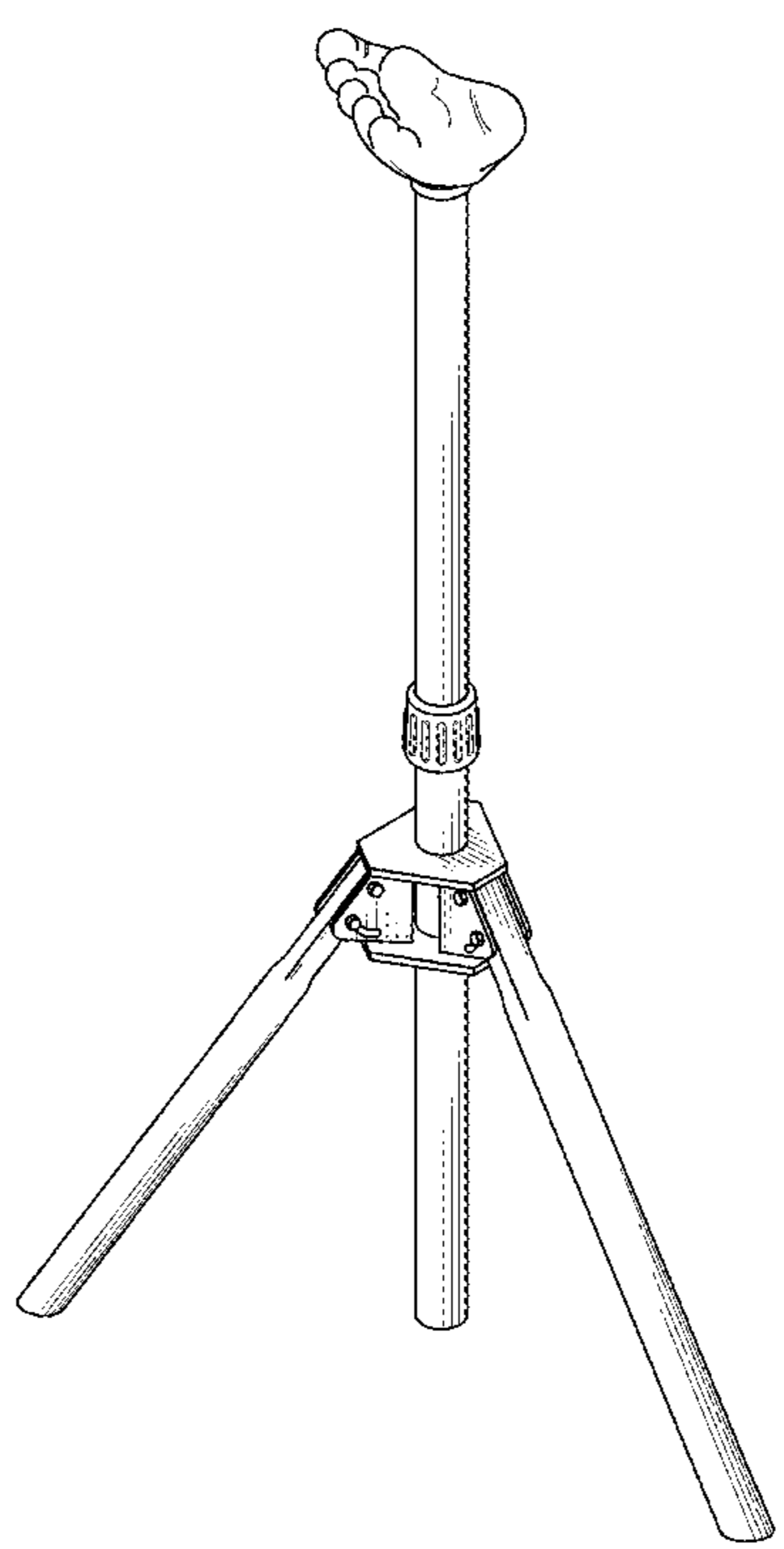
(56) **References Cited**
U.S. PATENT DOCUMENTS
2,453,183 A * 11/1948 Bersudsky D06F 59/06
223/77
D221,798 S * 9/1971 Merritt D32/59
4,676,801 A * 6/1987 Lundeen A61F 5/14
623/53
D585,169 S * 1/2009 Barzegar D32/58
D652,636 S * 1/2012 Kalinsky D6/316
8,955,234 B2 * 2/2015 Williams F26B 21/001
68/5 D
D764,134 S * 8/2016 Waller D32/58
D764,135 S * 8/2016 Waller D32/58
D783,918 S * 4/2017 Waller D32/58
9,763,808 B2 * 9/2017 Jonsson A61F 2/60
D950,205 S * 5/2022 Lin D2/947
11,376,139 B2 * 7/2022 Sandahl A61F 2/64

(57) **CLAIM**
The ornamental design for a sock joining apparatus, as shown and described.

DESCRIPTION

FIG. 1 is a perspective view of the sock joining apparatus; FIG. 2 is a front elevational view of the apparatus in FIG. 1; FIG. 3 is a back elevational view of the apparatus in FIG. 2; FIG. 4 is a right elevational view of the apparatus in FIG. 2; FIG. 5 is a left elevational view of the apparatus in FIG. 2; FIG. 6 is a top plan view of the apparatus in FIG. 3; and, FIG. 7 is a bottom plan view of the apparatus in FIG. 3.

1 Claim, 7 Drawing Sheets



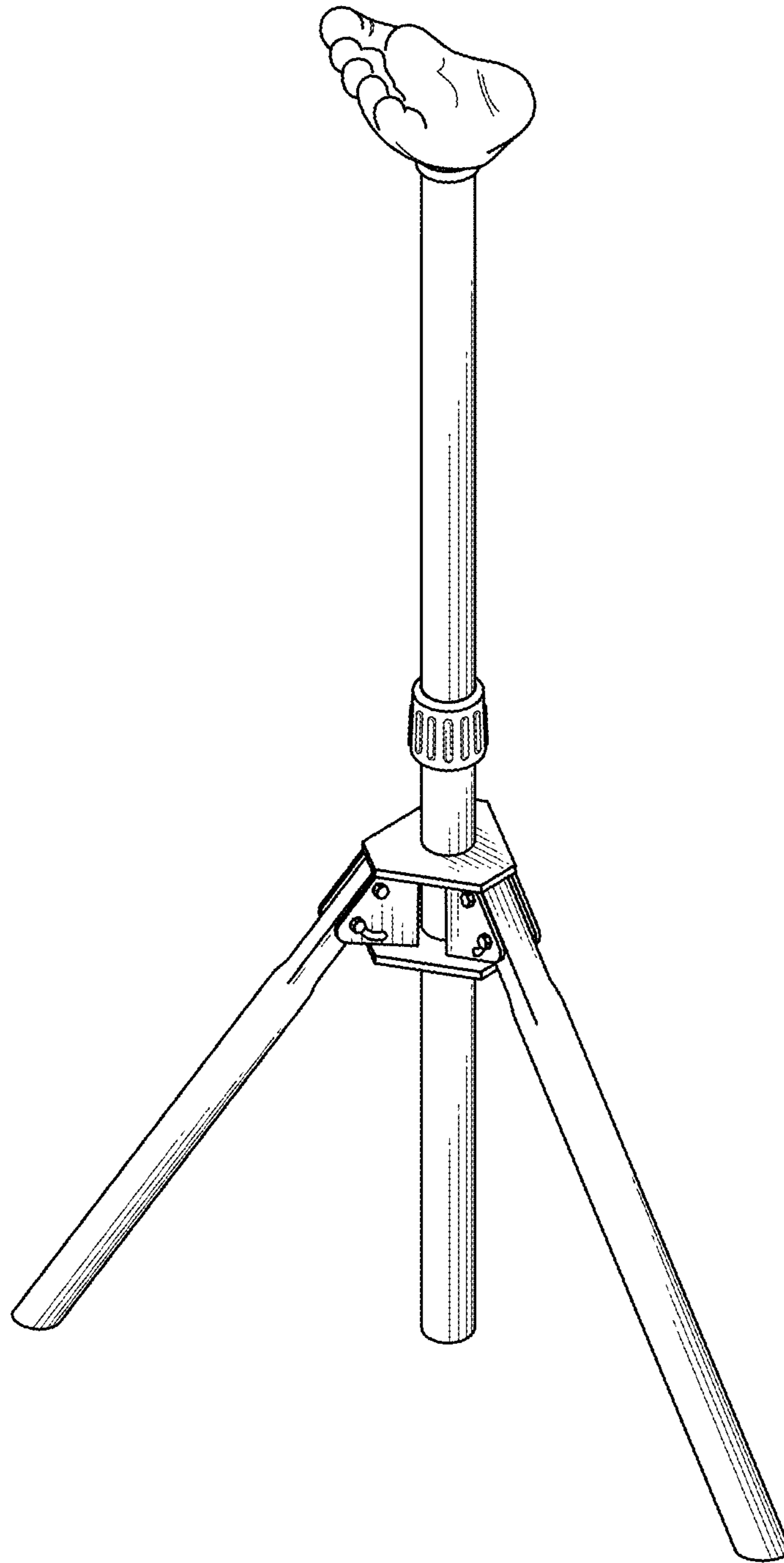


FIG. 1

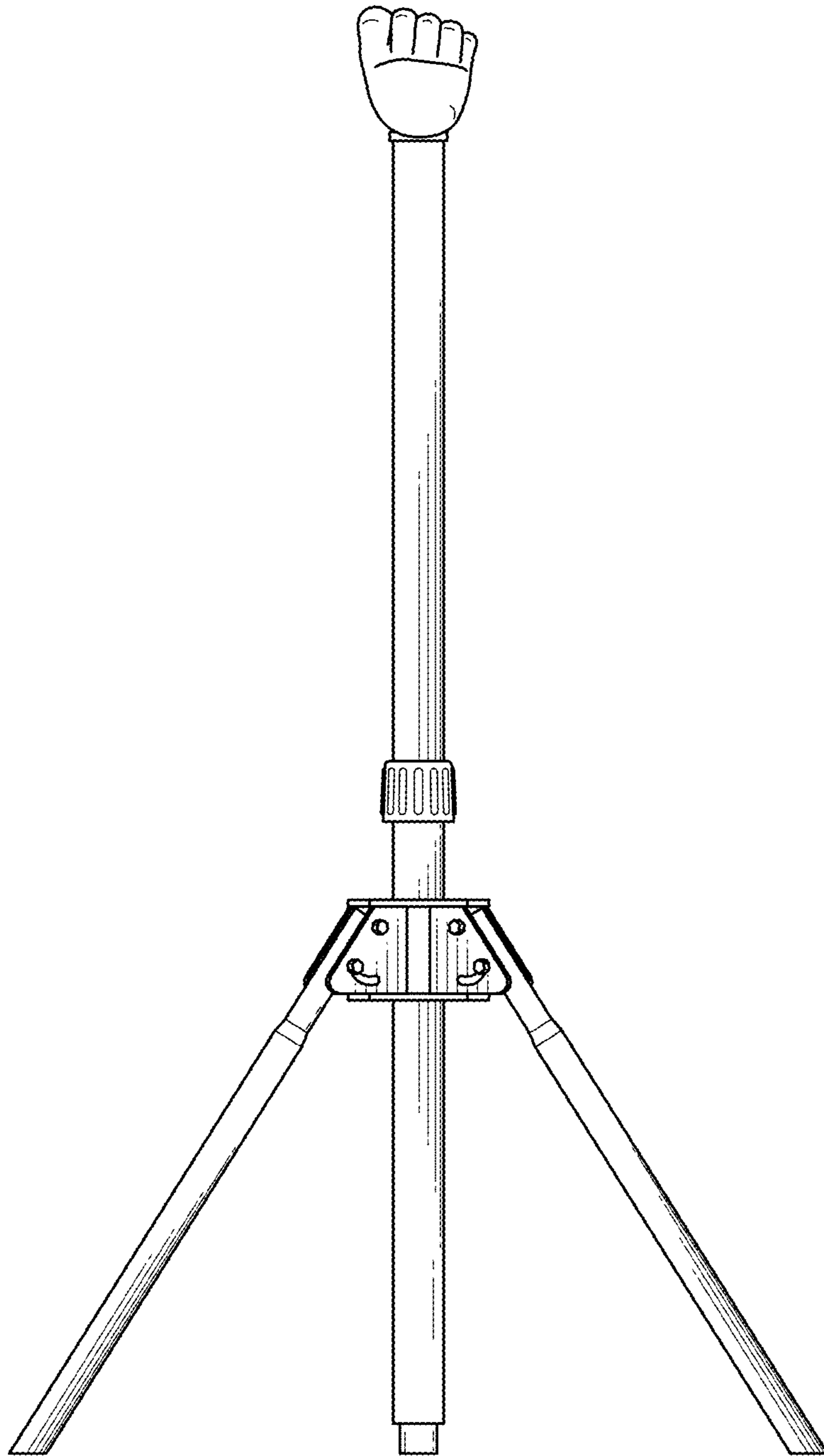


FIG. 2

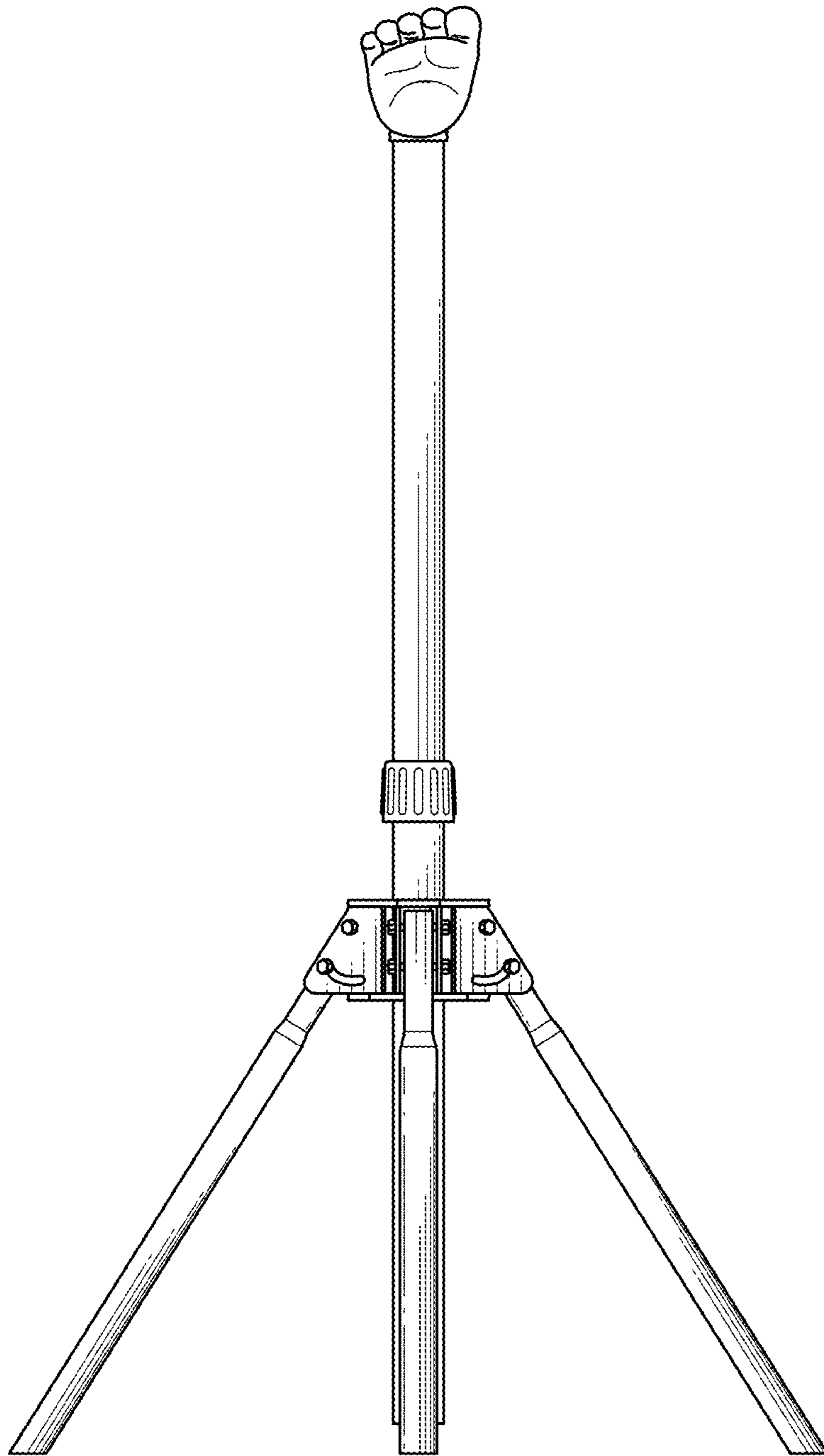


FIG. 3

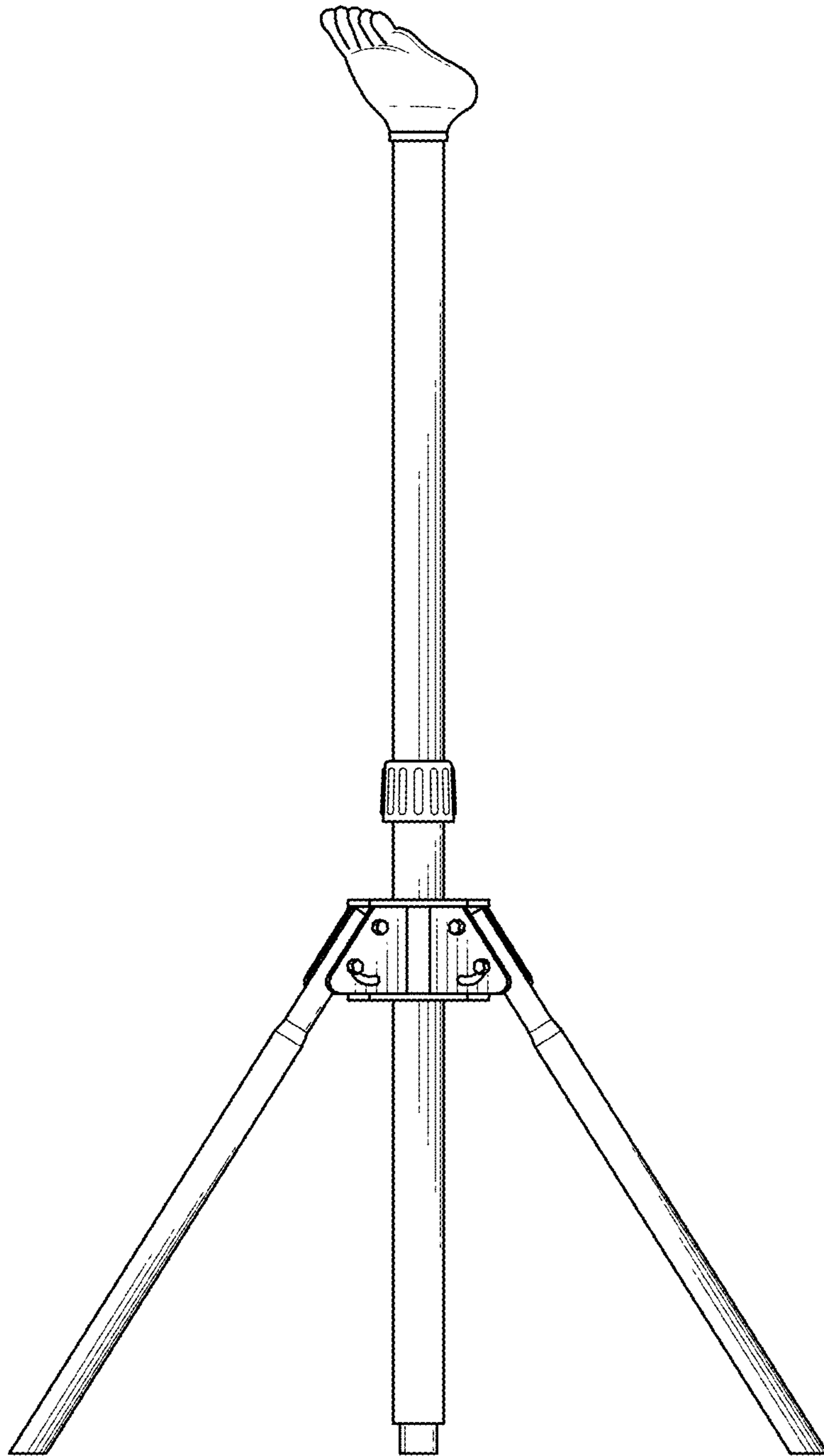


FIG. 4

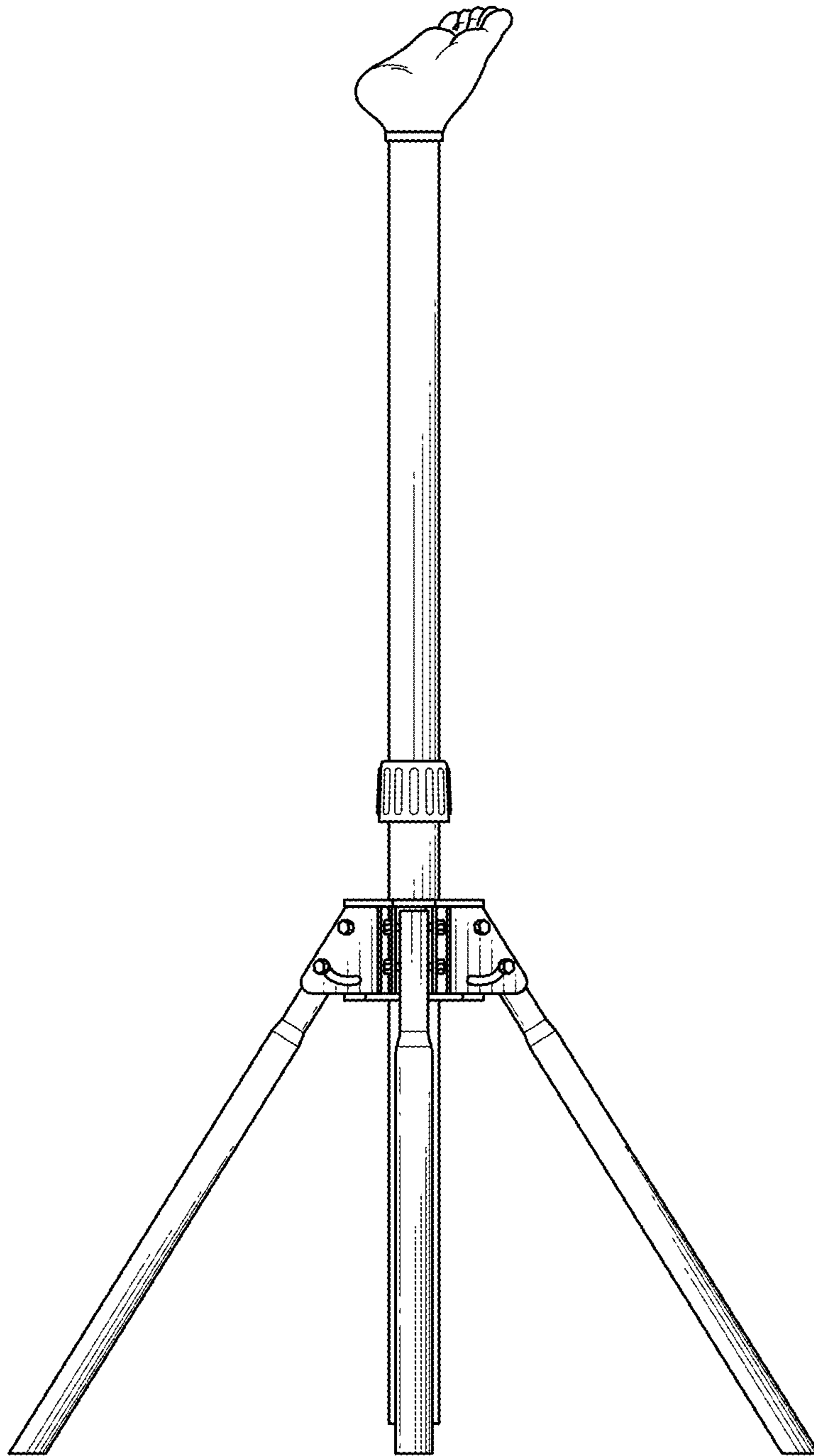


FIG. 5

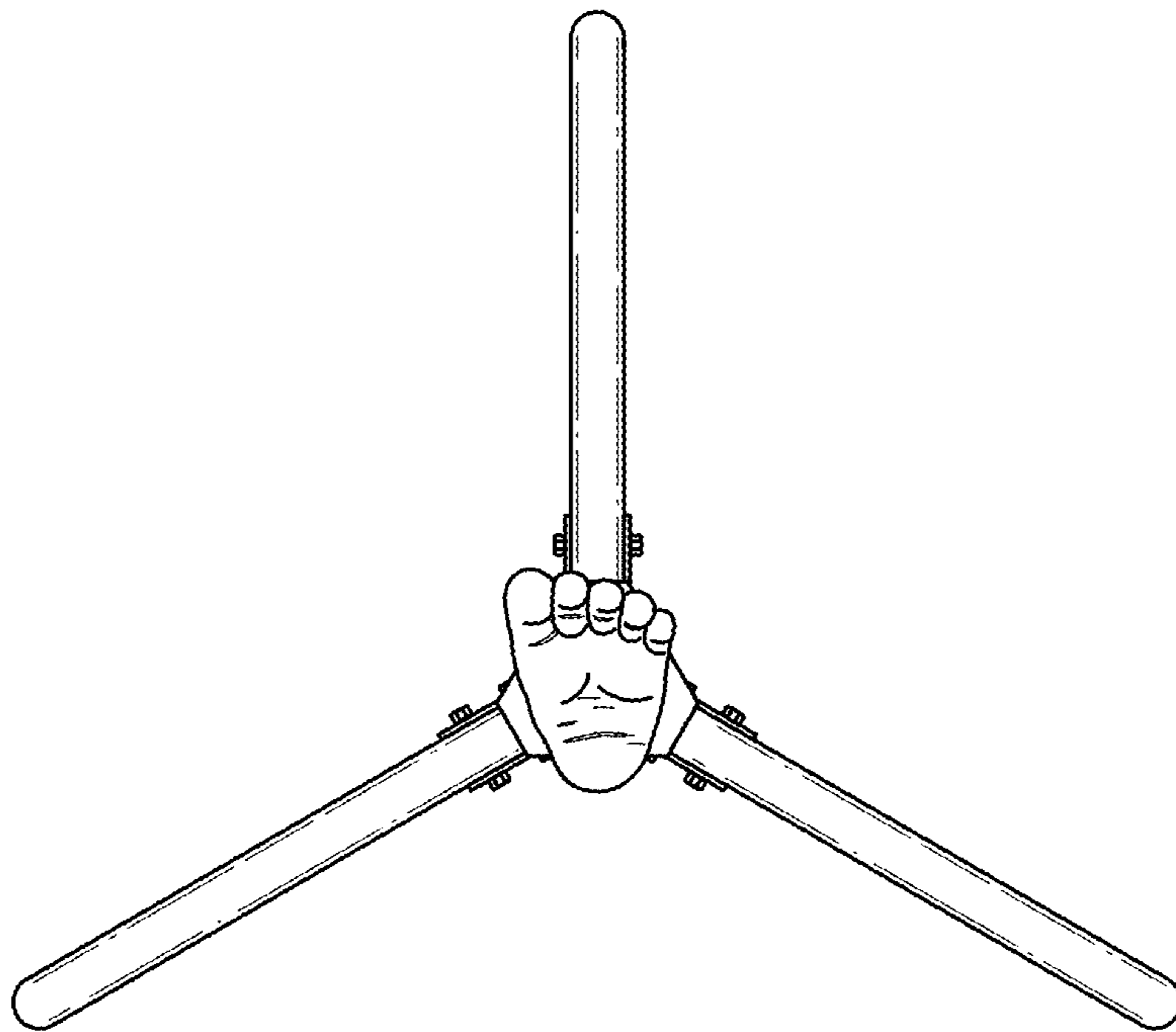


FIG. 6

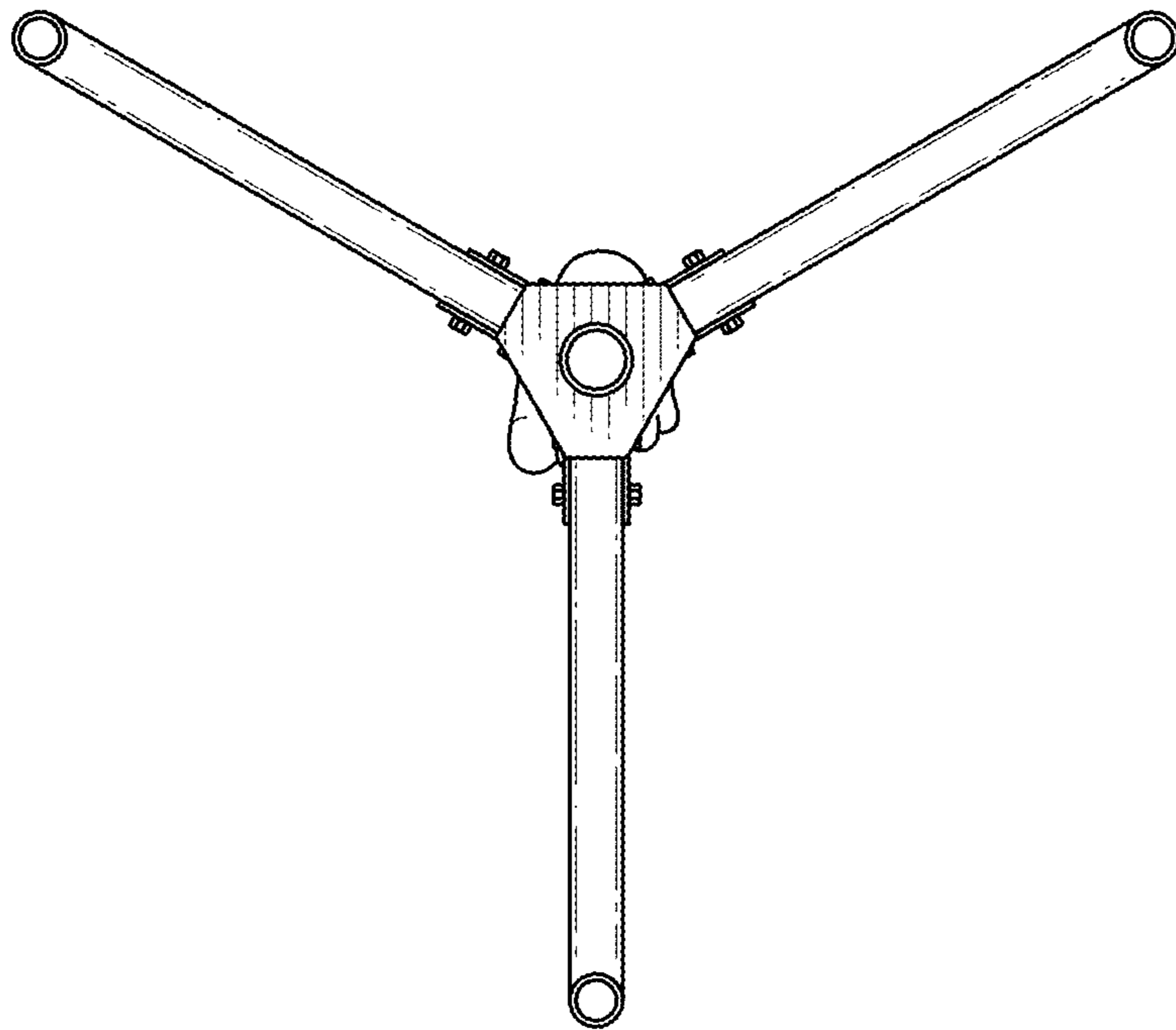


FIG. 7