



US00D967584S

(12) **United States Design Patent**
Liu

(10) **Patent No.:** **US D967,584 S**

(45) **Date of Patent:** **** Oct. 18, 2022**

(54) **SINK RACK**

(71) Applicant: **Yong Liu**, Guangdong (CN)

(72) Inventor: **Yong Liu**, Guangdong (CN)

(**) Term: **15 Years**

(21) Appl. No.: **29/838,196**

(22) Filed: **May 11, 2022**

(51) **LOC (13) Cl.** **07-05**

(52) **U.S. Cl.**
USPC **D32/55**

(58) **Field of Classification Search**
USPC D32/55, 276, 3; D6/510, 525; D30/133;
211/41.5, 41.4, 41.3, 41.8; 361/679.4;
312/311, 333, 334.4; D7/354, 629
CPC .. A47L 15/505; A47L 15/503; A47L 15/0013;
A47L 19/02; A47L 19/04; A47J 47/20
See application file for complete search history.

(56) **References Cited**

U.S. PATENT DOCUMENTS

| | | | | |
|--------------|---------|-------|-------|--------|
| D755,459 S * | 5/2016 | Erby | | D32/56 |
| D776,387 S * | 1/2017 | Chen | | D32/56 |
| D783,216 S * | 4/2017 | Huang | | D32/55 |
| D820,543 S * | 6/2018 | Huang | | D32/55 |
| D874,775 S * | 2/2020 | Xie | | D32/55 |
| D887,098 S * | 6/2020 | Li | | D32/55 |
| D903,216 S | 11/2020 | Xie | | |

| | | | | |
|--------------|--------|---------|-------|--------|
| D915,707 S * | 4/2021 | Li | | D32/55 |
| D915,708 S * | 4/2021 | Tang | | D32/55 |
| D921,318 S * | 6/2021 | Ling | | D32/55 |
| D921,319 S * | 6/2021 | Xie | | D32/55 |
| D921,320 S * | 6/2021 | Hu | | D32/55 |
| D925,852 S * | 7/2021 | XiangZe | | D32/55 |
| D957,779 S * | 7/2022 | Zang | | D32/55 |

* cited by examiner

Primary Examiner — Austin Murphy

(74) *Attorney, Agent, or Firm* — Che-Yang Chen; Law Office of Michael Chen

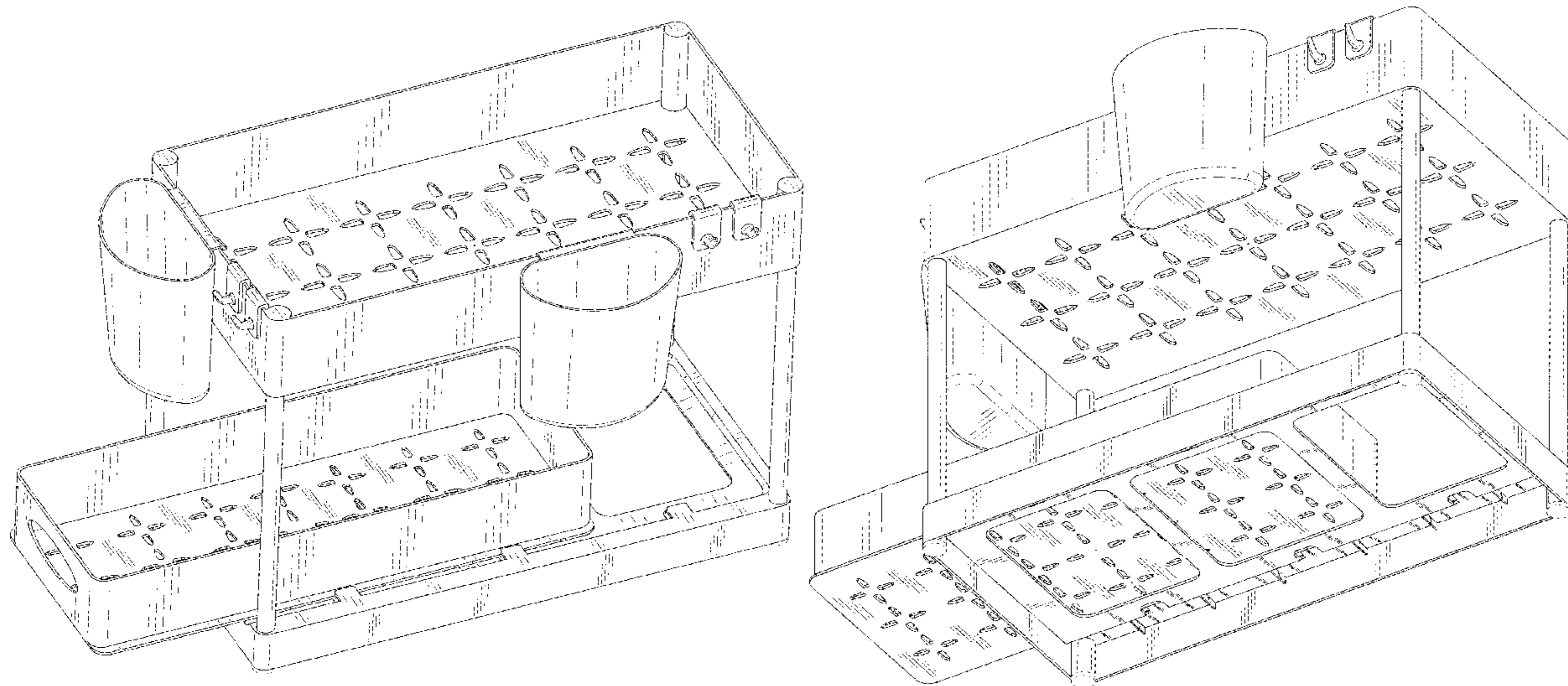
(57) **CLAIM**

The ornamental design for a sink rack, as shown and described.

DESCRIPTION

FIG. 1 is a perspective view of the sink rack showing my new design;
FIG. 2 is a perspective view thereof from another angle;
FIG. 3 is a front elevational view thereof;
FIG. 4 is a rear elevational view thereof;
FIG. 5 is a left side elevational view thereof;
FIG. 6 is a right side elevational view thereof;
FIG. 7 is a top plan view thereof;
FIG. 8 is a bottom plan view thereof; and,
FIG. 9 is a perspective view thereof when it is being used.
The broken lines shown in the drawings represent portions of the sink rack that form no part of the claimed design.

1 Claim, 9 Drawing Sheets



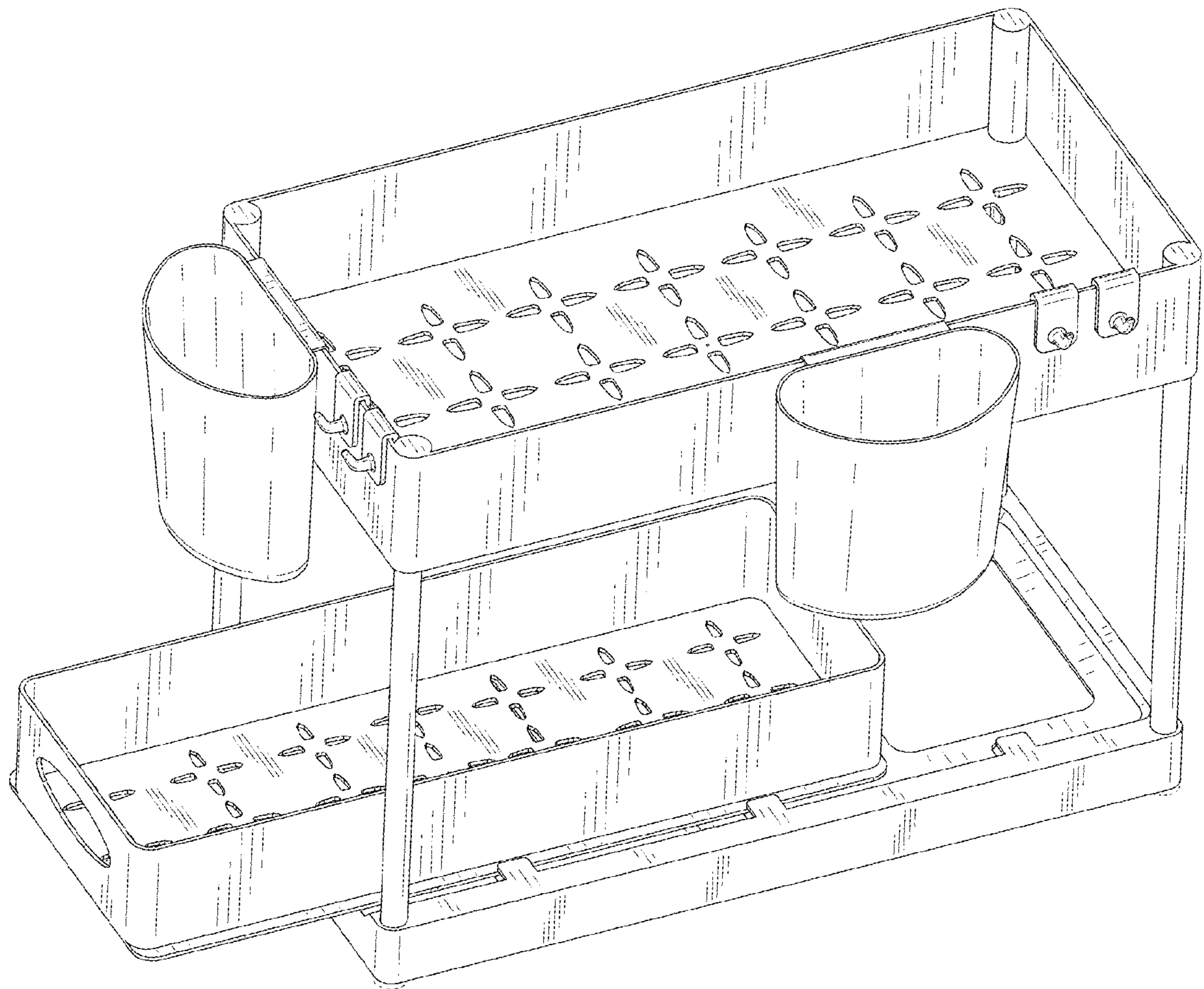


FIG. 1

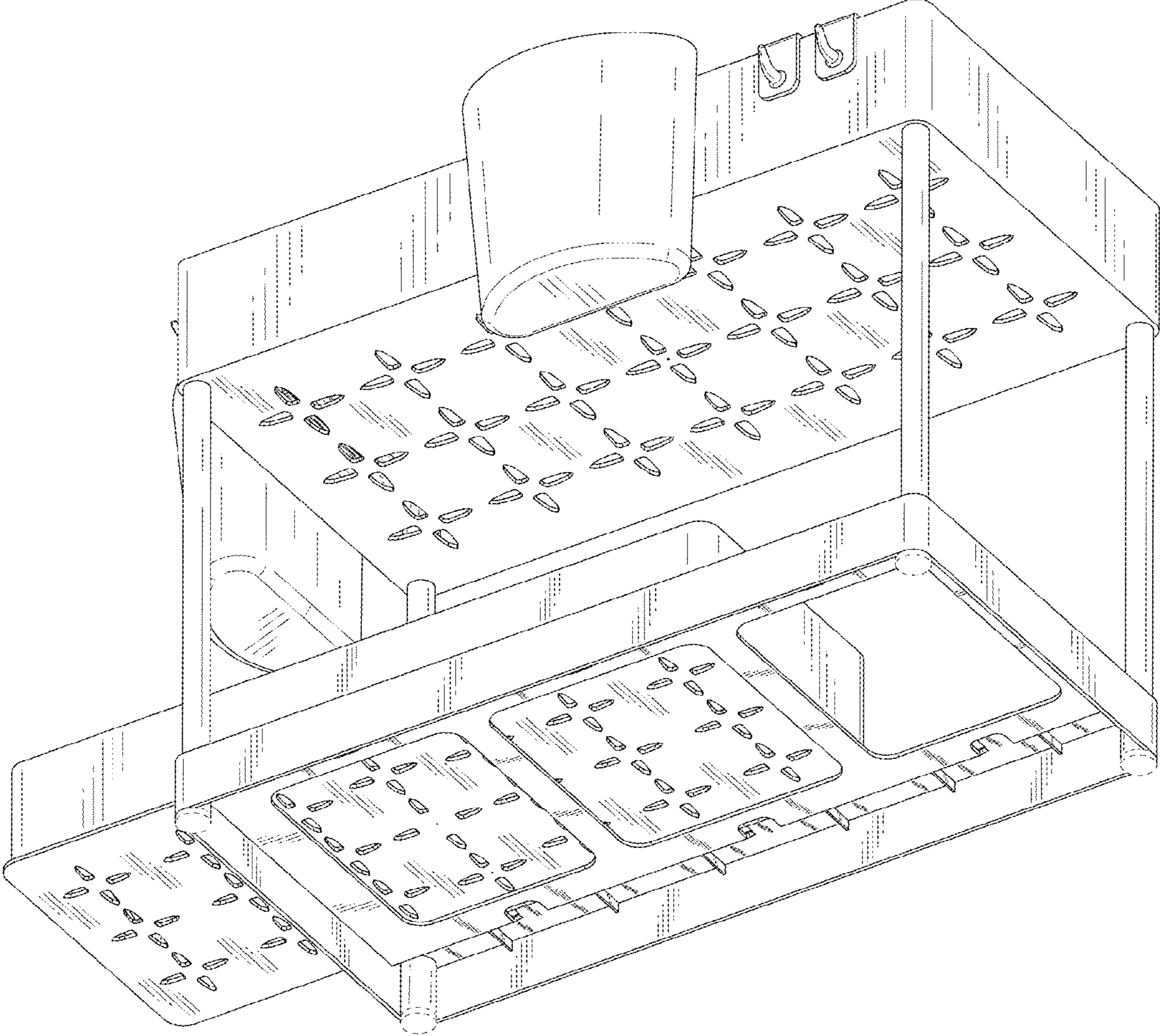


FIG. 2

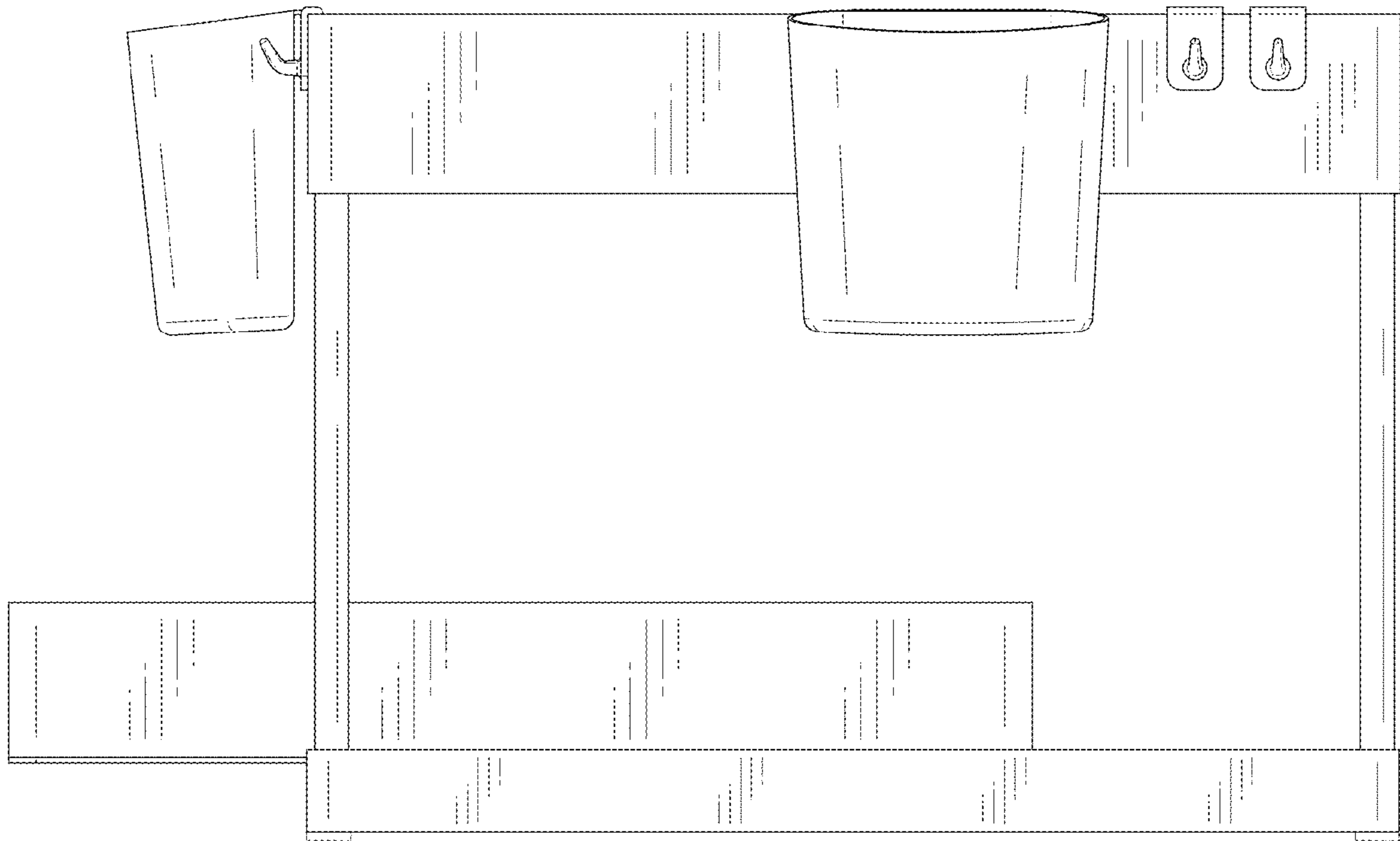


FIG. 3

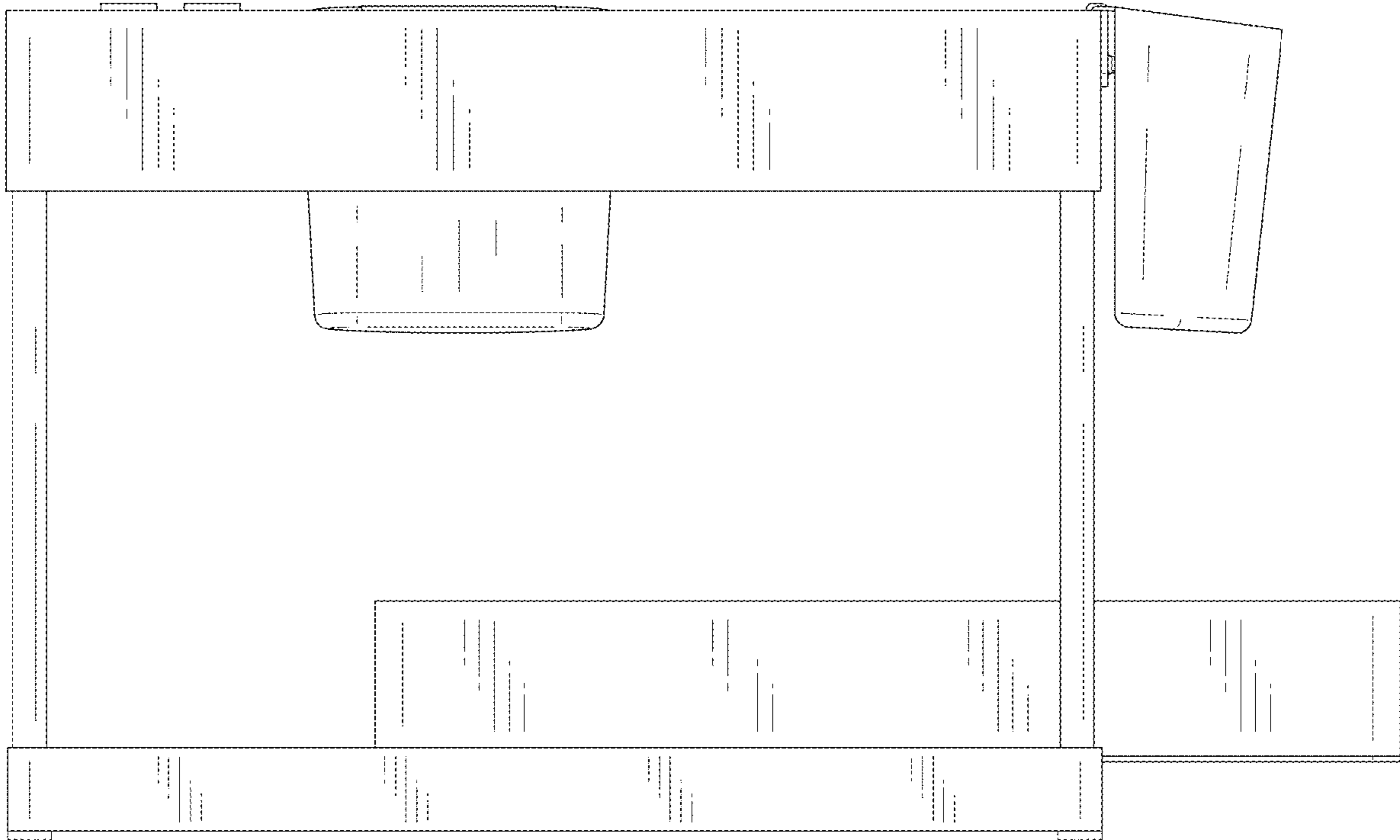


FIG. 4

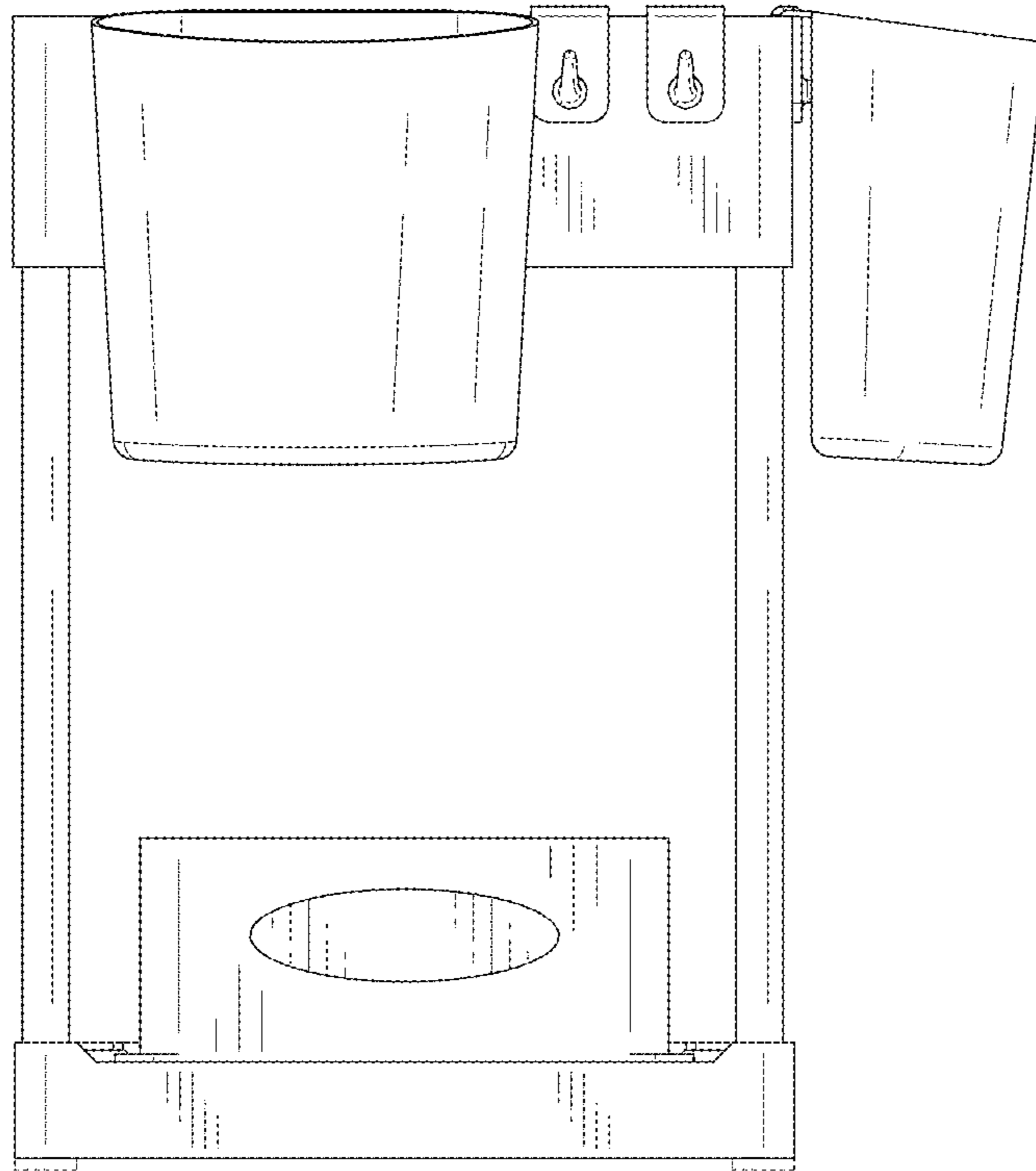


FIG. 5

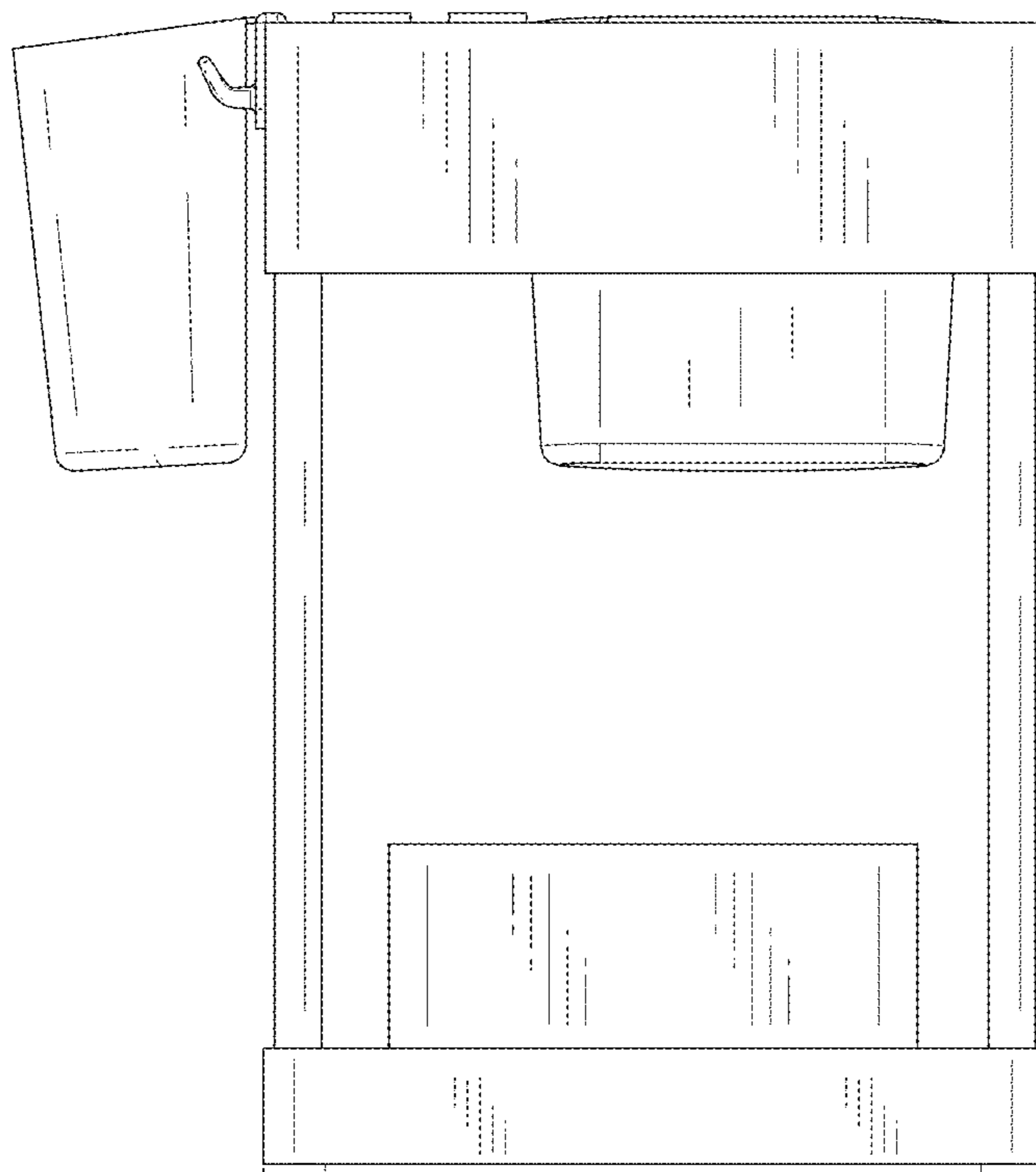


FIG. 6

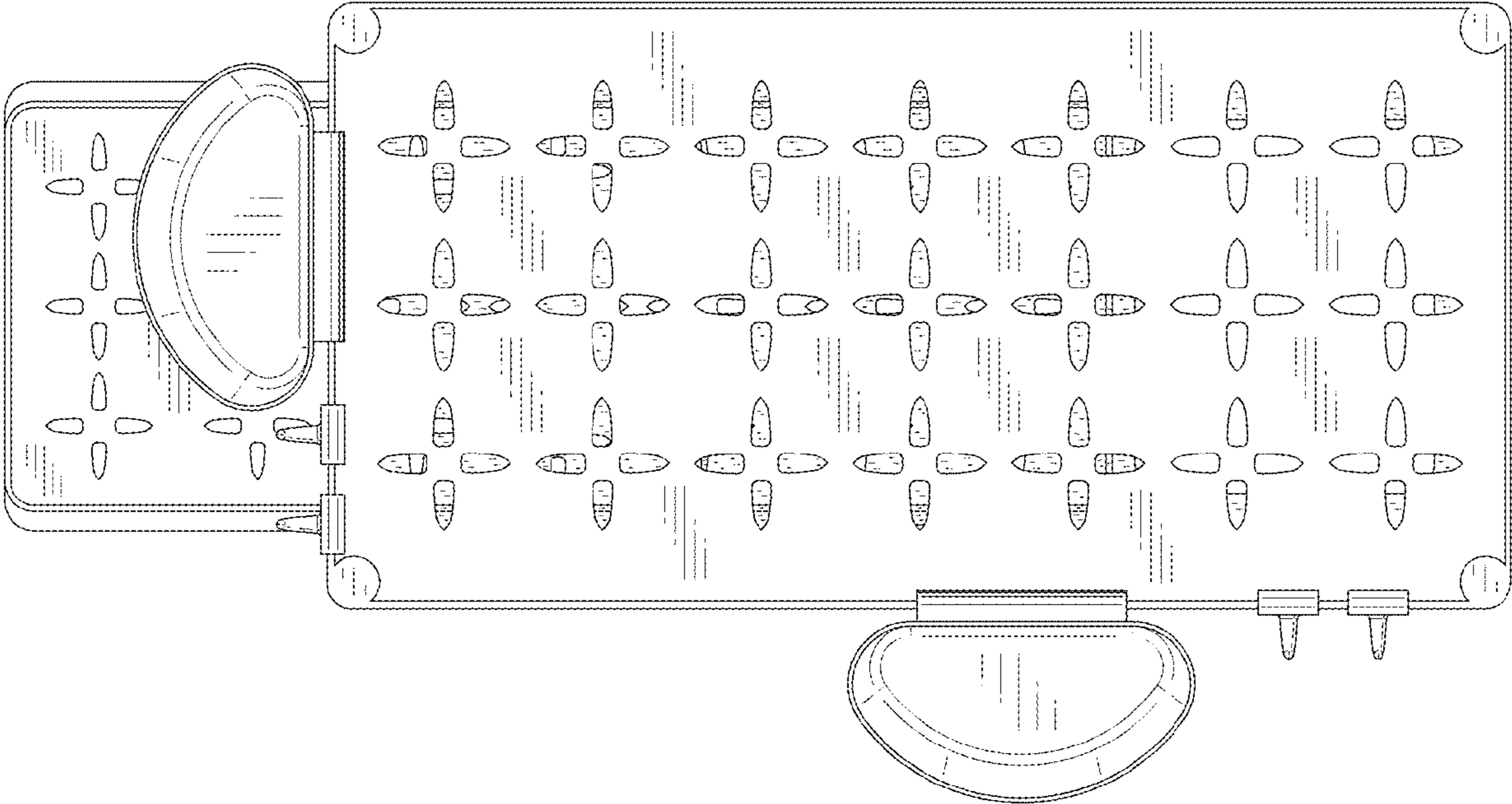


FIG. 7

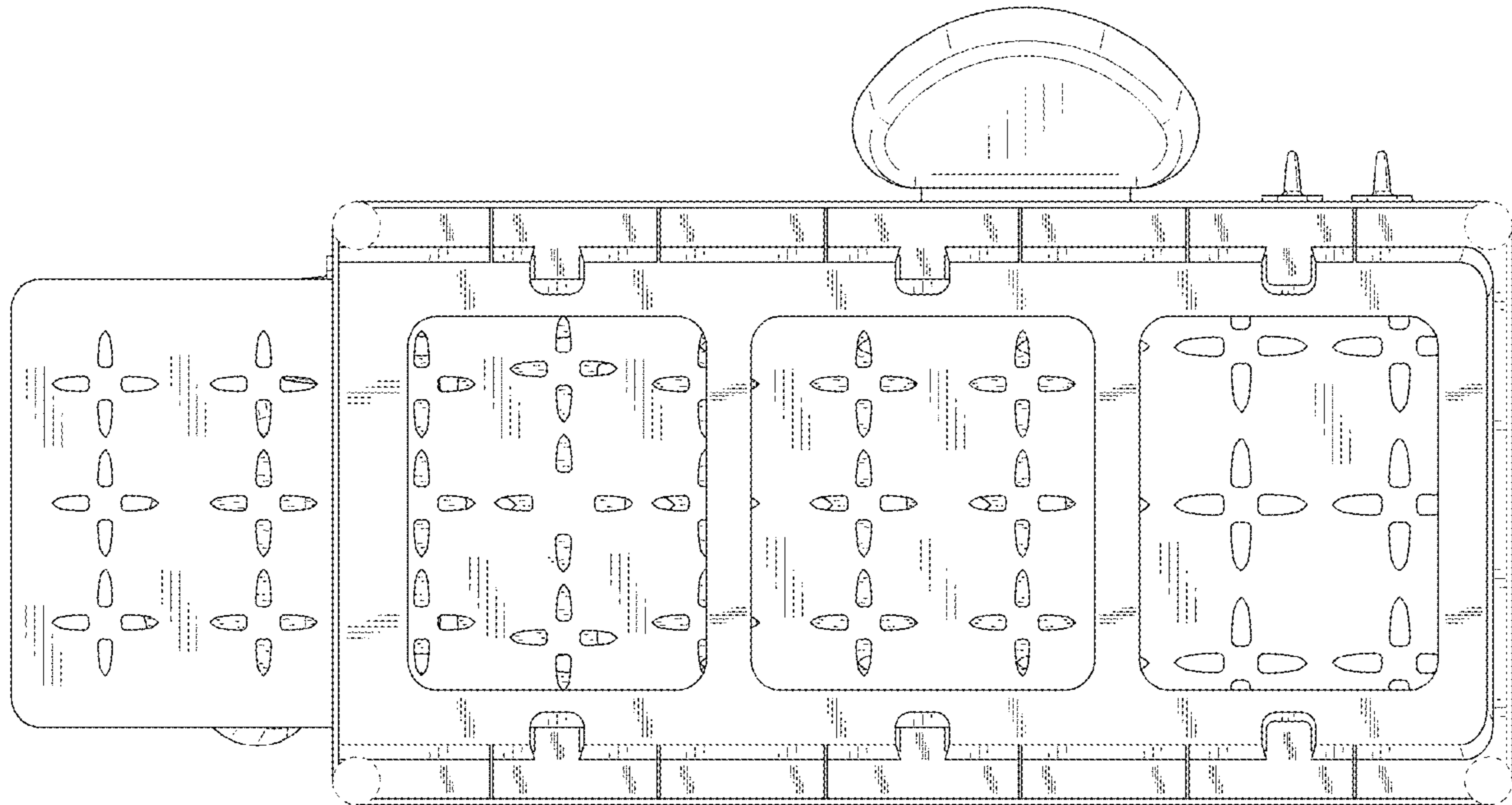


FIG. 8

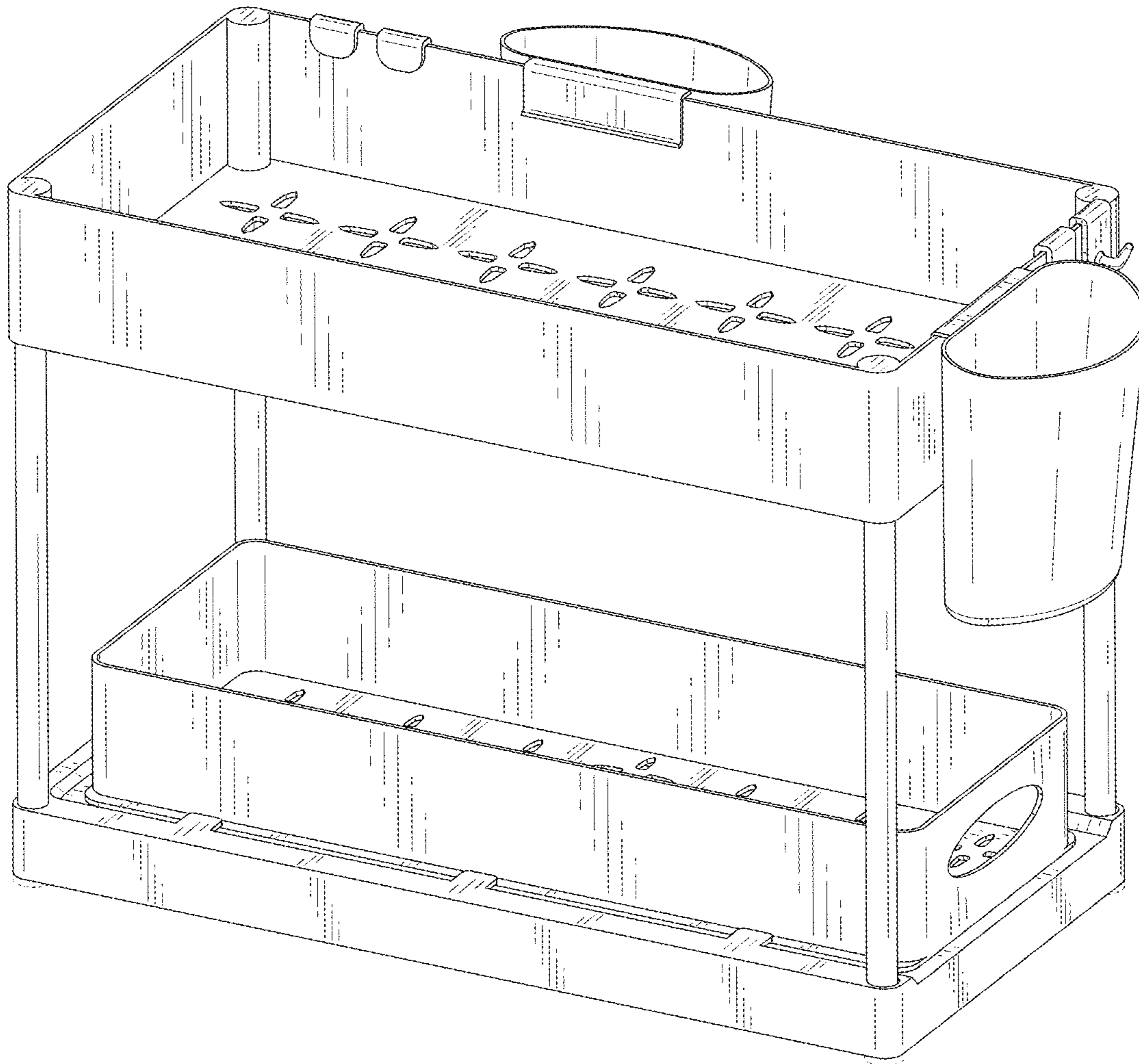


FIG. 9