



US00D967583S

(12) **United States Design Patent**
Zheng

(10) **Patent No.:** **US D967,583 S**

(45) **Date of Patent:** **** Oct. 18, 2022**

(54) **DISH RACK**

(71) Applicant: **Jiangmen Zhencheng Household Products Co., Ltd., Jiangmen (CN)**

(72) Inventor: **Yanyan Zheng, Jiangmen (CN)**

(**) Term: **15 Years**

(21) Appl. No.: **29/833,787**

(22) Filed: **Apr. 7, 2022**

(30) **Foreign Application Priority Data**

Mar. 29, 2022 (CN) 202230170388.5

(51) **LOC (13) Cl.** **07-05**

(52) **U.S. Cl.**
USPC **D32/55**

(58) **Field of Classification Search**
USPC D32/55, 276, 3; D6/510, 525; D30/133;
211/41.5, 41.4, 41.3, 41.8; 361/679.4;
312/311, 333, 334.4; D7/354, 629
CPC .. A47L 15/505; A47L 15/503; A47L 15/0013;
A47L 19/02; A47L 19/04; A47J 47/20
See application file for complete search history.

(56) **References Cited**

U.S. PATENT DOCUMENTS

D755,459 S * 5/2016 Erby D32/56
D776,387 S * 1/2017 Chen D32/56

D783,216 S * 4/2017 Huang D32/55
D820,543 S * 6/2018 Huang D32/55
D874,775 S * 2/2020 Xie D32/55
D887,098 S * 6/2020 Li D32/55
D915,707 S * 4/2021 Li D32/55
D915,708 S * 4/2021 Tang D32/55
D919,218 S * 5/2021 Asis
D921,318 S * 6/2021 Ling D32/55
D921,319 S * 6/2021 Xie D32/55
D921,320 S * 6/2021 Hu D32/55
D925,852 S * 7/2021 XiangZe D32/55
D957,779 S * 7/2022 Zang D32/55

* cited by examiner

Primary Examiner — Austin Murphy

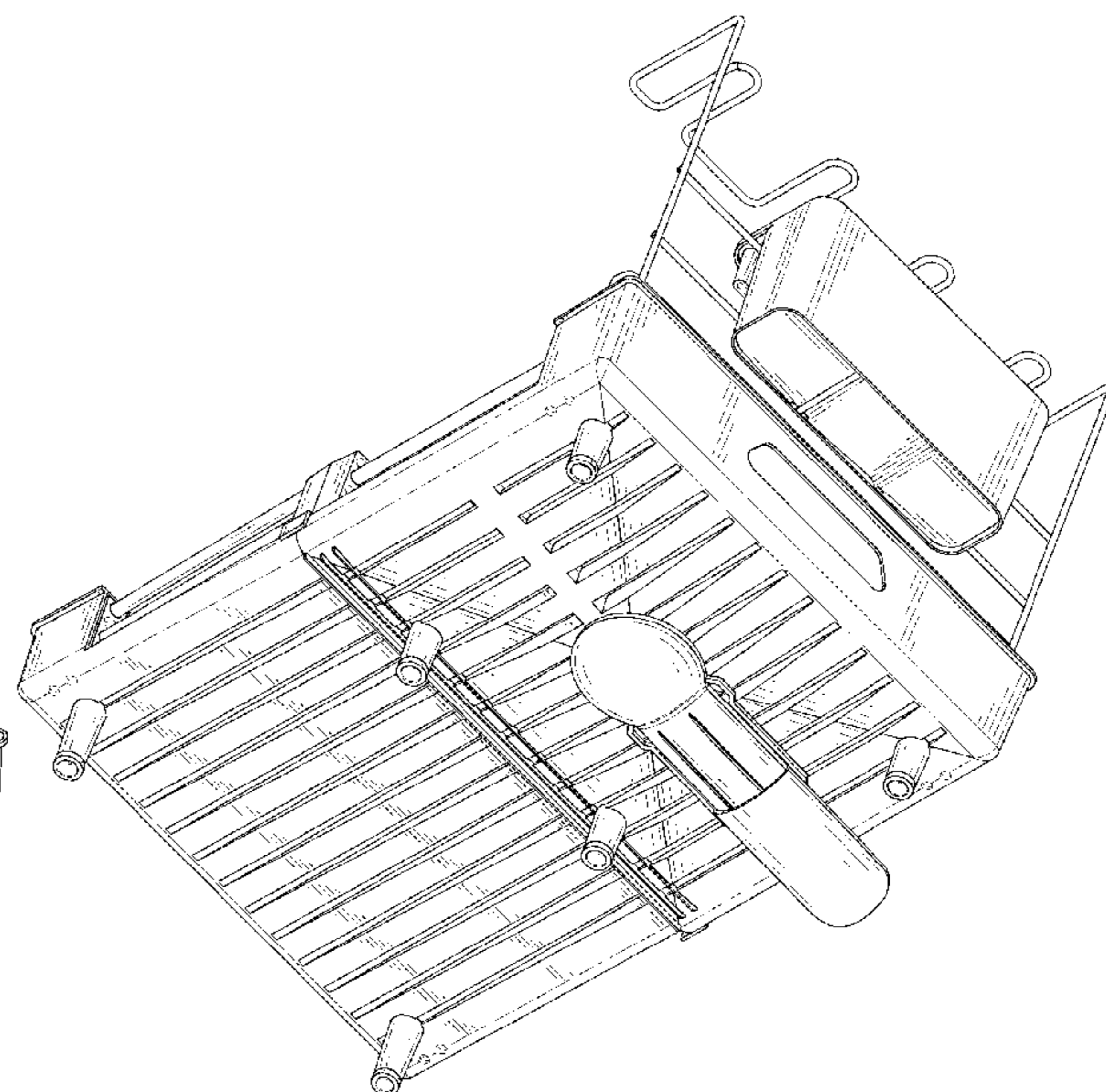
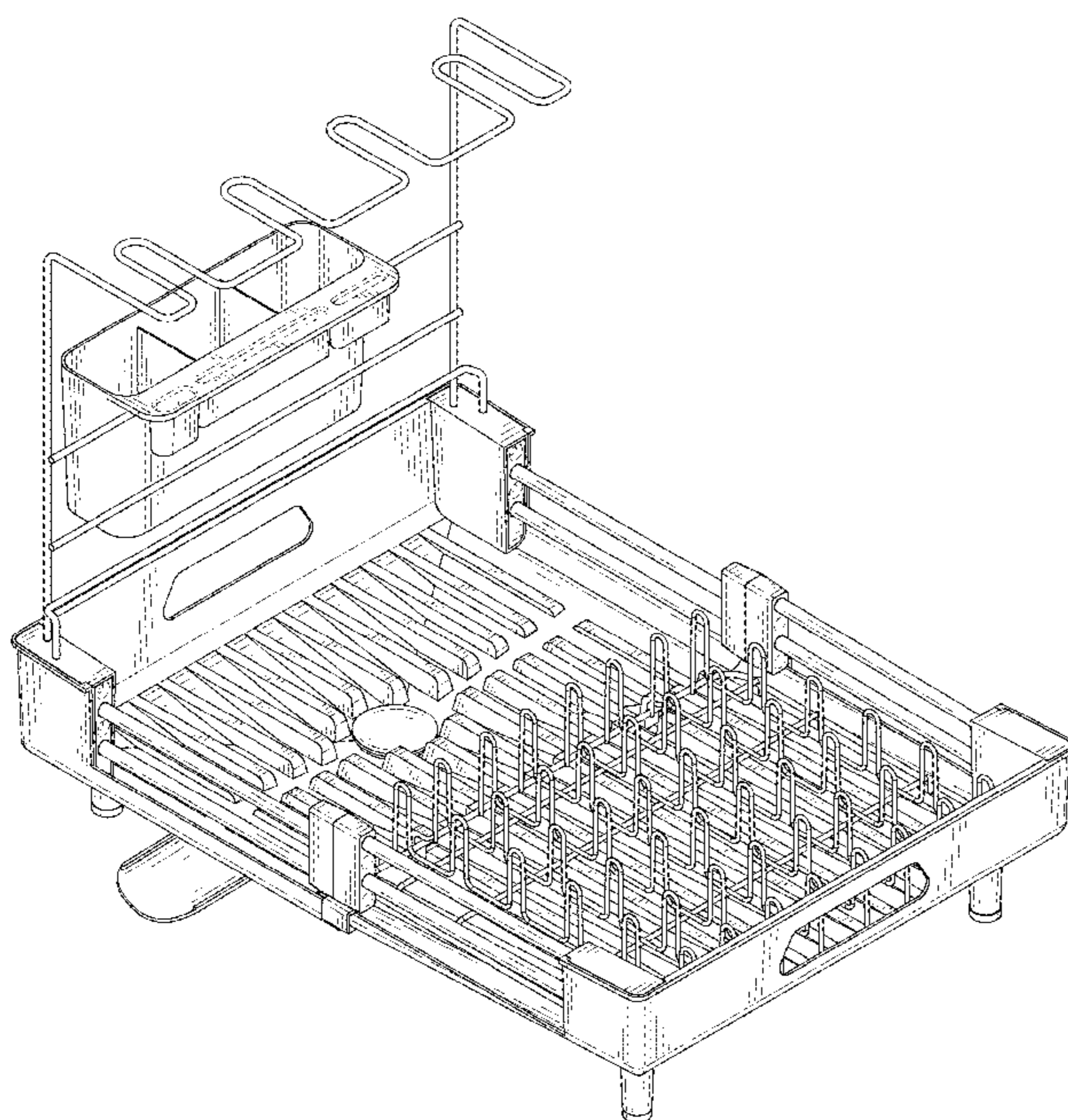
(57) **CLAIM**

The ornamental design for a dish rack, as shown and described.

DESCRIPTION

FIG. 1 is a front and top perspective view of a dish rack, showing my new design;
FIG. 2 is a rear and bottom perspective view thereof;
FIG. 3 is a front elevation view thereof;
FIG. 4 is a rear elevation view thereof;
FIG. 5 is a left side elevation view thereof;
FIG. 6 is a right side elevation view thereof;
FIG. 7 is a top plan view thereof; and,
FIG. 8 is a bottom plan view thereof.
The broken lines in the figures illustrate portions of the dish rack that form no part of the claimed design.

1 Claim, 8 Drawing Sheets



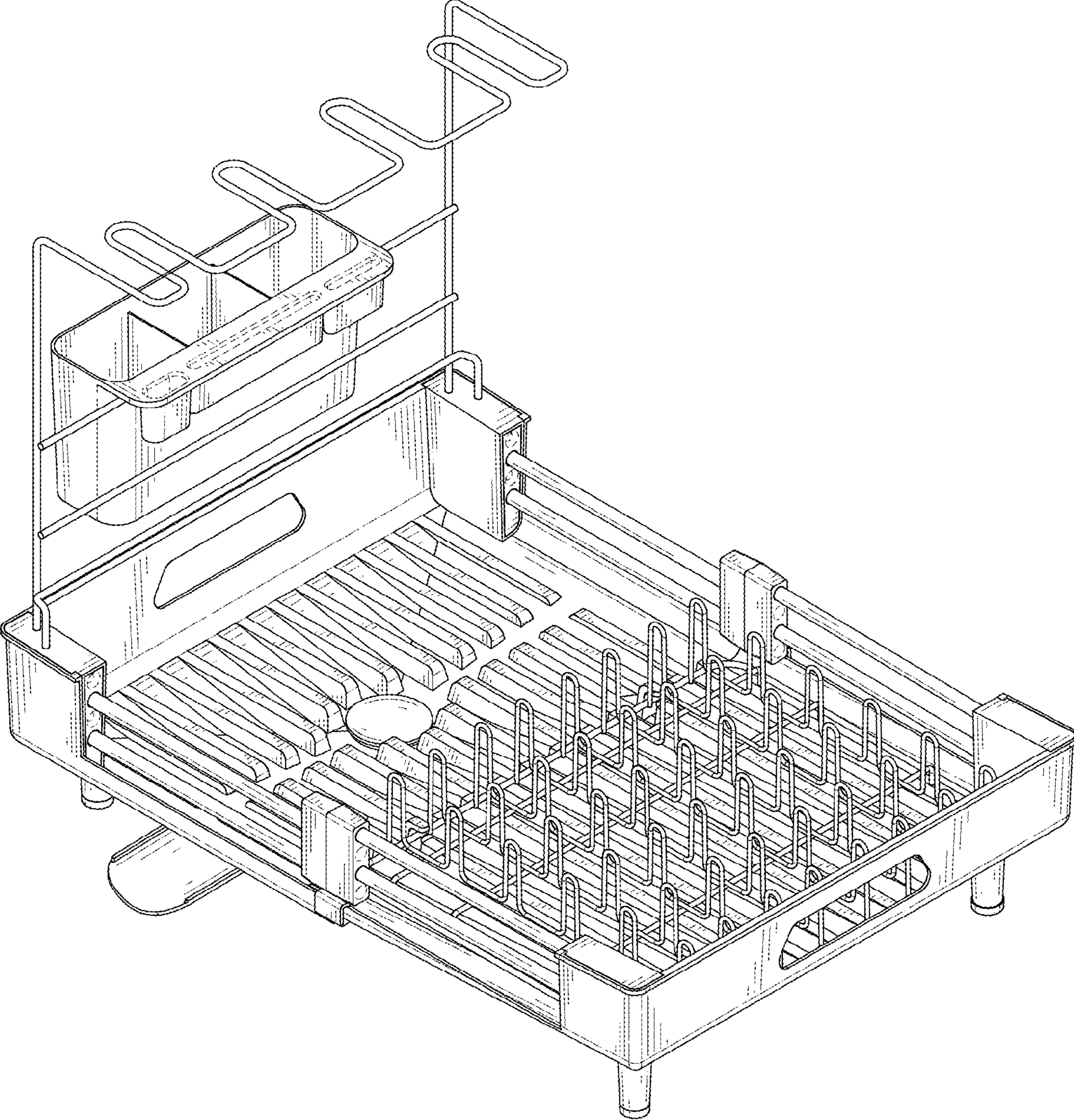


FIG. 1

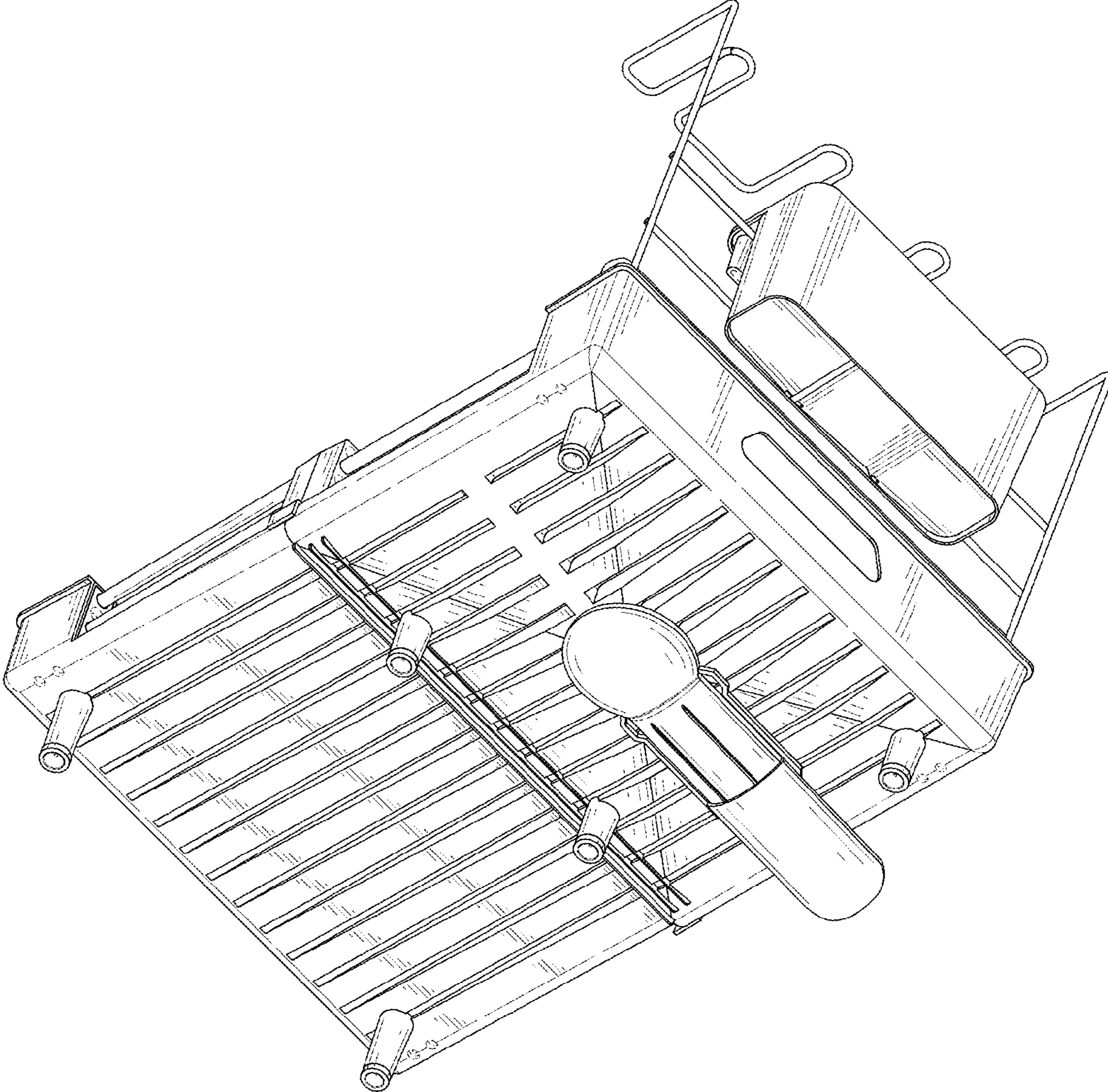


FIG. 2

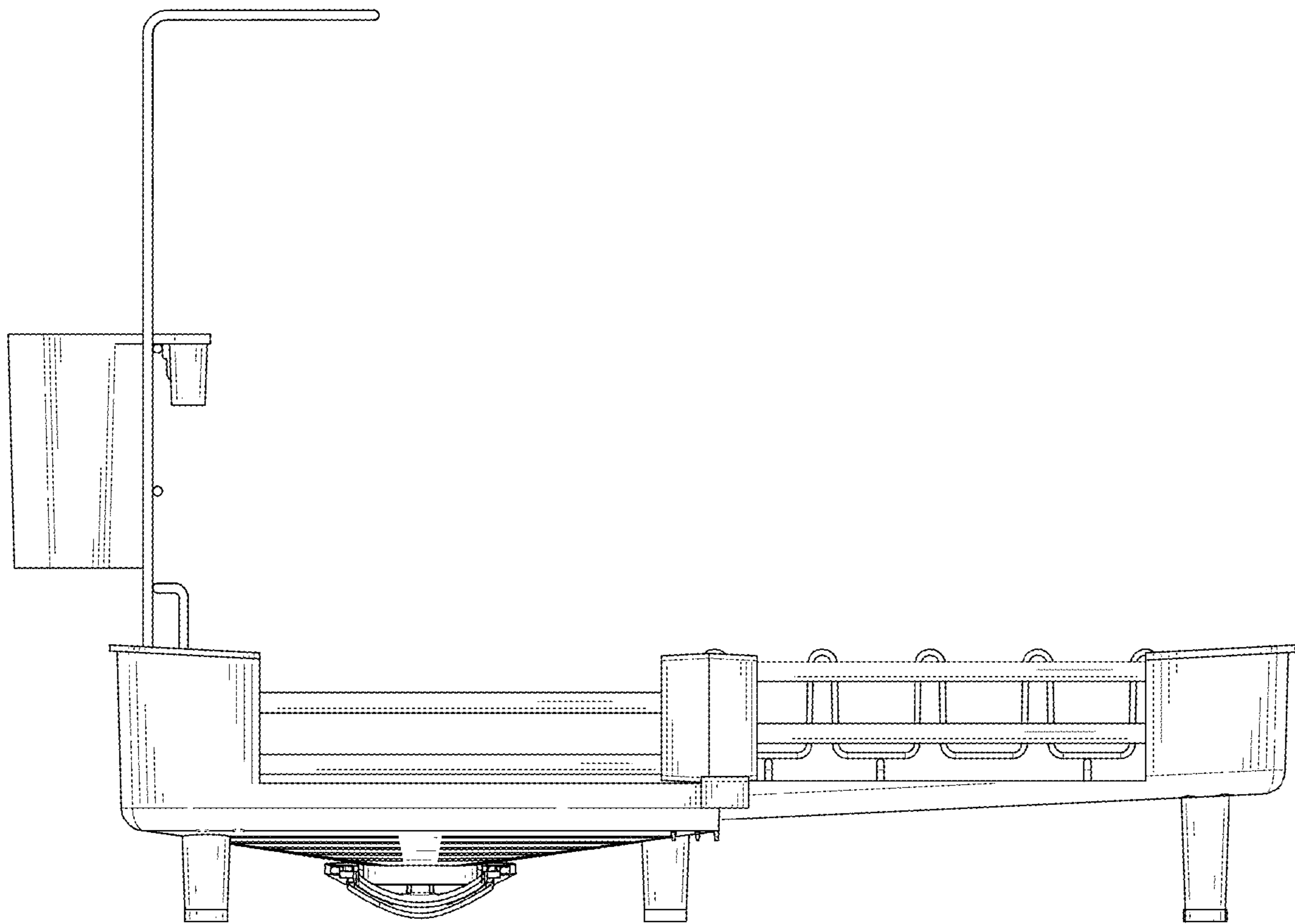


FIG. 3

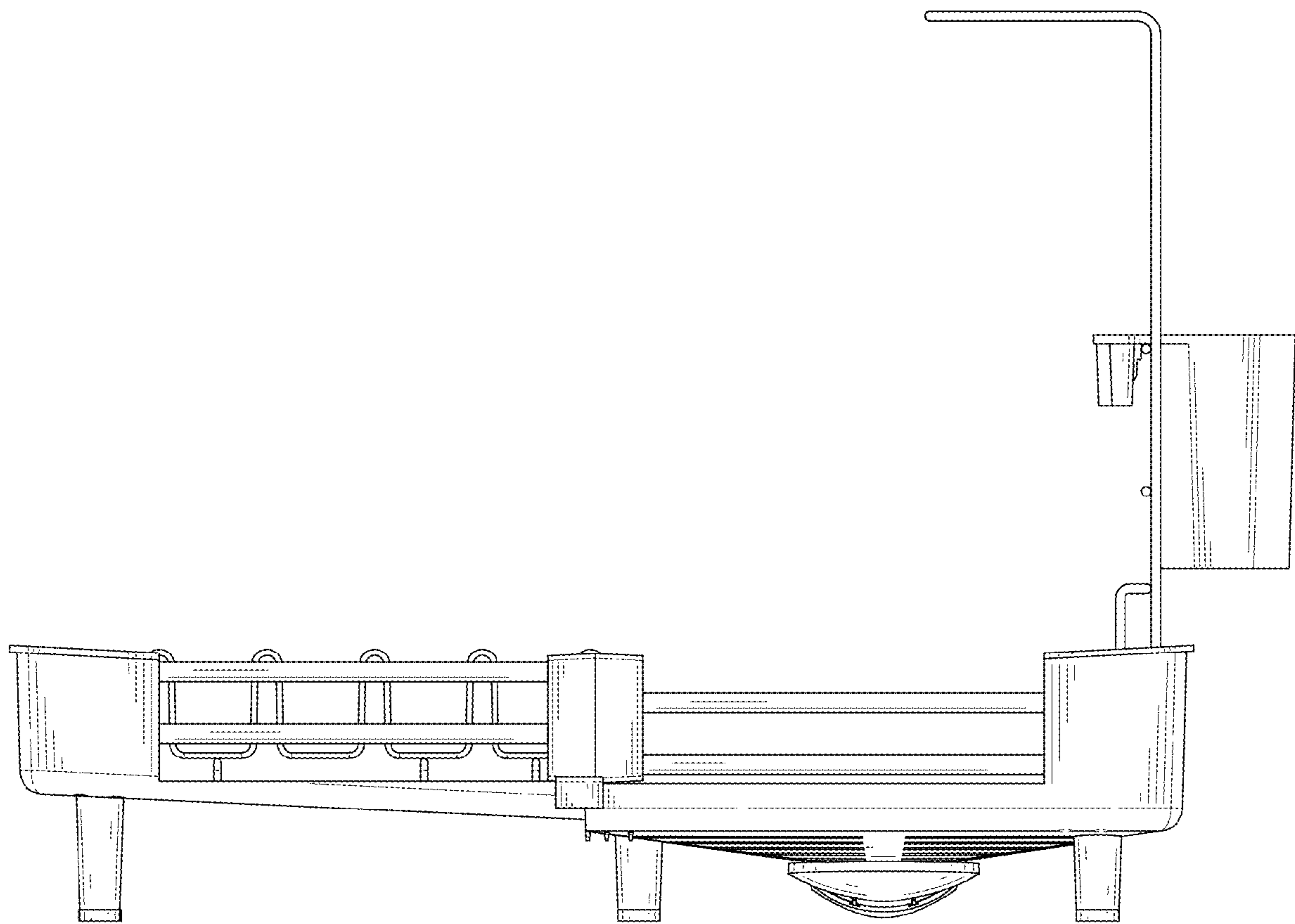


FIG. 4

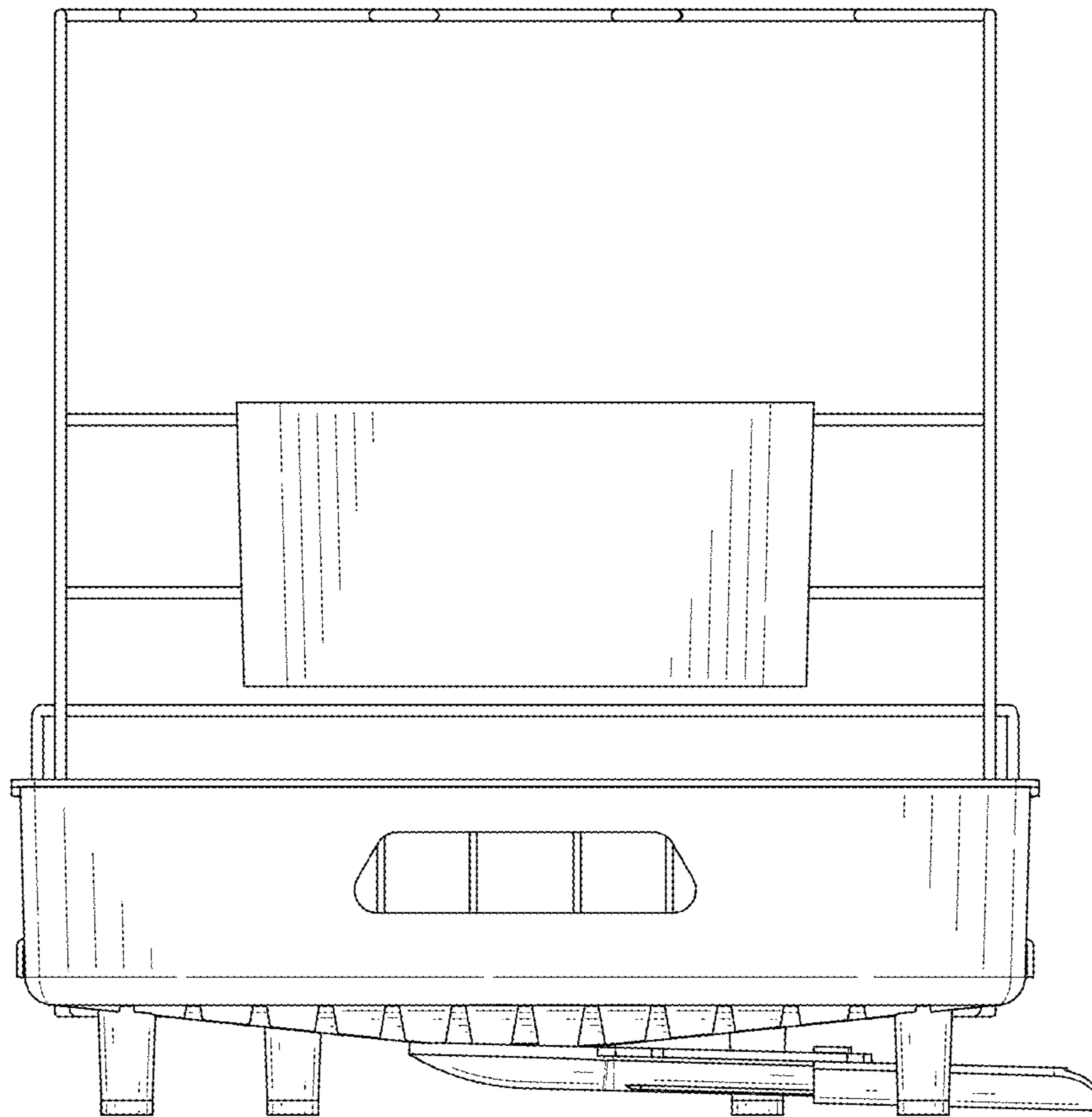


FIG. 5

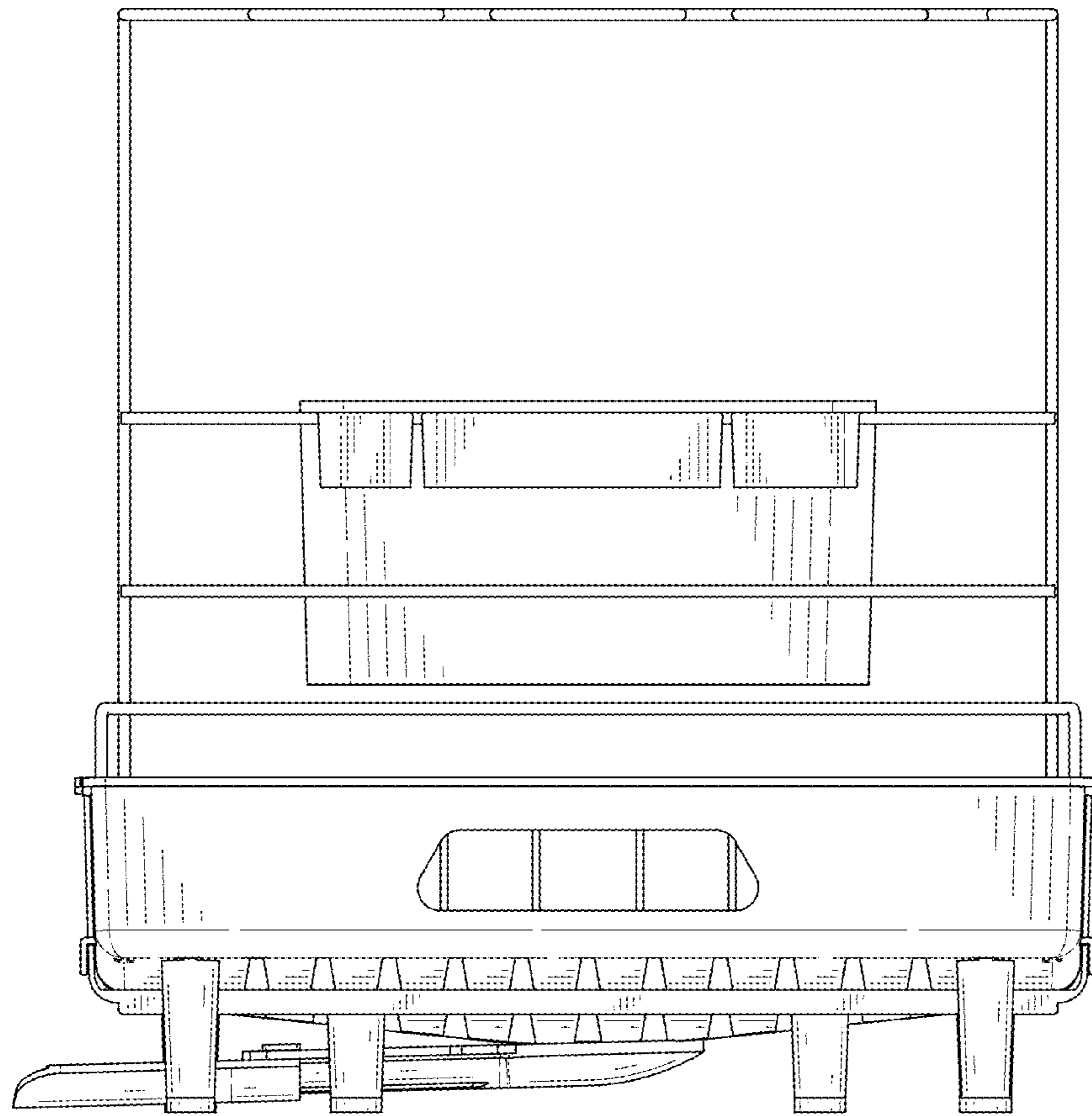


FIG. 6

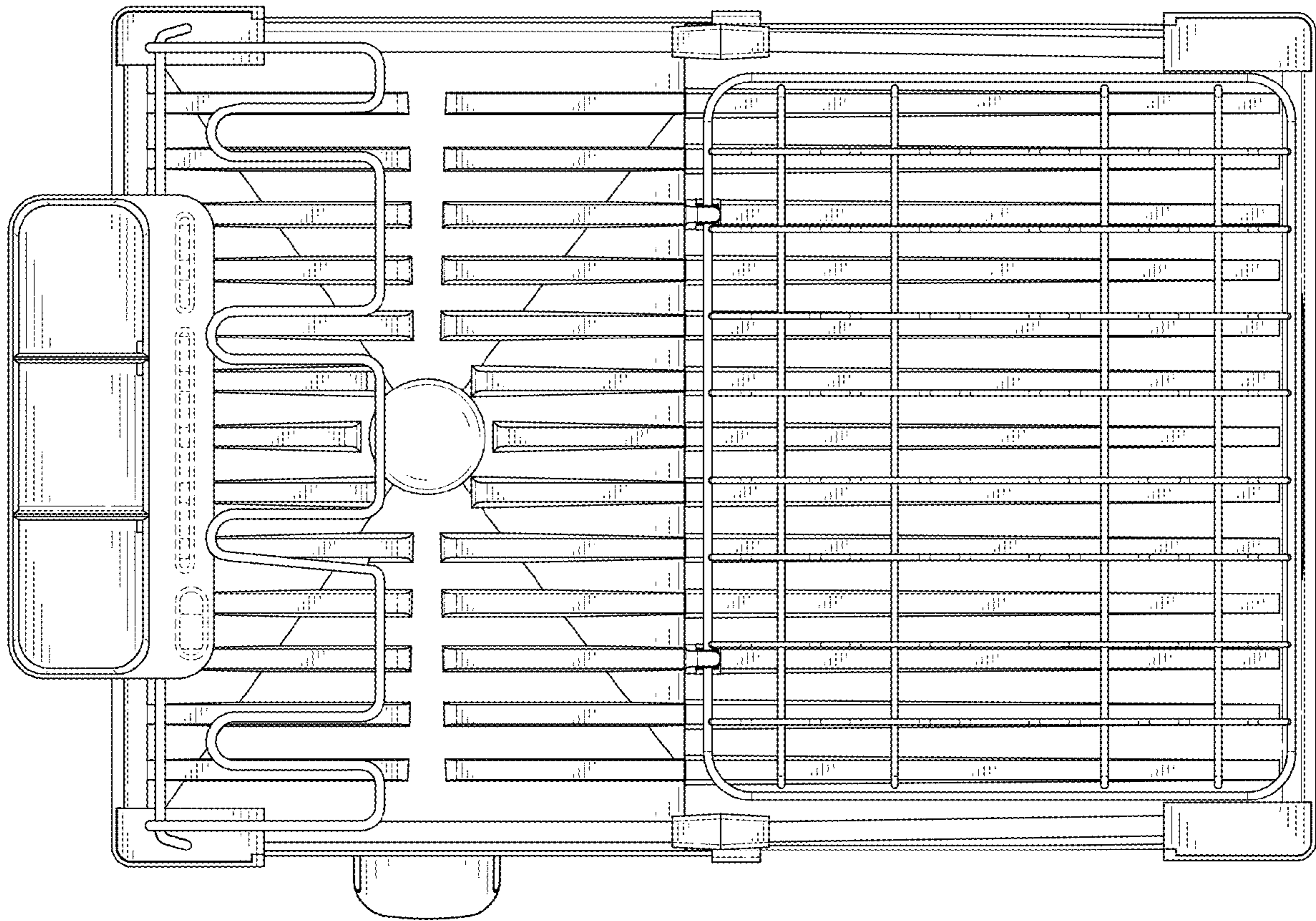


FIG. 7

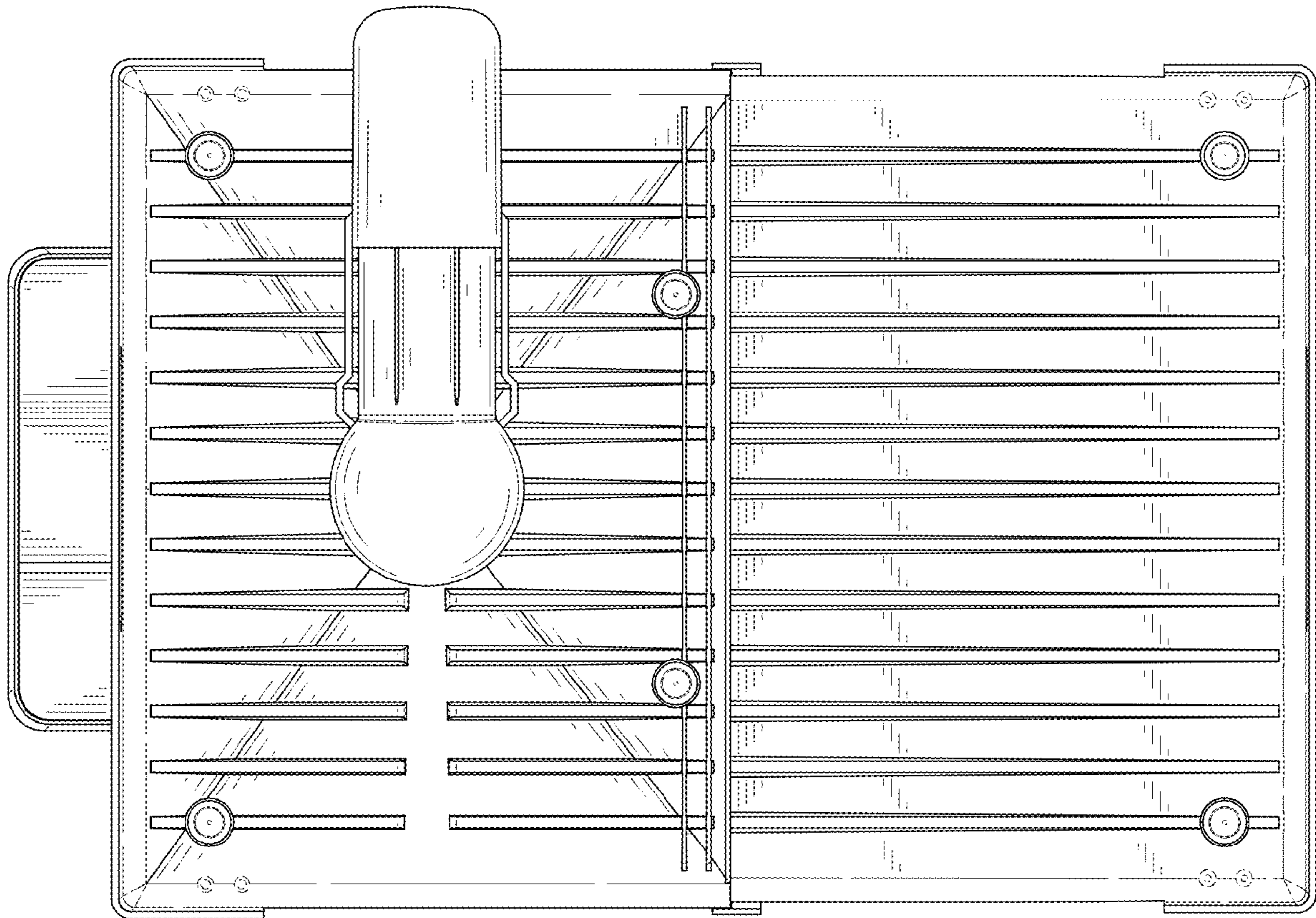


FIG. 8