



US00D967579S

(12) **United States Design Patent** (10) **Patent No.:** **US D967,579 S**
Cole et al. (45) **Date of Patent:** **** Oct. 18, 2022**

(54) **SUPPORT FOR A VACUUM CLEANER**

D878,820 S * 3/2020 Knox D6/657
D878,829 S * 3/2020 Chen D6/675
D891,147 S * 7/2020 Denby D6/553
D923,979 S * 7/2021 Gale D6/675

(71) Applicant: **Dyson Technology Limited**, Wiltshire (GB)

(Continued)

(72) Inventors: **Samuel Steven Cole**, Swindon (GB);
Charles Franklin Gale, Swindon (GB);
Peter David Gammack, Gloucester (GB);
Coco Lucia Bibiana Canessa, Bristol (GB);
Rhys Thomas Evans, Gloucester (GB)

FOREIGN PATENT DOCUMENTS

EM 005942075-001 * 12/2018
GB 2501764 A * 11/2013 A47L 9/0045
JP D1669968 * 11/2019

(Continued)

(73) Assignee: **Dyson Technology Limited**, Wiltshire (GB)

OTHER PUBLICATIONS

Amazon.in, Dyson V11 Floor Dock <https://www.amazon.in/Dyson-V11-Floor-Dock/dp/B08XLVJG2C> (Year: 2021).*

(Continued)

(**) Term: **15 Years**

(21) Appl. No.: **29/758,593**

(22) Filed: **Nov. 17, 2020**

(30) **Foreign Application Priority Data**

May 18, 2020 (EM) 007955257-0001

(51) **LOC (13) Cl.** **15-05**

(52) **U.S. Cl.**
USPC **D32/32**

(58) **Field of Classification Search**
USPC D6/310, 512, 553, 569, 675, 570, 682.2;
D32/25, 31, 32, 33
CPC A47L 9/00; A47L 9/0018; A47L 9/0027;
A47L 9/0036; A47L 9/0045; A47G 29/00;
A47G 29/08
See application file for complete search history.

(56) **References Cited**

U.S. PATENT DOCUMENTS

D424,734 S * 5/2000 Gager D26/106
D724,345 S * 3/2015 Lim D8/373
D837,144 S * 1/2019 Nam D13/107
D878,818 S * 3/2020 Dyson D6/657

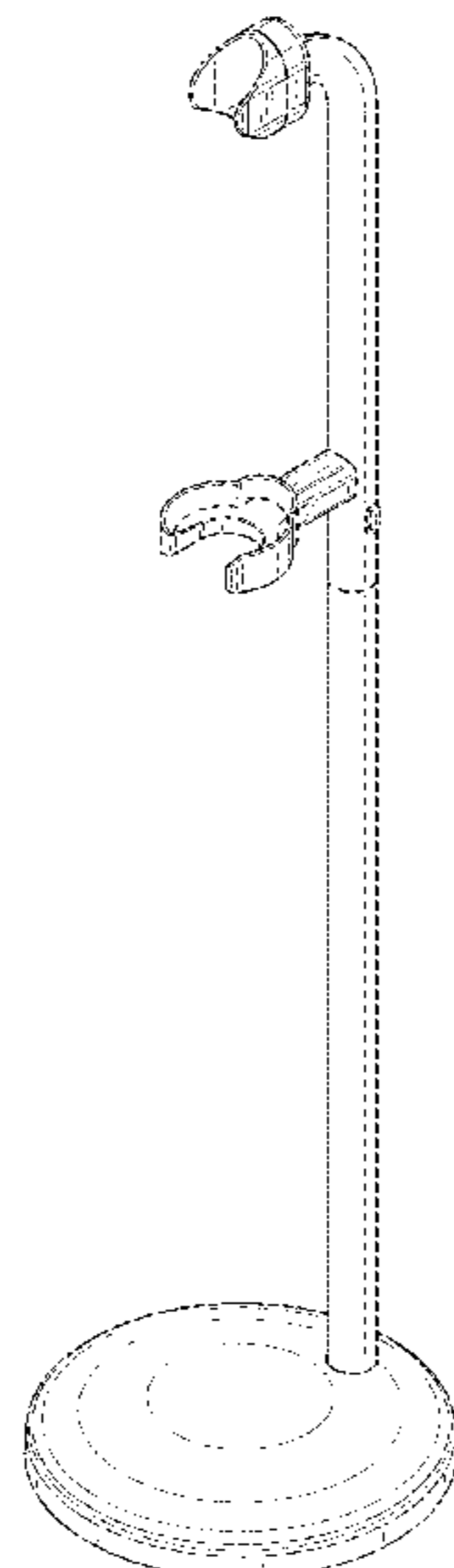
(57) **CLAIM**

We claim the ornamental design for a support for a vacuum cleaner, as shown and described.

DESCRIPTION

FIG. 1 is a front perspective view of a support for a vacuum cleaner showing our new design;
FIG. 2 is a front view thereof;
FIG. 3 is a rear view thereof;
FIG. 4 is a side view thereof;
FIG. 5 is a side view of the opposite side of FIG. 4;
FIG. 6 is a top view thereof; and,
FIG. 7 is a bottom view thereof.
The broken lines shown in the drawings illustrate portions of a support for a vacuum cleaner that form no part of the claimed design.

1 Claim, 7 Drawing Sheets



(56)

References Cited

U.S. PATENT DOCUMENTS

D942,190 S * 2/2022 Li D6/681

FOREIGN PATENT DOCUMENTS

JP D1670033 * 11/2019
KR 3011406510001 * 12/2021

OTHER PUBLICATIONS

Cole et al., Design U.S. Appl. No. 29/758,594, filed Nov. 17, 2020,
for "Support for a Vacuum Cleaner."

* cited by examiner

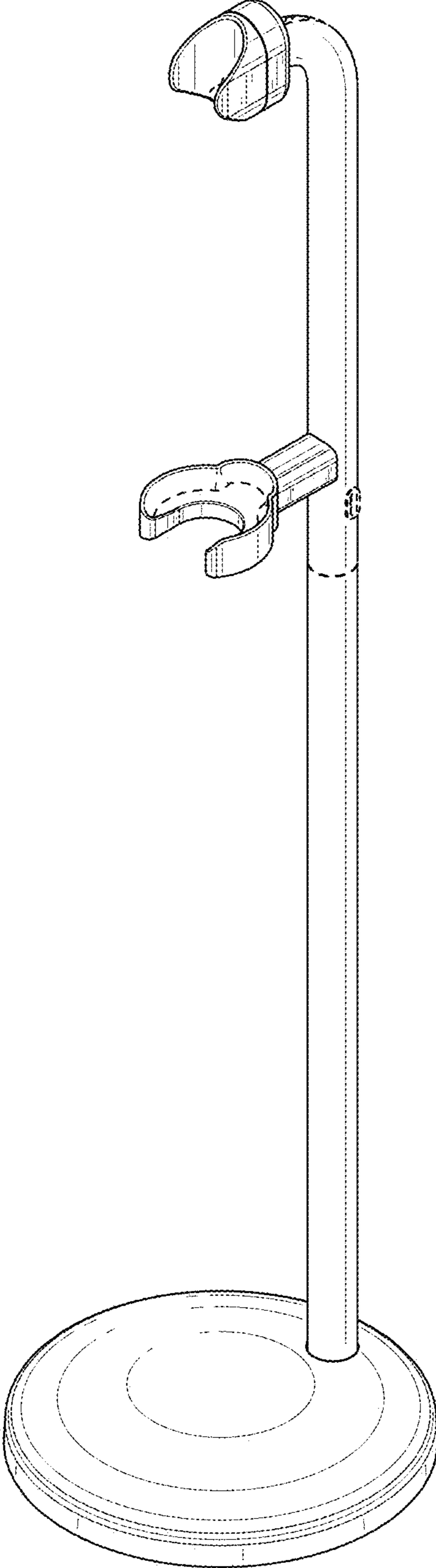


FIG. 1

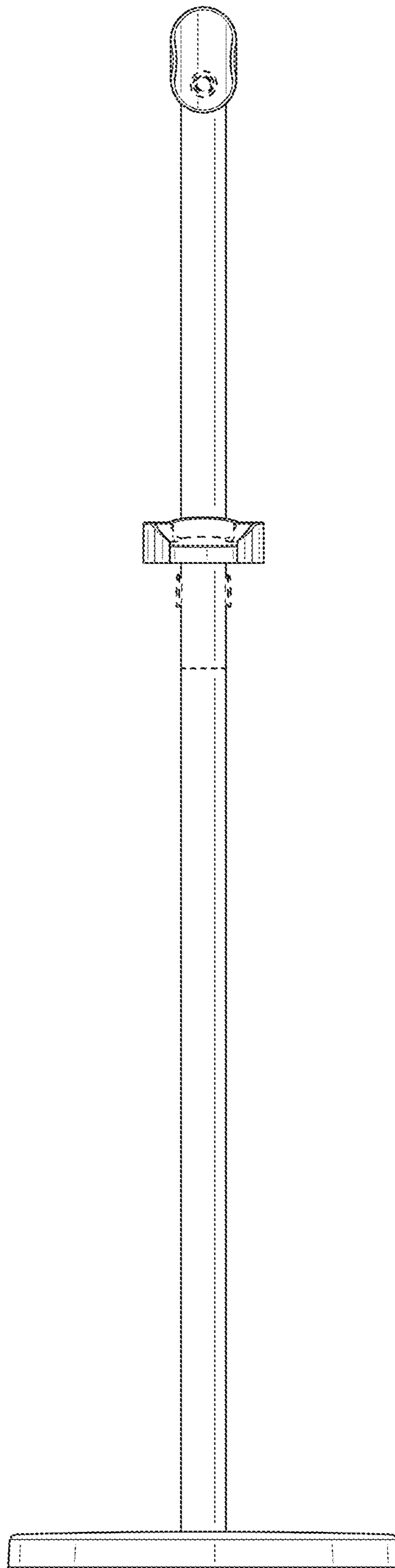


FIG. 2

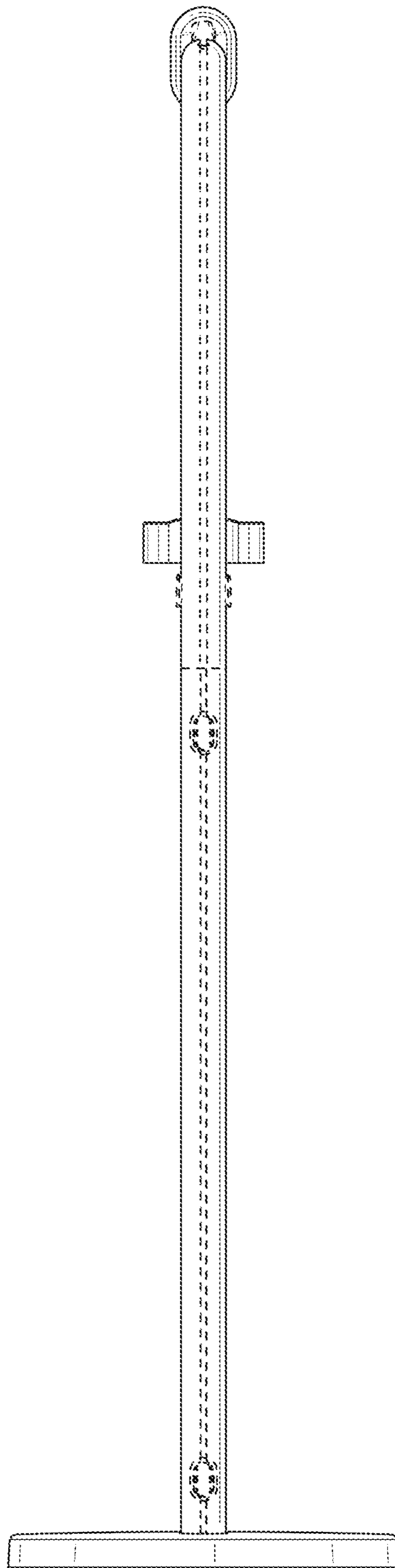


FIG. 3

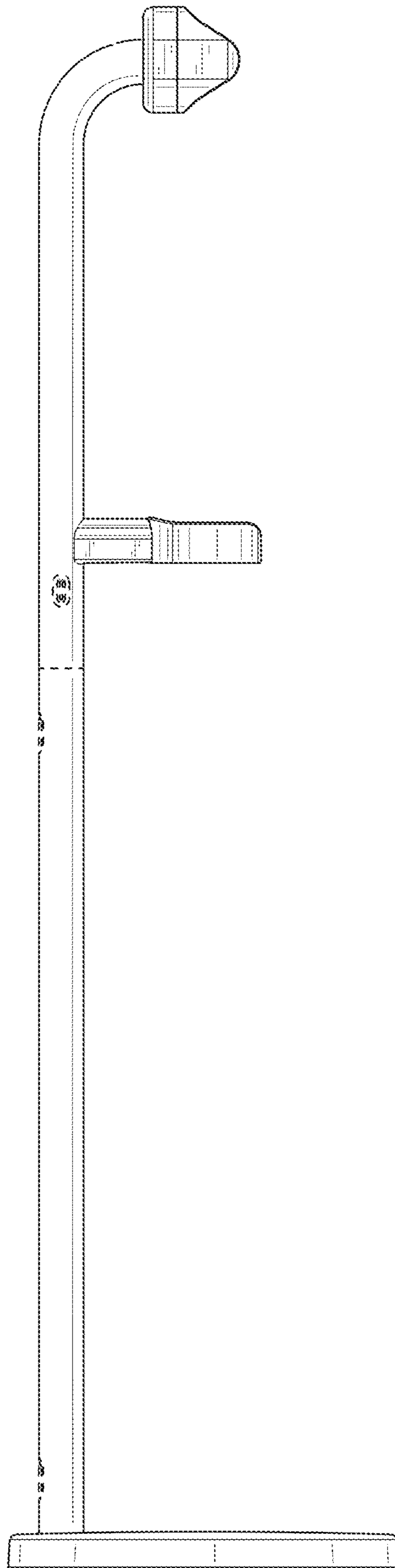


FIG. 4

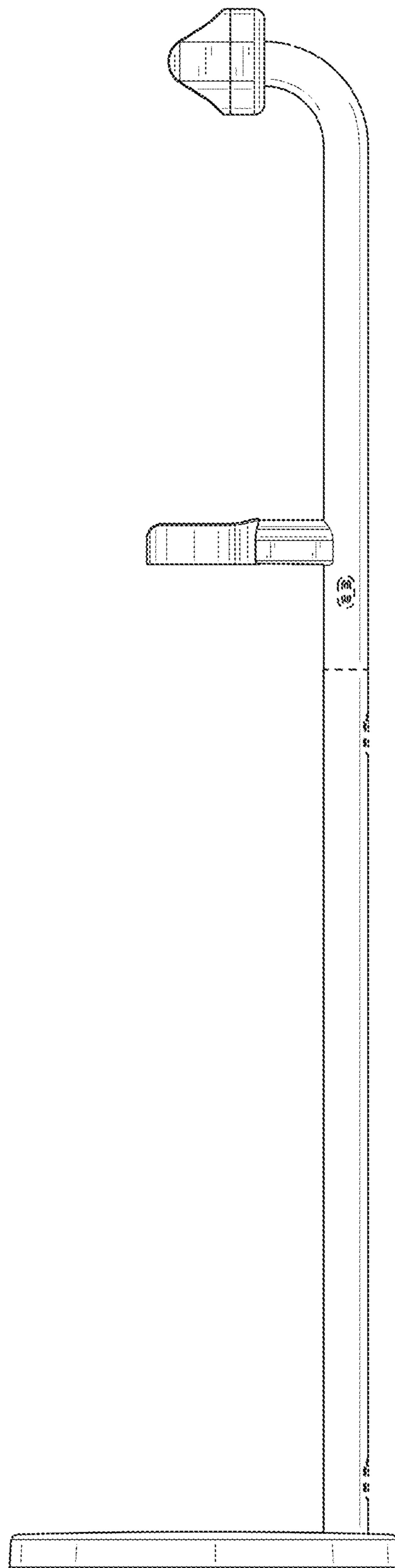


FIG. 5

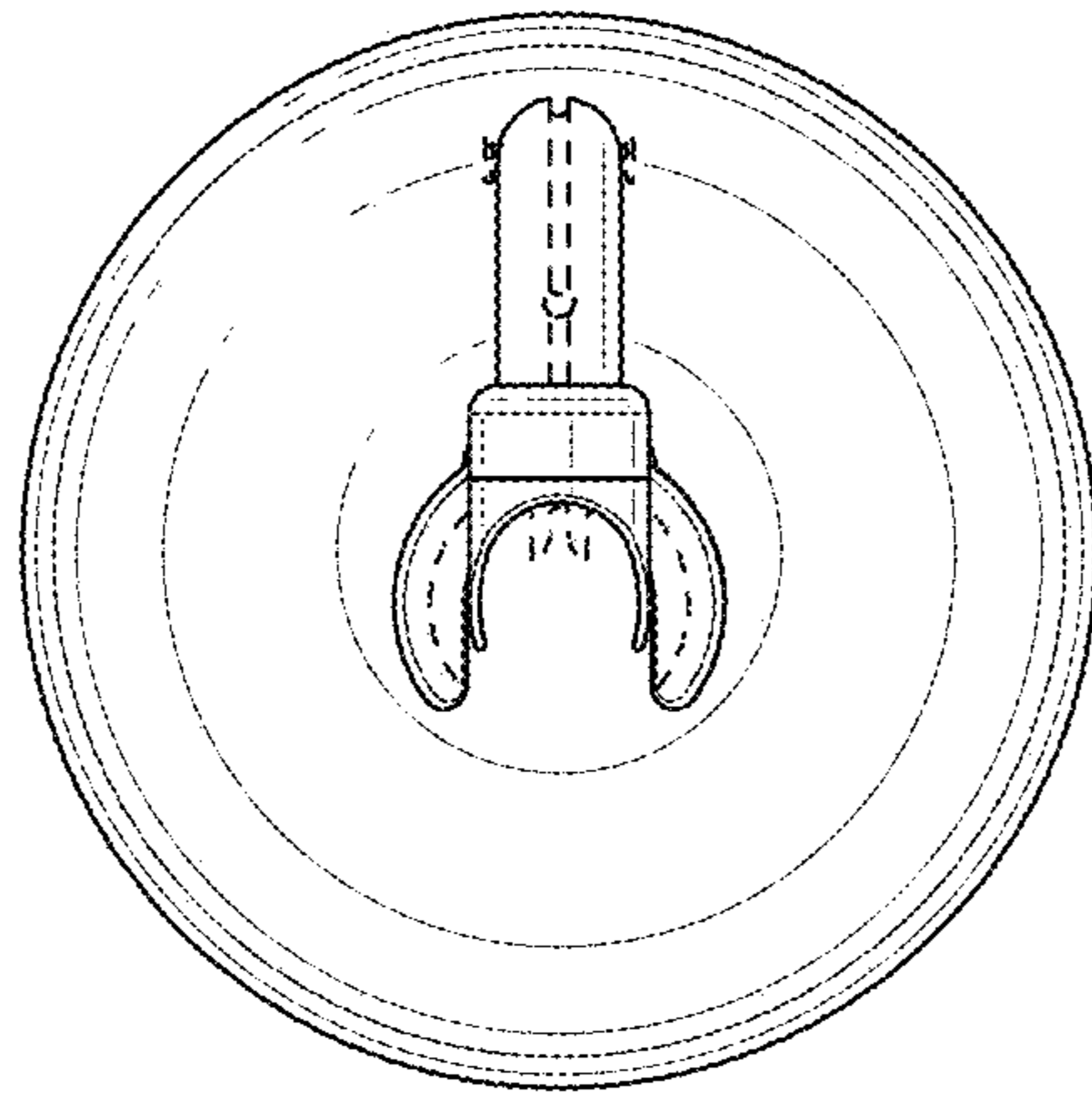


FIG. 6

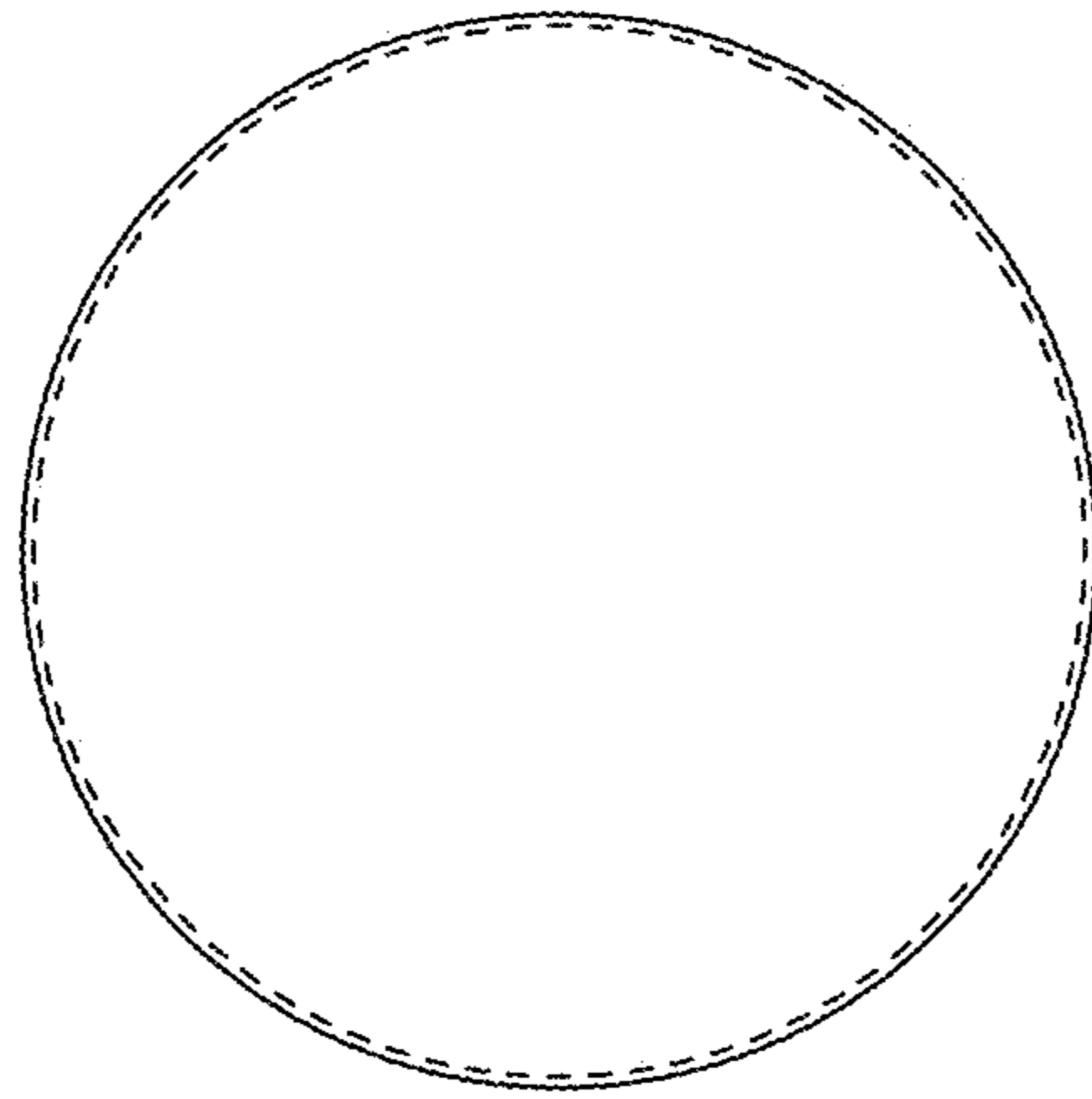


FIG. 7