

US00D967577S

(12) **United States Design Patent** (10) **Patent No.:** **US D967,577 S**
Tucker et al. (45) **Date of Patent:** **** Oct. 18, 2022**

(54) **VACUUM CLEANER BATTERY**
(71) Applicant: **Dyson Technology Limited**, Wiltshire (GB)
(72) Inventors: **Matthew Adam Tucker**, Bristol (GB); **Sophie Louise Sheriff**, Bristol (GB); **Charles Franklin Gale**, Bristol (GB); **Ahmad Saufi Bin Mohamed Zahri**, Johor (MY)

D504,111 S * 4/2005 Ozawa D13/103
6,955,549 B2 10/2005 Brazell et al.
D550,152 S * 9/2007 Okuda D13/103
(Continued)

FOREIGN PATENT DOCUMENTS

CN 105640439 B 6/2018
JP 6184889 B2 8/2017
(Continued)

(73) Assignee: **Dyson Technology Limited**, Malmesbury (GB)

OTHER PUBLICATIONS

Amazon.com—Dyson Replacement Battery for V11 https://www.amazon.com/Dyson-Replacement-Additional-Cordless-970425-01/dp/B0898Y91DN/ref=sr_1_95 (Year: 2020).*

(**) Term: **15 Years**

(Continued)

(21) Appl. No.: **29/733,870**

Primary Examiner — Kevin K Rudzinski
Assistant Examiner — Richard E Yenchesky
(74) *Attorney, Agent, or Firm* — Faegre Drinker Biddle & Reath LLP

(22) Filed: **May 7, 2020**

(30) **Foreign Application Priority Data**

Nov. 8, 2019 (EM) 007206180-0001

(51) **LOC (13) Cl.** **15-05**

(52) **U.S. Cl.**
USPC **D32/31**; D13/103

(58) **Field of Classification Search**
USPC D13/103, 106, 109, 180; D15/199;
D32/17, 25, 31

CPC ... A47L 9/2884; H01M 10/488; H05K 5/0013
See application file for complete search history.

(57) **CLAIM**

We claim the ornamental design for a vacuum cleaner battery, as shown and described.

(56) **References Cited**

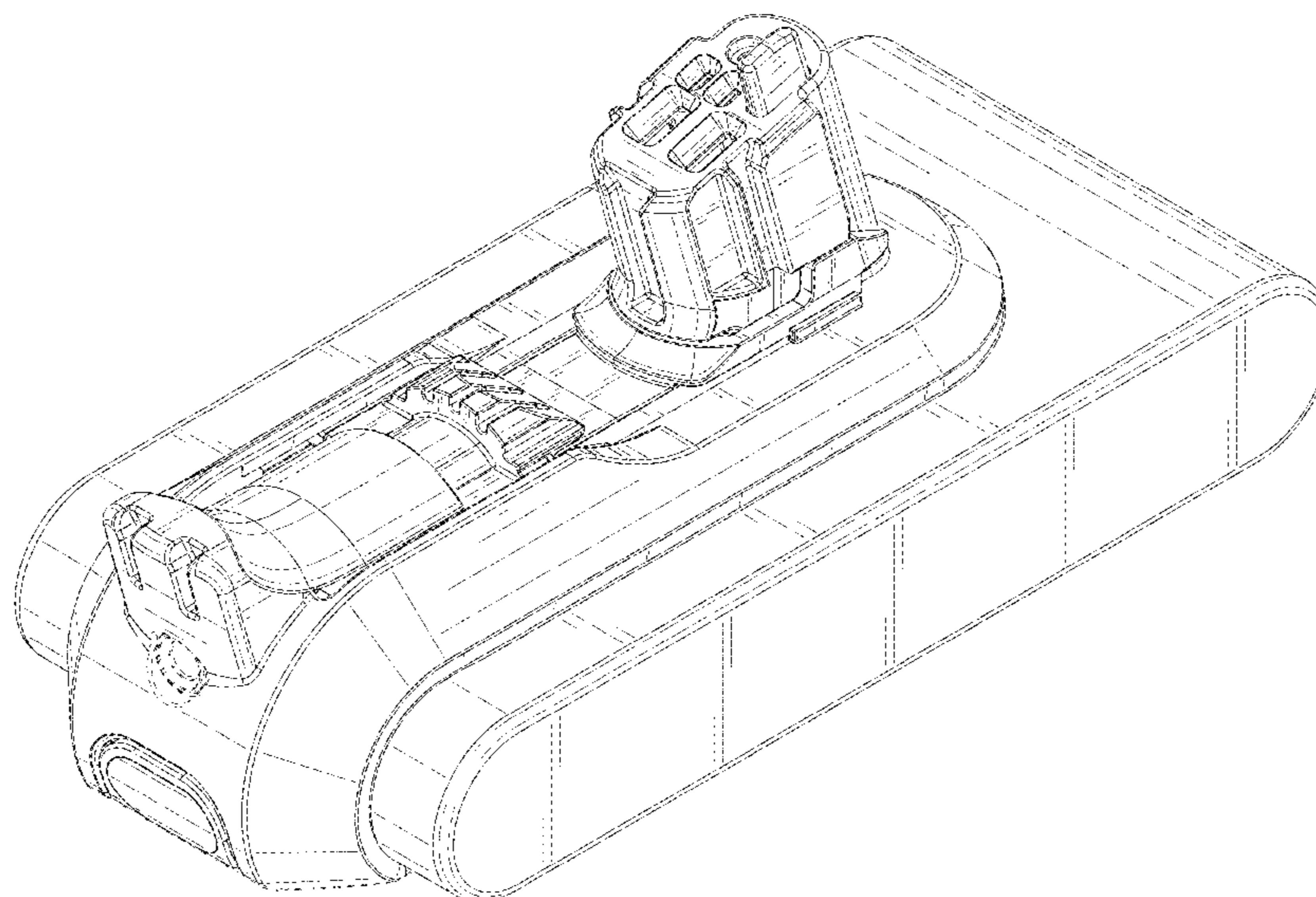
U.S. PATENT DOCUMENTS

D344,061 S * 2/1994 Tse D13/103
D344,708 S * 3/1994 Ho D13/108
D346,583 S * 5/1994 Mohri D13/108
5,630,193 A 5/1997 Miyake et al.
D412,485 S * 8/1999 Kato D13/103
D417,648 S * 12/1999 Clowers D13/103
D432,077 S * 10/2000 Zurwelle D13/103
6,730,432 B1 5/2004 Grosfeld et al.

DESCRIPTION

FIG. 1 is a front perspective view of a vacuum cleaner battery showing our new design;
FIG. 2 is a front view thereof;
FIG. 3 is a rear view thereof;
FIG. 4 is a side view thereof;
FIG. 5 is a side view of the opposite side of FIG. 4;
FIG. 6 is a top view thereof; and,
FIG. 7 is a bottom view thereof.
The broken lines shown in the drawings illustrate portions of a vacuum cleaner battery that form no part of the claimed design.

1 Claim, 7 Drawing Sheets



(56)

References Cited

U.S. PATENT DOCUMENTS

D553,562 S * 10/2007 Okada D13/103
 D580,353 S * 11/2008 Harrison D13/103
 D589,440 S * 3/2009 Van Wambeke D13/103
 D606,935 S * 12/2009 Murayama D13/103
 D610,082 S * 2/2010 Sweeney D13/103
 D629,746 S * 12/2010 Workman D13/103
 D633,036 S * 2/2011 Murray D13/103
 D662,050 S * 6/2012 Tien D13/108
 8,617,741 B2 12/2013 Takeshita et al.
 9,072,163 B2 6/2015 Li et al.
 9,461,282 B2 10/2016 Gee et al.
 9,504,364 B2 11/2016 Reed et al.
 9,711,986 B2 * 7/2017 Sunderland B25F 5/02
 D801,919 S * 11/2017 Elder D13/103
 D812,555 S * 3/2018 Schoch D13/103
 9,917,285 B1 3/2018 Motoyama et al.
 10,148,111 B2 12/2018 Reed
 10,297,878 B2 * 5/2019 Stickney A47L 5/24
 D858,432 S * 9/2019 Altenburger D13/103
 D862,382 S * 10/2019 Altenburger D13/103
 D916,157 S * 4/2021 Micut D13/168
 D935,996 S * 11/2021 Okuda D13/103
 D945,506 S * 3/2022 Abel D15/199
 2004/0233630 A1 11/2004 Imamura

2006/0088377 A1 4/2006 Rejman et al.
 2007/0148535 A1 6/2007 Nagai et al.
 2008/0150481 A1 6/2008 Glauning et al.
 2008/0187822 A1 8/2008 Breitenbach
 2008/0254349 A1 10/2008 Gong
 2010/0103613 A1 4/2010 Fang et al.
 2010/0192314 A1 8/2010 Otsuka et al.
 2014/0038018 A1 2/2014 Zhang et al.
 2016/0293912 A1 10/2016 Manion et al.
 2017/0025650 A1 1/2017 Altenburger et al.
 2018/0055324 A1 3/2018 Hwang et al.
 2018/0166841 A1 6/2018 Chen
 2018/0183022 A1 6/2018 Han et al.
 2019/0237716 A1 8/2019 Sperl et al.
 2019/0312242 A1 * 10/2019 Barton B25F 5/02

FOREIGN PATENT DOCUMENTS

KR 10-2009-0042591 A 4/2009
 KR 301109201.0000 * 5/2021

OTHER PUBLICATIONS

dyson.com replacement battery <https://www.dyson.com/support/journey/tools/970425-01> (Year: 2022).*

* cited by examiner

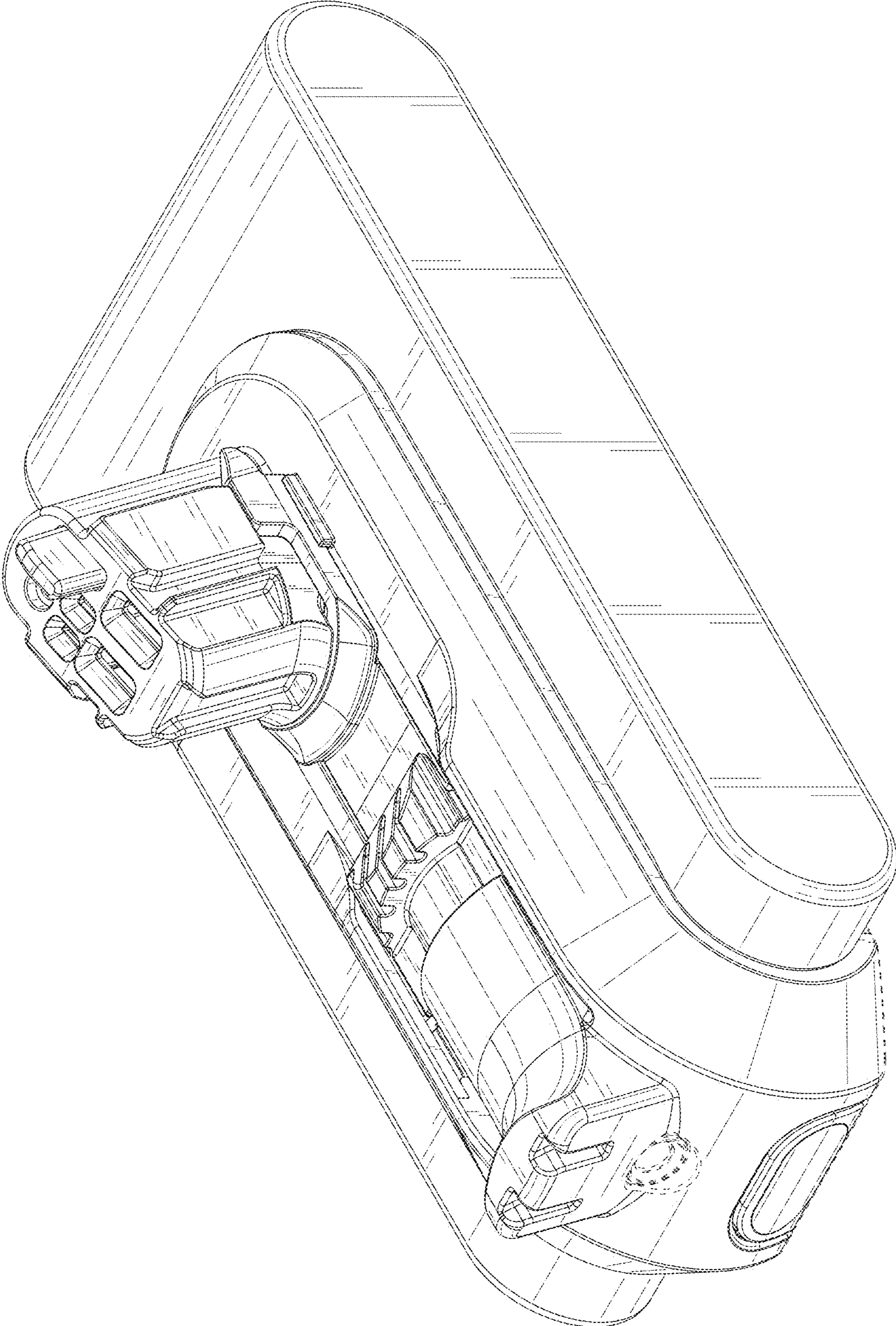


FIG. 1

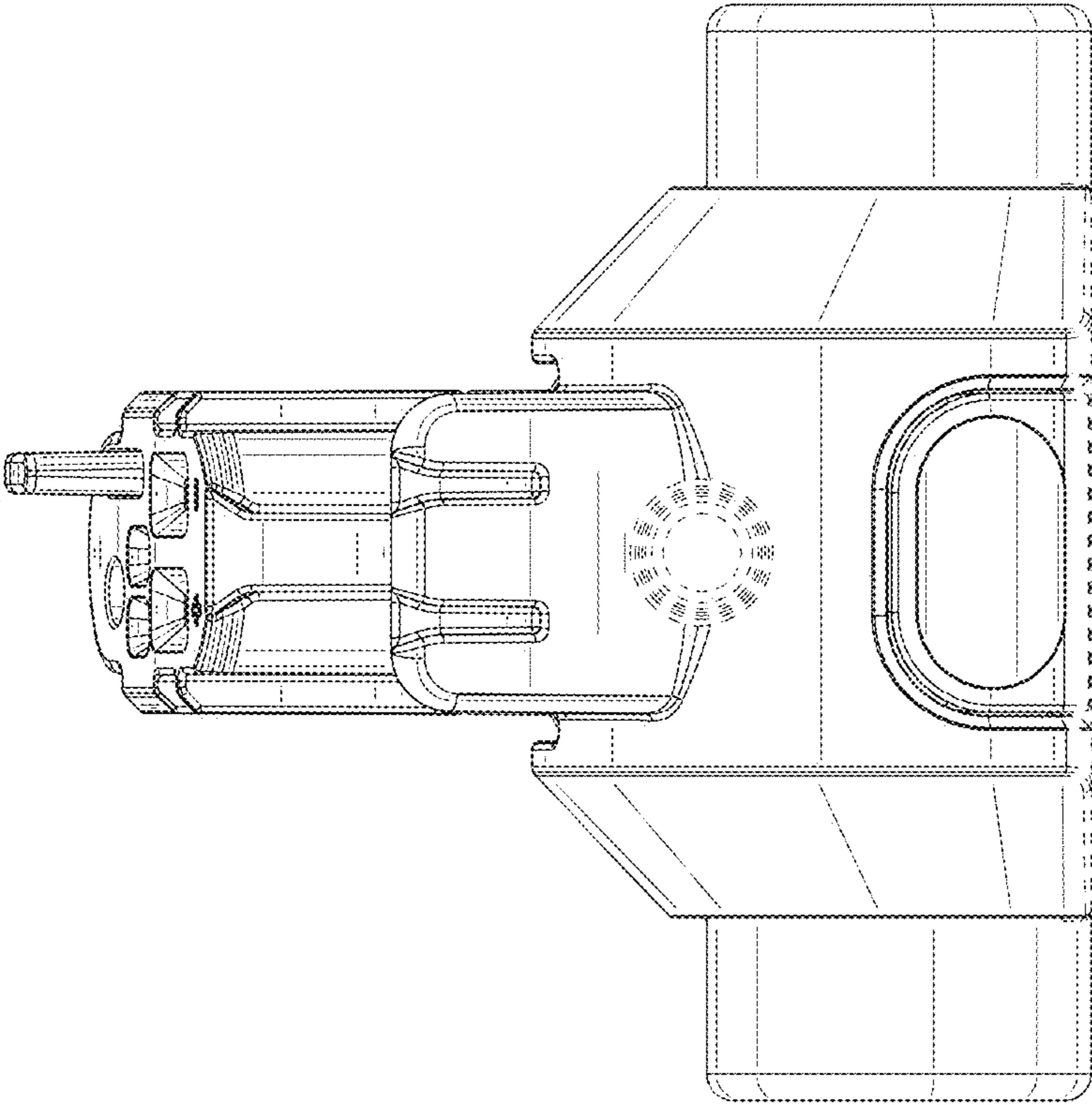


FIG. 2

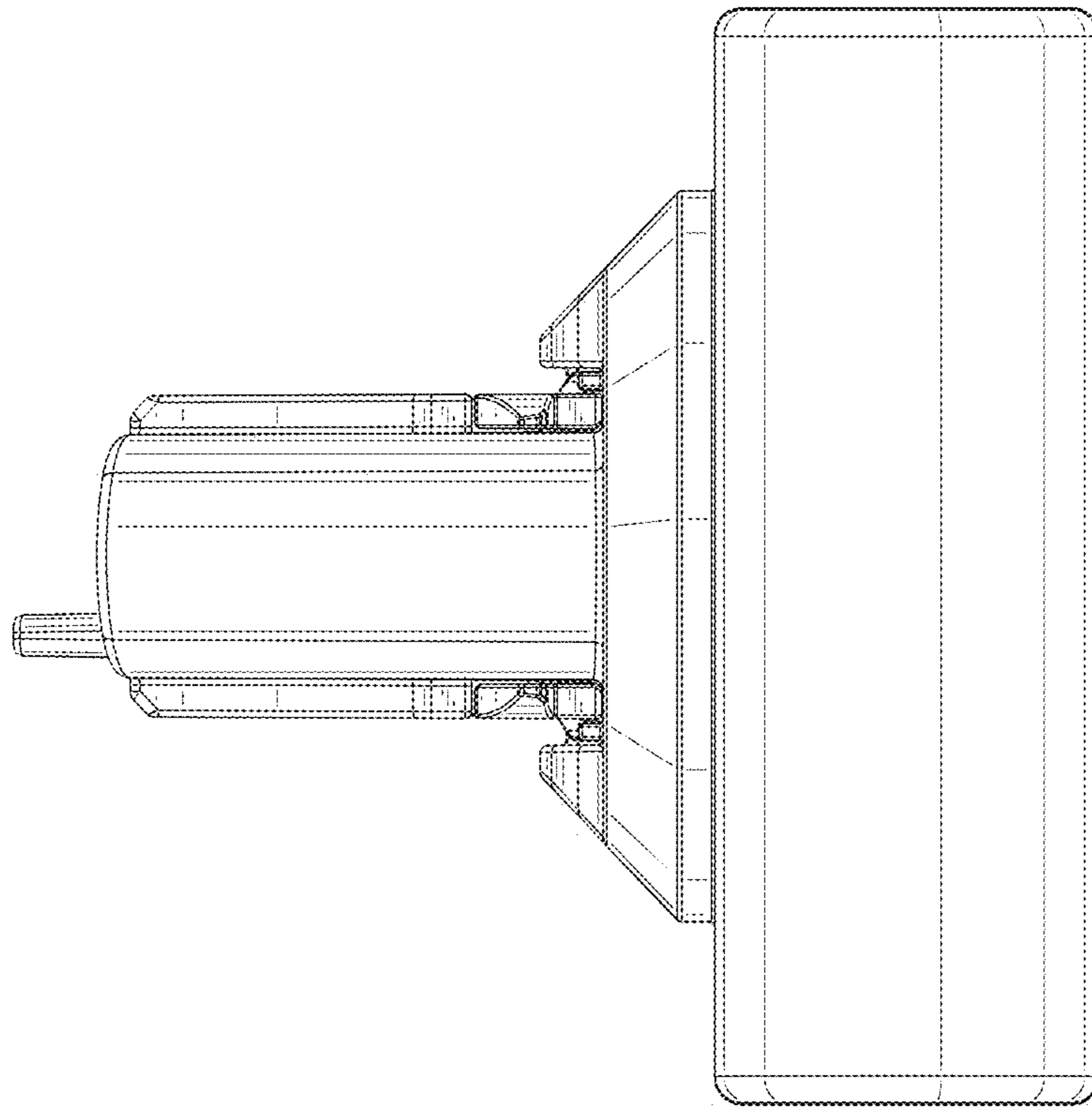


FIG. 3

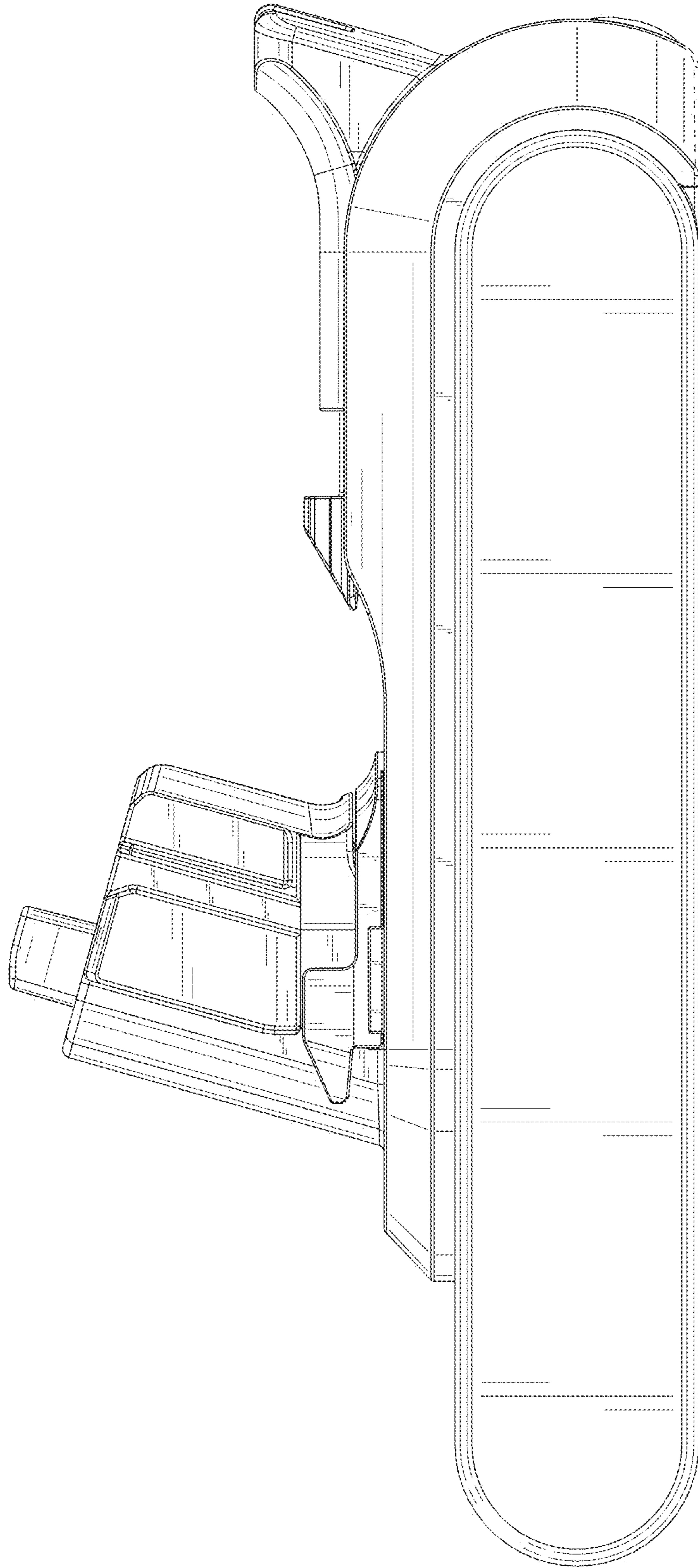


FIG. 4

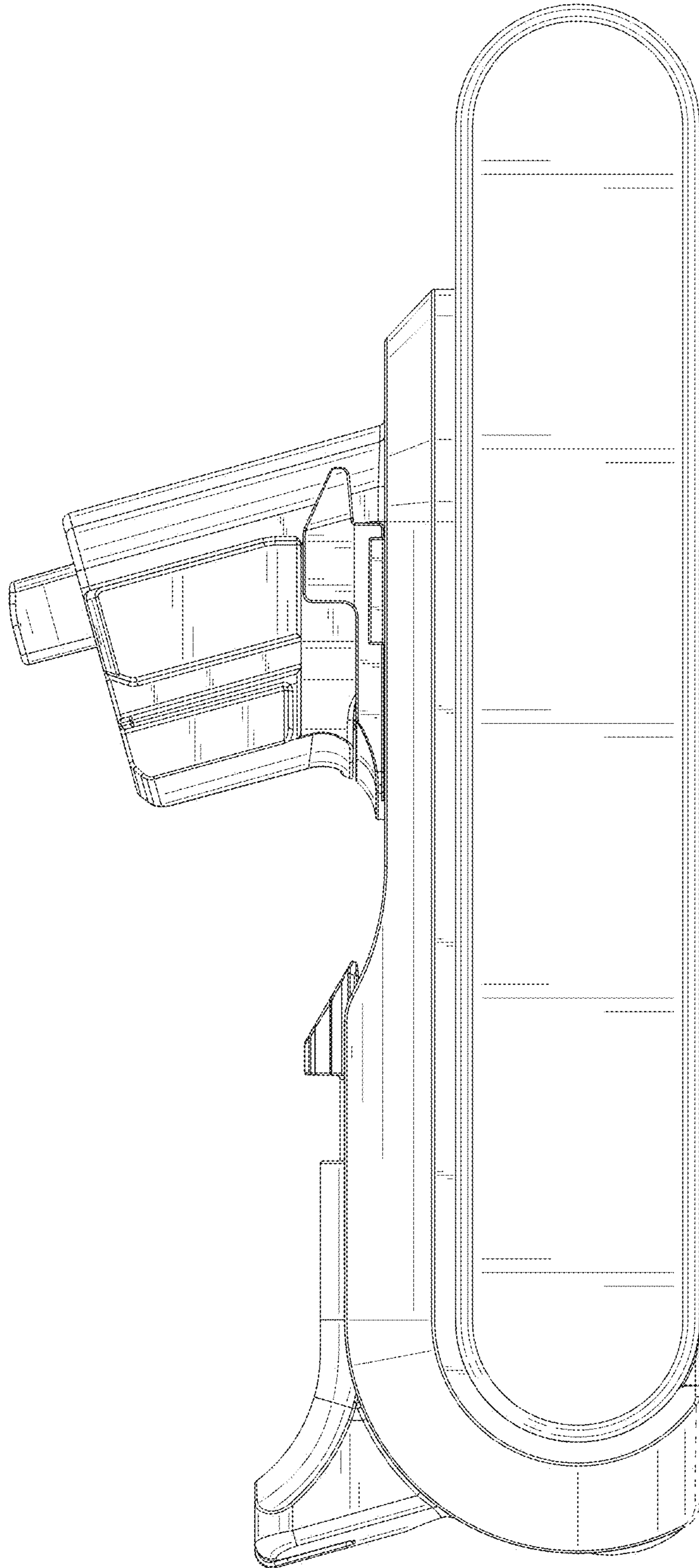


FIG. 5

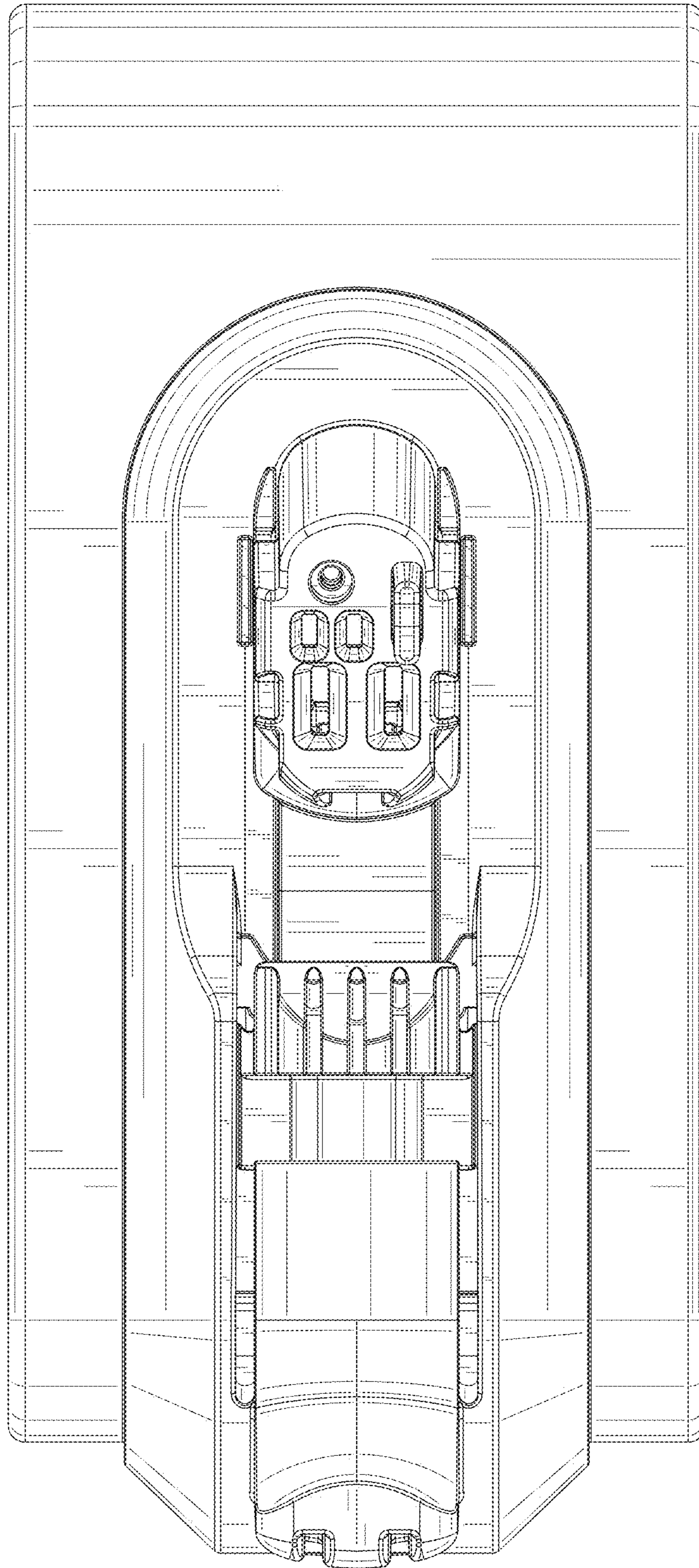


FIG. 6

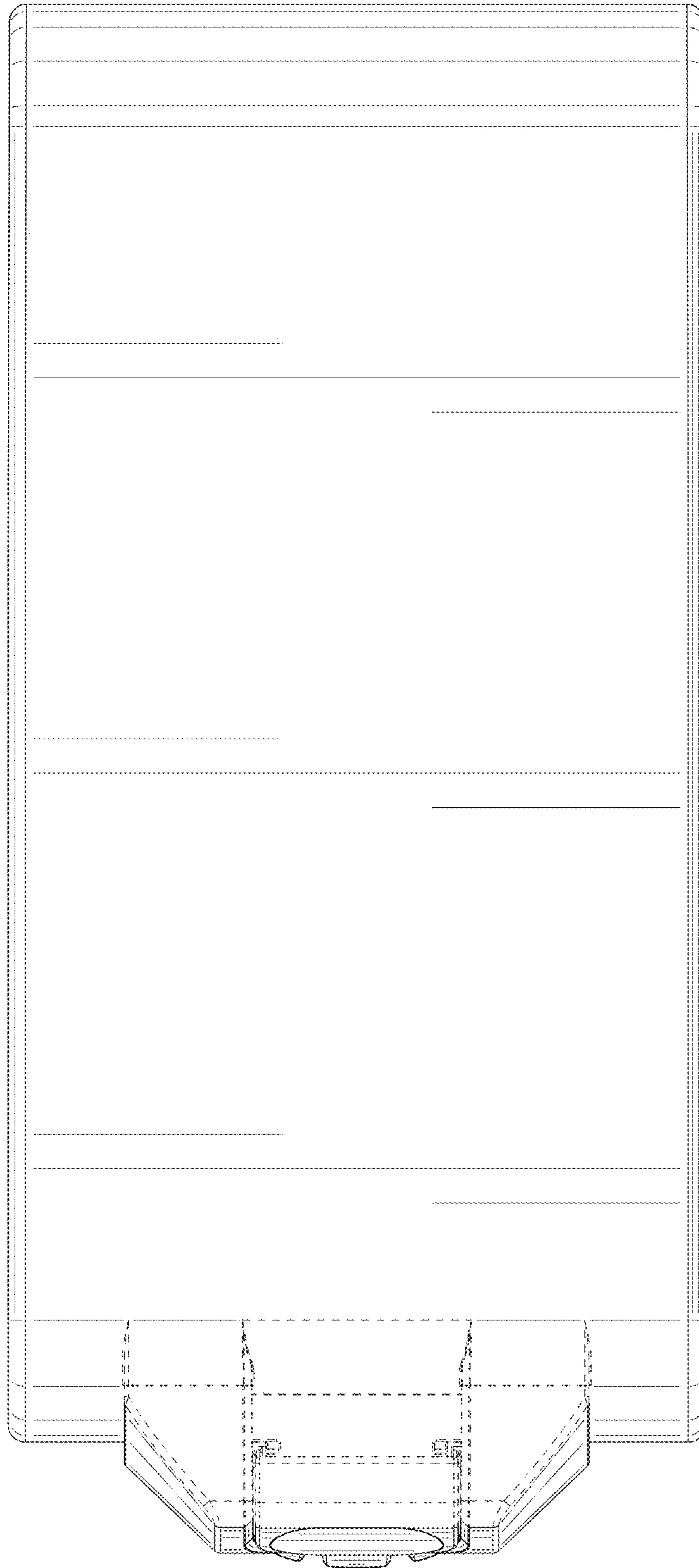


FIG. 7