



US00D967574S

(12) **United States Design Patent**  
**Deng et al.**

(10) **Patent No.:** **US D967,574 S**

(45) **Date of Patent:** **\*\* Oct. 18, 2022**

- (54) **VACUUM CLEANER**
- (71) Applicant: **Shenzhen Juneng Vehicle Technology CO., LTD.**, Shenzhen (CN)
- (72) Inventors: **Haiquan Deng**, Shenzhen (CN);  
**Longlin Chen**, Shenzhen (CN)
- (73) Assignee: **Shenzhen Juneng Vehicle Technology CO., LTD.**, Shenzhen (CN)

- (\*\*) Term: **15 Years**
- (21) Appl. No.: **29/764,012**
- (22) Filed: **Dec. 28, 2020**

(30) **Foreign Application Priority Data**

Oct. 15, 2020 (CN) ..... 202030613410.X

(51) **LOC (13) Cl.** ..... **15-05**

(52) **U.S. Cl.**  
USPC ..... **D32/18**

(58) **Field of Classification Search**  
USPC ..... D32/17, 18, 21, 25, 31, 32, 33, 34  
CPC ..... A47L 11/24; A47L 11/33; A47L 11/32;  
A47L 9/1666; A47L 9/1608; A47L 11/00;  
A47L 11/38; Y10S 55/03  
See application file for complete search history.

(56) **References Cited**

**U.S. PATENT DOCUMENTS**

D668,010	S	*	9/2012	Stickney	.....	D32/18
D668,823	S	*	10/2012	Stickney	.....	D32/18
D818,222	S	*	5/2018	Nam	.....	D32/18
D818,223	S	*	5/2018	Nam	.....	D32/18
D826,493	S	*	8/2018	Nam	.....	D32/18
D839,509	S	*	1/2019	Nam	.....	D32/18
D839,510	S	*	1/2019	Nam	.....	D32/18
D840,616	S	*	2/2019	Carter	.....	D32/18

D868,400	S	*	11/2019	Niedzwecki	.....	D32/18
D872,394	S	*	1/2020	Yang	.....	D32/18
D872,398	S	*	1/2020	Yang	.....	D32/31
D872,952	S	*	1/2020	Yang	.....	D32/18
D927,103	S	*	8/2021	Zou	.....	D32/18
D927,109	S	*	8/2021	Chei	.....	D32/18
D936,311	S	*	11/2021	Liu	.....	D32/18
D945,092	S	*	3/2022	Liu	.....	D32/18
2020/0037834	A1	*	2/2020	Li	.....	A47L 9/0081

**OTHER PUBLICATIONS**

Amazon.com Levoit Cordless Stick Vacuum [https://www.amazon.com/LEVOIT-Cordless-Lightweight-VortexIQ-40/dp/B09SG9B6KR/ref=sr\\_1\\_16\\_sspa](https://www.amazon.com/LEVOIT-Cordless-Lightweight-VortexIQ-40/dp/B09SG9B6KR/ref=sr_1_16_sspa) (Year: 2021).\*

\* cited by examiner

*Primary Examiner* — Michelle E. Wilson  
*Assistant Examiner* — Richard E Yenchesky  
(74) *Attorney, Agent, or Firm* — Banner & Witcoff, Ltd.

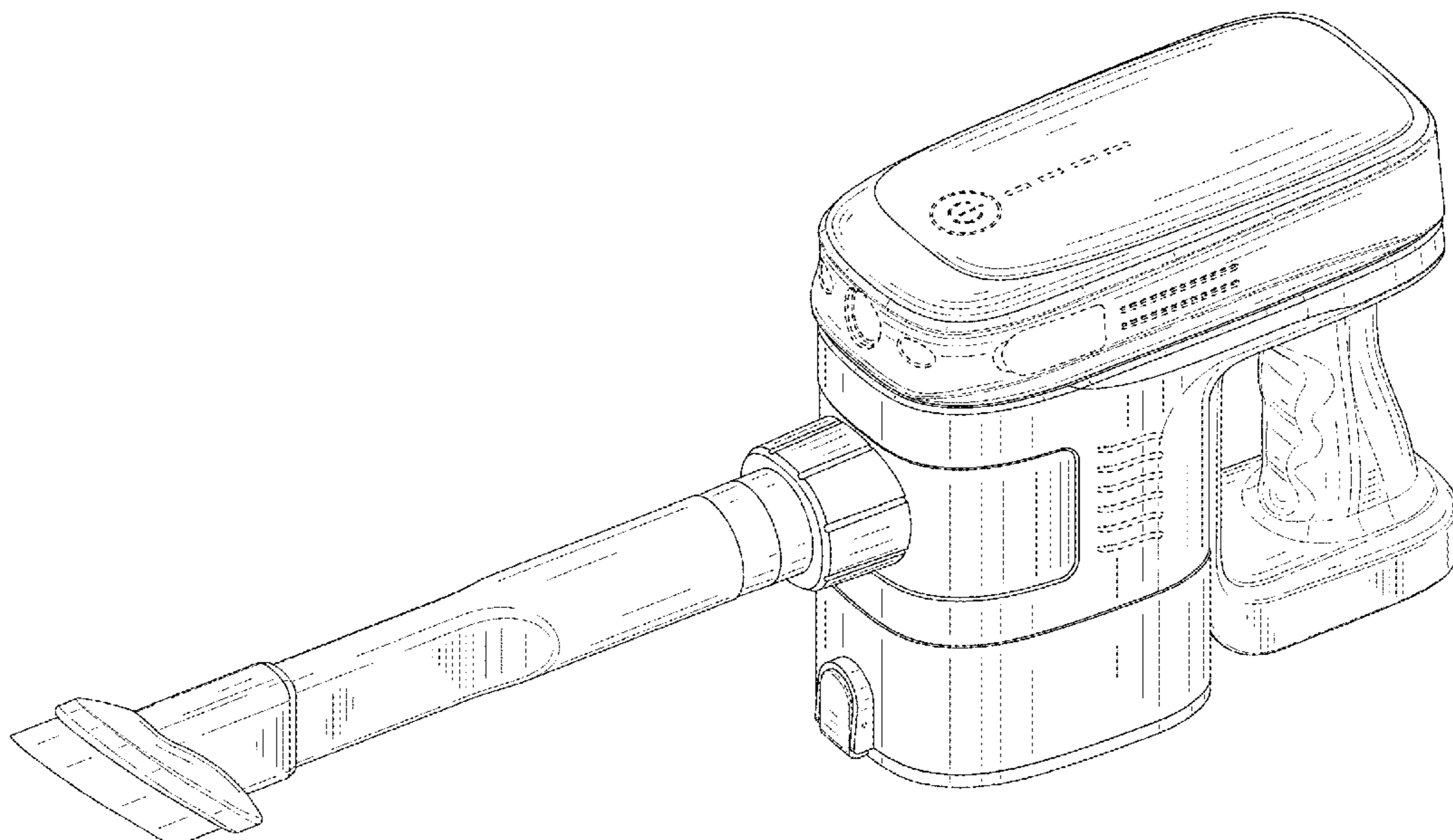
(57) **CLAIM**

The ornamental design for a vacuum cleaner, as shown and described.

**DESCRIPTION**

FIG. 1 is a side perspective view of the new design of a vacuum cleaner;  
FIG. 2 is another side perspective view thereof;  
FIG. 3 is a front elevation view thereof;  
FIG. 4 is a rear elevation view thereof;  
FIG. 5 is a right side view thereof;  
FIG. 6 is a left side view thereof;  
FIG. 7 is a top view thereof; and,  
FIG. 8 is a bottom view thereof.  
The broken (dashed) lines show portions of the vacuum cleaner that form no part of the claimed design.

**1 Claim, 8 Drawing Sheets**



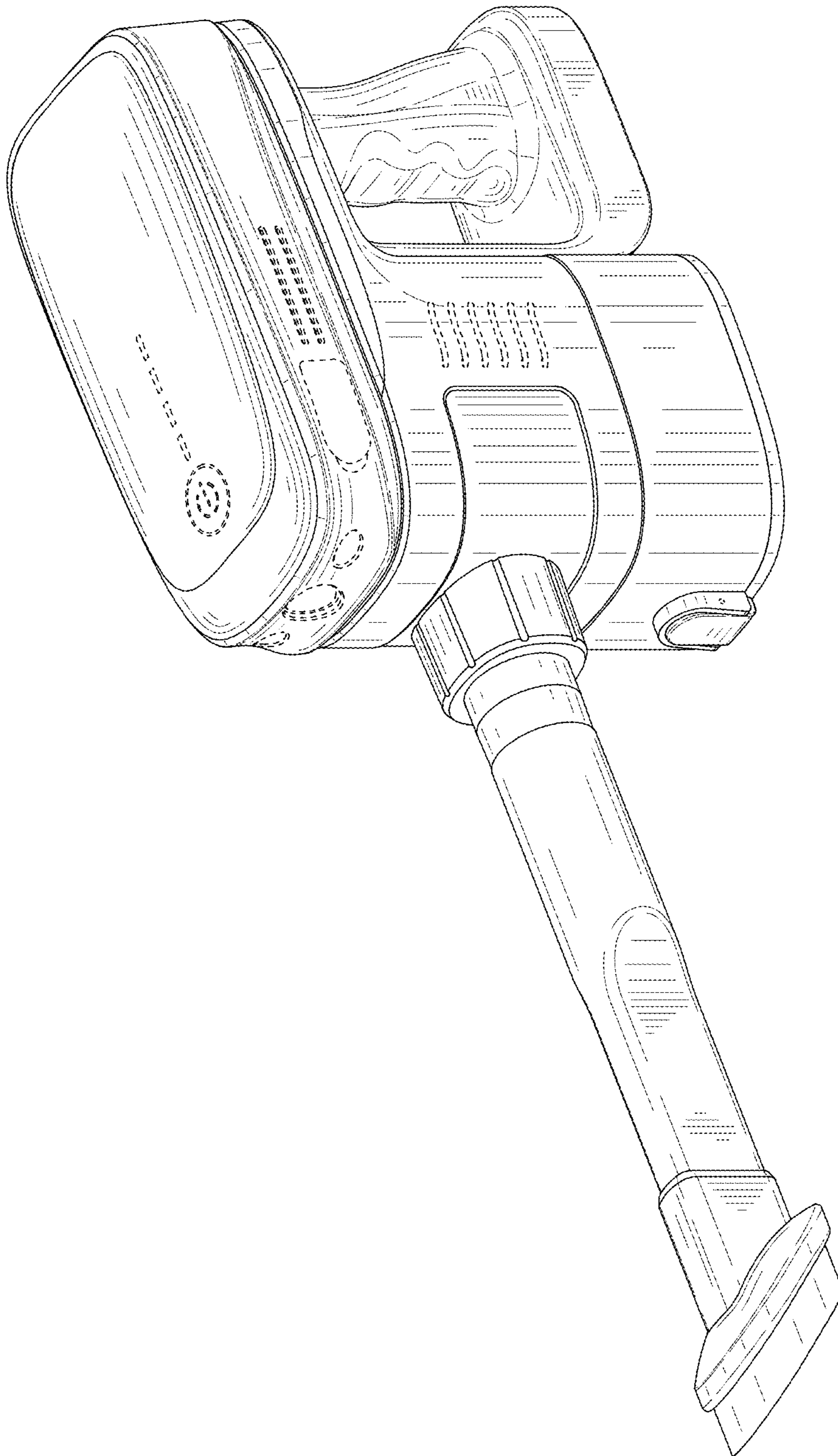


FIG. 1

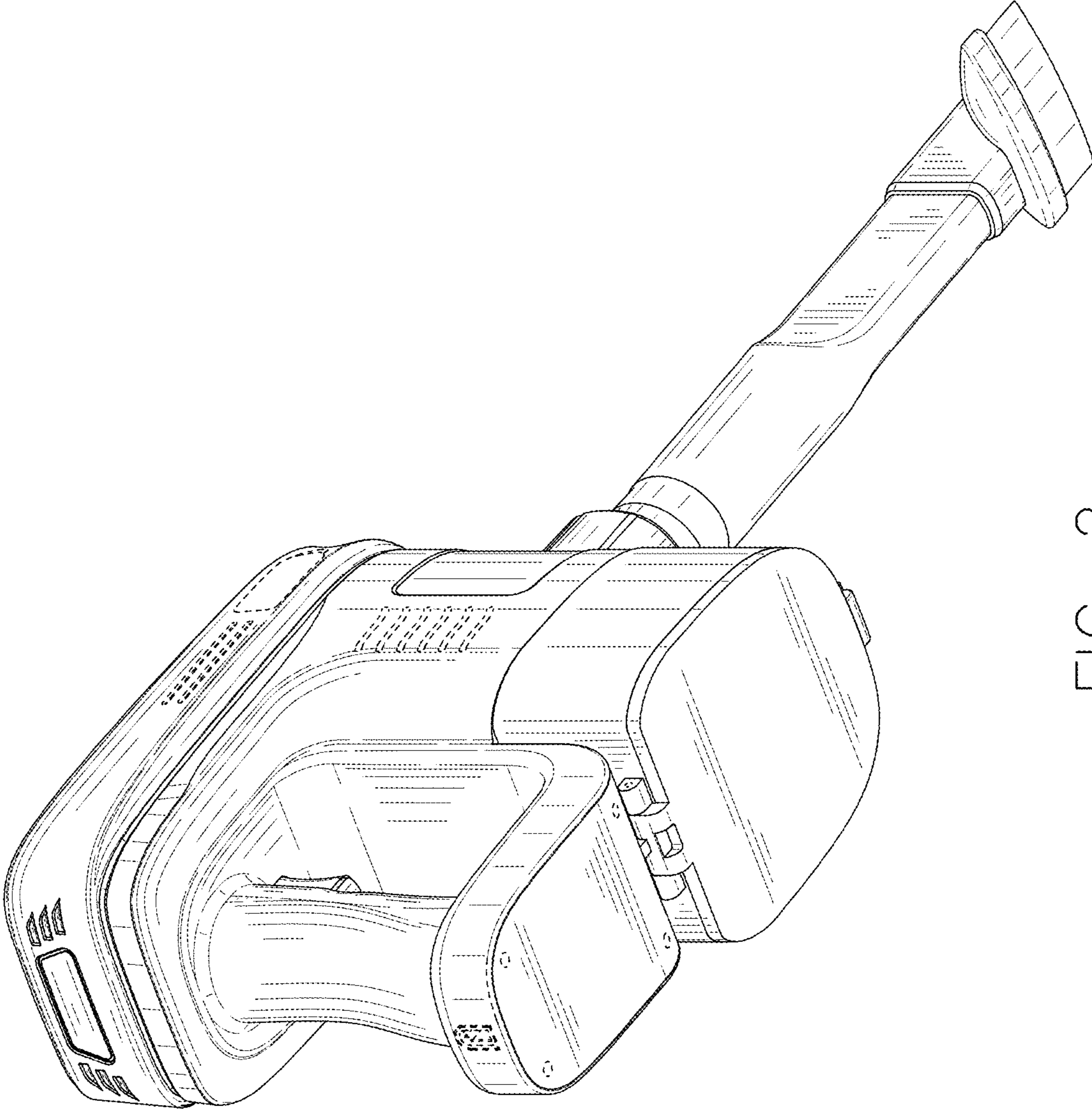


FIG. 2



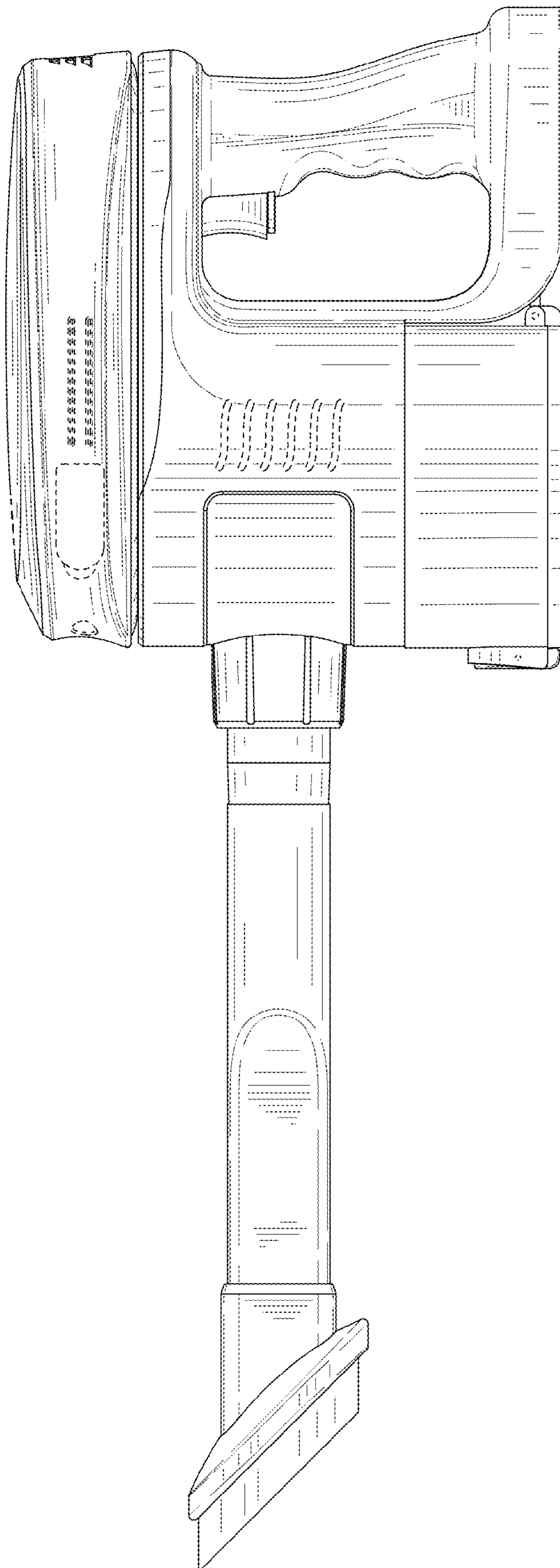


FIG. 3

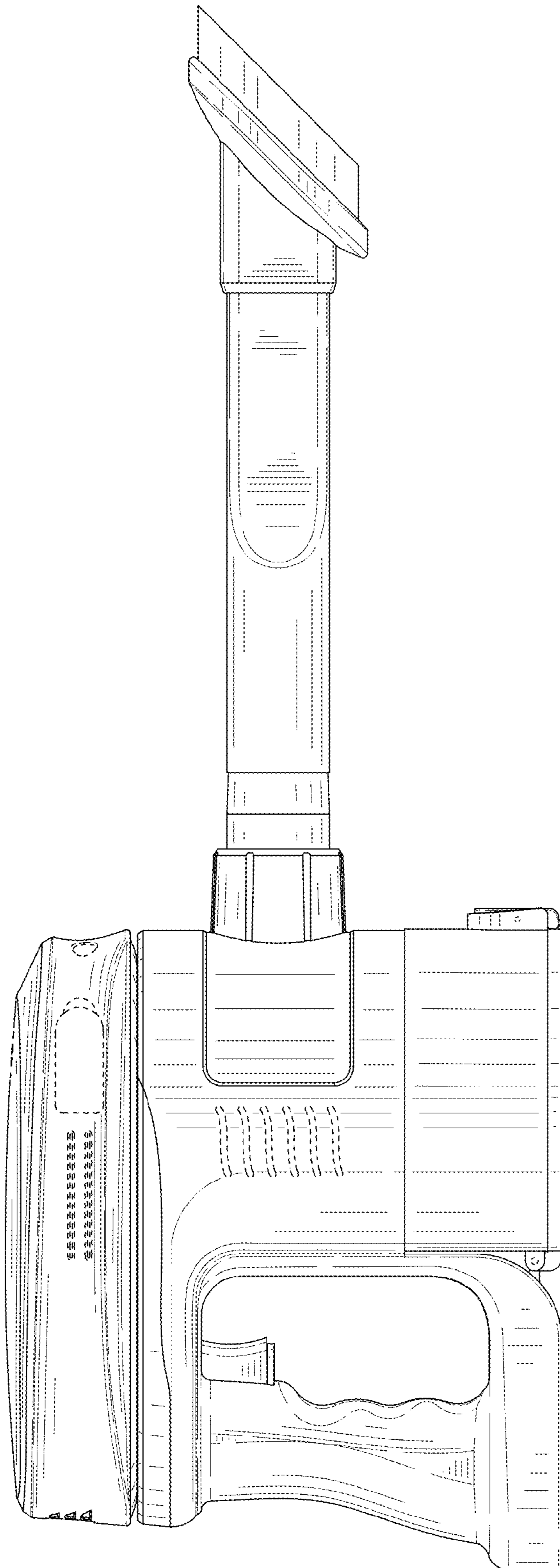


FIG. 4

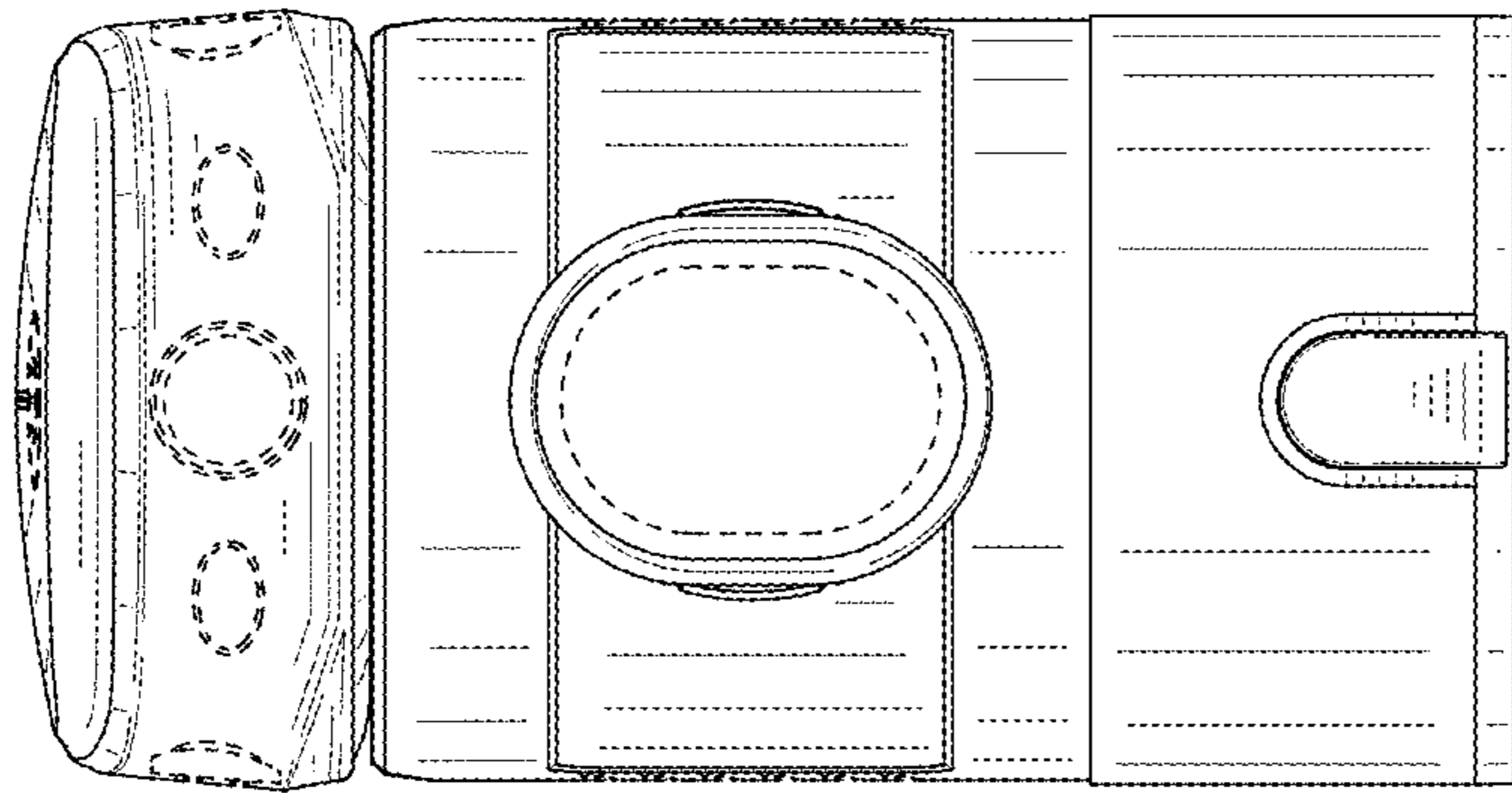


FIG. 5

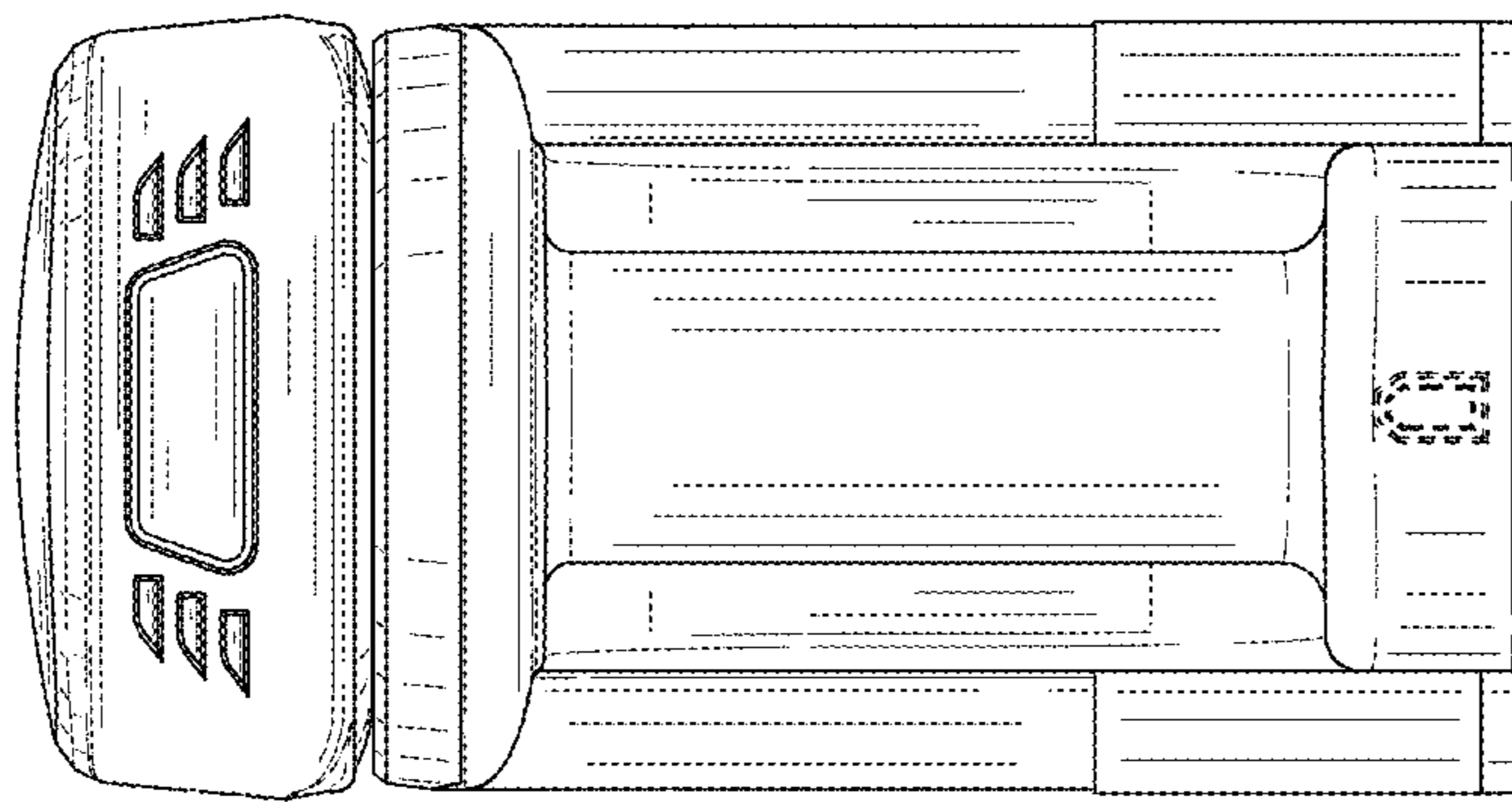


FIG. 6

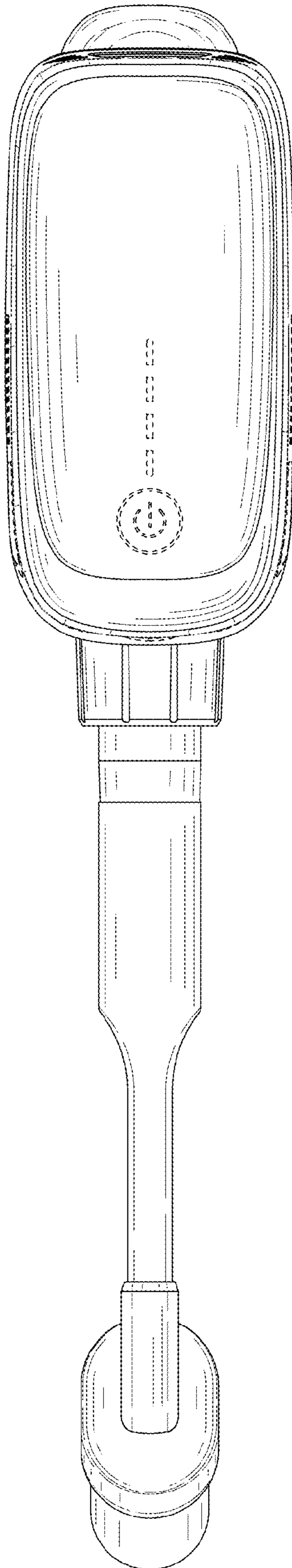


FIG. 7



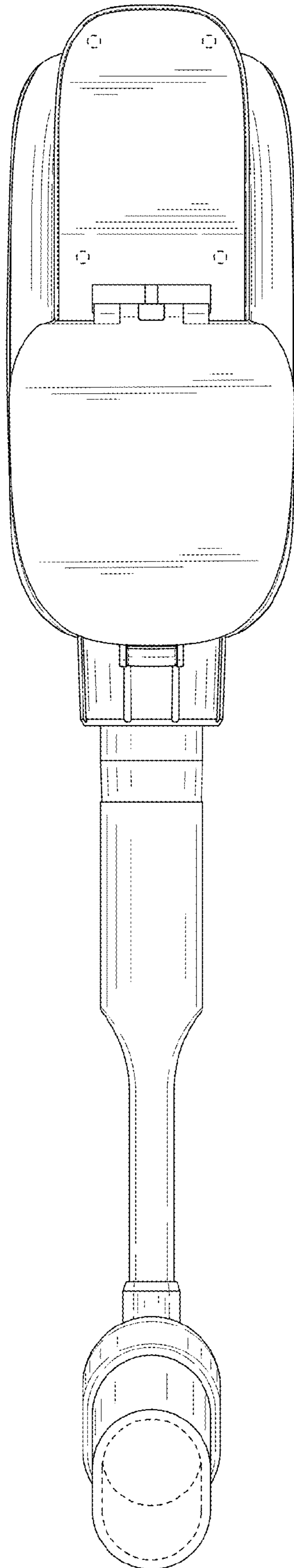


FIG. 8