



US00D967573S

(12) **United States Design Patent** (10) **Patent No.:** **US D967,573 S**
Jiang et al. (45) **Date of Patent:** **** Oct. 18, 2022**

- (54) **HANDHELD VACUUM CLEANER**
- (71) Applicant: **Anker Innovations Technology Co. Ltd.**, Changsha (CN)
- (72) Inventors: **Fangyuan Jiang**, Shenzhen (CN); **Chao Ren**, Shenzhen (CN)
- (73) Assignee: **Anker Innovations Technology Co. Ltd.**, Changsha (CN)
- (**) Term: **15 Years**
- (21) Appl. No.: **29/755,927**
- (22) Filed: **Oct. 23, 2020**
- (51) **LOC (13) Cl.** **15-05**
- (52) **U.S. Cl.**
USPC **D32/18**
- (58) **Field of Classification Search**
USPC D32/17, 18, 21, 25, 31, 32, 33, 34, 23
CPC A47L 11/24; A47L 11/33; A47L 11/32;
A47L 9/1666; A47L 9/1608; A47L 11/00;
A47L 11/38; A47L 5/24; Y10S 55/03
See application file for complete search history.

D932,121 S * 9/2021 Gray D32/18
 D937,514 S * 11/2021 Zou D32/18
 D945,094 S * 3/2022 Jeon D06F 87/00
 D32/25
 2022/0022772 A1* 1/2022 Adams A61B 5/0816

FOREIGN PATENT DOCUMENTS

CN 305611436 * 2/2020
 GB 6186237 * 1/2022
 JP D1681347 * 3/2021

OTHER PUBLICATIONS

https://www.amazon.com/product-reviews/B07ZCW9GPW/ref=acr_dp_hist_3?ie=UTF8&filterByStar=three_star&reviewerType=all_reviews#reviews-filter-bar (Year: 2019).*

* cited by examiner

Primary Examiner — Kevin K Rudzinski
Assistant Examiner — Richard E Yenchesky
 (74) *Attorney, Agent, or Firm* — Banner & Witcoff, Ltd.

(57) **CLAIM**

The ornamental design for a handheld vacuum cleaner, as shown and described.

DESCRIPTION

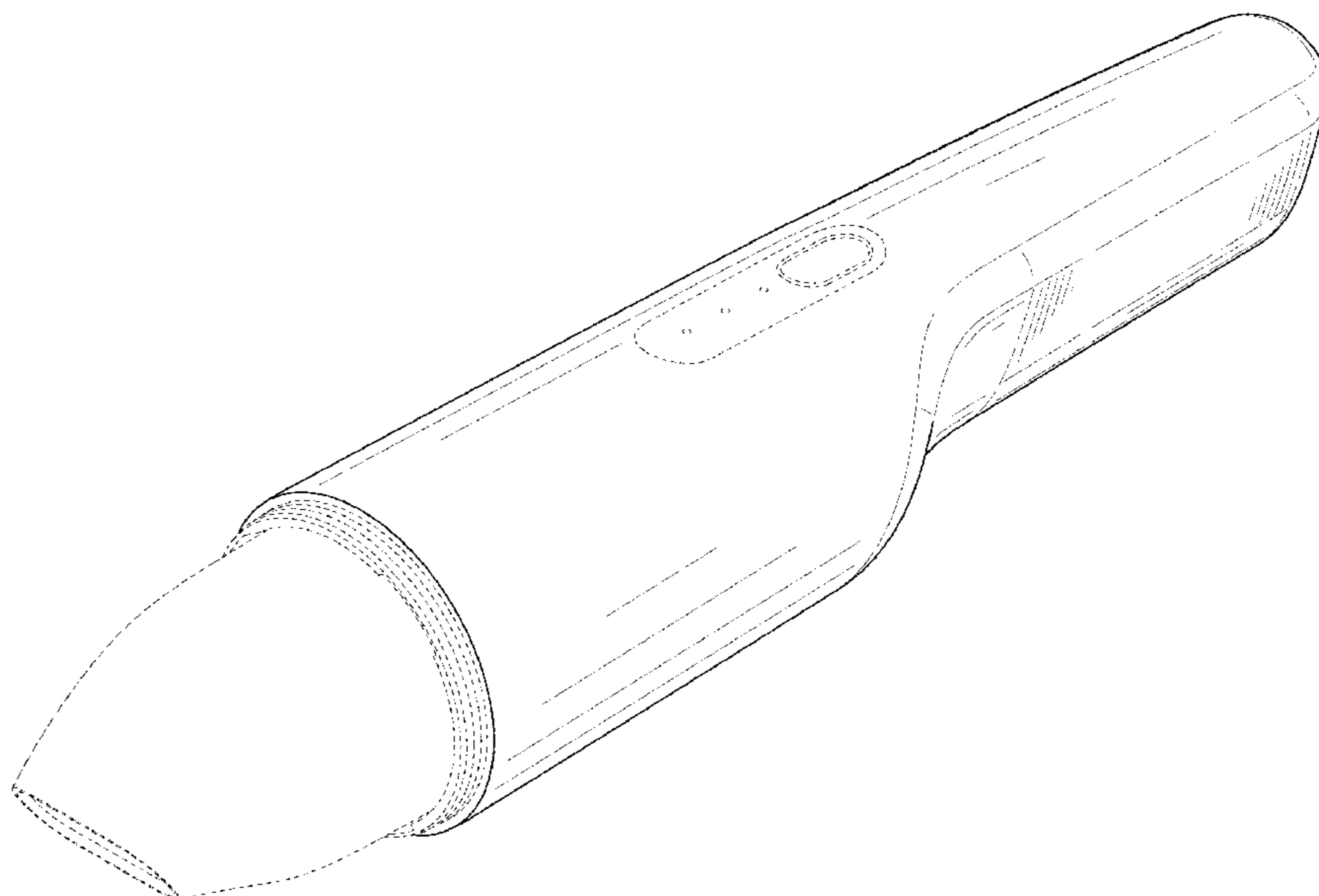
FIG. 1 is a front perspective view of a handheld vacuum cleaner showing our new design;
 FIG. 2 is a rear perspective view thereof;
 FIG. 3 is a right side view thereof;
 FIG. 4 is a left side view thereof;
 FIG. 5 is a bottom view thereof;
 FIG. 6 is a top view thereof;
 FIG. 7 is a front view thereof; and,
 FIG. 8 is a rear view thereof.
 The broken lines depicting the remainder of the handheld vacuum cleaner form no part of the claimed design.

1 Claim, 8 Drawing Sheets

(56) **References Cited**

U.S. PATENT DOCUMENTS

D303,856 S * 10/1989 Yuen D32/18
 D512,192 S * 11/2005 Shim D32/18
 D773,130 S * 11/2016 Gray D32/18
 D790,782 S * 6/2017 Bruneel D32/18
 D803,492 S * 11/2017 Jang D32/18
 D807,598 S * 1/2018 Houghton D32/18
 D812,829 S * 3/2018 Shin D06F 87/00
 D32/25
 D835,867 S * 12/2018 Jang D32/18
 D855,908 S * 8/2019 Tu D32/18
 D891,014 S * 7/2020 Chu D32/18
 D925,847 S * 7/2021 Xia D32/18
 D927,804 S * 8/2021 Song D32/18



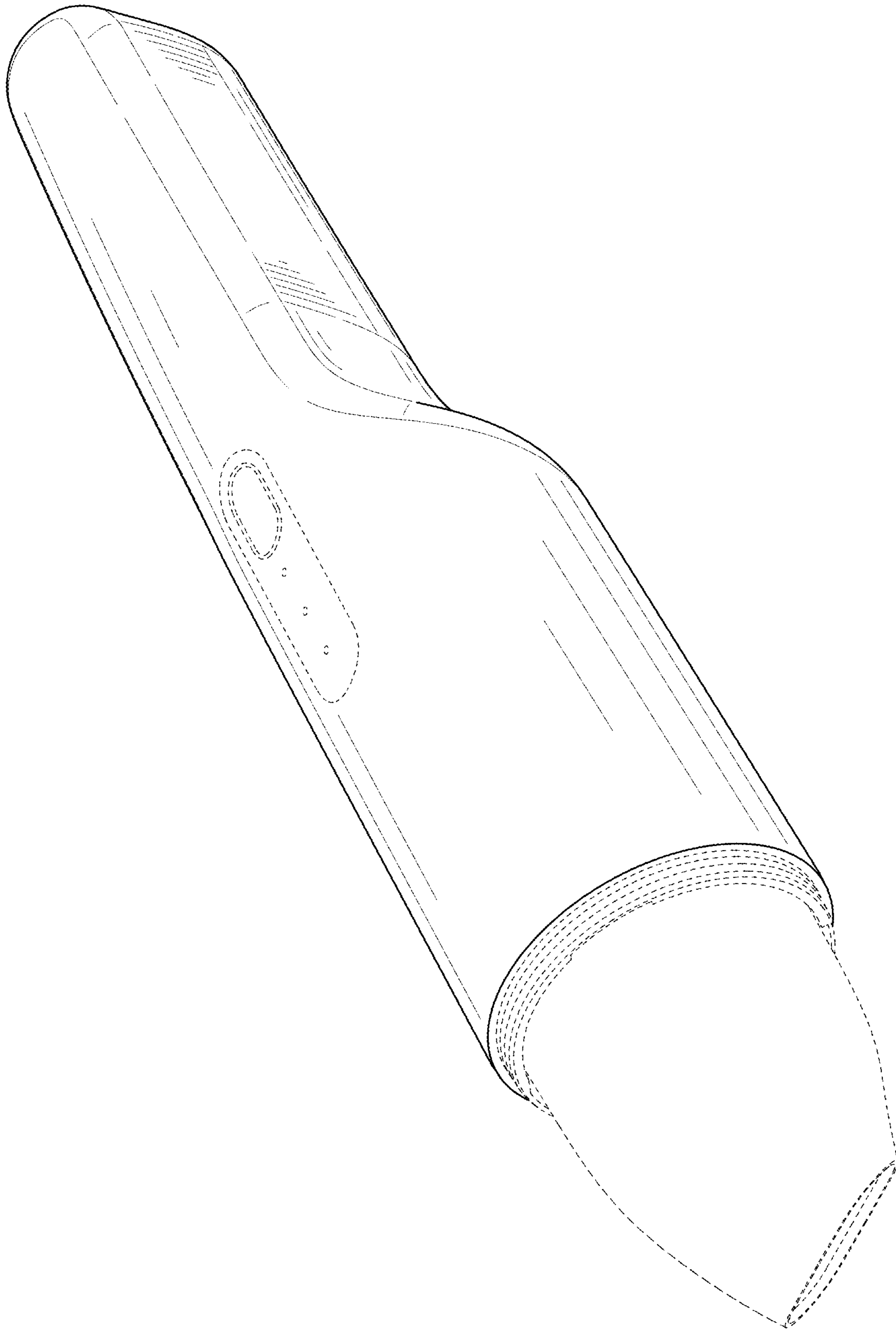


FIG. 1

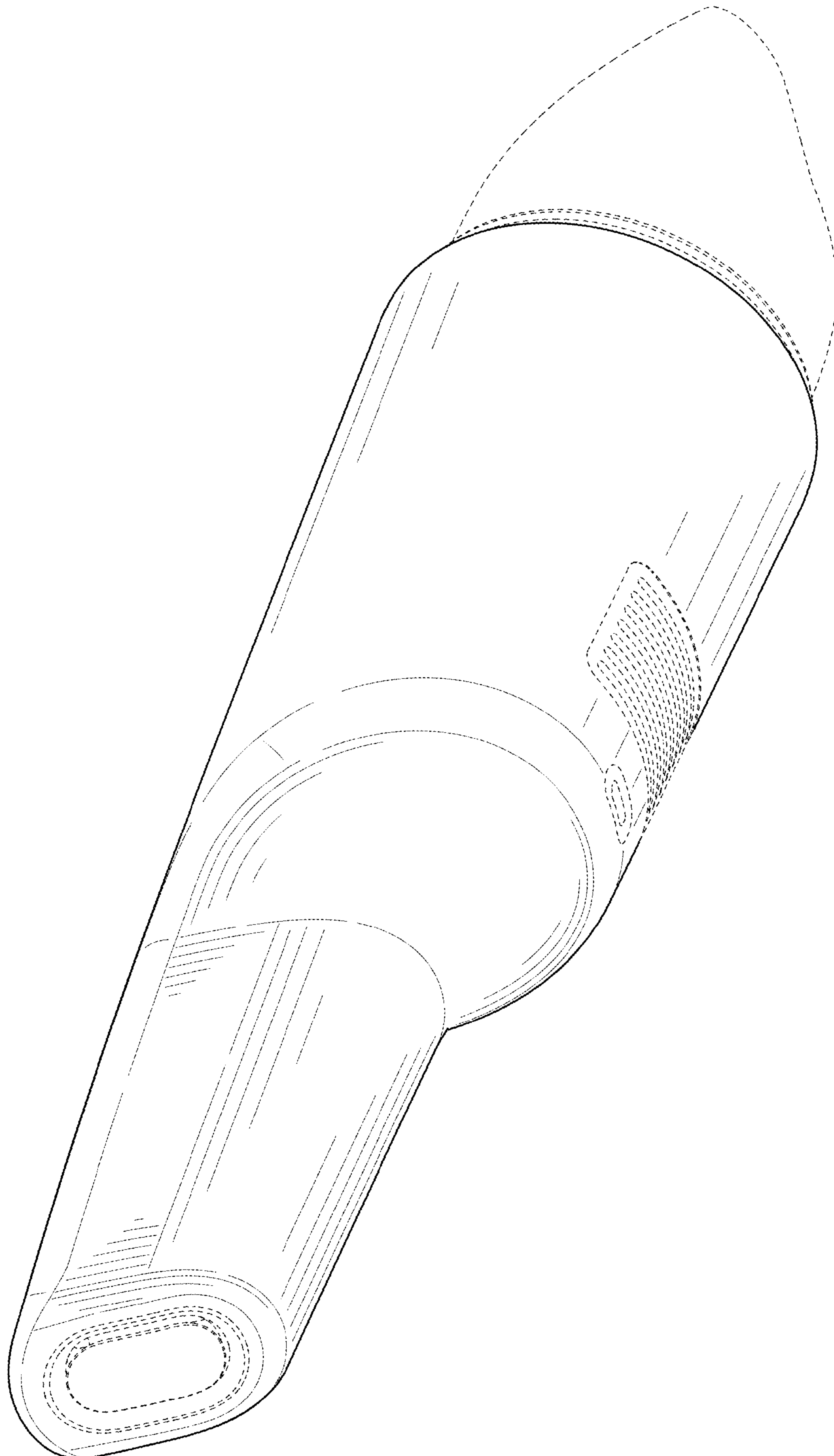


FIG. 2

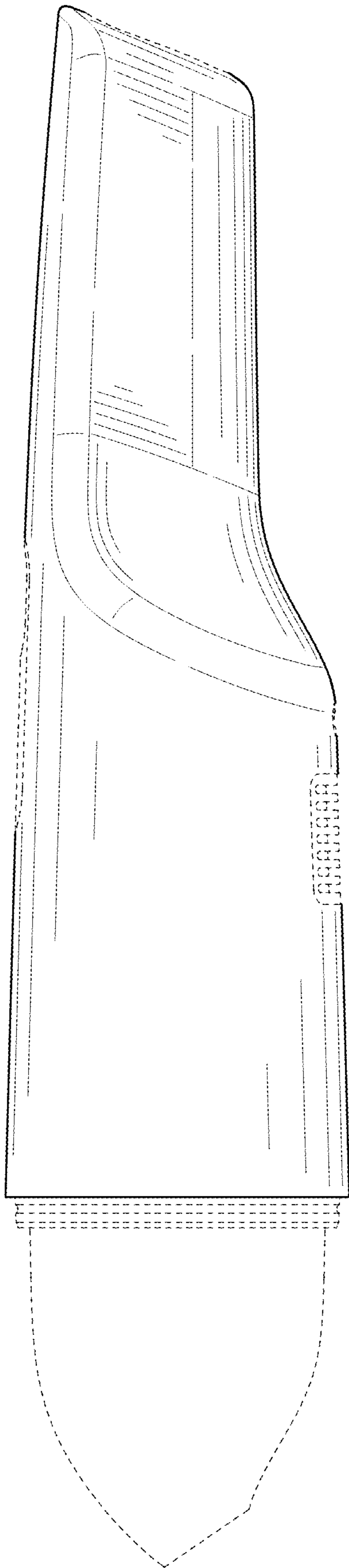


FIG. 3

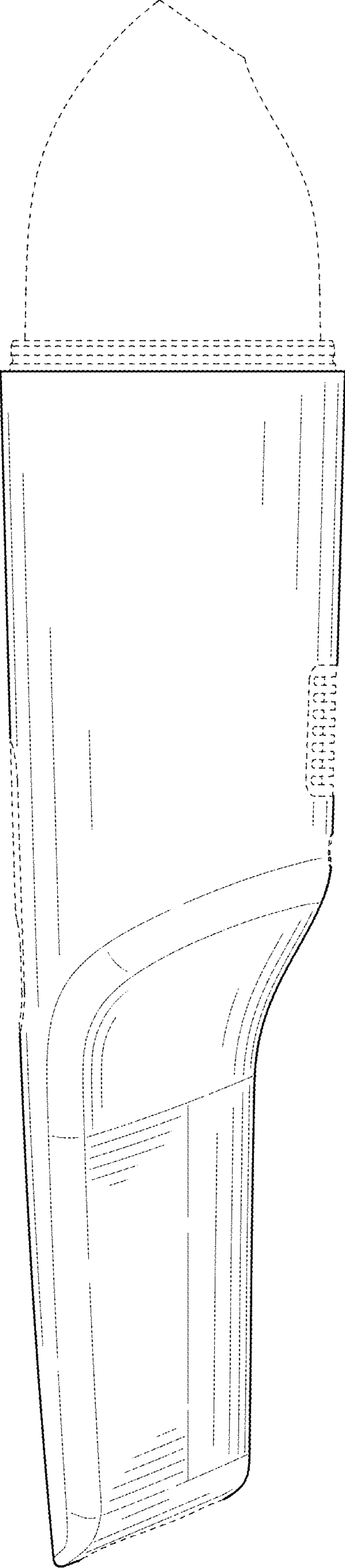


FIG. 4

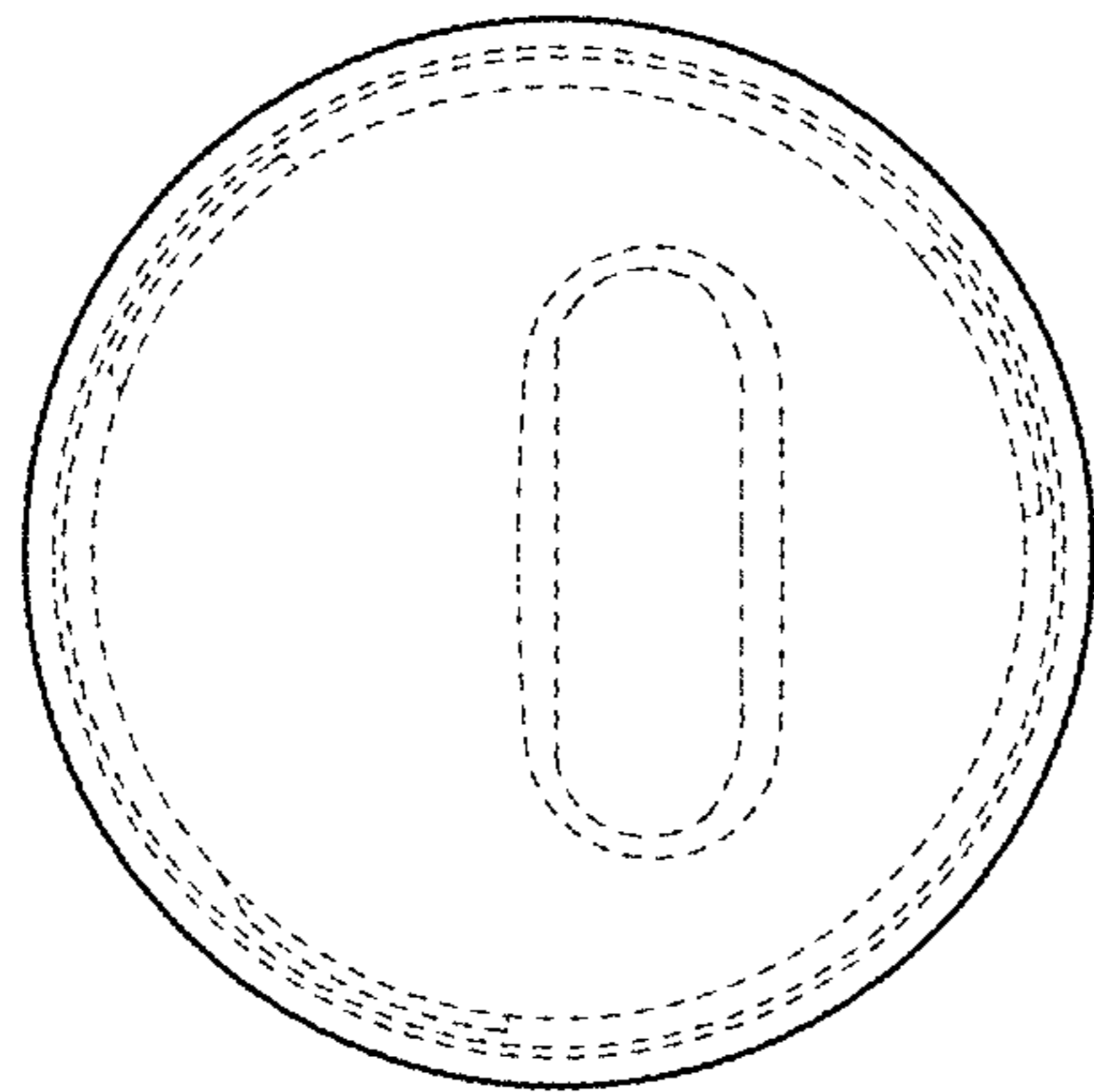


FIG. 5

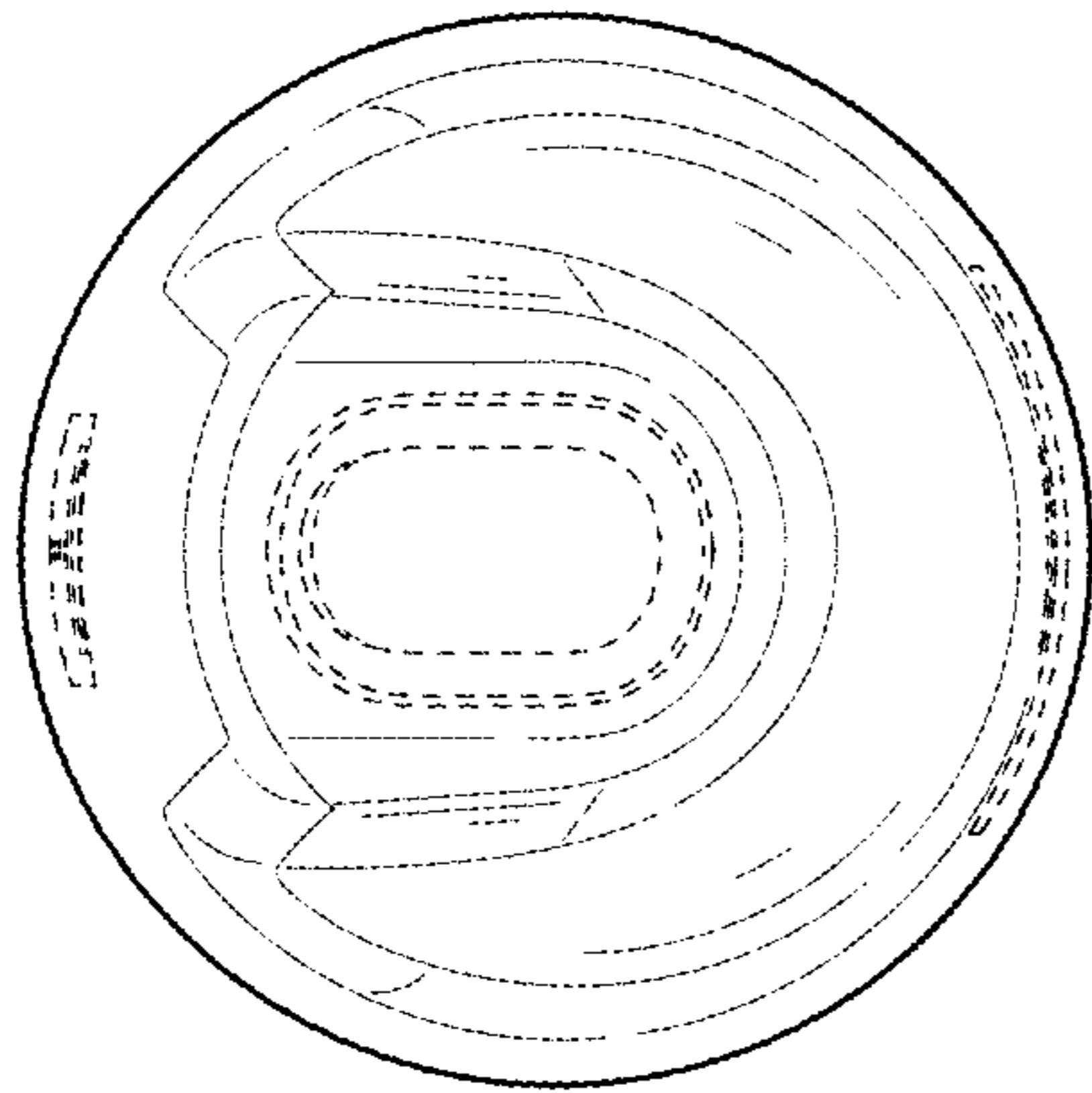


FIG. 6

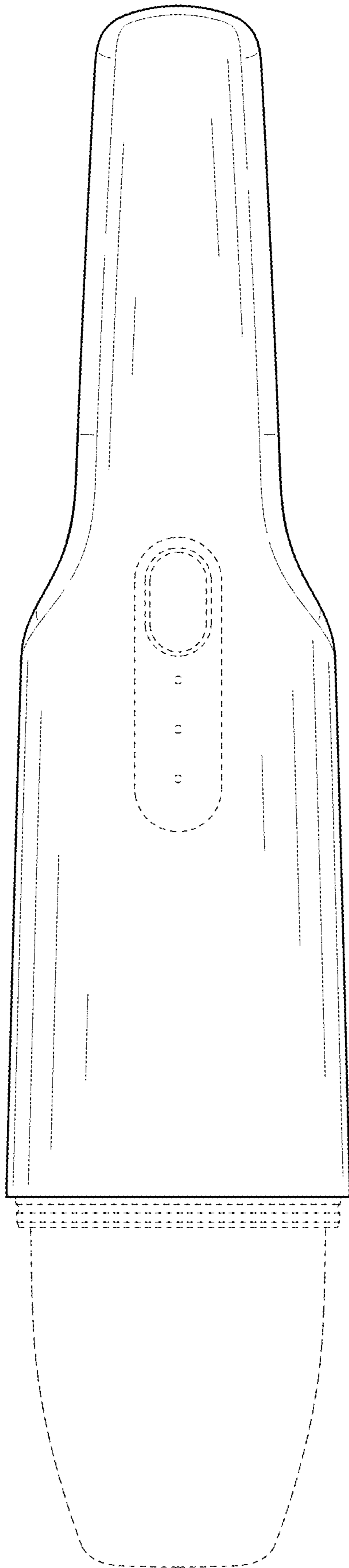


FIG. 7

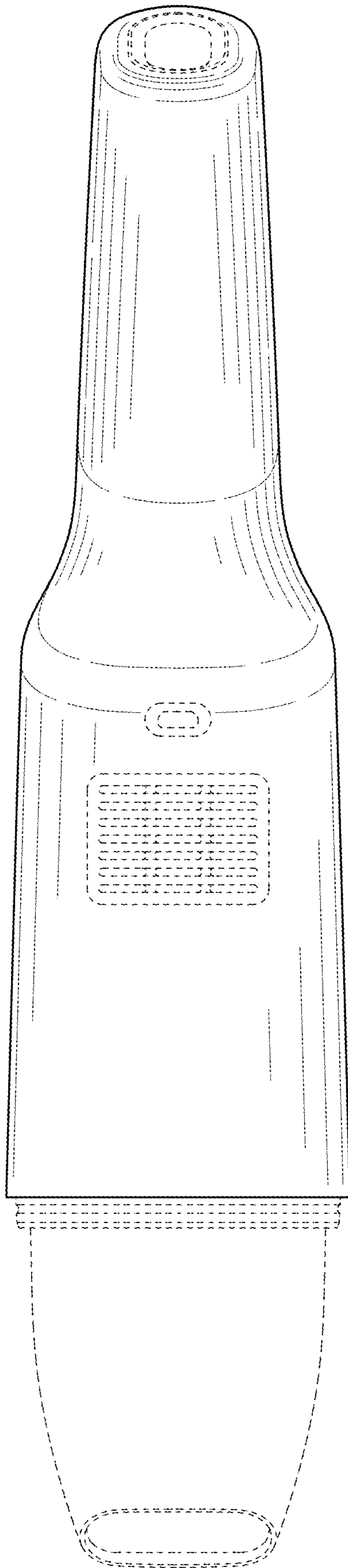


FIG. 8