



US00D967571S

(12) **United States Design Patent**
Tong et al.

(10) **Patent No.:** **US D967,571 S**

(45) **Date of Patent:** **** Oct. 18, 2022**

(54) **SPRAY ARM FOR DISHWASHER**
(71) Applicant: **MIDEA GROUP CO., LTD.**,
Guangdong (CN)
(72) Inventors: **Jianfeng Tong**, Guangdong (CN);
Jinhui Ding, Guangdong (CN); **Yan**
Xu, Guangdong (CN); **Jianping Li**,
Guangdong (CN)
(73) Assignee: **MIDEA GROUP CO., LTD.**,
Guangdong (CN)

(**) Term: **15 Years**

(21) Appl. No.: **35/512,446**

(22) Filed: **Jun. 17, 2021**

(80) **Hague Agreement Data**

Int. Filing Date: **Jun. 17, 2021**
Int. Reg. No.: **DM/215910**
Int. Reg. Date: **Jun. 17, 2021**
Int. Reg. Pub. Date: **Aug. 27, 2021**

(30) **Foreign Application Priority Data**

Dec. 17, 2020 (CN) 20203077725.8

(51) **LOC (13) Cl.** **15-05**

(52) **U.S. Cl.**
USPC **D32/3**

(58) **Field of Classification Search**
USPC D32/2, 3, 26
CPC A47L 15/0023; A47L 15/22; A47L 15/23;
A47L 15/4219; A47L 15/4221; A47L
15/4282; A47L 15/4289; A47L 15/4463;
A47L 15/4445; A47L 15/508; A47L
2401/24; A47L 2501/20

See application file for complete search history.

(56) **References Cited**

U.S. PATENT DOCUMENTS

3,918,644 A * 11/1975 Platt A47L 15/4282
239/243
5,560,381 A * 10/1996 Edwards A47L 15/23
134/201

D461,284 S * 8/2002 Hegeman D32/3
6,641,058 B2 * 11/2003 Hegeman A47L 15/4204
239/251
9,032,980 B2 * 5/2015 Busing A47L 15/4219
134/172
9,173,541 B2 * 11/2015 Han A47L 15/508

(Continued)

FOREIGN PATENT DOCUMENTS

WO D213154-001 * 3/2021
WO D213155-001 * 3/2021

OTHER PUBLICATIONS

Top 10 Best Dishwasher Replacement Spray Arm of Aug. 2022,
available in <https://top10best.how>, announced Aug. 2022 [online],
[site visited Aug. 8, 2022], Internet URL: [https://top10best.how/
dishwasher-replacement-spray-arm](https://top10best.how/dishwasher-replacement-spray-arm) (Year: 2022).*

Primary Examiner — Jennifer Rivard
Assistant Examiner — Jennylou M Binas

(57) **CLAIM**

The ornamental design for a spray arm for dishwasher, as
shown and described.

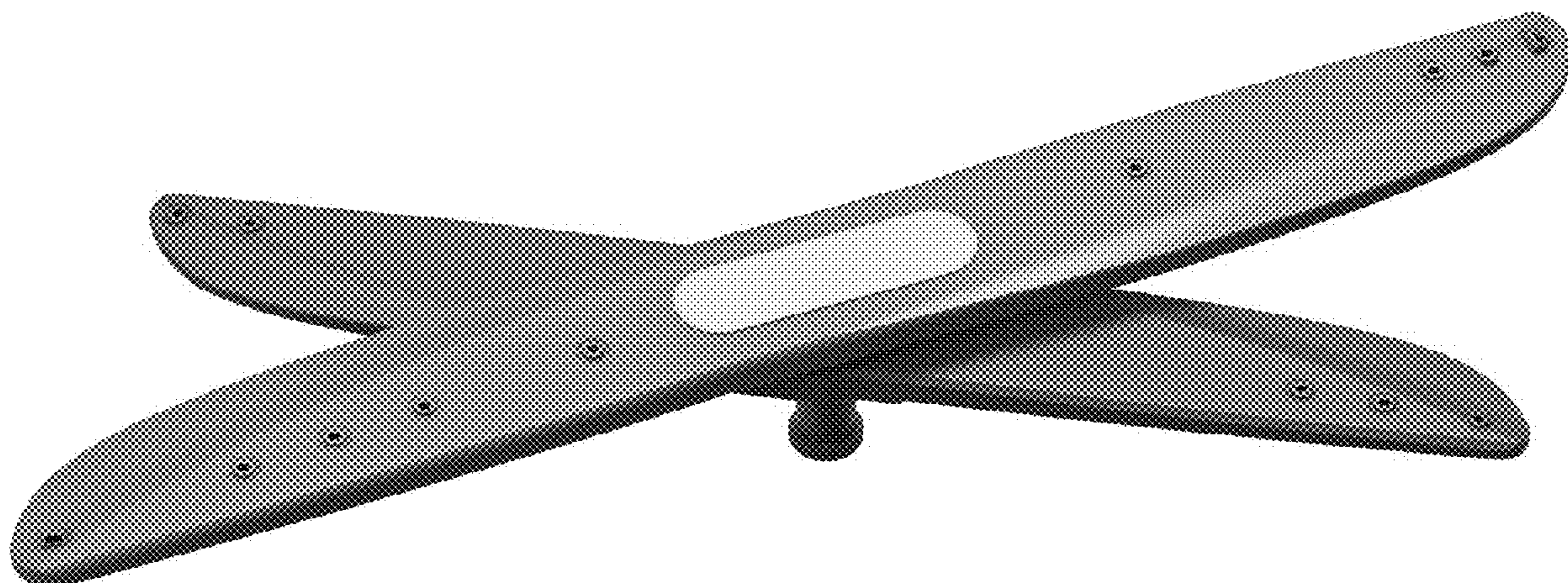
DESCRIPTION

1. Spray arm for dishwasher

- 1.1: Front
- 1.2: Back
- 1.3: Left
- 1.4: Right
- 1.5: Top
- 1.6: Bottom
- 1.7: Perspective

The broken line shown in reproduction 1.6 depicts portions
of the spray arm for dishwasher that forms no part of the
claimed design.

1 Claim, 7 Drawing Sheets



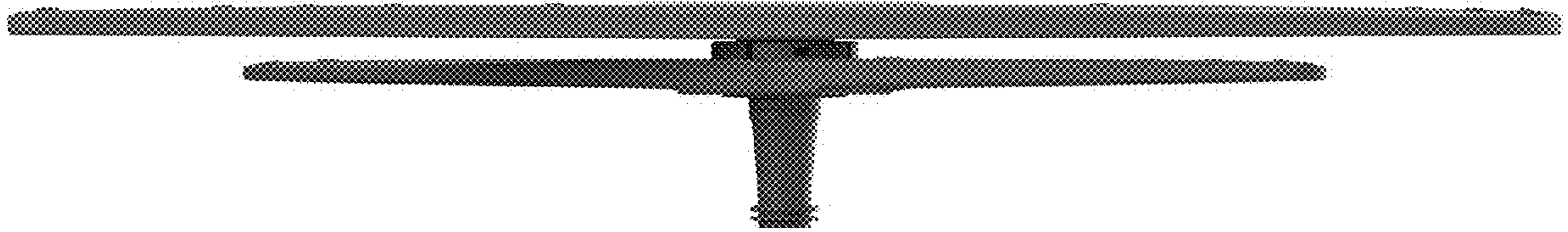
(56)

References Cited

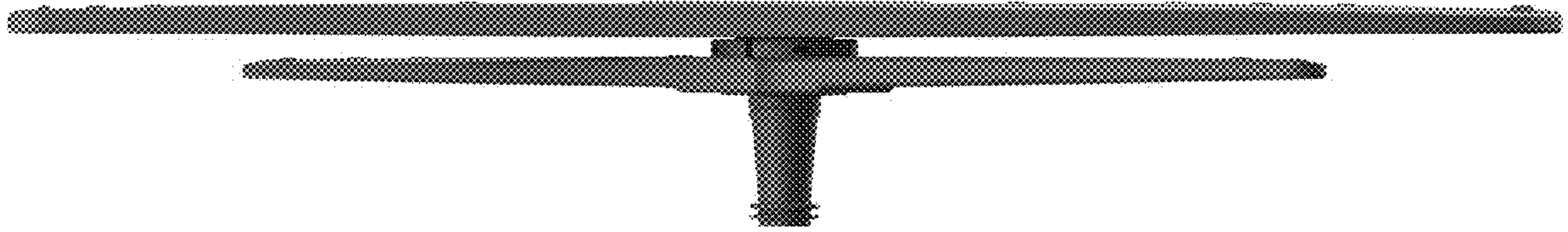
U.S. PATENT DOCUMENTS

9,211,051 B2 * 12/2015 Billgren A47L 15/23
9,326,657 B2 * 5/2016 Thiyagarajan A47L 15/23
9,480,389 B2 * 11/2016 Haft A47L 15/508
10,098,518 B2 * 10/2018 Xu A47L 15/0086
2013/0255734 A1 * 10/2013 Hermann A47L 15/4278
134/198
2021/0228056 A1 * 7/2021 Xiong B05B 3/06
2022/0133123 A1 * 5/2022 Tütek A47L 15/22
134/198

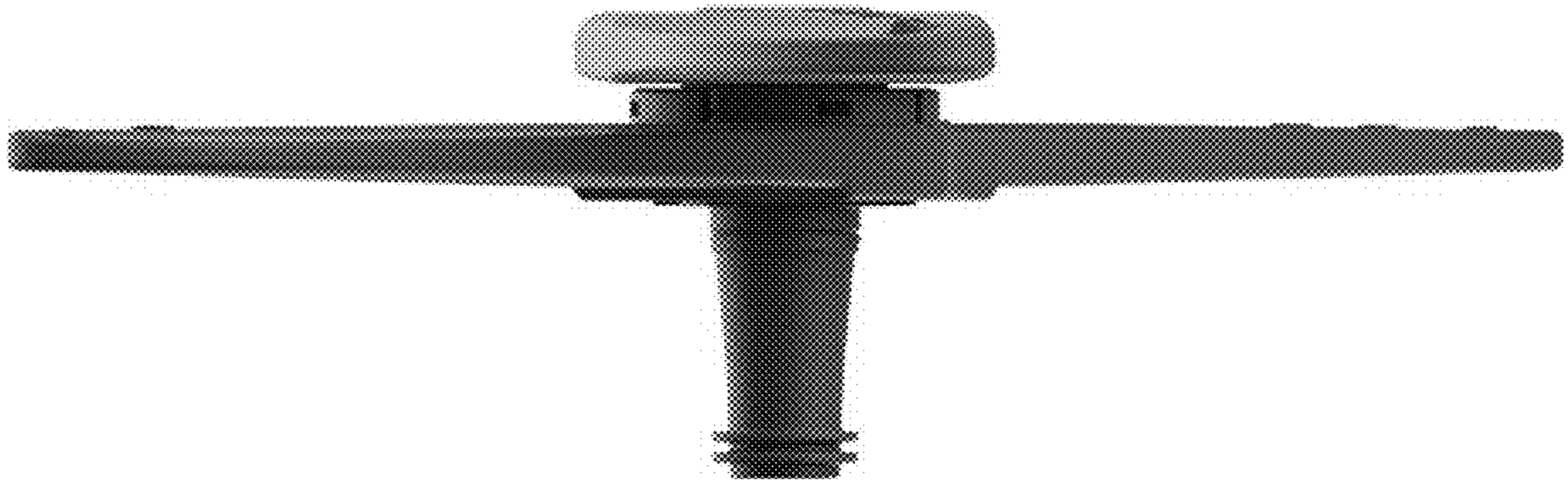
* cited by examiner



1.1



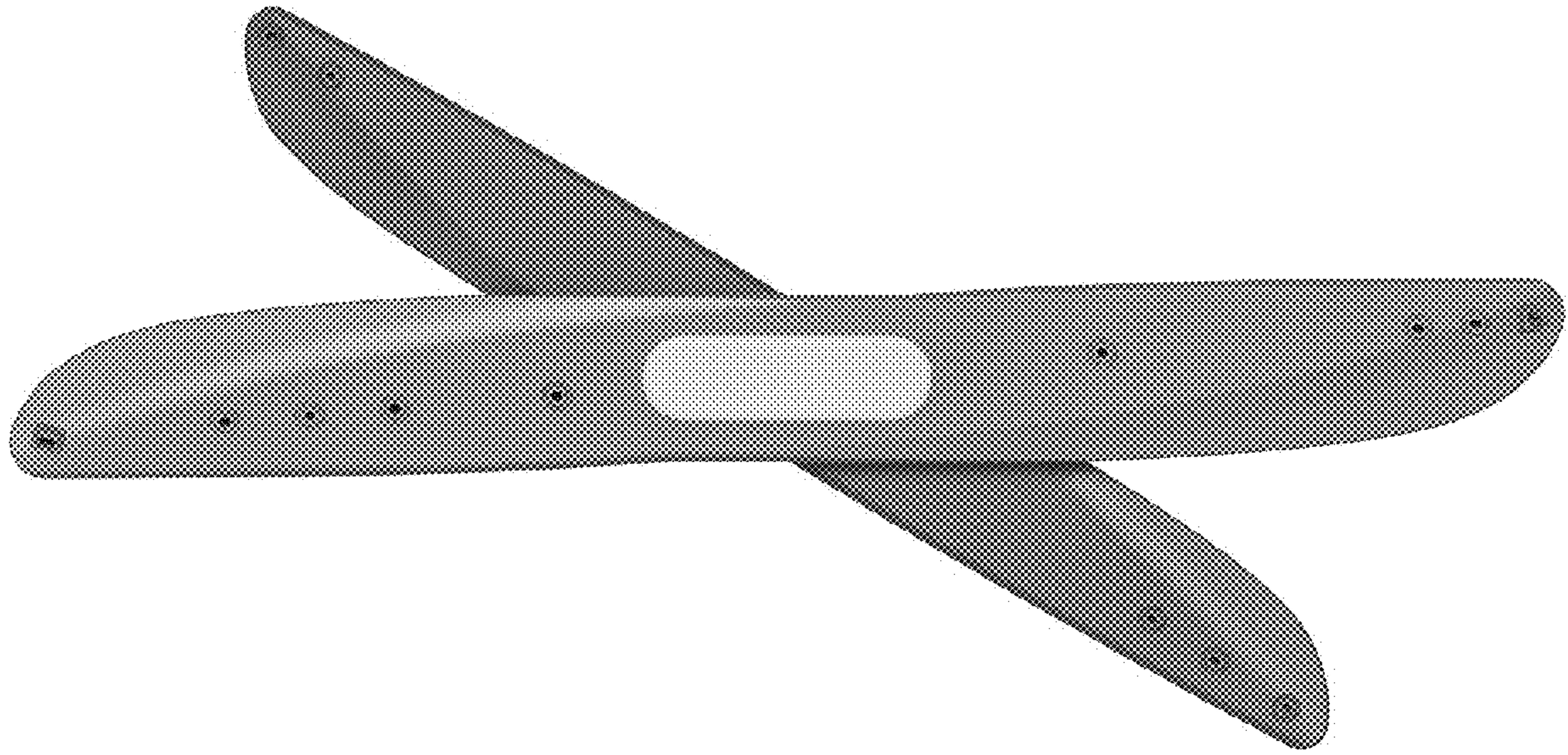
1.2

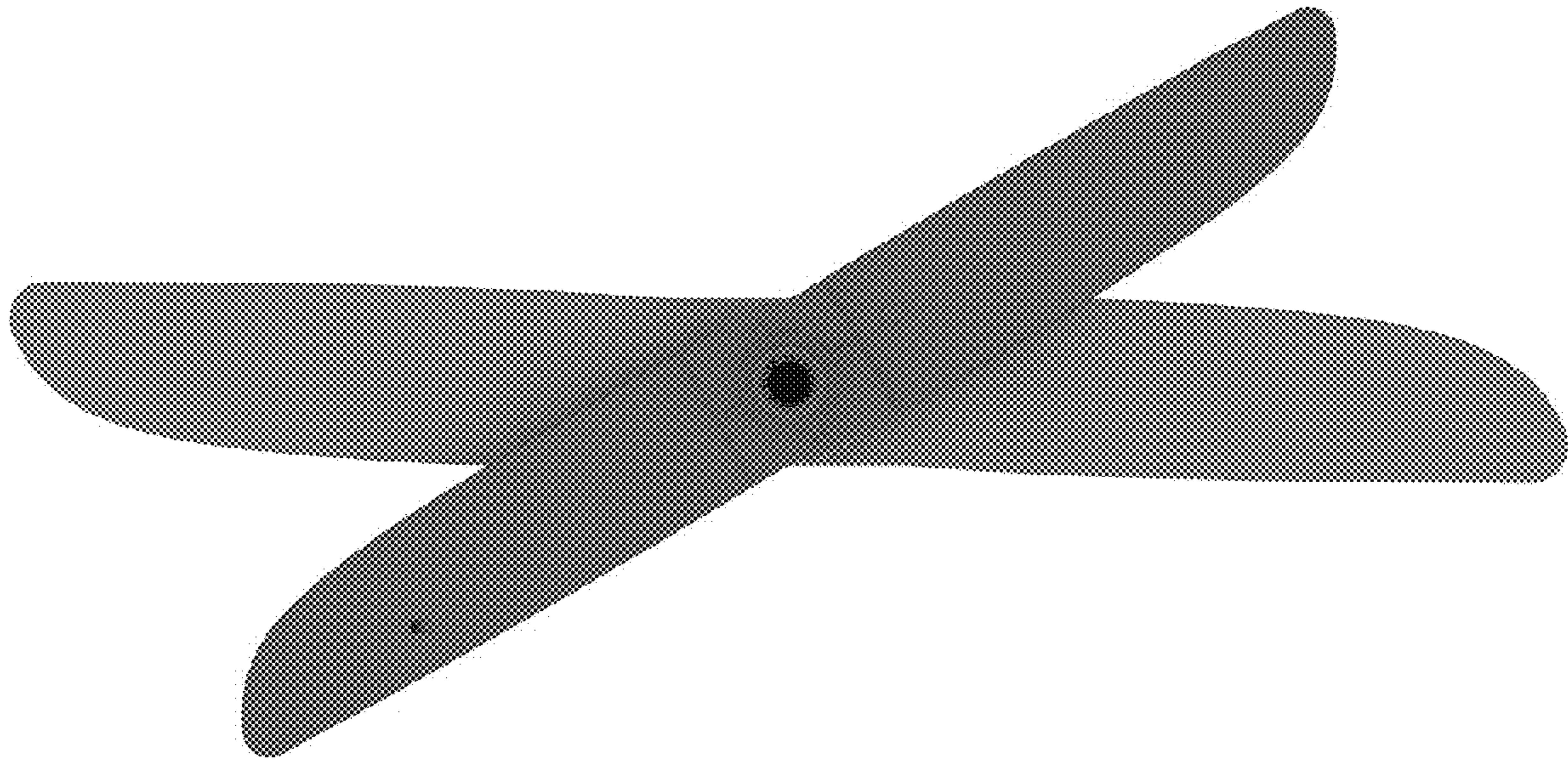


1.3



1.4





1.6

