

US00D967570S

(12) **United States Design Patent**
Maw et al.

(10) **Patent No.: US D967,570 S**
(45) **Date of Patent: ** *Oct. 18, 2022**

(54) **DEVICE SANITIZING MACHINE**

FOREIGN PATENT DOCUMENTS

(71) Applicant: **SoClean, Inc.**, Peterborough, NH (US)

GB 6096923 * 8/2020

(72) Inventors: **Kurt Michael Maw**, Salem, MA (US);
Ashley James Nye Legg, Newton, MA (US)

OTHER PUBLICATIONS

Amazon.Com Smarthome Cleaning System https://www.amazon.com/Smarthome-Cleaning-Naturally-Everything-Definition/dp/B092X1GYF9/ref=sr_1_40 (Year: 2021).*

(73) Assignee: **SOCLEAN, INC.**, Peterborough, NH (US)

Primary Examiner — Michelle E. Wilson

(*) Notice: This patent is subject to a terminal disclaimer.

Assistant Examiner — Richard E Yenchesky

(**) Term: **15 Years**

(74) *Attorney, Agent, or Firm* — Grossman, Tucker, Perreault & Pflieger, PLLC

(21) Appl. No.: **29/743,327**

(57) **CLAIM**

The ornamental design for a device sanitizing machine, as shown and described.

(22) Filed: **Jul. 21, 2020**

(51) **LOC (13) Cl.** **15-05**

DESCRIPTION

(52) **U.S. Cl.**

USPC **D32/1**

(58) **Field of Classification Search**

USPC D14/216, 242; D15/122, 199; D24/217; D32/1, 4, 17, 25; D34/30

CPC ... A61L 2/00; A61L 2/10; B66B 29/04; B66B 31/00; B66B 31/006; B66B 31/02

See application file for complete search history.

FIG. 1 is a front view of a device sanitizing machine, showing the new design;
FIG. 2 is a left side view thereof;
FIG. 3 is a right side view thereof;
FIG. 4 is a rear view thereof;
FIG. 5 is a top view thereof;
FIG. 6 is a bottom view thereof;
FIG. 7 is a front left top perspective view thereof;
FIG. 8 is a front right top perspective view thereof;
FIG. 9 is a front right bottom perspective view thereof;
FIG. 10 is a right side top perspective view thereof;
FIG. 11 is a right side bottom perspective view thereof;
FIG. 12 is a rear top perspective view thereof;
FIG. 13 is a rear top right perspective view thereof;
FIG. 14 is a rear top left perspective view thereof;
FIG. 15 is a rear bottom left perspective view thereof;
FIG. 16 is a rear bottom perspective view thereof; and
FIG. 17 is a rear top right perspective view thereof.

Broken lines in the figures show portions of the device sanitizing machine that form no part of the claimed design.

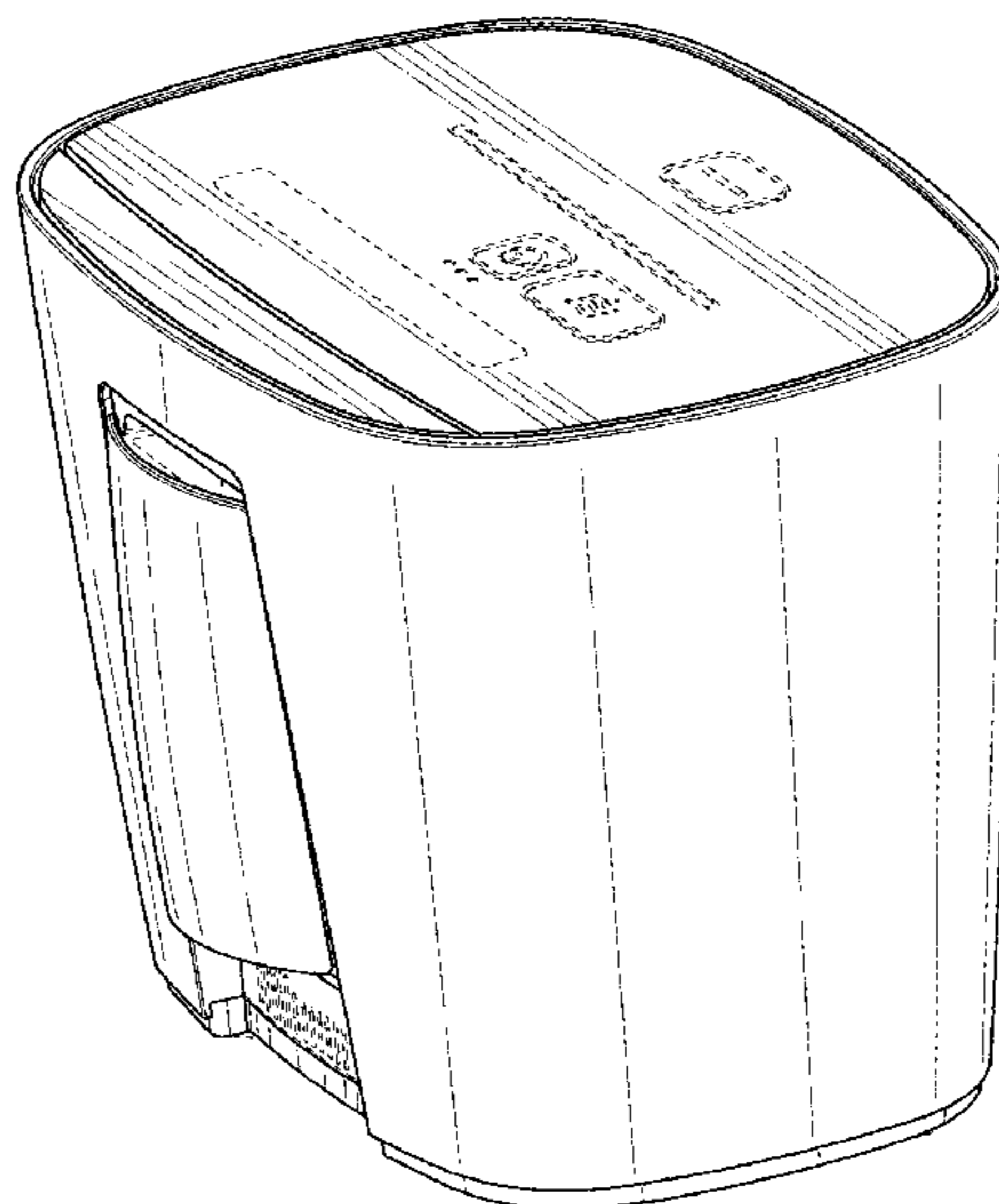
(56) **References Cited**

U.S. PATENT DOCUMENTS

D463,076	S	*	9/2002	Nottingham	D24/217
D560,814	S	*	1/2008	Briussel	D24/217
D640,231	S	*	6/2011	Joseph	D14/171
D669,595	S	*	10/2012	Schofield	D24/217
D679,825	S	*	4/2013	Elkerbout	D24/217
D704,350	S	*	5/2014	Lau	D24/217
D729,941	S	*	5/2015	Hu	D24/217
D745,858	S	*	12/2015	Di Mauro	D14/204
9,669,124	B2	*	6/2017	Leyva	A61L 2/202
D825,778	S	*	8/2018	Brenner	D24/232
D828,654	S	*	9/2018	Yao	D32/1

(Continued)

1 Claim, 10 Drawing Sheets



(56)

References Cited

U.S. PATENT DOCUMENTS

10,427,961	B2 *	10/2019	Leyva	C02F 1/283
D889,681	S *	7/2020	Maw	D24/217
D889,682	S *	7/2020	Maw	D24/217
D894,506	S *	8/2020	Protet	D32/17
D898,310	S *	10/2020	Miller	D32/1
D899,621	S *	10/2020	Maw	D24/217
D899,622	S *	10/2020	Maw	D24/217
D932,117	S *	9/2021	Xiao	D32/1
D935,116	S *	11/2021	Protet	D32/17
D939,682	S *	12/2021	Chen	D23/366
2009/0308416	A1 *	12/2009	Utz	B08B 3/12 134/115 R
2014/0271370	A1 *	9/2014	Sirotin	A61L 2/07 422/119
2016/0166720	A1 *	6/2016	Wiesman	A61L 2/07 422/292
2018/0296709	A1 *	10/2018	Mishkin	A61L 2/0047

* cited by examiner

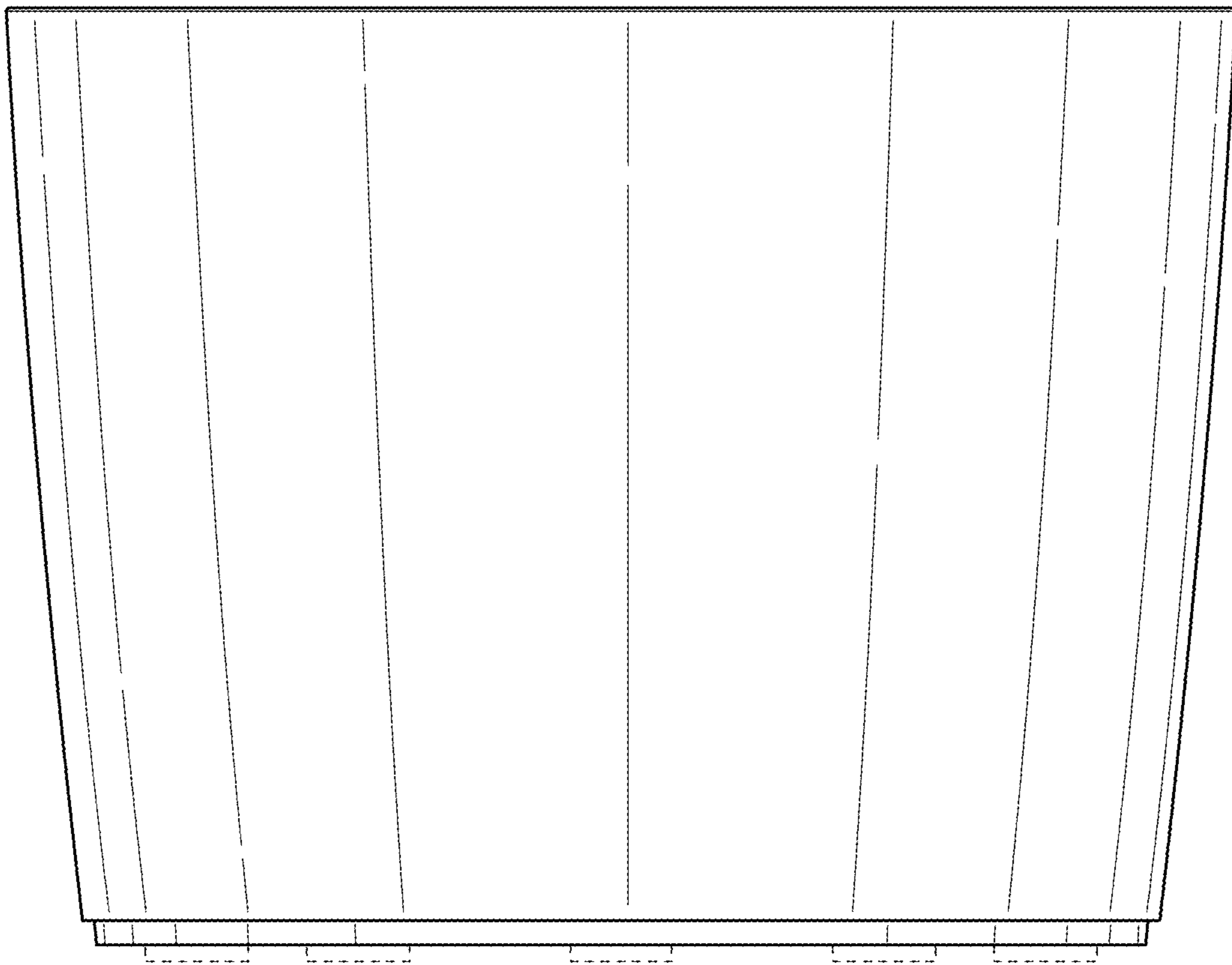


FIG. 1

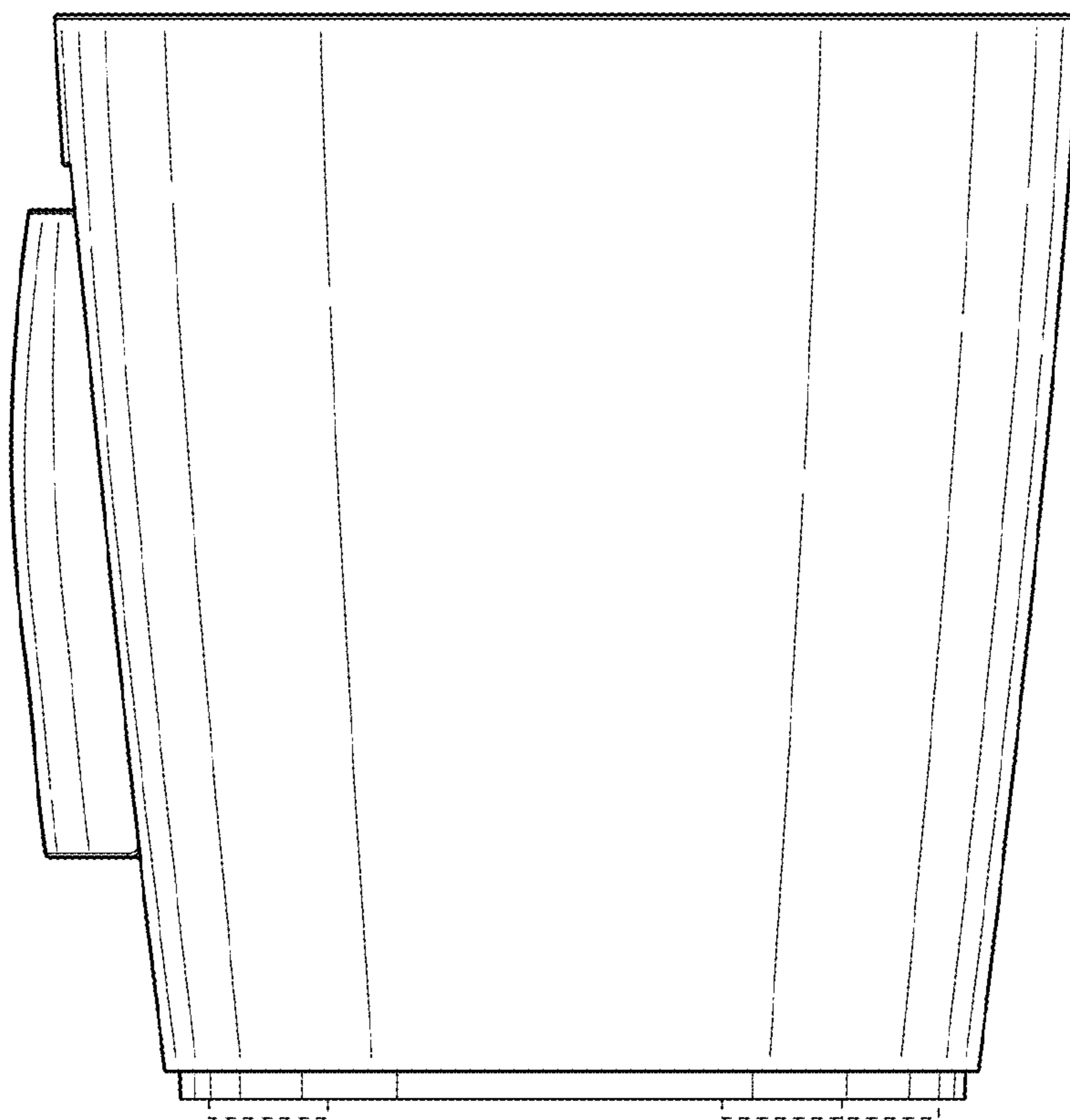


FIG. 2

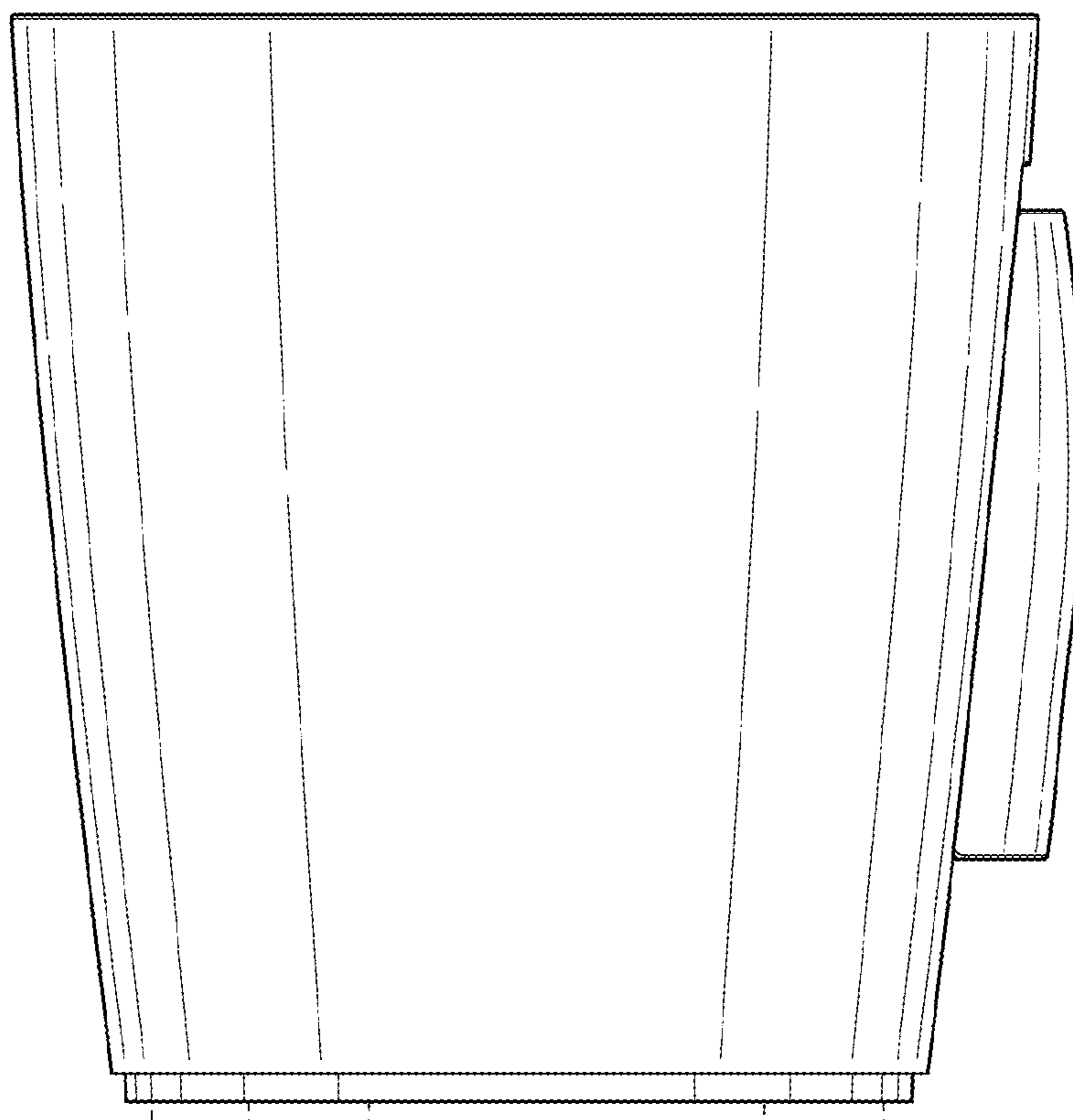


FIG. 3

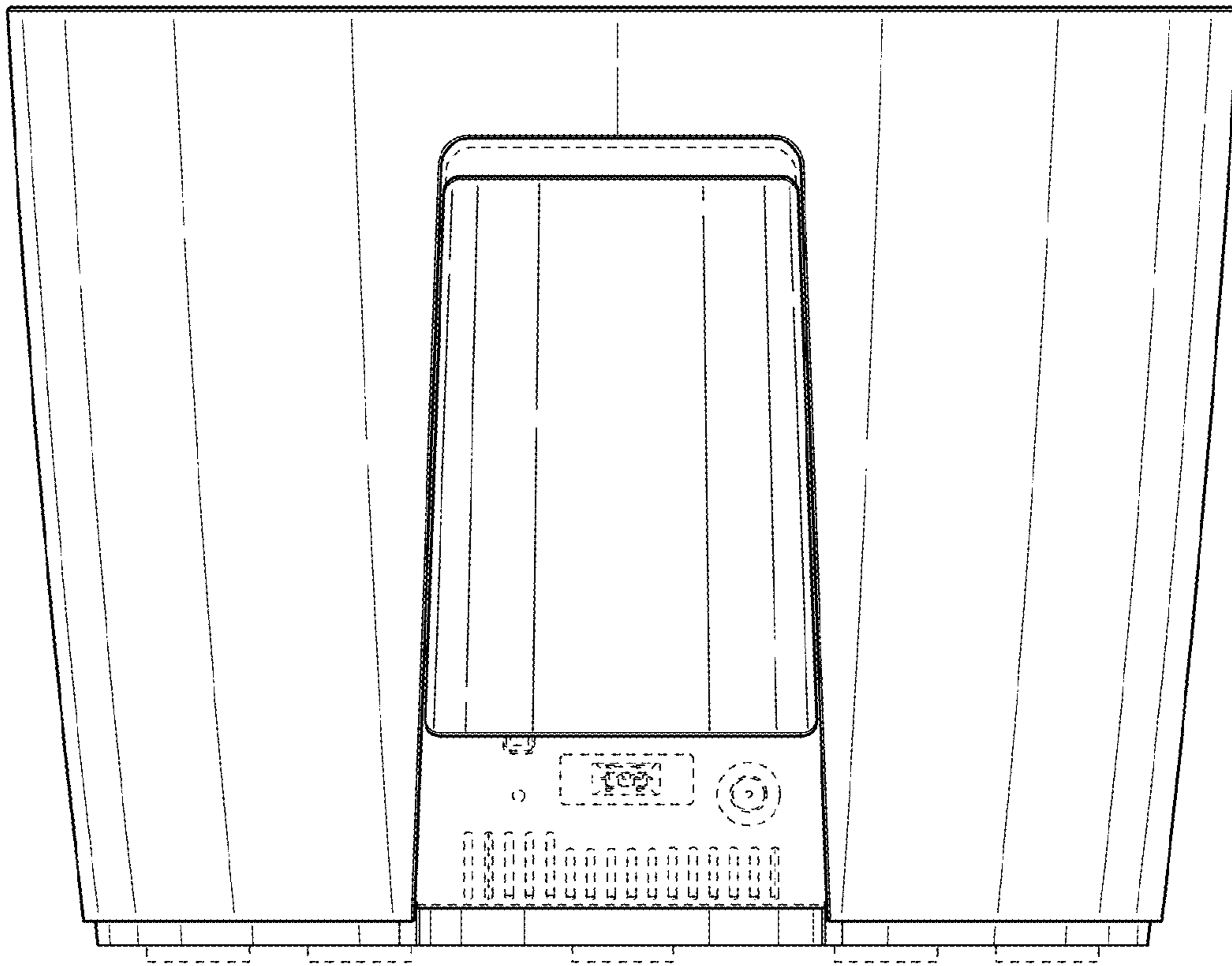


FIG. 4

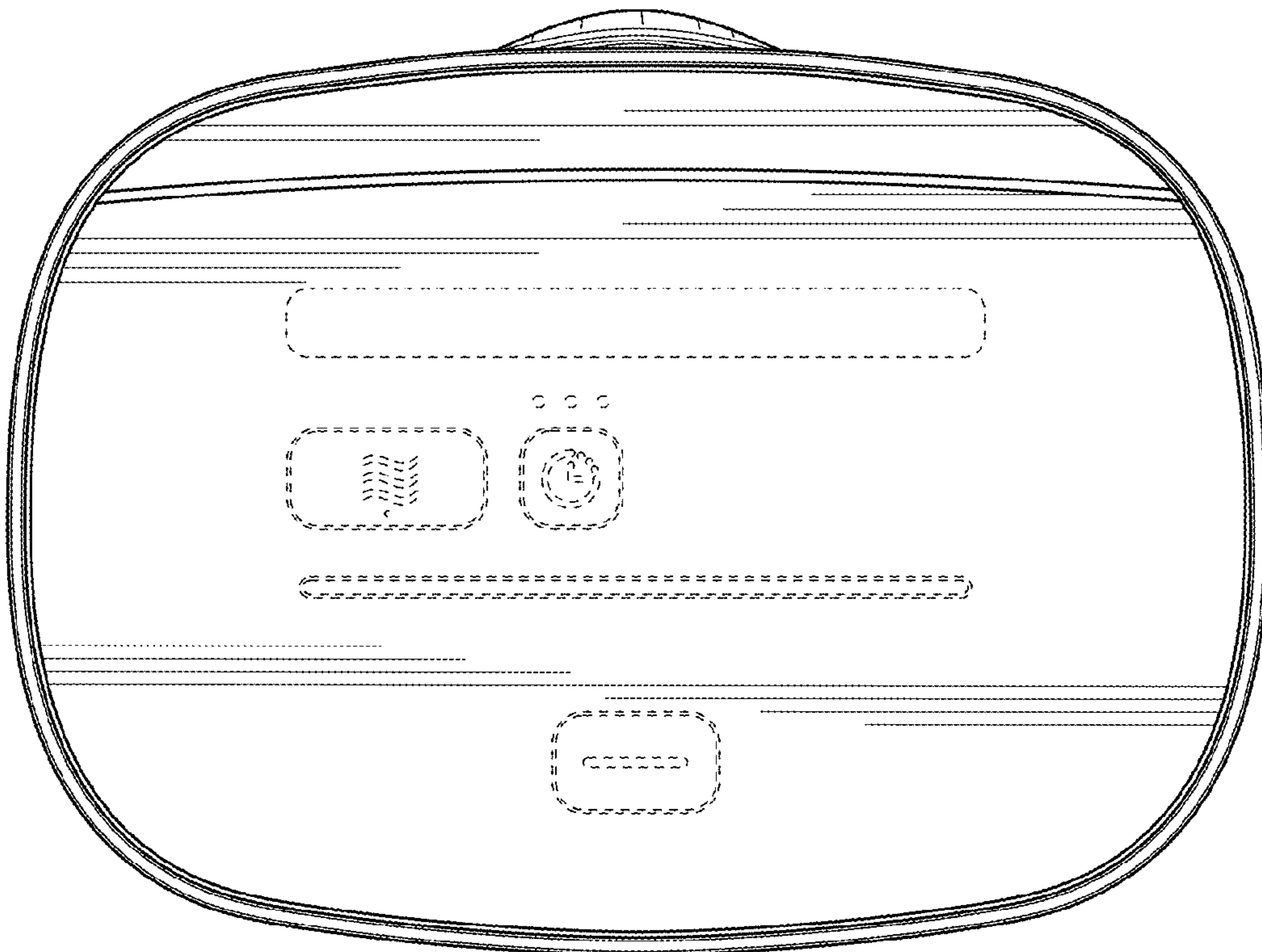


FIG. 5

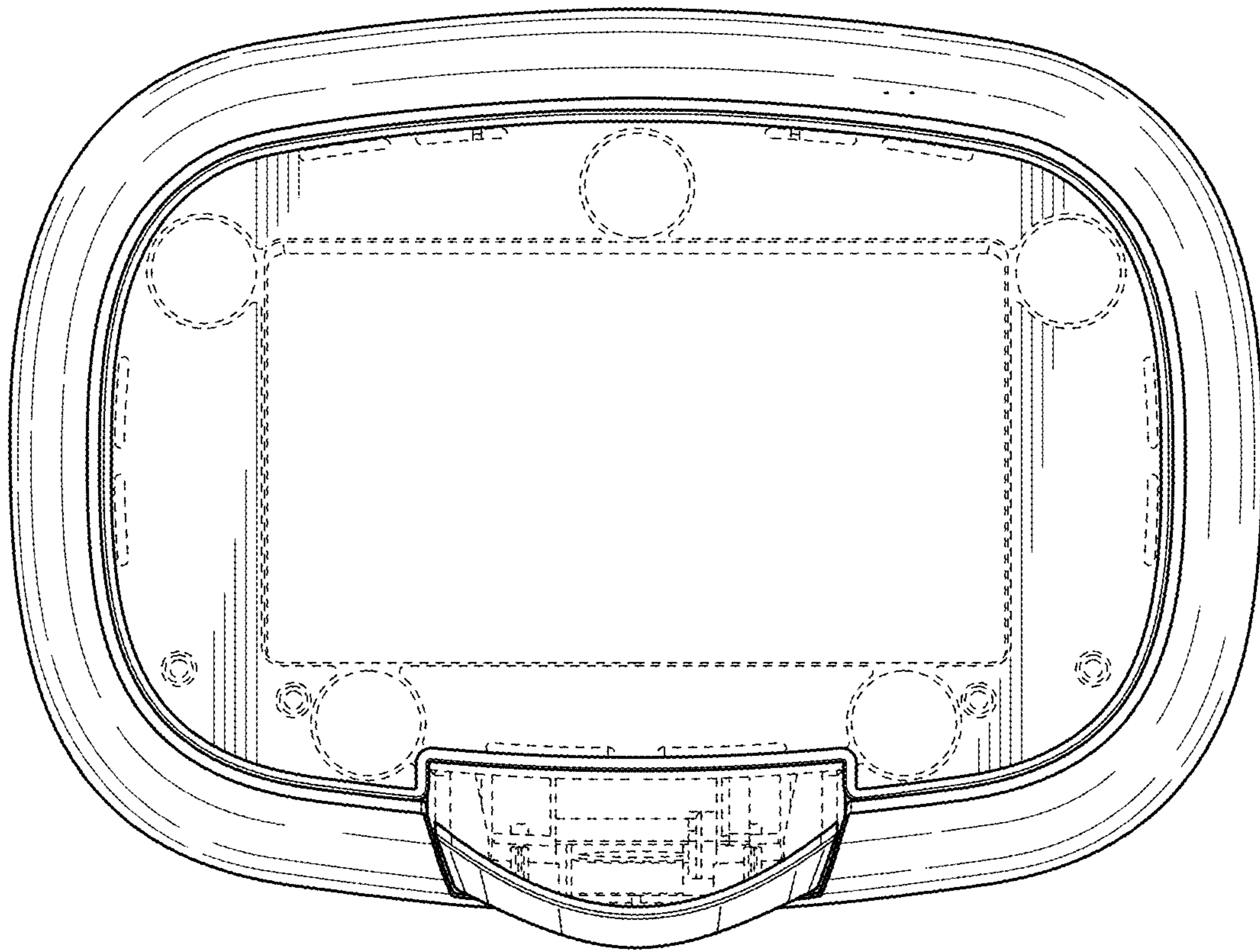


FIG. 6

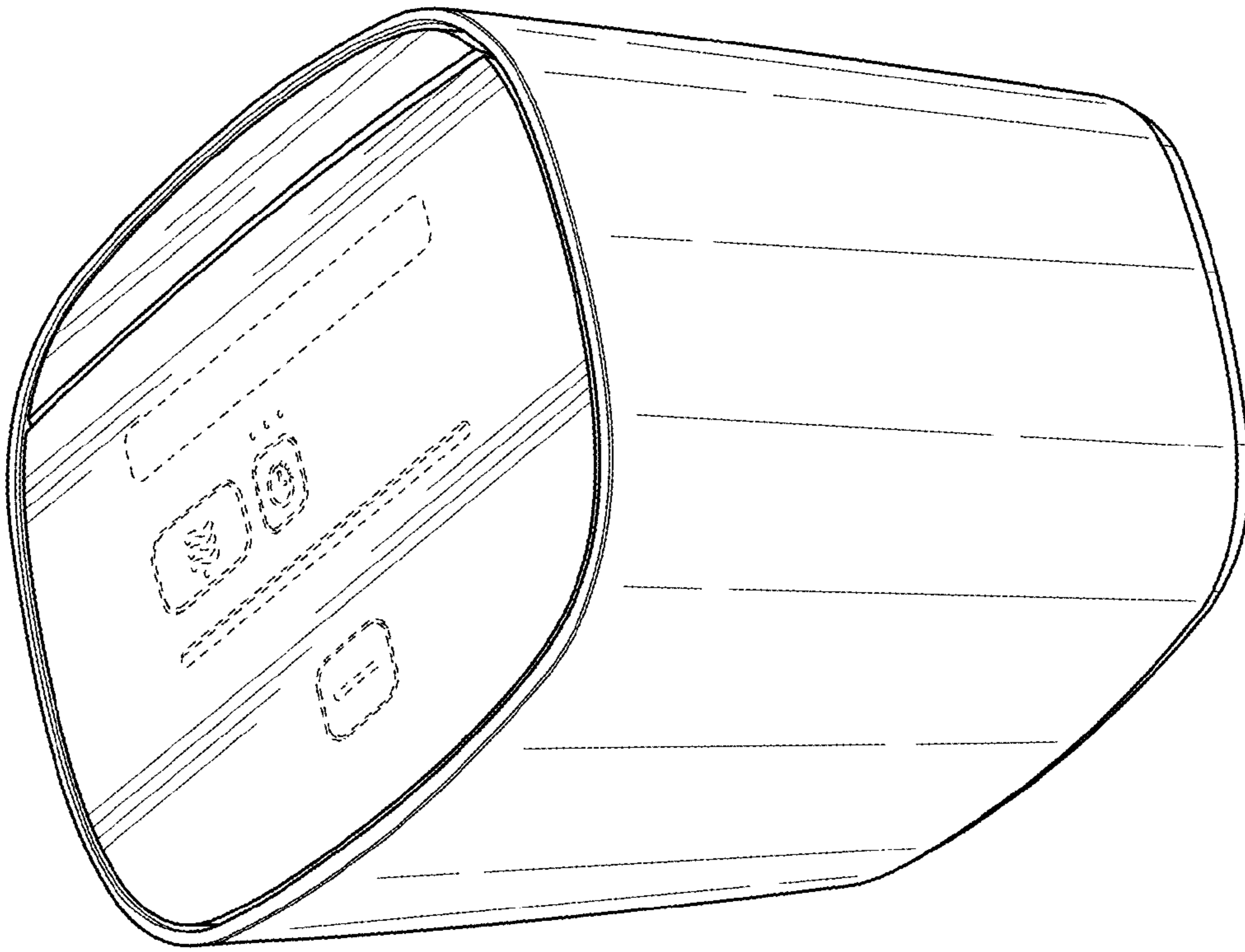


FIG. 8

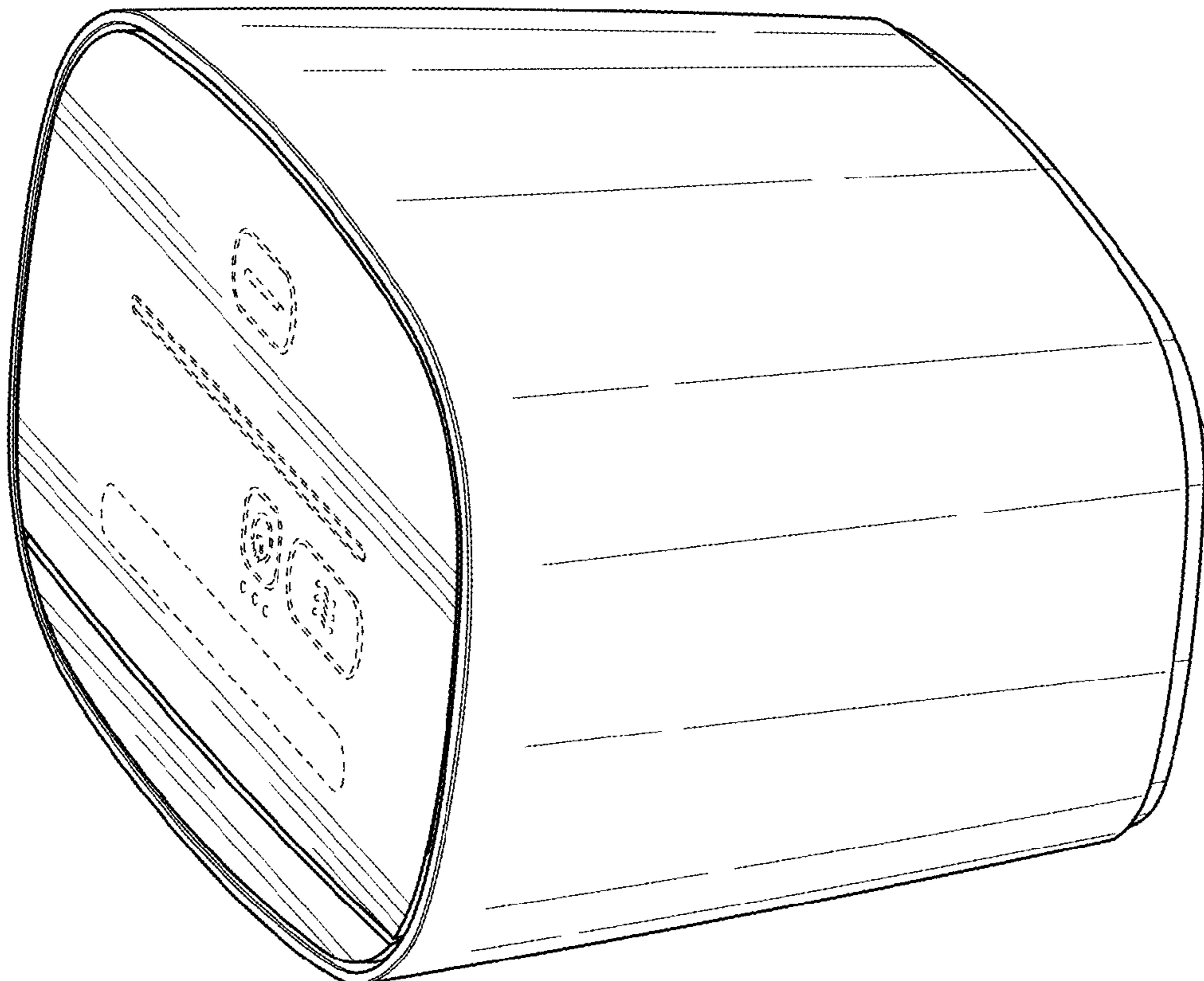


FIG. 7

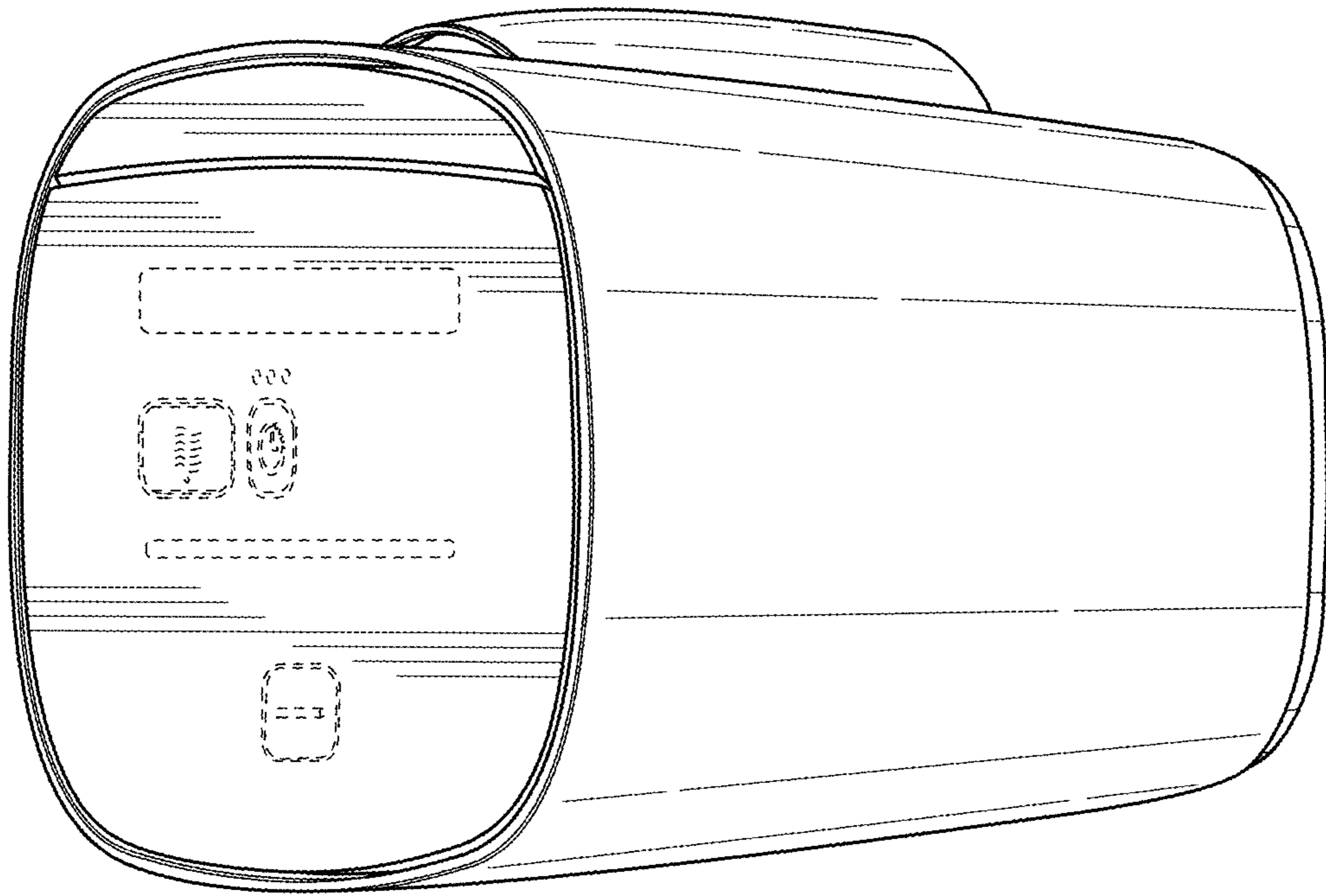


FIG. 10

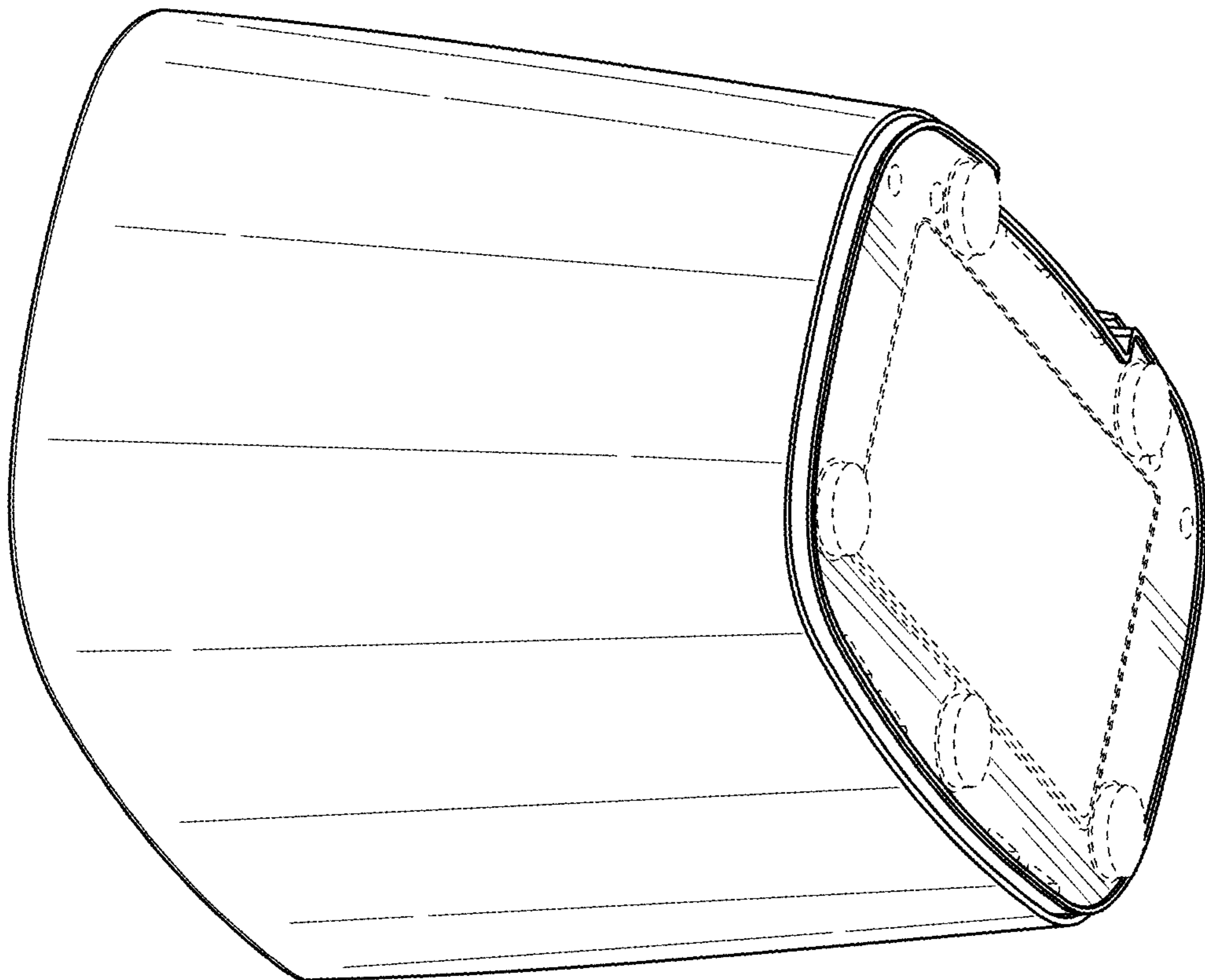


FIG. 9

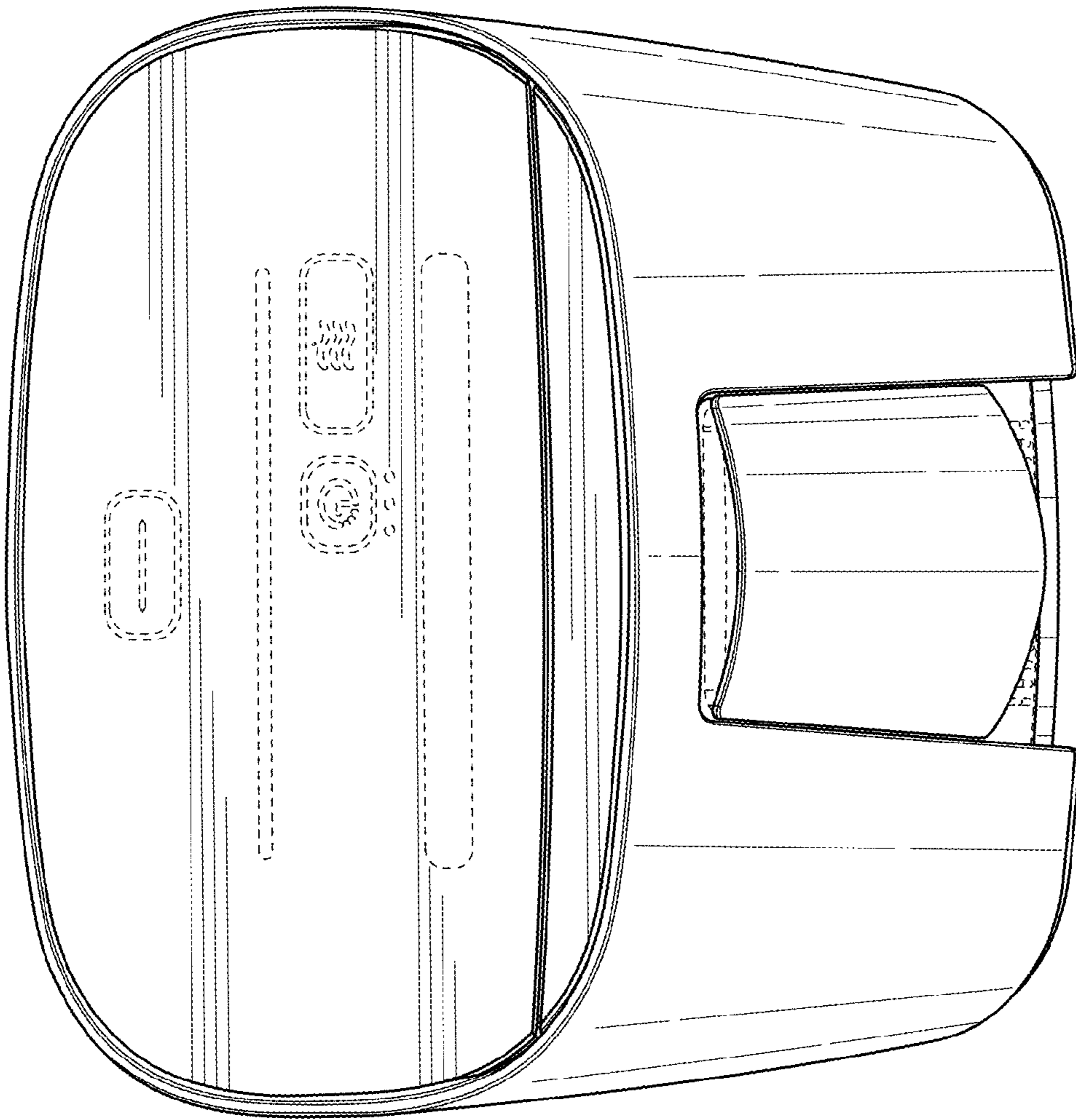


FIG. 12

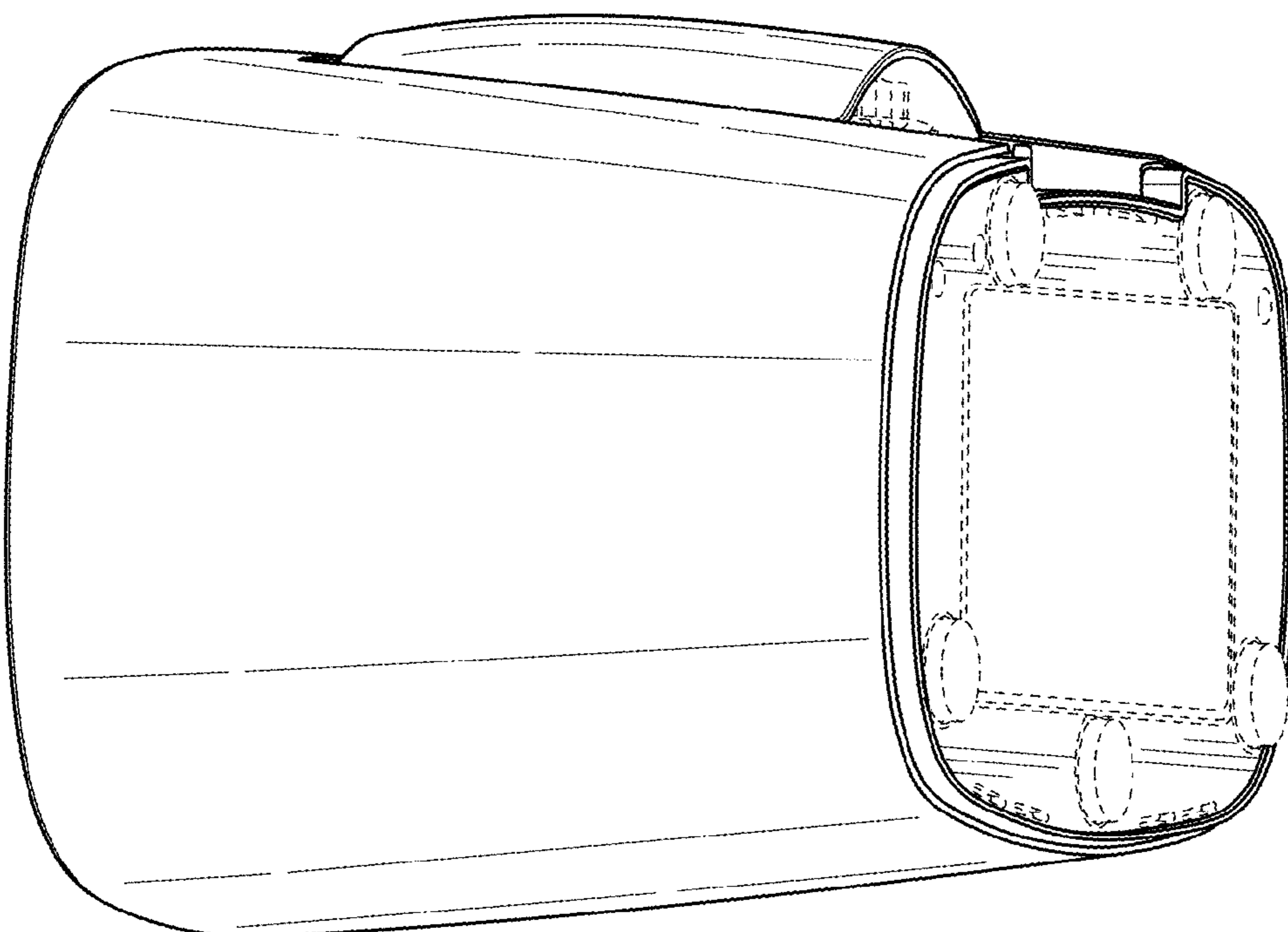


FIG. 11

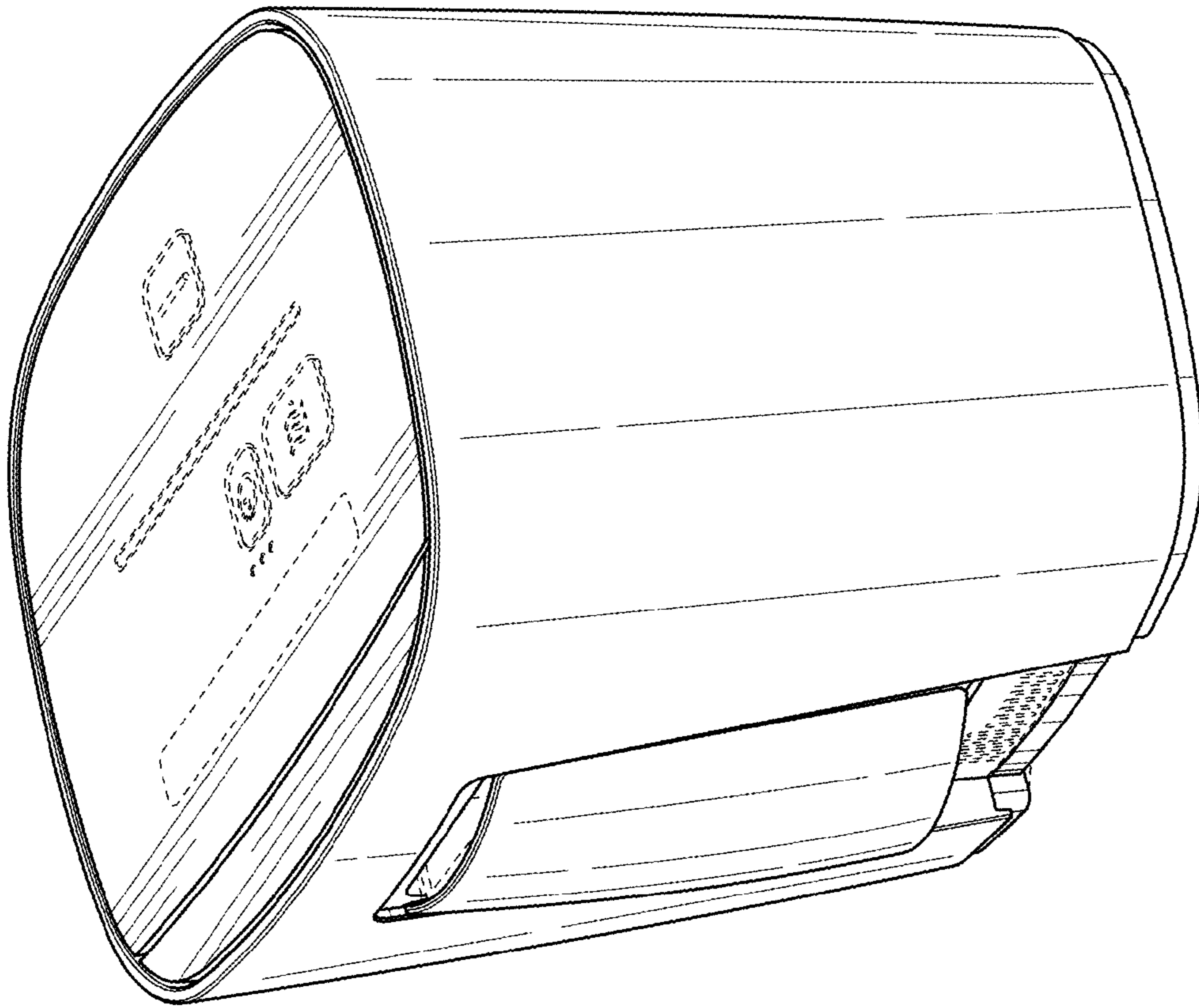


FIG. 14

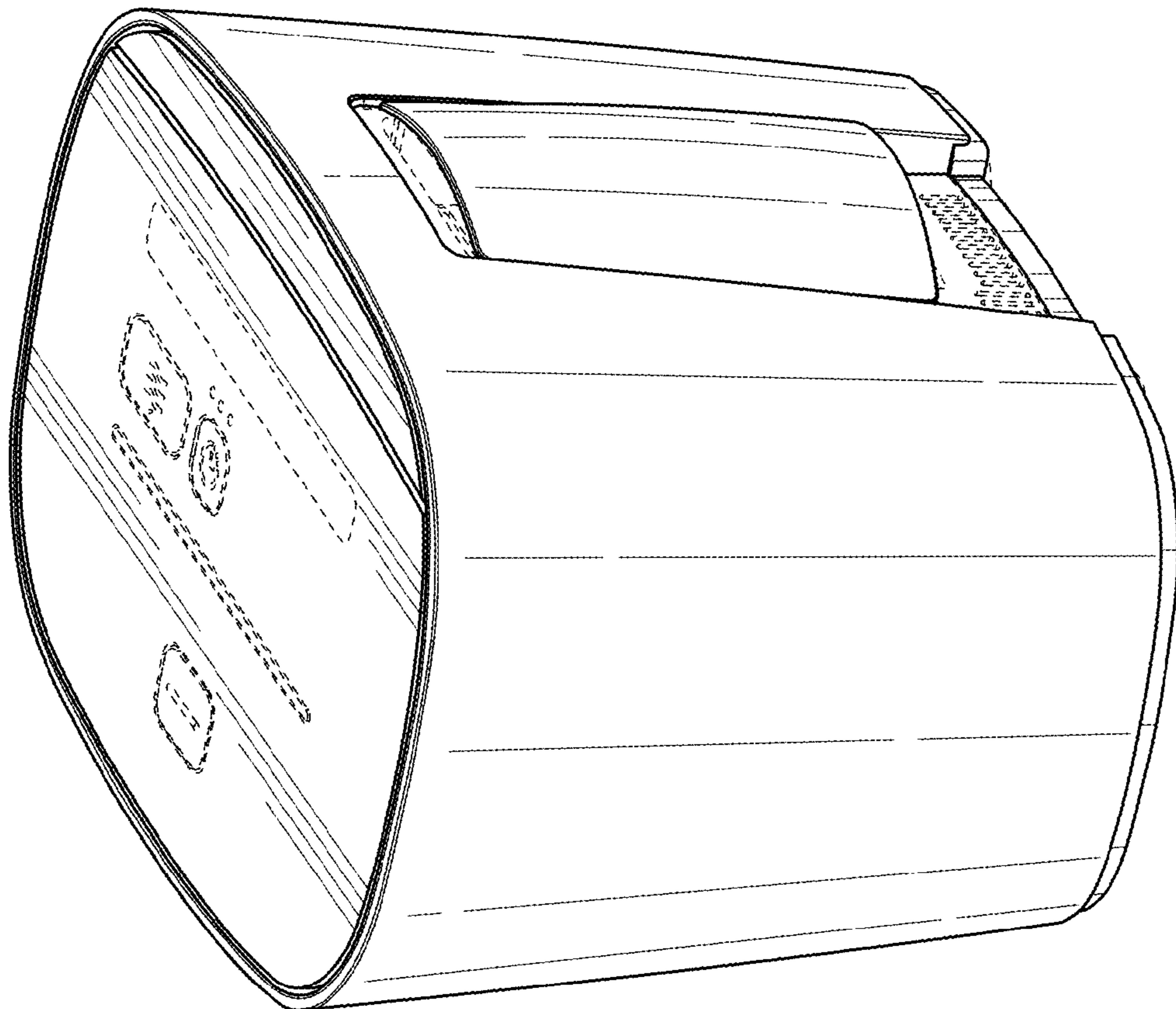


FIG. 13

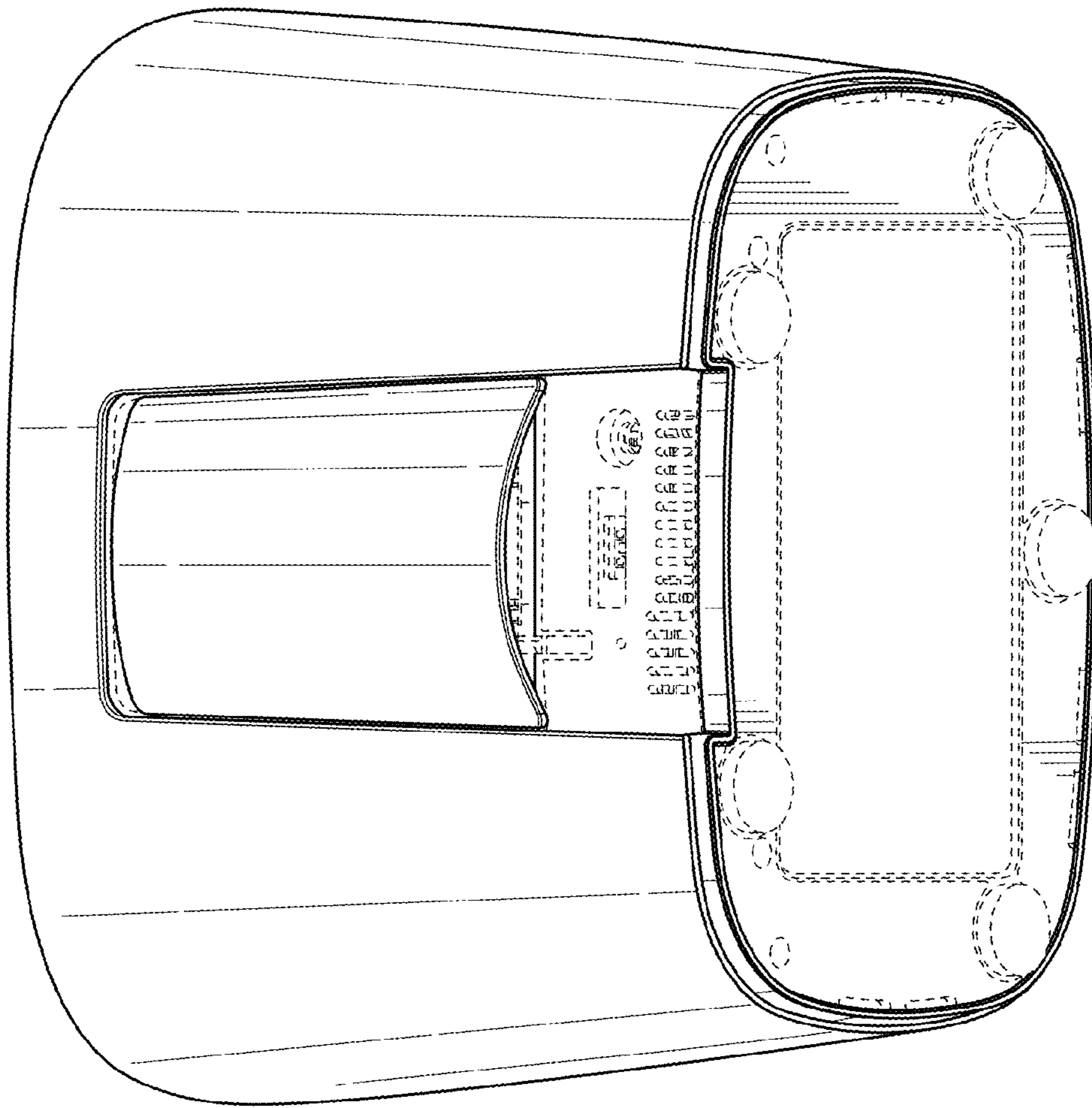


FIG. 15

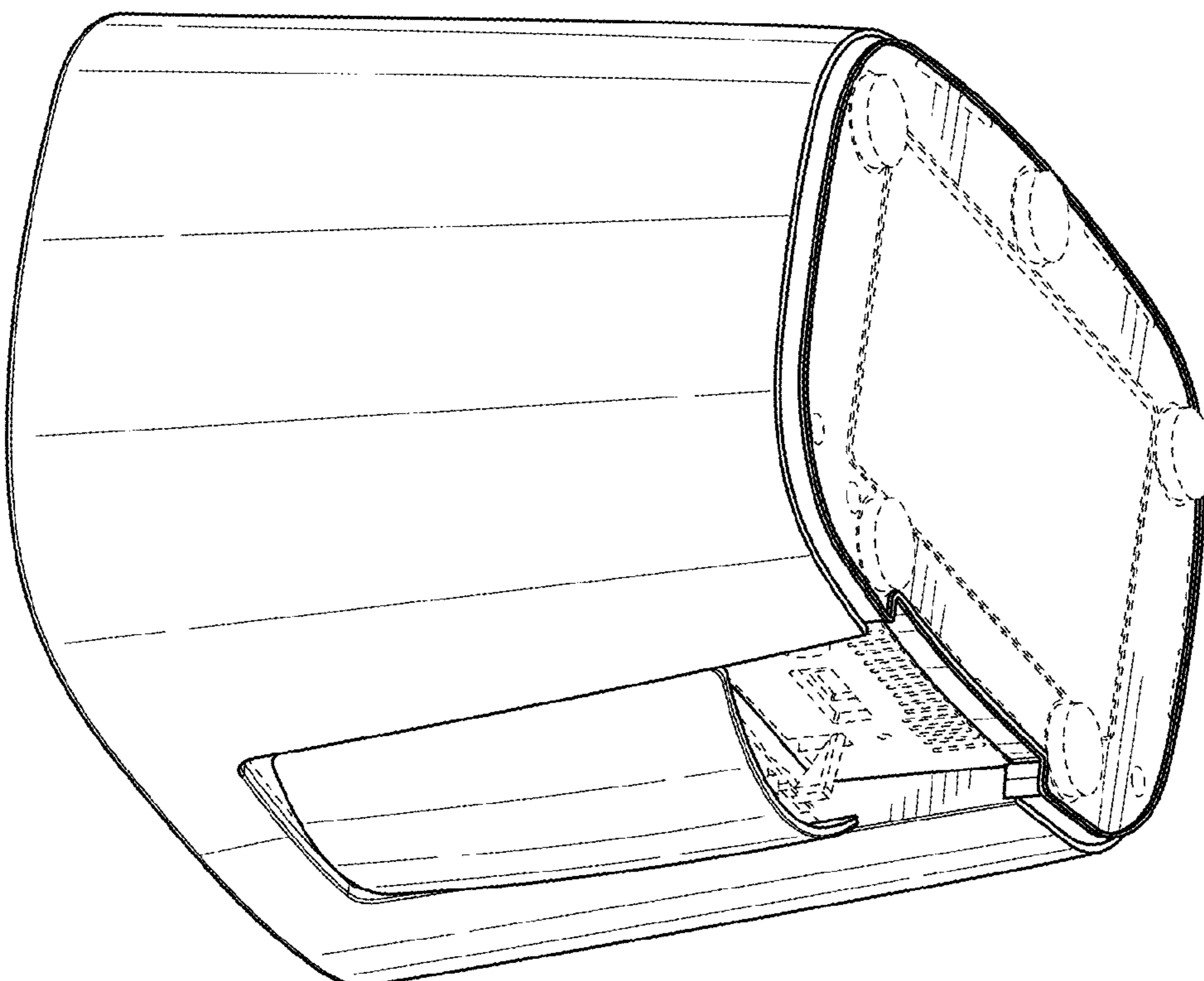


FIG. 16

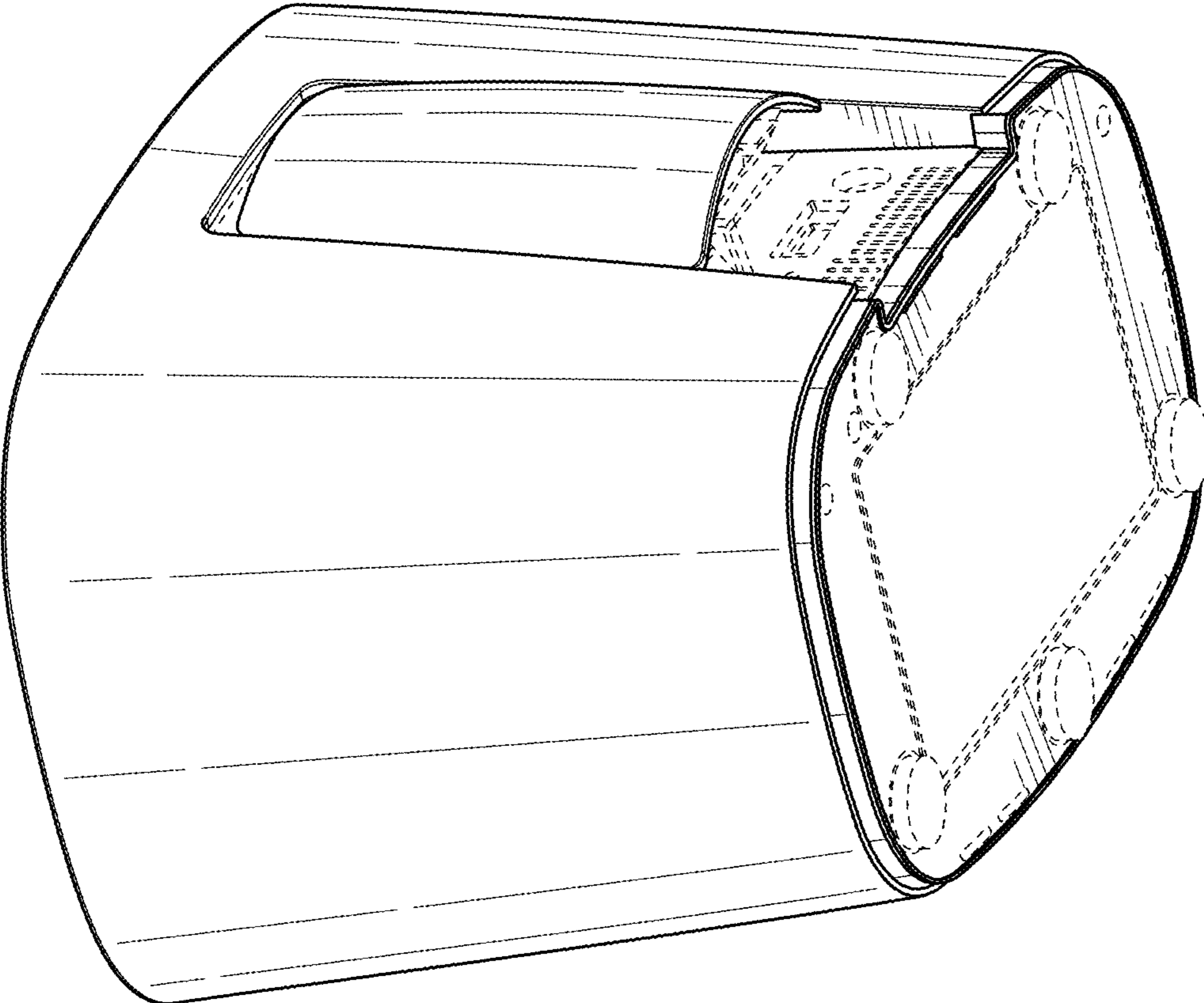


FIG. 17