

US00D967568S

(12) **United States Design Patent** (10) **Patent No.:** **US D967,568 S**  
**Zhao** (45) **Date of Patent:** **\*\* Oct. 18, 2022**

(54) **PET GATE**

(71) Applicant: **Xianyi Zhao**, Henan (CN)

(72) Inventor: **Xianyi Zhao**, Henan (CN)

(\*\*) Term: **15 Years**

(21) Appl. No.: **29/832,646**

(22) Filed: **Mar. 29, 2022**

(51) **LOC (13) Cl.** ..... **30-03**

(52) **U.S. Cl.**  
USPC ..... **D30/199**; D30/119; D30/108

(58) **Field of Classification Search**

USPC ..... D30/199, 108, 119; 160/40-43, 13, 15, 160/17, 87, 94-103, 105-107, 24, 10, 160/296, 305, 309, 313, 301, 315, 323.1, 160/293.1, 23.1, 317, 231.1, 290.1, 302, 160/211, 217, 218, 225, 130, 135; 49/9, 49/58-66, 128-130, 147; 119/416, 426, 119/512-514, 499, 452, 474, 484, 498, 119/502; 256/24, 1, 25, 73, 67, 26, 45, 256/33, 5, 21, 32, 19, 65.01, 31; 340/573.4; D25/38, 50, 45, 119, 39, 42, D25/43, 38.1, 48.5; 16/236, 239, 366; 52/646; 292/137, 159, 175, 150, 145, 292/152, 302, 303, DIG. 29, DIG. 38, 292/DIG. 46  
CPC .. A01K 1/0017; A01K 1/0023; A01K 1/0029; A01K 1/035; A01K 3/00; E06B 9/0638; E06B 9/00; E06B 9/01; E06B 9/02; E06B 9/04; E06B 9/08; E06B 9/11; E06B 9/115; E06B 9/15; E06B 9/40; E06B 9/0692; E06B 2009/002; E06B 2009/135; E06B 11/02; E06B 11/04; E05B 65/0014; E05B 65/0007

See application file for complete search history.

(56) **References Cited**

U.S. PATENT DOCUMENTS

D326,076 S \* 5/1992 Wiese ..... D30/119  
5,593,141 A \* 1/1997 Cain ..... E05B 65/0007  
292/202

D457,649 S \* 5/2002 Yang ..... D25/48.5  
D474,282 S \* 5/2003 Miller ..... D25/48.5  
6,711,857 B1 \* 3/2004 Wagnitz ..... E05B 47/0607  
49/394  
D559,565 S \* 1/2008 Bakker ..... D6/332  
7,334,624 B2 \* 2/2008 Waldman ..... E05C 1/10  
160/144  
7,540,682 B1 \* 6/2009 Christensen ..... E01F 13/022  
116/63 P  
D599,488 S \* 9/2009 Christensen ..... D25/48.5  
(Continued)

*Primary Examiner* — Susan Moon Lee

(74) *Attorney, Agent, or Firm* — ScienBiziP, P.C.

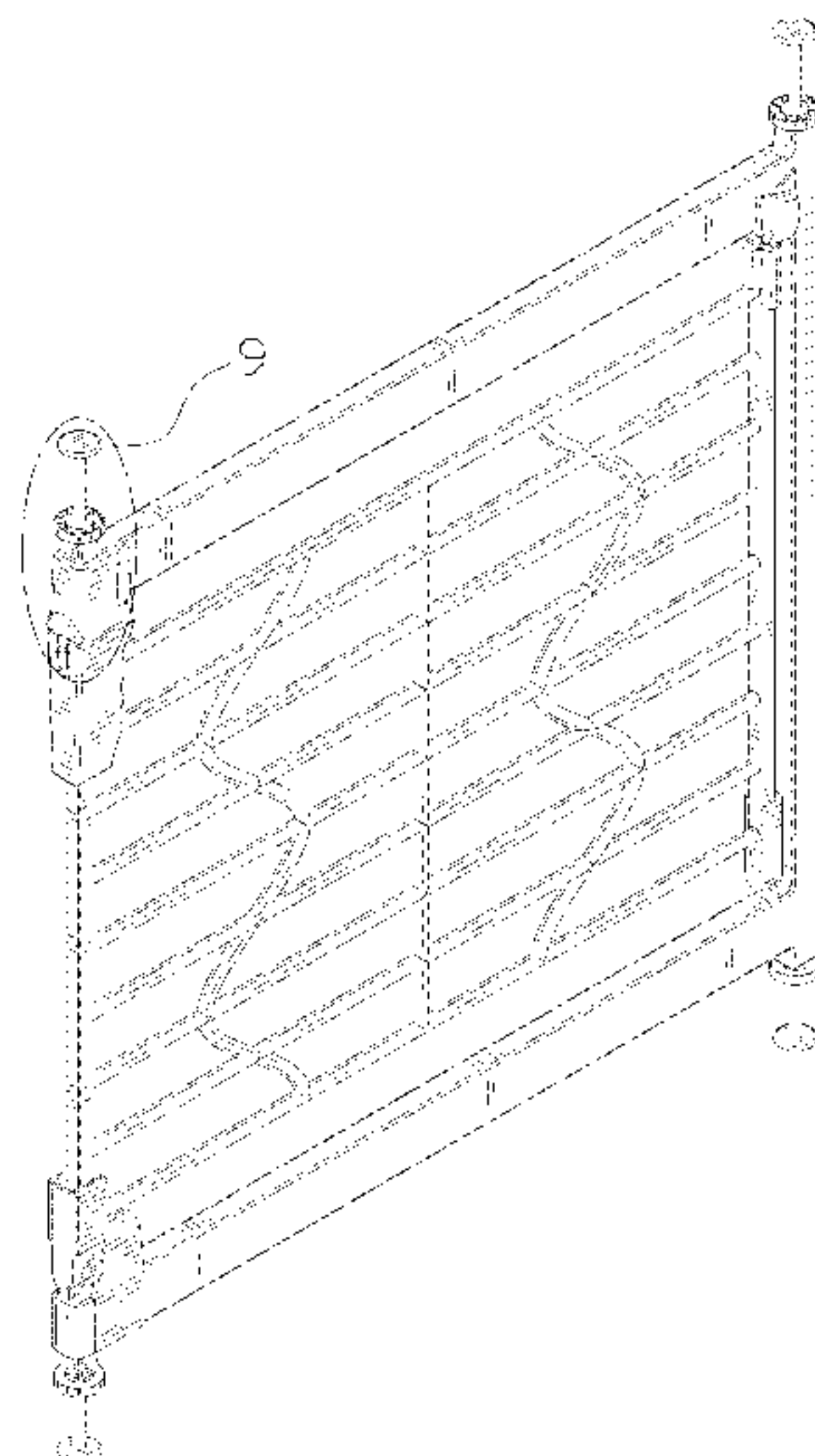
(57) **CLAIM**

The ornamental design for a pet gate, as shown and described.

**DESCRIPTION**

FIG. 1 is a front, left and top perspective view of a pet gate, showing my design.  
FIG. 2 is a rear, right and bottom perspective view thereof.  
FIG. 3 is a front elevation view thereof.  
FIG. 4 is a rear elevation view thereof.  
FIG. 5 is a left side elevation view thereof.  
FIG. 6 is a right side elevation view thereof.  
FIG. 7 is a top plan view thereof.  
FIG. 8 is a bottom plan view thereof; and,  
FIG. 9 is a partial enlarged view of an area labeled 9 in FIG. 1.  
The broken lines shown in the drawings are included for the purpose of illustrating portions of the pet gate that form no part of the claimed design.  
Dot-dash broken lines framing portions of the claimed design that are illustrated for enlargements form no part of the claimed design.

**1 Claim, 9 Drawing Sheets**



(56)

References Cited

U.S. PATENT DOCUMENTS

D626,661 S *	11/2010	Bertsch	.....	D25/48.5	D907,866 S	1/2021	Hiramasu	
7,874,103 B2 *	1/2011	Yates	.....	E06B 9/04	10,907,382 B2 *	2/2021	Raffi	..... E05B 59/00
				49/226	11,054,096 B1 *	7/2021	Flannery	..... F21S 8/036
D659,598 S *	5/2012	Cariddi	.....	D12/115	11,162,300 B1 *	11/2021	Flannery	..... E05C 3/167
8,196,348 B2 *	6/2012	Flannery	.....	E06B 9/04	11,268,320 B1 *	3/2022	Flannery	..... E05B 65/0007
				49/55	11,359,432 B2 *	6/2022	Wang	..... E06B 3/80
D670,792 S *	11/2012	Gessford	.....	D25/48.5	11,371,264 B2 *	6/2022	Zhang	..... E05B 65/0007
8,713,851 B2 *	5/2014	Flannery	.....	E05B 65/0007	2005/0173078 A1 *	8/2005	Perez, Jr.	..... A01K 1/035
				49/55				160/99
D710,556 S	8/2014	Muzaffer			2009/0013606 A1 *	1/2009	Yates	..... E06B 9/04
9,151,108 B1 *	10/2015	Flannery	.....	E05B 65/0014				49/463
9,279,284 B1 *	3/2016	Axelrod	.....	E06B 7/32	2012/0055092 A1 *	3/2012	Boucquey	..... E05B 65/0014
9,394,726 B1 *	7/2016	Flannery	.....	E06B 9/04				49/386
9,874,056 B1 *	1/2018	Flannery	.....	E06B 11/04	2012/0324792 A1 *	12/2012	Bertsch	..... E06B 9/04
10,161,181 B1 *	12/2018	Flannery	.....	E06B 9/02				49/37
10,183,644 B1 *	1/2019	Iverson	.....	B60R 21/026	2013/0118088 A1 *	5/2013	Yates	..... E05F 1/068
10,267,088 B2 *	4/2019	Marmion	.....	E06B 11/02				49/386
10,287,819 B1 *	5/2019	Flannery	.....	E06B 11/022	2014/0007506 A1 *	1/2014	Huang	..... E06B 9/04
D852,723 S *	7/2019	Iverson	.....	D12/400				49/394
10,450,795 B2 *	10/2019	Raffi	.....	E05B 65/0007	2015/0101253 A1 *	4/2015	Marsden	..... E05B 63/0065
10,683,699 B2 *	6/2020	Wang	.....	E06B 9/04				49/386
					2019/0023210 A1 *	1/2019	Iverson	..... B60R 21/026
					2021/0180397 A1 *	6/2021	Flannery	..... E06B 9/04

\* cited by examiner



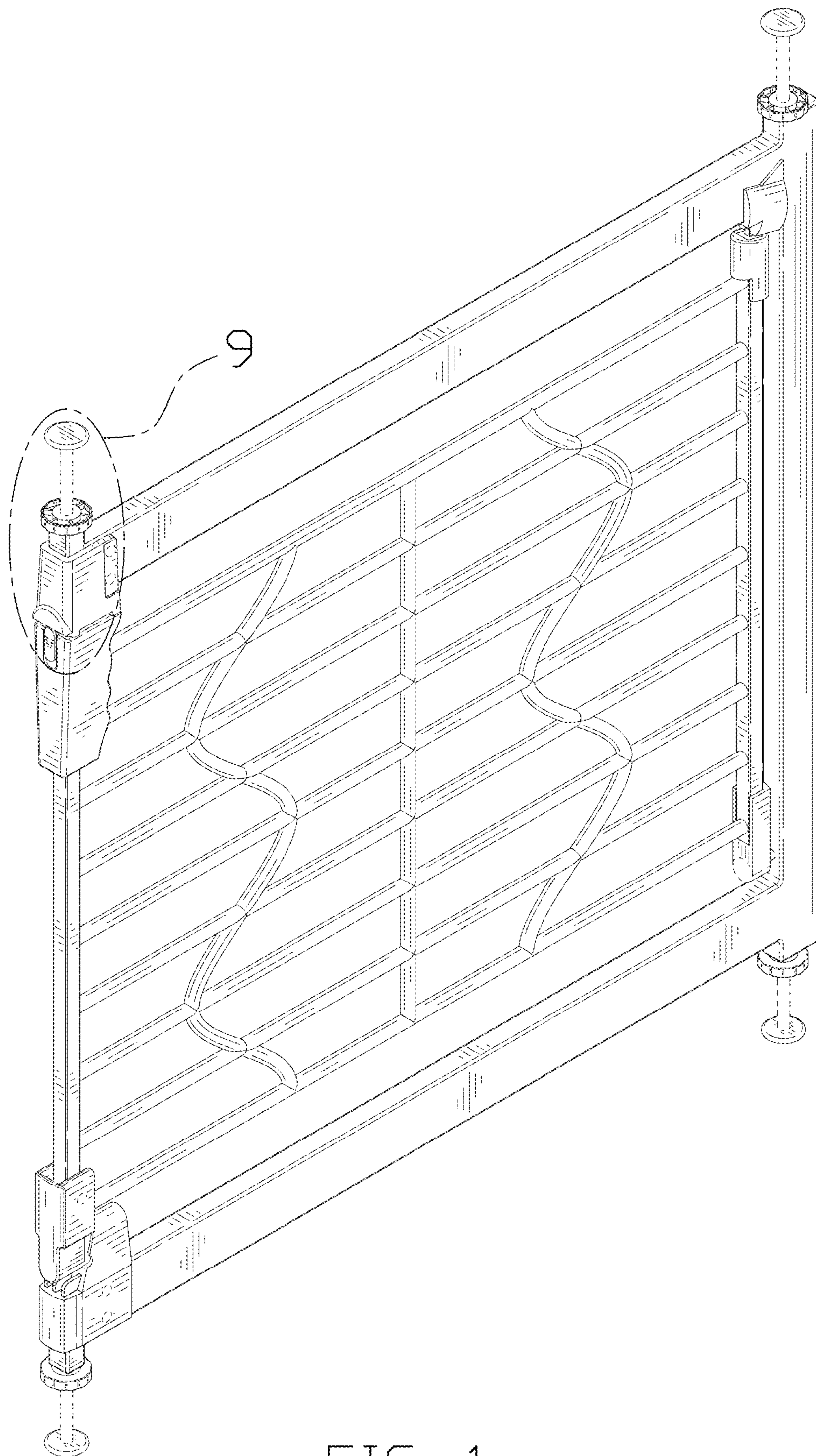


FIG. 1

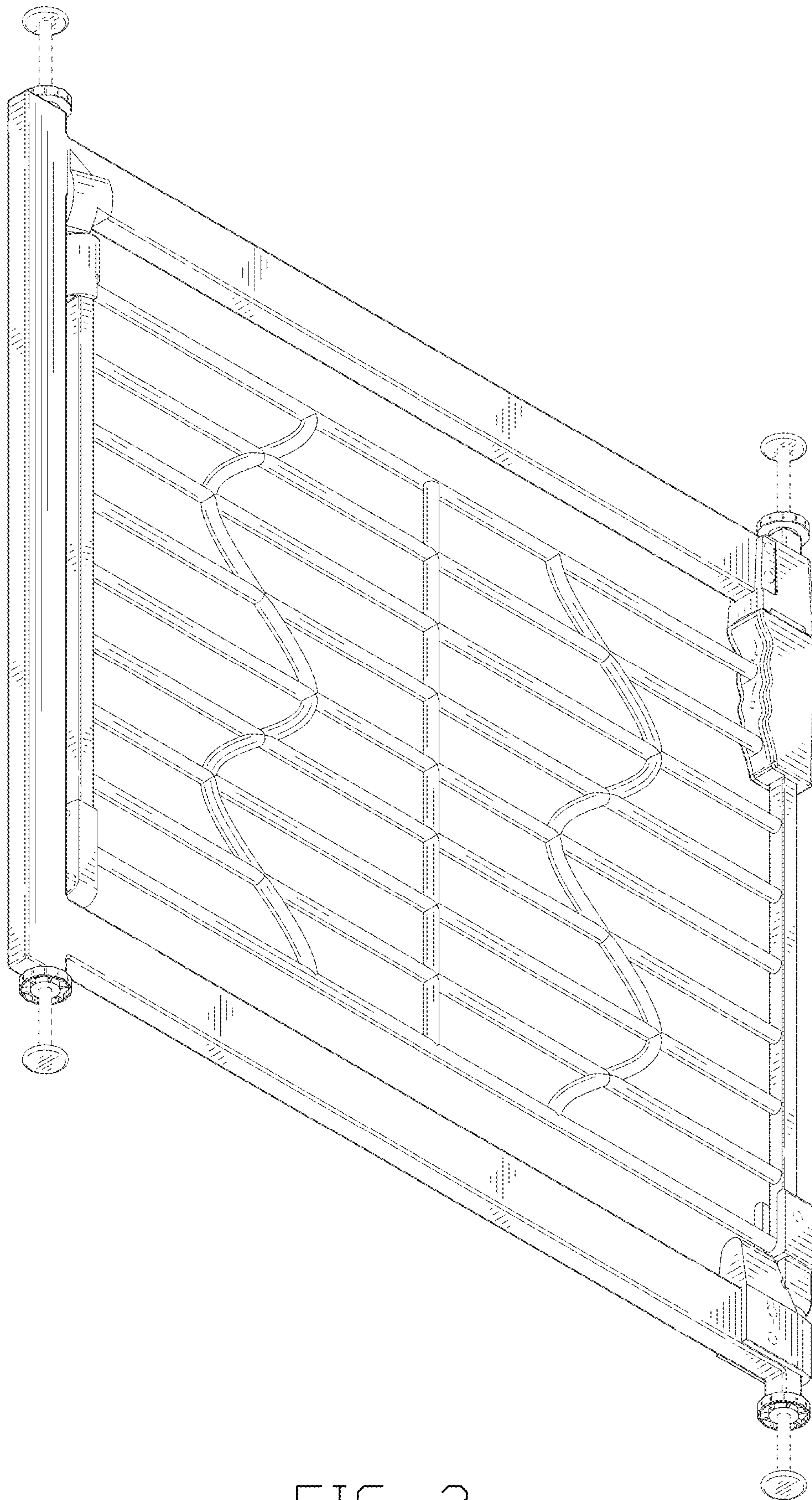


FIG. 2



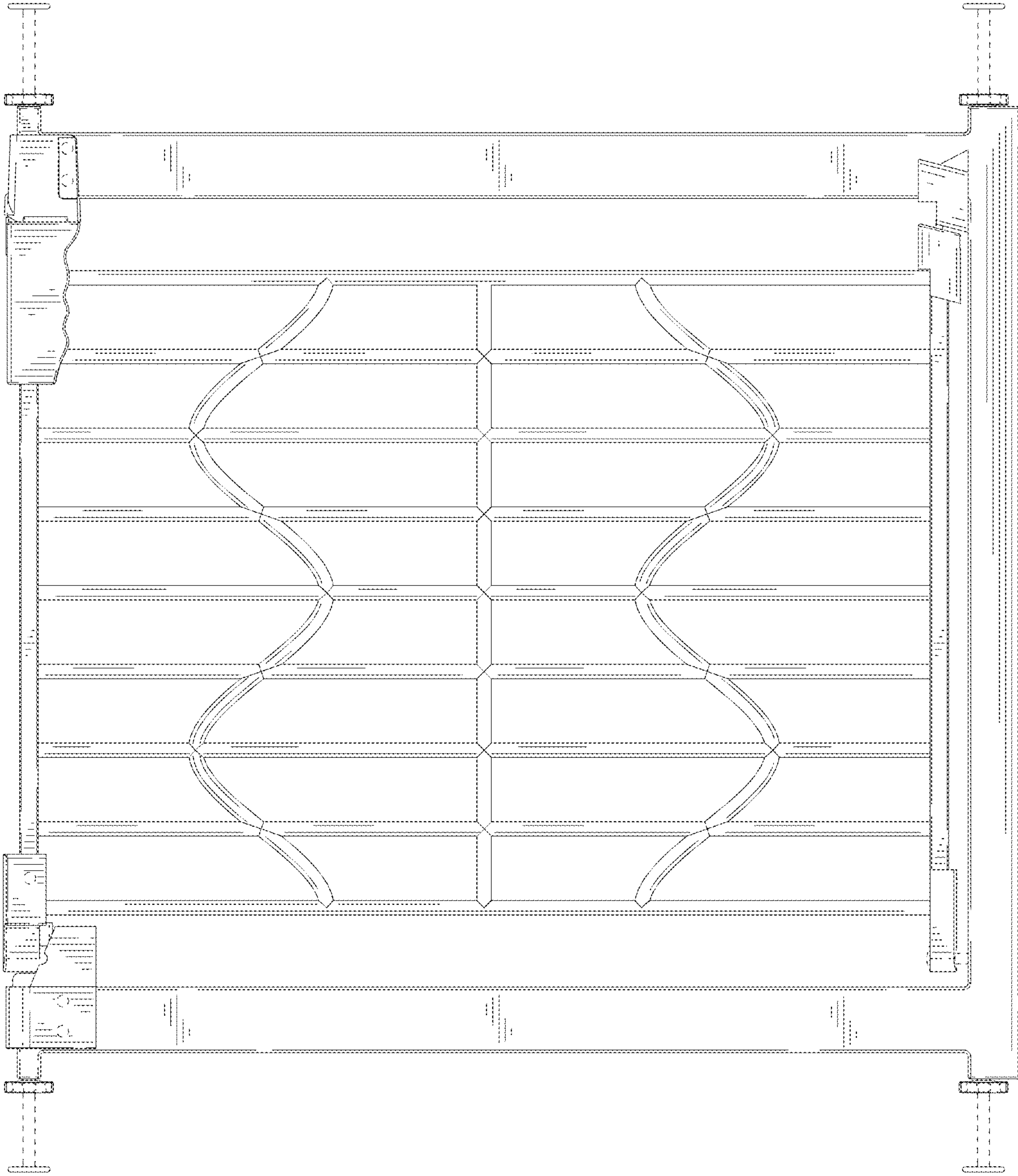


FIG. 3

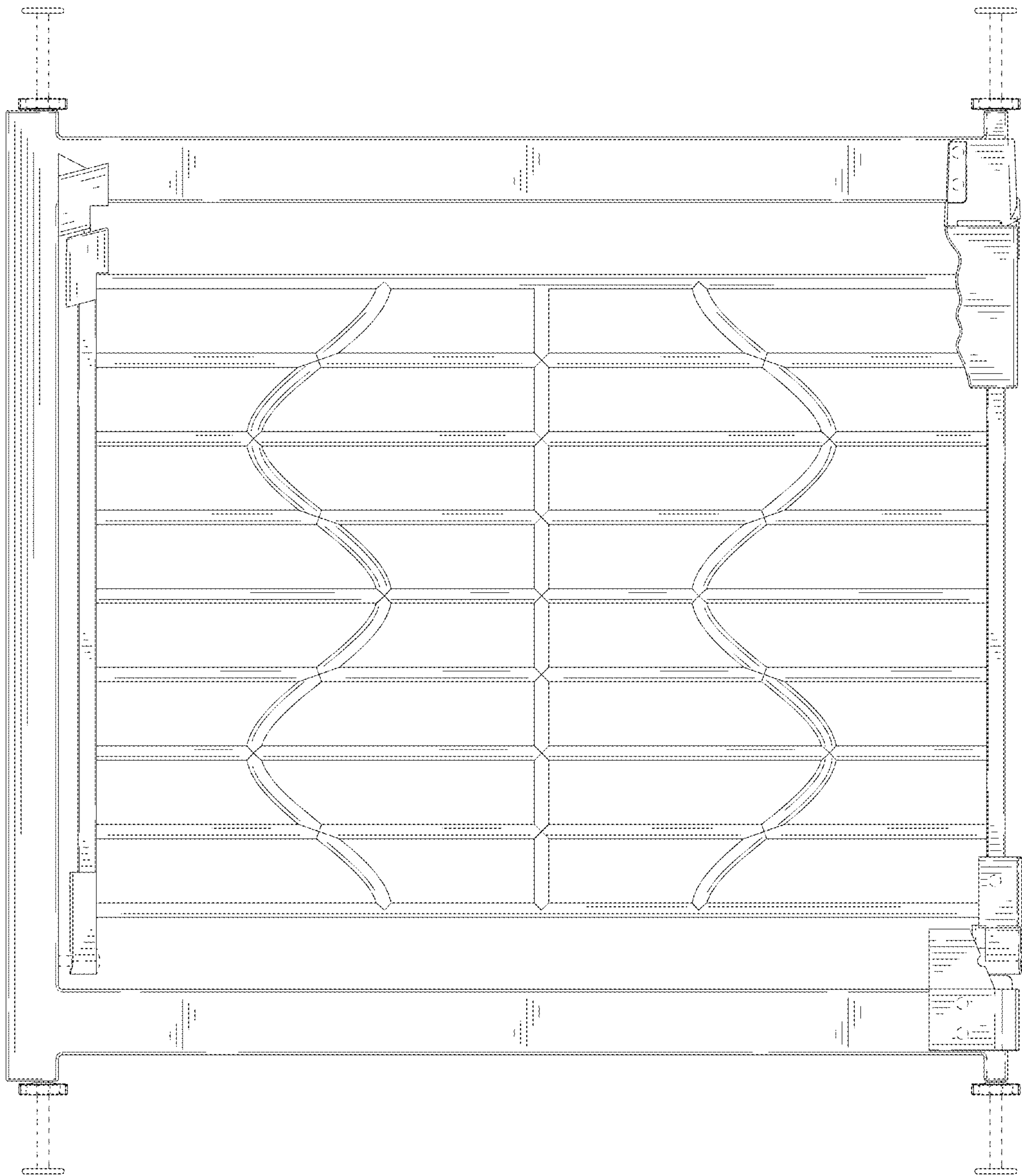


FIG. 4

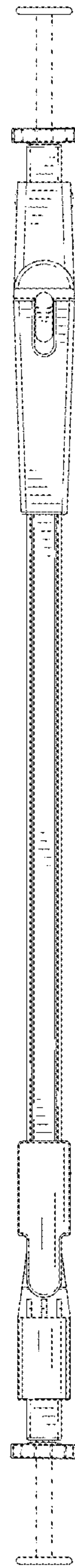


FIG. 5

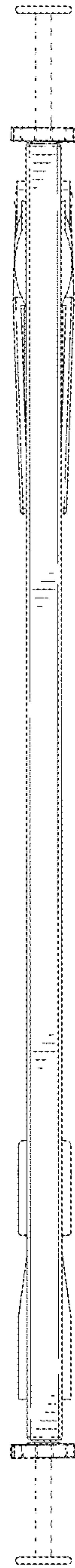


FIG. 6



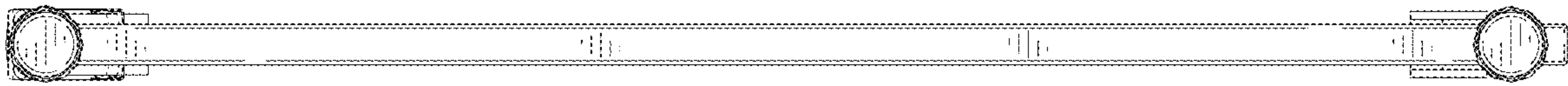


FIG. 7

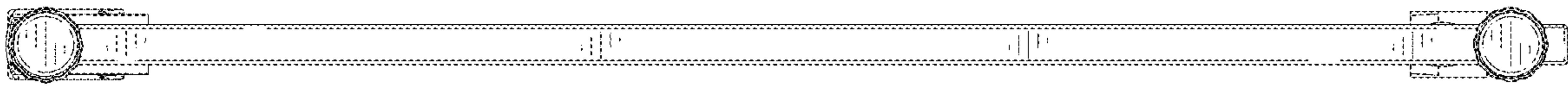


FIG. 8

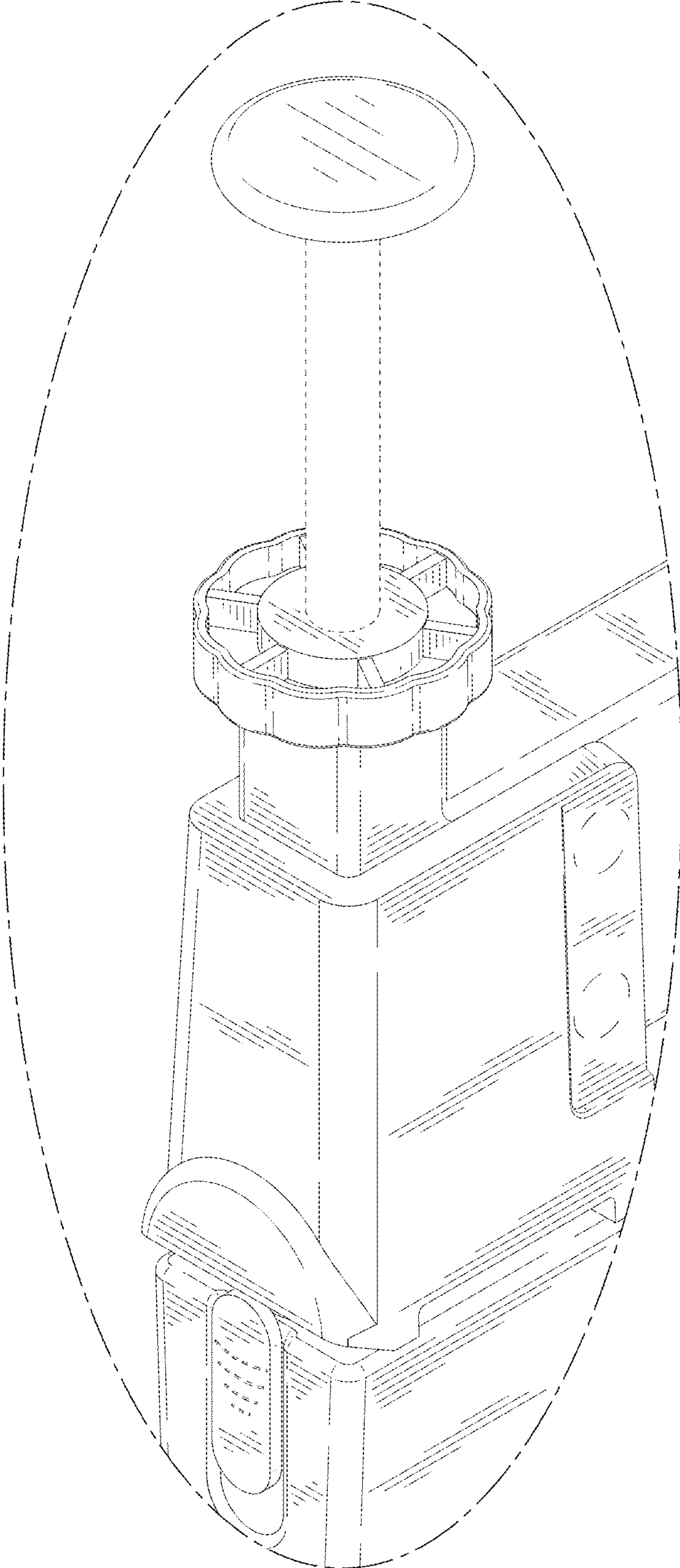


FIG. 9