

US00D967567S

(12) **United States Design Patent** (10) **Patent No.:** **US D967,567 S**  
**Wei** (45) **Date of Patent:** **\*\* Oct. 18, 2022**

(54) **DEVICE FOR WIRELESS DOG FENCE SYSTEM**

(71) Applicants: **Zhicong Chen**, Zhongshan (CN); **Yi Wei**, Shenzhen (CN)

(72) Inventor: **Yi Wei**, Shenzhen (CN)

(\*\*) Term: **15 Years**

(21) Appl. No.: **29/810,981**

(22) Filed: **Oct. 11, 2021**

(51) **LOC (13) Cl.** ..... **30-99**

(52) **U.S. Cl.**  
USPC ..... **D30/199**; D10/104.1

(58) **Field of Classification Search**  
USPC ..... D30/151-155, 144, 199, 160;  
119/792-798, 850, 855-859, 654, 905,  
119/907, 815, 712, 802, 784, 769, 760,  
119/776, 862, 908, 860, 719-721;  
242/381.1-381.2, 385.4, 378.3, 376.1,  
242/385.1, 916, 601, 570, 405, 404, 371,  
242/223, 170, 388.1, 405.2, 377, 381.3,  
242/381.6, 405.3, 388, 6, 384.7, 382,  
242/396.1, 404.1, 380; 362/108; 33/767,  
33/769, 414; D12/400; D3/229, 230,  
D3/207, 208, 215; 40/1.5, 455, 640, 303;  
206/63.3, 459.5, 702, 408; D6/515;  
D8/358, 360, 347, 360.1, 359, 356,  
D8/DIG. 1; D24/145, 167, 186, 146, 169  
CPC .... A01K 15/021; A01K 15/02; A01K 15/022;  
A01K 15/023; A01K 15/029; A01K  
15/04; A01K 15/00; A01K 15/006; A01K  
12/022; A01K 27/009; A01K 27/00;  
A01K 27/001; A01K 27/006-008; A01K  
29/005; A01K 29/00; A61B 5/0002-0028;  
A61B 5/681; A61B 5/6822; A61B  
5/6824; A61B 5/6829; G01S 5/0294

See application file for complete search history.

(56) **References Cited**

U.S. PATENT DOCUMENTS

D522,187 S 5/2006 Nottingham et al.  
D541,689 S \* 5/2007 Meyers ..... D10/118  
D631,552 S \* 1/2011 Kasabach ..... D24/186  
D710,228 S \* 8/2014 Burke ..... D10/104.1  
D710,229 S \* 8/2014 Burke ..... D10/104.1  
D710,230 S \* 8/2014 Burke ..... D10/104.1  
D726,052 S \* 4/2015 Henning ..... D10/70  
D770,443 S 11/2016 Francis et al.  
D772,228 S 11/2016 Jung et al.  
D788,999 S 6/2017 Zinn et al.  
D805,482 S \* 12/2017 McRoberts ..... D13/168  
D806,880 S \* 1/2018 Henning ..... D14/344  
9,861,080 B1 \* 1/2018 Hathway ..... A01K 27/001  
D812,499 S \* 3/2018 Kuh ..... D10/70  
D829,120 S \* 9/2018 Mitchell ..... D10/104.1  
D836,858 S 12/2018 Zinn et al.  
D880,082 S 3/2020 Zinn et al.

(Continued)

*Primary Examiner* — Susan Moon Lee

(57) **CLAIM**

The ornamental design for a device for wireless dog fence system, substantially as shown and described.

**DESCRIPTION**

FIG. 1 is a bottom, front and right side perspective view of a device for wireless dog fence system, showing my new design;

FIG. 2 is a front elevational view thereof;

FIG. 3 is a rear elevational view thereof;

FIG. 4 is a right side elevational view thereof;

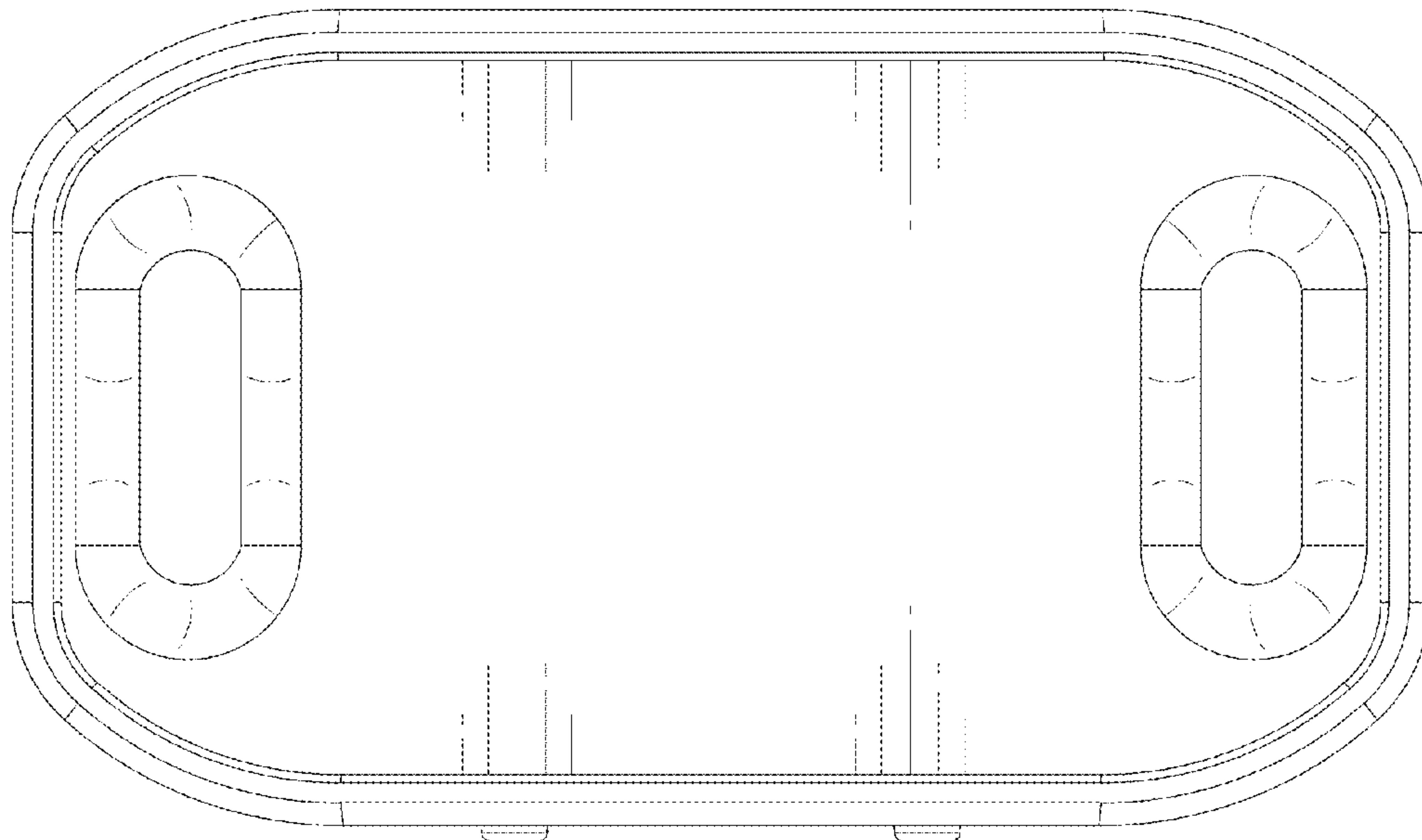
FIG. 5 is a left side elevational view thereof;

FIG. 6 is a bottom plan view thereof; and,

FIG. 7 is a top plan view thereof.

The broken lines in the drawings illustrate the portions of the device for wireless dog fence system, which form no part of the claimed design.

**1 Claim, 7 Drawing Sheets**



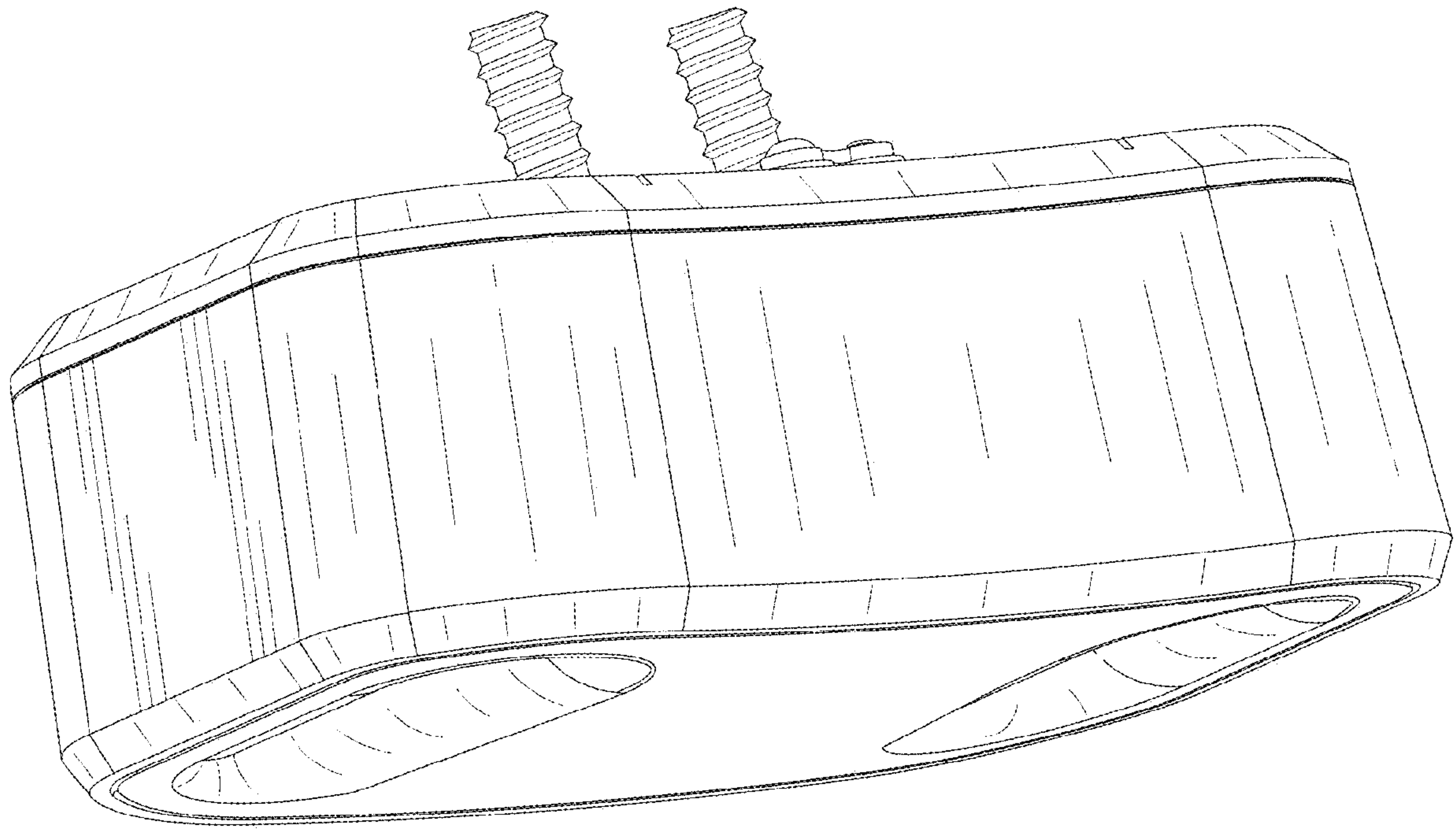
(56)

**References Cited**

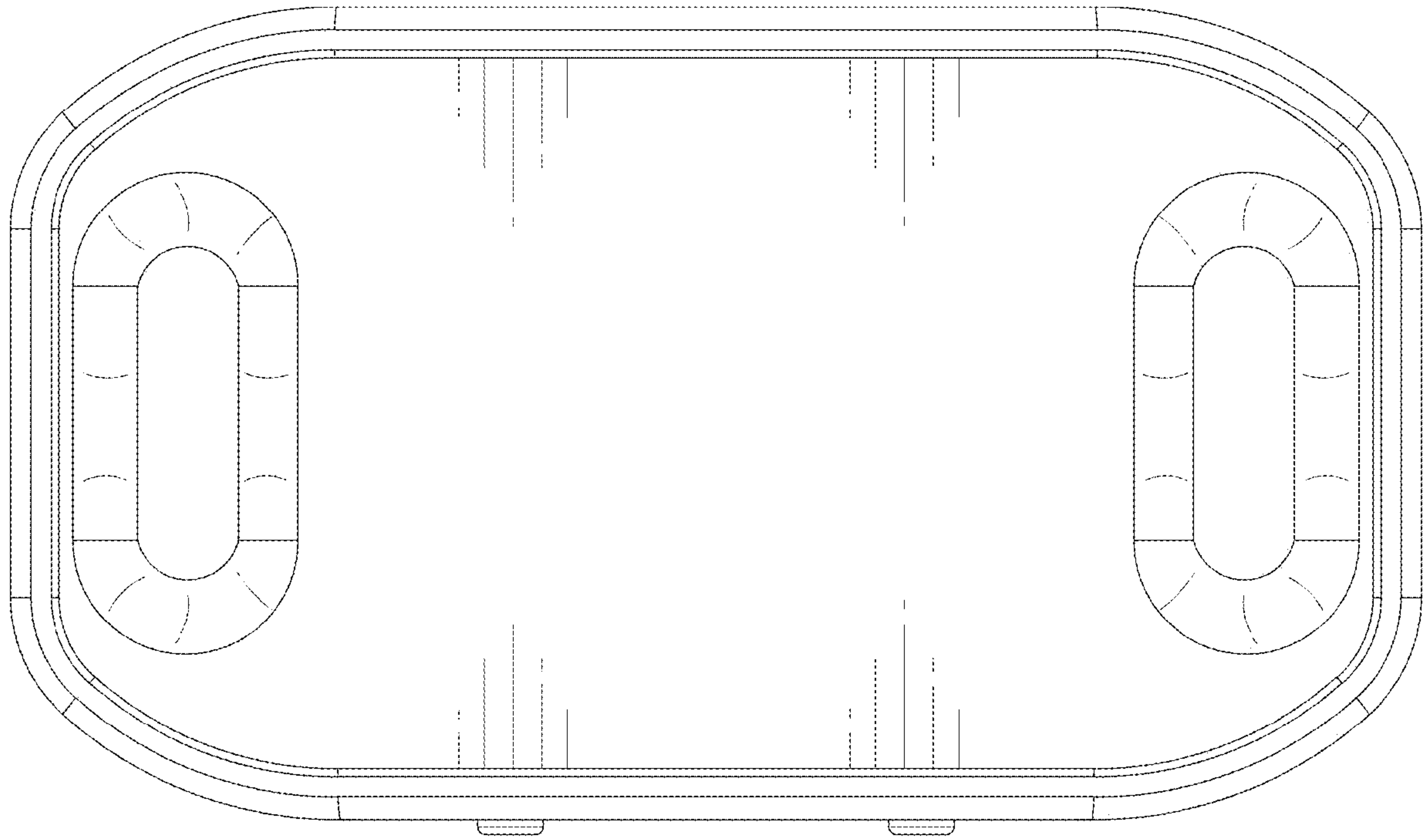
U.S. PATENT DOCUMENTS

D888,353 S \* 6/2020 Lan ..... D10/104.1  
D898,307 S \* 10/2020 Yang ..... D10/104.1  
D919,201 S \* 5/2021 Wang ..... D10/104.1  
D925,141 S \* 7/2021 Lai ..... D10/104.1  
D945,721 S \* 3/2022 Luo ..... D10/104.1  
D953,667 S \* 5/2022 Li ..... D30/152  
2007/0209604 A1\* 9/2007 Groh ..... A01K 15/021  
119/858  
2019/0090761 A1\* 3/2019 Sawanoi ..... A61B 5/022

\* cited by examiner



**FIG.1**



**FIG.2**

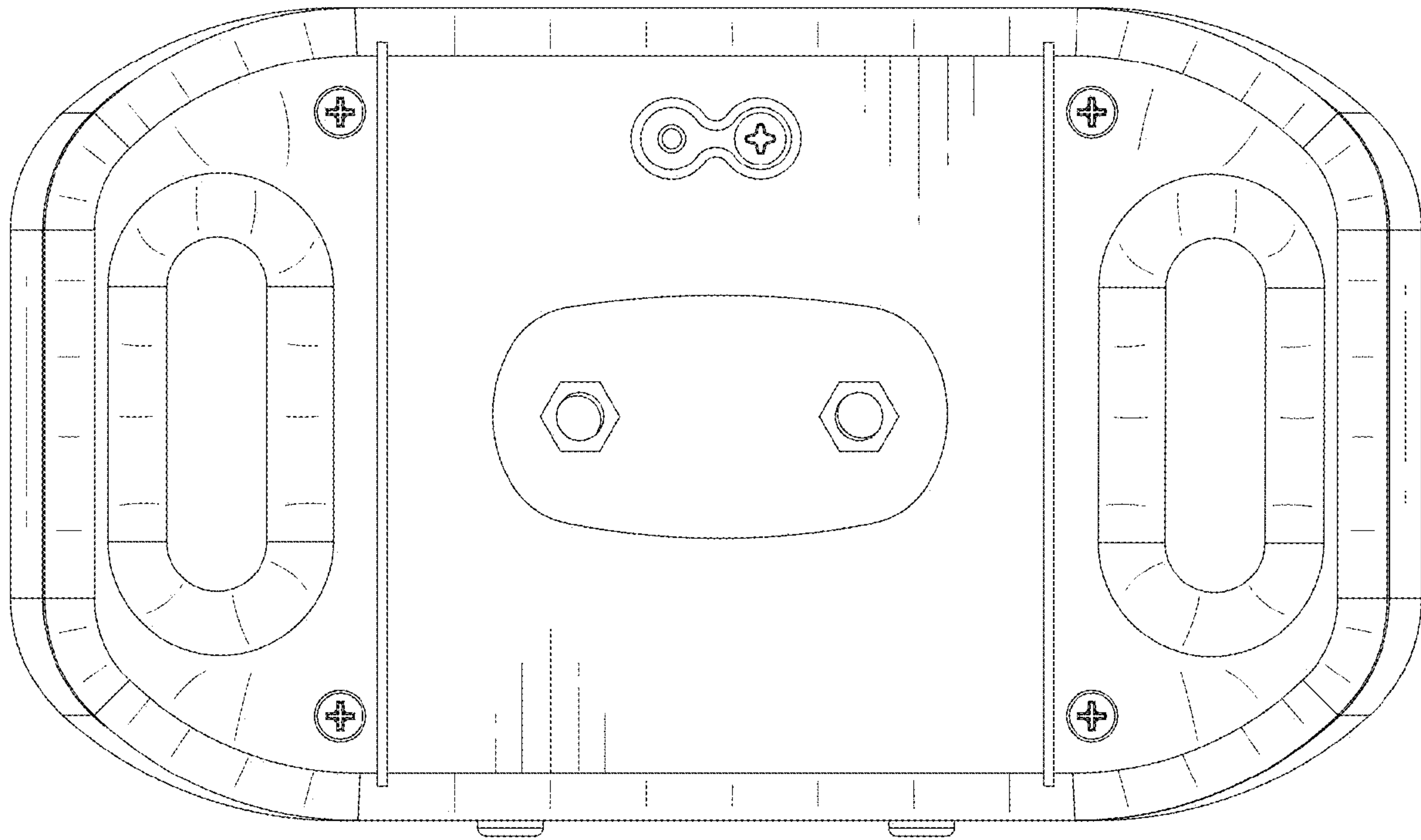
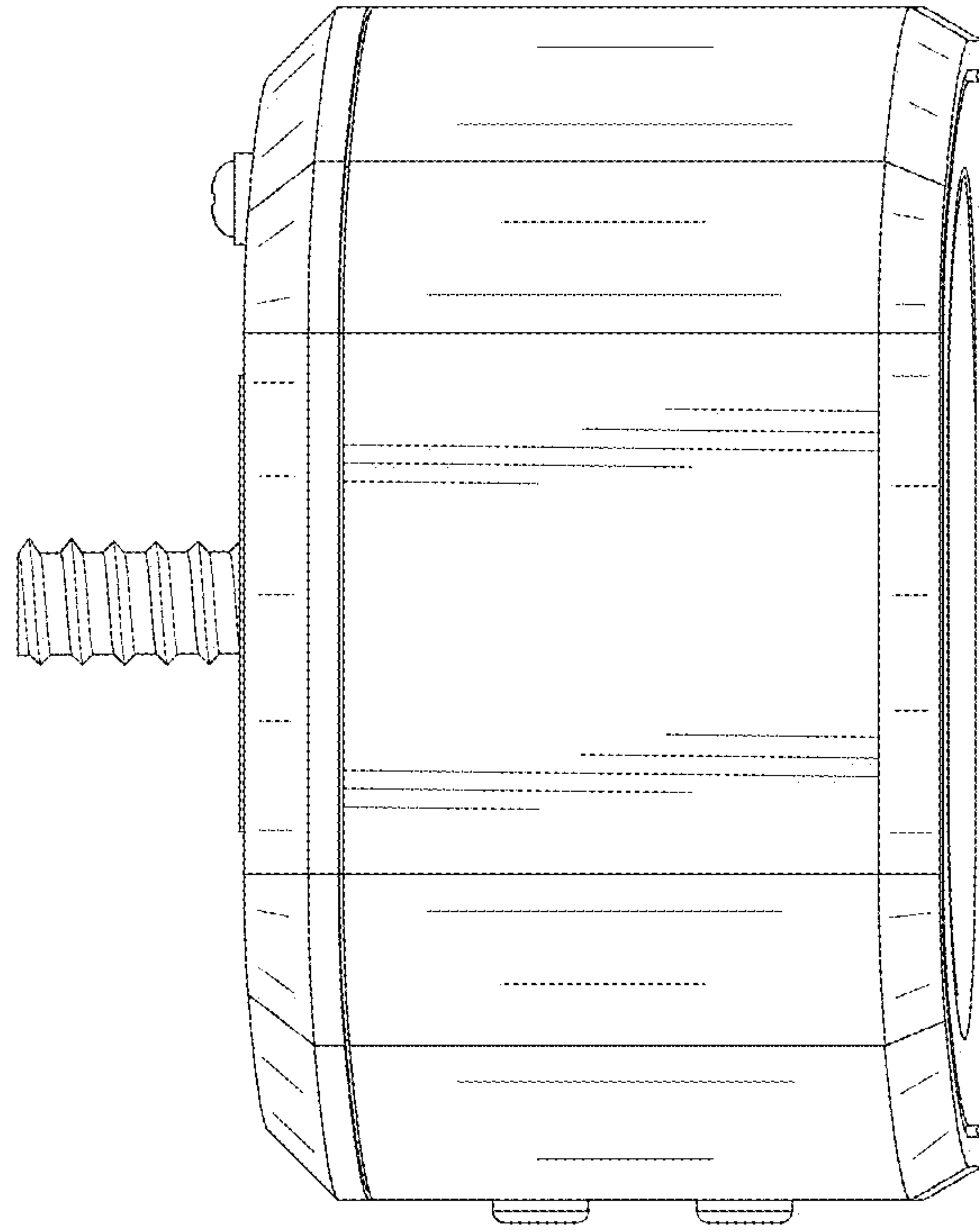
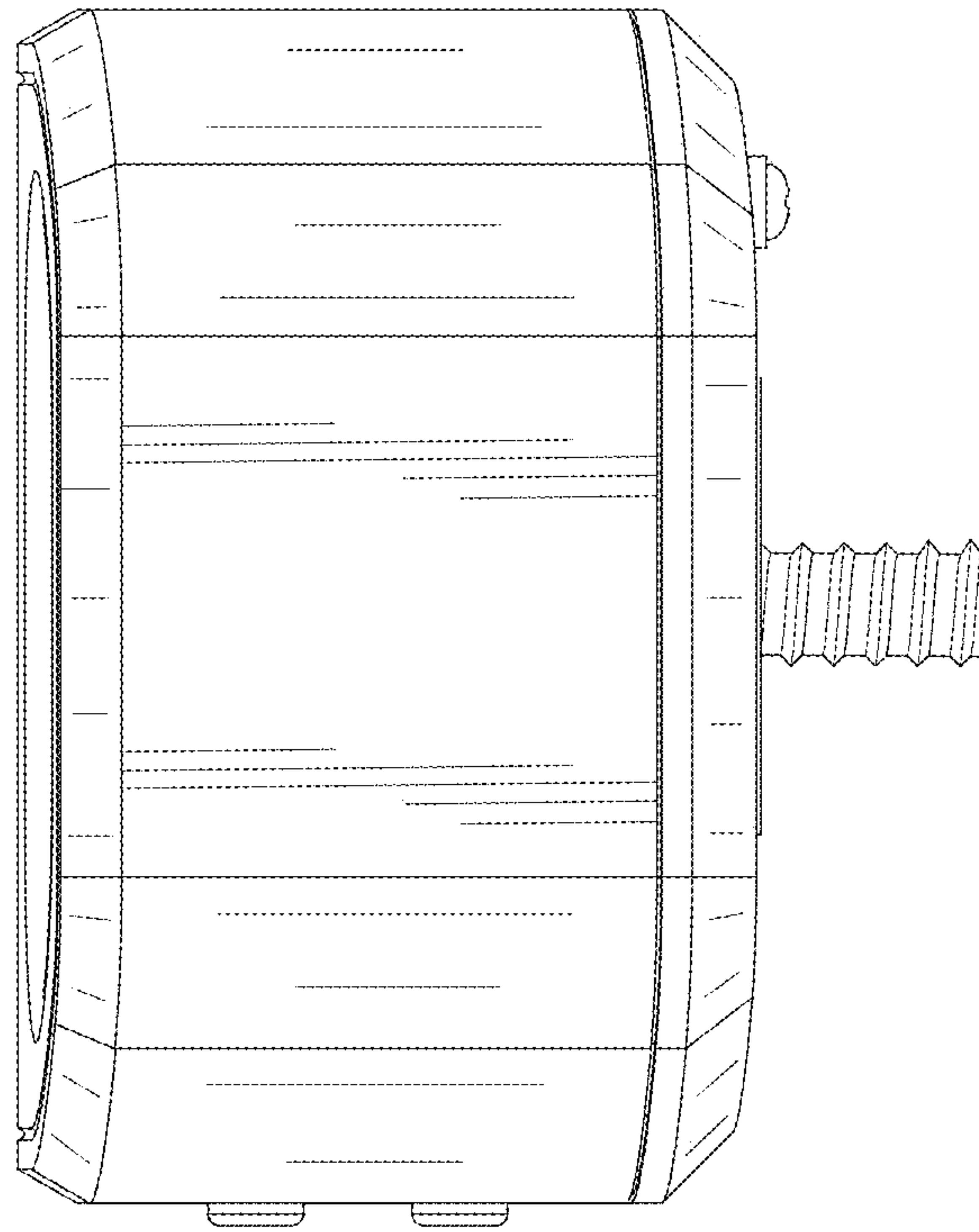


FIG.3

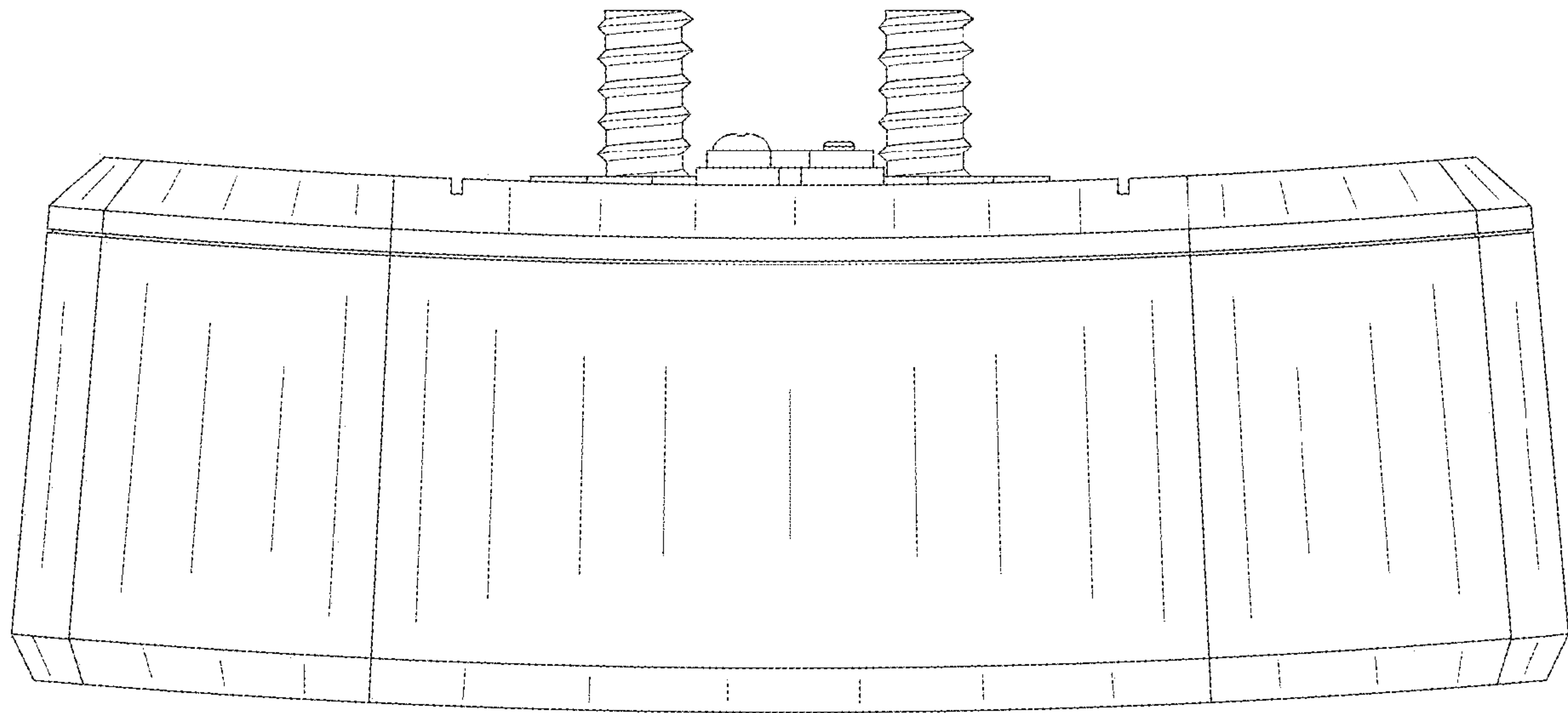




**FIG.4**

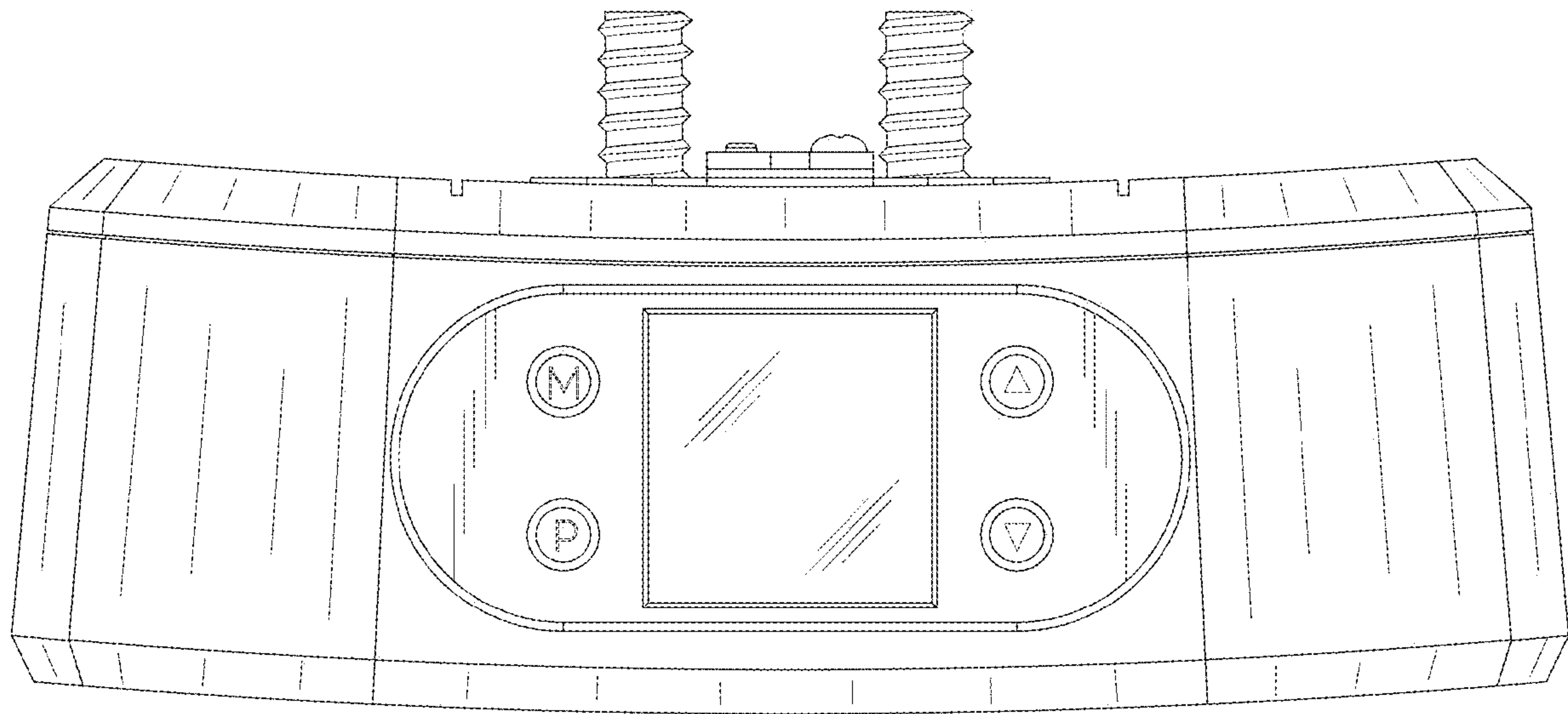


**FIG.5**



**FIG.6**





**FIG.7**