



US00D967561S

(12) **United States Design Patent**
Pan

(10) **Patent No.:** **US D967,561 S**

(45) **Date of Patent:** **** Oct. 18, 2022**

- (54) **DOG MUZZLE**
- (71) Applicant: **Zengqiang Pan**, Huizhou (CN)
- (72) Inventor: **Zengqiang Pan**, Huizhou (CN)
- (**) Term: **15 Years**
- (21) Appl. No.: **29/804,213**
- (22) Filed: **Aug. 18, 2021**
- (51) **LOC (13) Cl.** **30-04**
- (52) **U.S. Cl.**
USPC **D30/152**
- (58) **Field of Classification Search**
USPC D30/136, 137, 144, 145, 151, 152, 153,
D30/154, 155, 199; D29/101.1, 101.2,
D29/101.3, 101.4, 101.5
CPC .. A01K 13/006; A01K 27/001; A01K 27/005;
A01K 25/00; A61D 9/00; A61D 3/00;
A61D 7/04; F16G 11/101; A61M 16/04;
A61M 16/0488; A61M 2250/00
See application file for complete search history.

(56) **References Cited**

U.S. PATENT DOCUMENTS

- 254,302 A * 2/1882 Gallinger A01K 19/00
119/831
- 368,430 A * 8/1887 Spooner A01K 25/00
119/831
- 3,834,121 A * 9/1974 Mahoney B68B 1/10
54/80.2
- 4,519,187 A * 5/1985 Reynolds A01K 13/006
54/80.3
- D289,810 S * 5/1987 Kotas D30/152
- D316,764 S * 5/1991 Edwards 119/831
- D322,695 S * 12/1991 LaDue 224/159
- 5,136,984 A * 8/1992 Askinasi A01K 25/00
119/831
- 5,218,929 A * 6/1993 Michunovich A01K 25/00
119/832
- 5,267,529 A * 12/1993 Zelinger A01K 25/00
119/831

- 5,785,008 A * 7/1998 Liu A01K 25/00
119/831
- 7,690,332 B1 * 4/2010 Merbeth A01K 25/00
54/80.3
- 7,891,321 B2 * 2/2011 Slank A01K 25/00
119/831
- 8,596,224 B2 * 12/2013 Taylor A01K 25/00
119/831
- 8,984,725 B2 * 3/2015 Fidrych A44B 11/253
24/637

(Continued)

FOREIGN PATENT DOCUMENTS

- AR 86845 * 4/2014
- GB 2007351 * 6/1990
- GB 2062180 * 1/1997

OTHER PUBLICATIONS

Dog Muzzle, mesh Breathable Dog Muzzle, dated to Apr. 21, 2021, amazon.com [online]. Retrieved Aug. 27, 2022 from internet <URL: <https://www.amazon.com/Breathable-Muzzles-Barking-Chewing-Adjustable/dp/B0932T3Z3W/>> (Year: 2021).*

Primary Examiner — Andrew T Nemeth

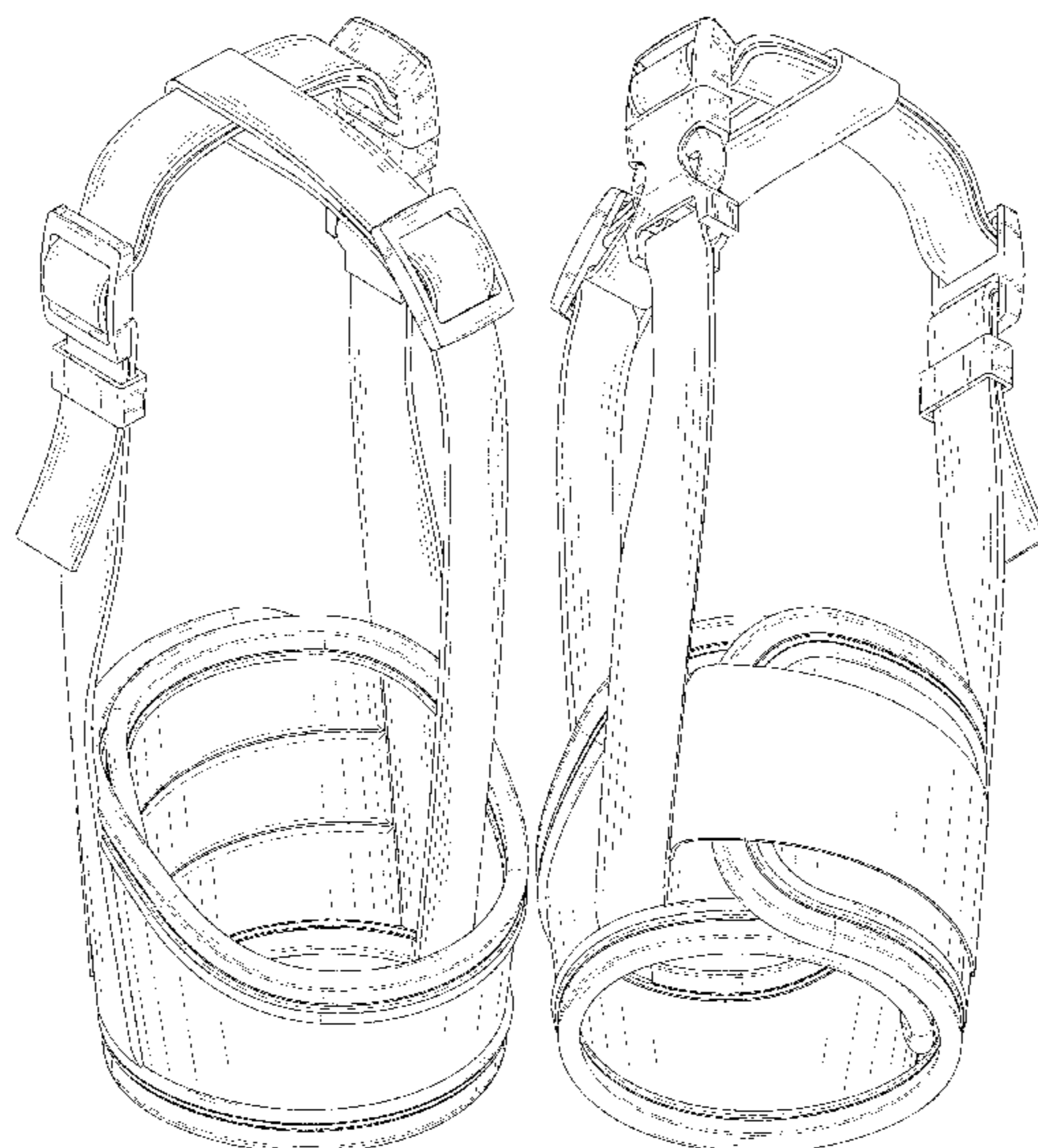
(57) **CLAIM**

The ornamental design for a dog muzzle, as shown and described.

DESCRIPTION

FIG. 1 is a perspective view of a dog muzzle showing my new design;
FIG. 2 is another perspective view thereof;
FIG. 3 is a front elevational view thereof;
FIG. 4 is a rear elevational view thereof;
FIG. 5 is a left side elevational view thereof;
FIG. 6 is a right side elevational view thereof;
FIG. 7 is a top plan view thereof; and,
FIG. 8 is a bottom plan view thereof.

1 Claim, 8 Drawing Sheets



(56)

References Cited

U.S. PATENT DOCUMENTS

D791,416 S	7/2017	Ainge	
2011/0107982 A1*	5/2011	Taylor	A01K 25/00 119/831
2011/0185981 A1*	8/2011	Mitton	A01K 25/00 119/832
2015/0113923 A1*	4/2015	Wood	A01K 13/006 54/80.2
2016/0255815 A1*	9/2016	Bess	A01K 25/00

* cited by examiner

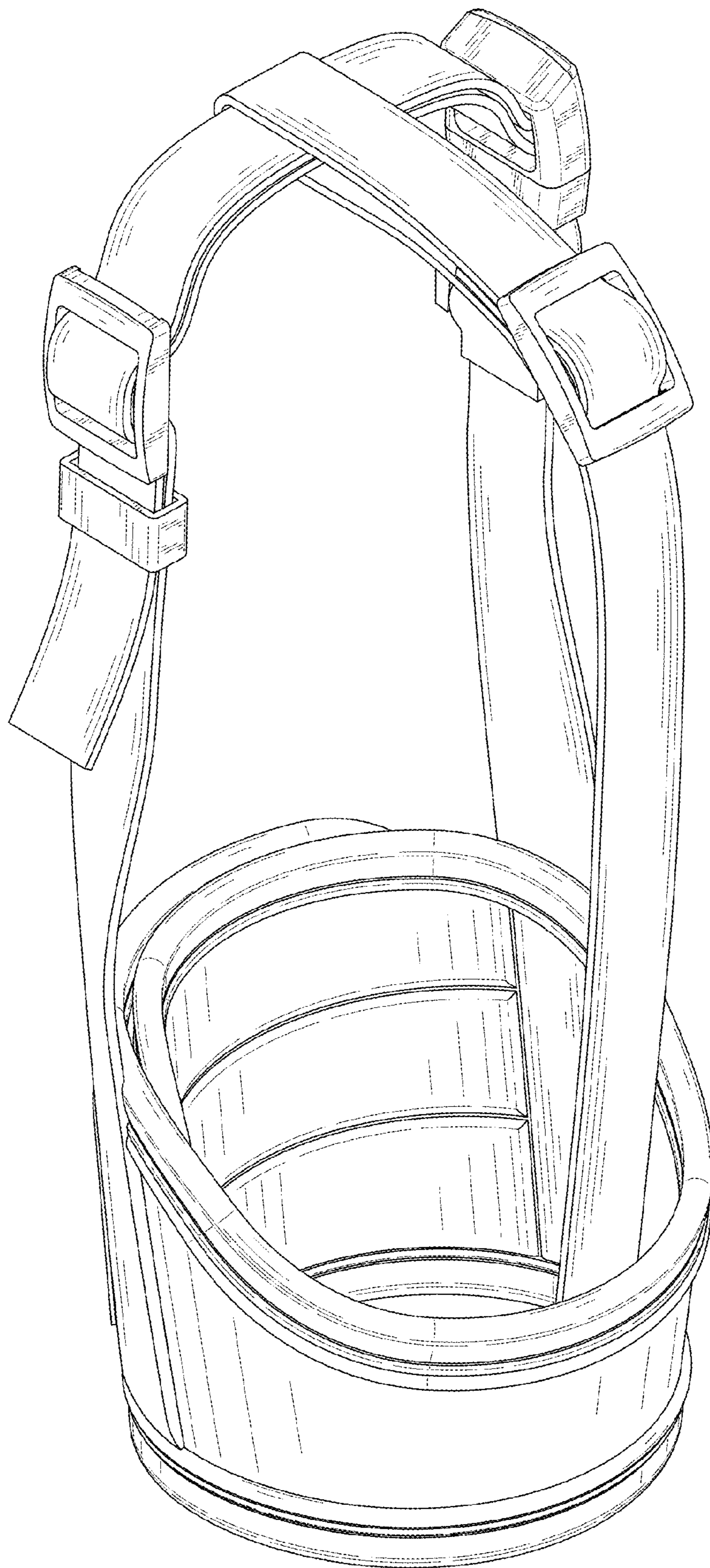


FIG. 1

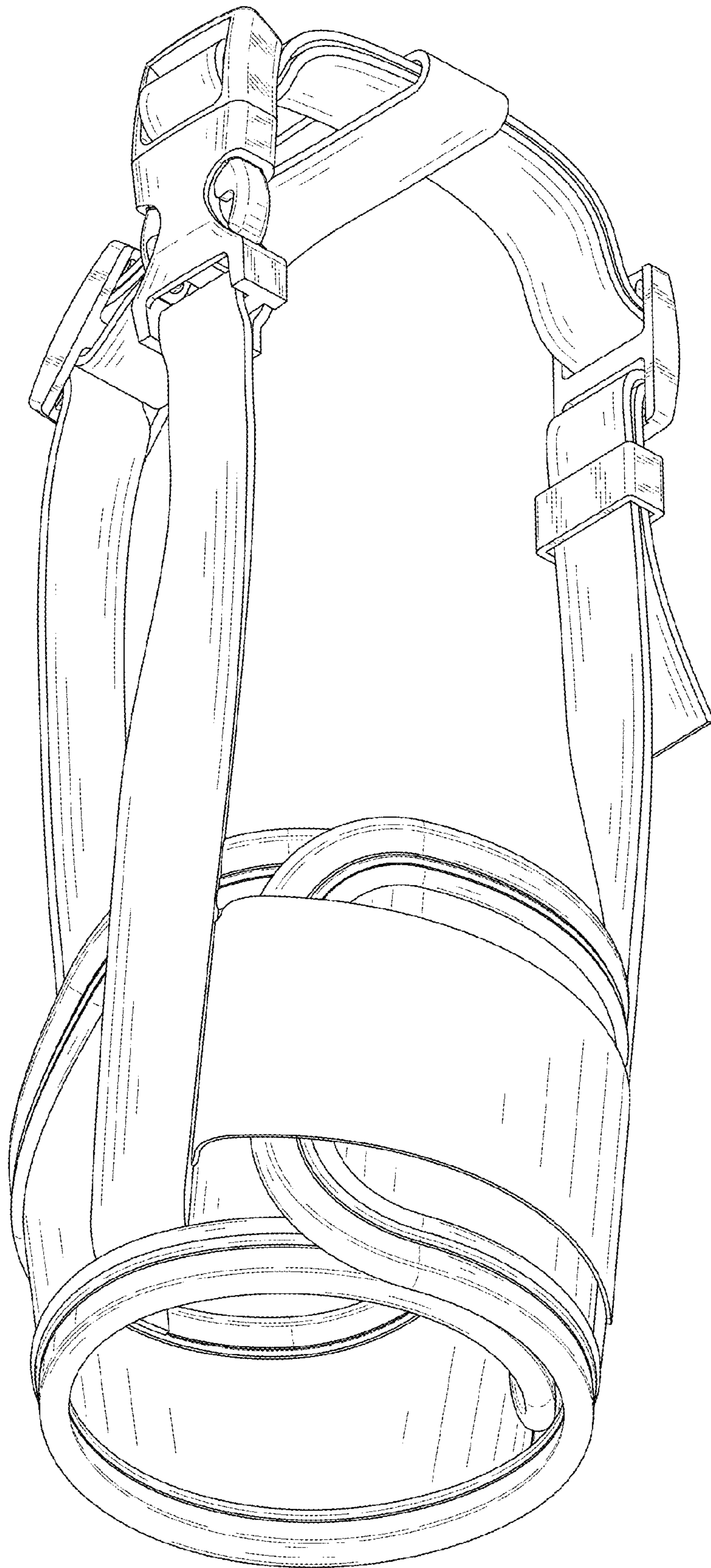


FIG. 2

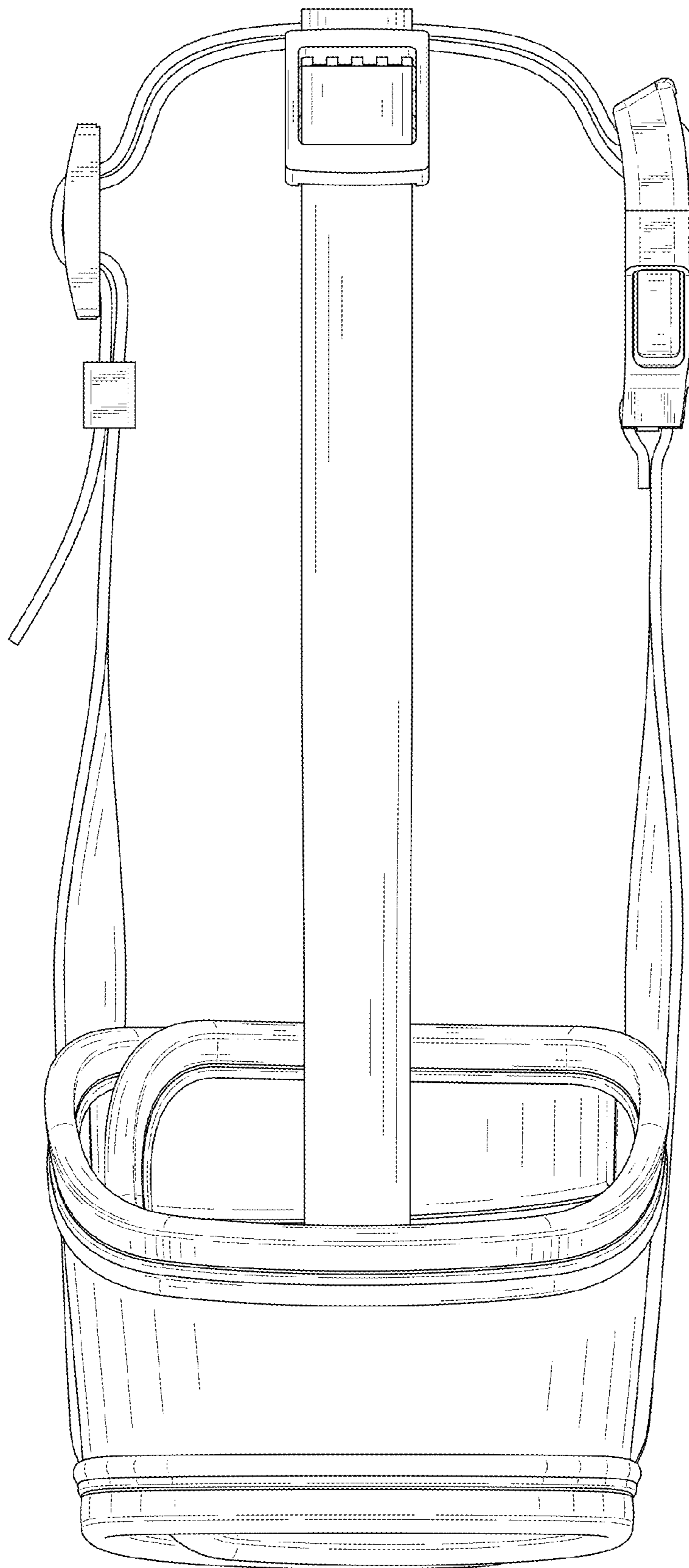


FIG. 3

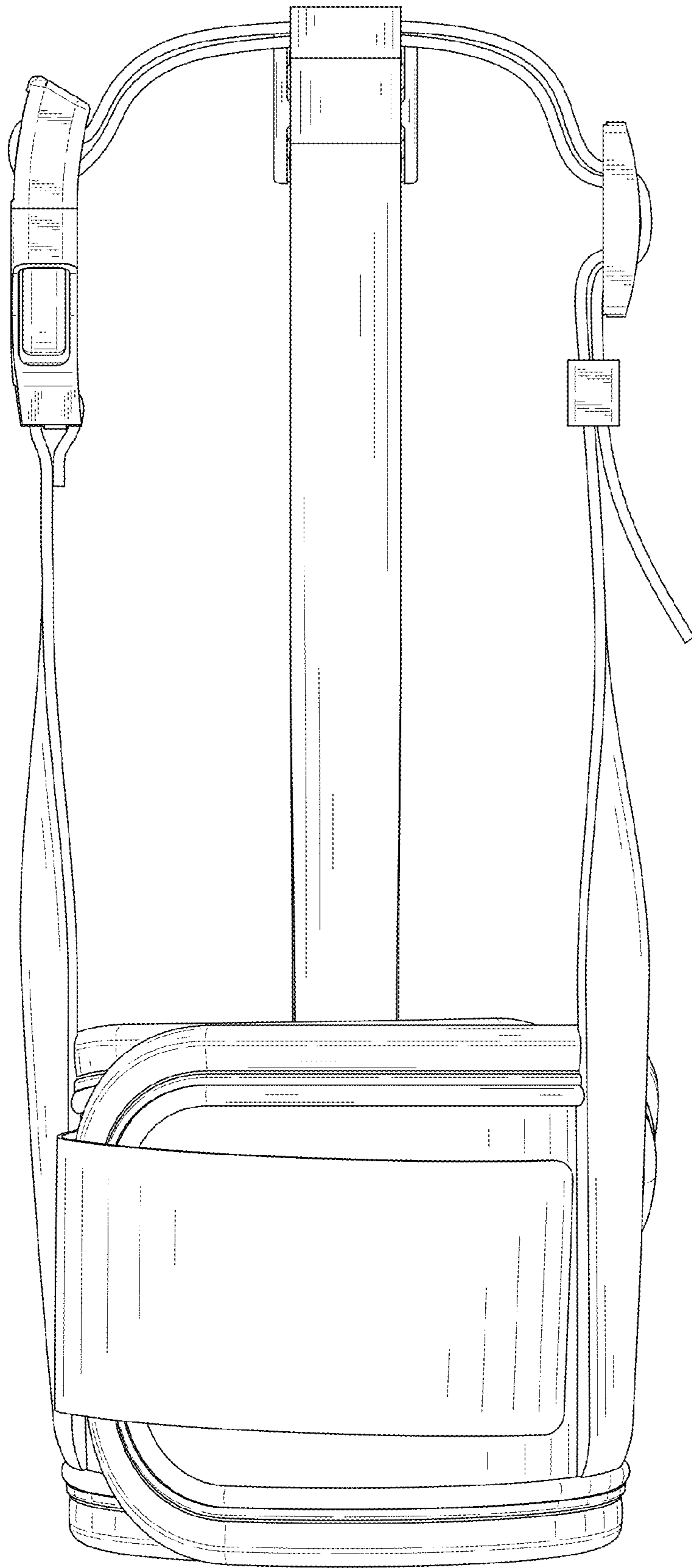


FIG. 4

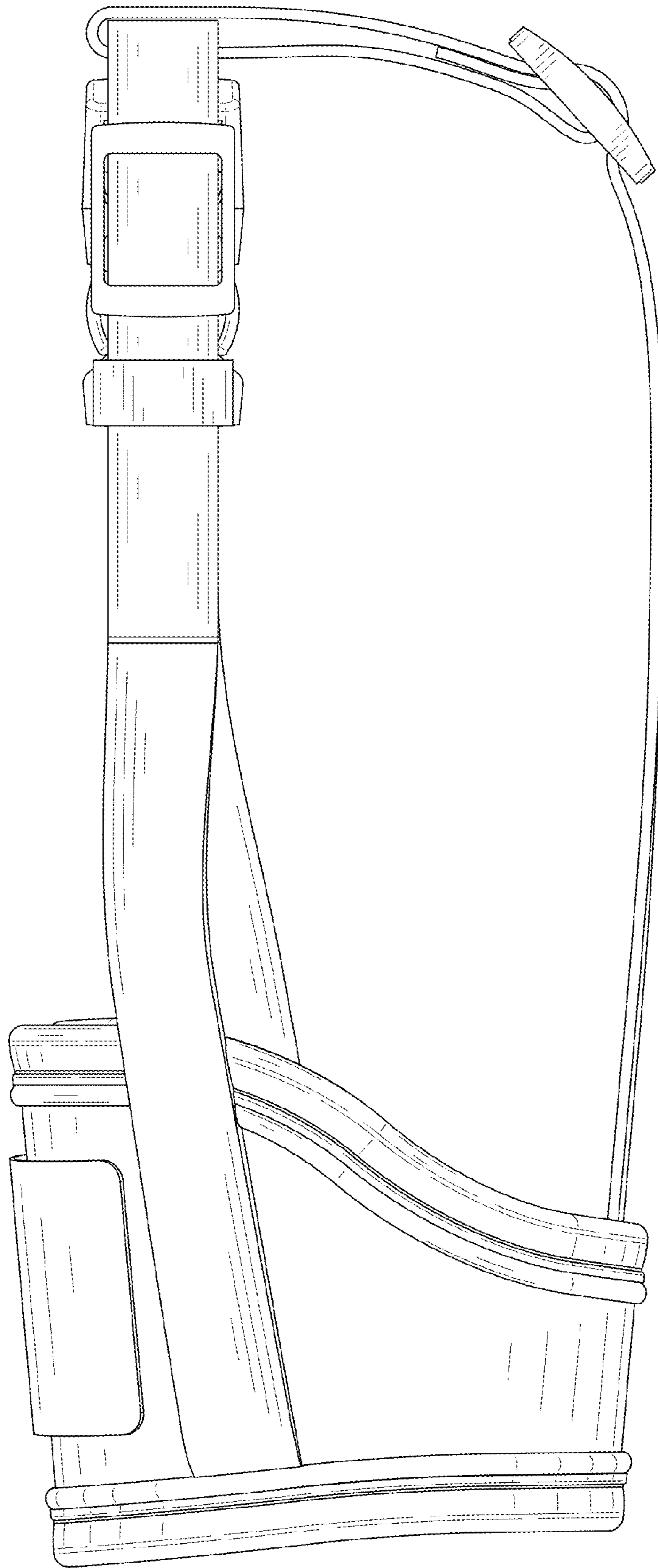


FIG. 5



FIG. 6

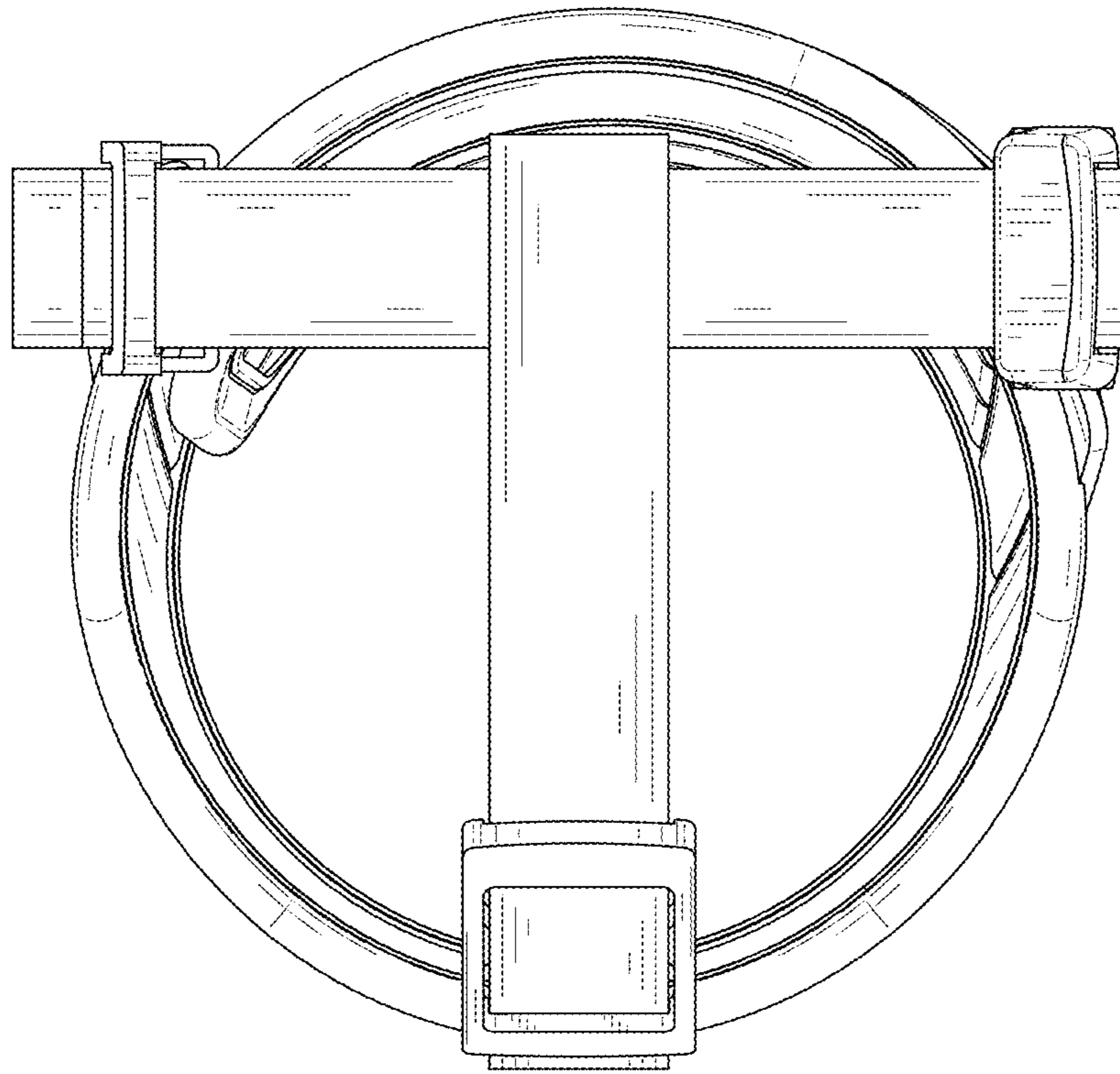


FIG. 7

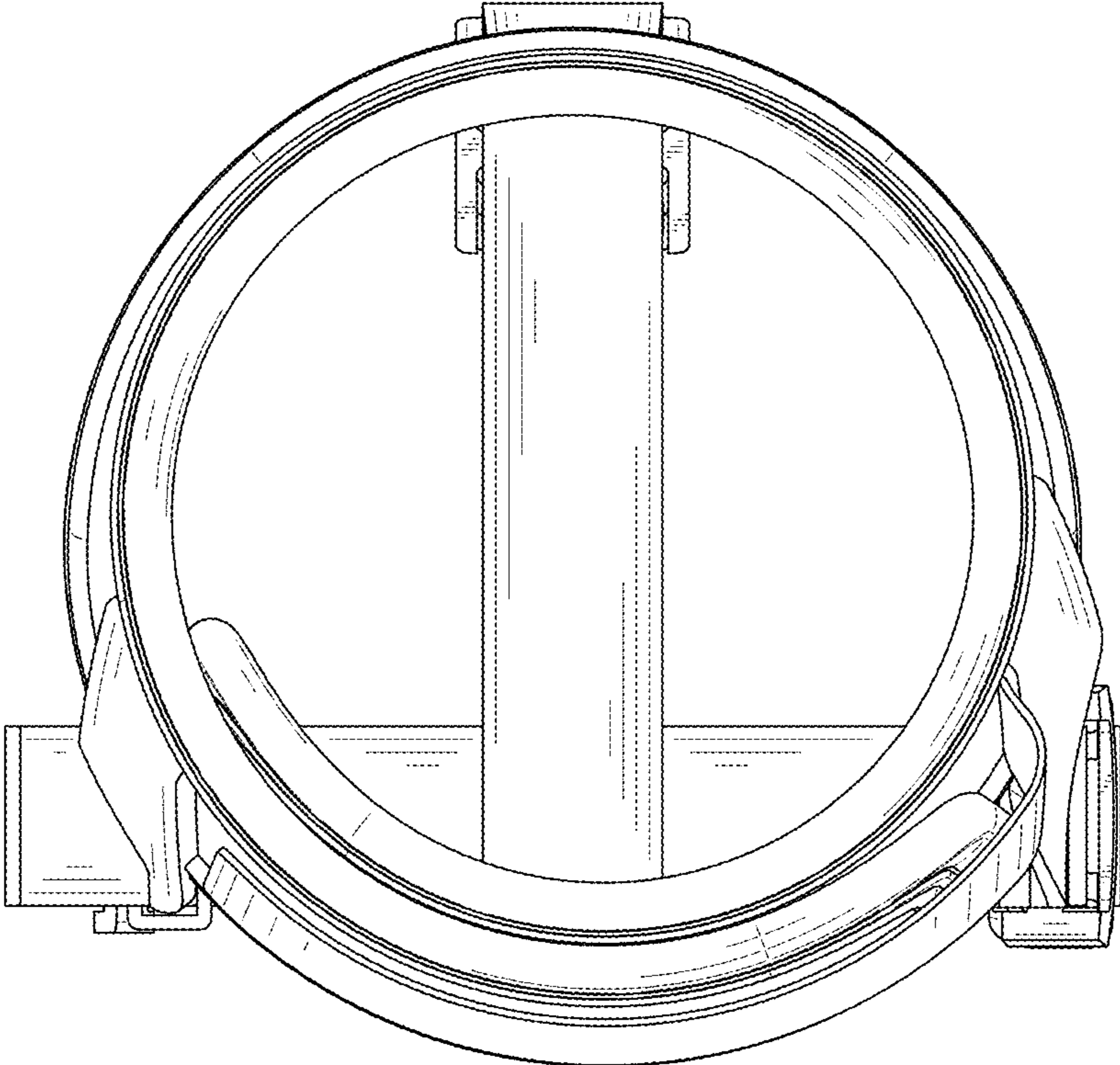


FIG. 8