



US00D967555S

(12) **United States Design Patent** (10) **Patent No.:** **US D967,555 S**
Reaser (45) **Date of Patent:** **** Oct. 18, 2022**

- (54) **MINERAL BLOCK HOLDER**
- (71) Applicant: **Outdoor Product Innovations, Inc.**,
Elyria, OH (US)
- (72) Inventor: **Daniel B Reaser**, Elyria, OH (US)
- (73) Assignee: **Outdoor Product Innovations, Inc.**,
Elyria, OH (US)
- (**) Term: **15 Years**
- (21) Appl. No.: **29/745,822**
- (22) Filed: **Aug. 10, 2020**
- (51) **LOC (13) Cl.** **30-07**
- (52) **U.S. Cl.**
USPC **D30/121**
- (58) **Field of Classification Search**
USPC D30/119, 121, 133
CPC A01K 39/0106; A01K 5/015
See application file for complete search history.

D720,895	S *	1/2015	Yates	D30/121
9,380,761	B2 *	7/2016	Graves	A01K 5/00
D847,441	S *	4/2019	Landry	D30/131
D907,864	S *	1/2021	Schwartz	D30/131
D935,704	S *	11/2021	Zhang	D30/124
2014/0295021	A1 *	10/2014	Bowles	A01M 31/008
					426/1
2015/0257414	A1 *	9/2015	Bowles	A23K 10/40
					426/1

OTHER PUBLICATIONS

“Capsule Block Holder—Capsule Feeders.” Found online Jun. 14, 2022 at www.capsulefeeders.com. Page archived Nov. 30, 2020. Retrieved from URL: <https://web.archive.org/web/20201130005323/https://capsulefeeders.com/collections/products/products/capsule-block-holder> (Year: 2020).*

(Continued)

Primary Examiner — Mary Ann Calabrese
Assistant Examiner — Katelin G Kloberg
(74) *Attorney, Agent, or Firm* — McCarthy, Lebit, Crystal & Liffman Co., L.P.A.

(56) **References Cited**

U.S. PATENT DOCUMENTS

2,267,062	A *	12/1941	Walter	A01K 5/015
					119/51.03
2,709,985	A *	6/1955	Clauson	A01K 5/015
					119/51.03
D211,845	S *	8/1968	Bailey	D1/100
4,156,119	A *	5/1979	Matthews	H01H 15/02
					200/51.06
4,602,757	A *	7/1986	Signorelli	A01K 39/0106
					248/309.2
5,195,458	A *	3/1993	Black	A01K 5/015
					119/51.03
5,553,416	A *	9/1996	Jasso, Jr.	A01G 7/06
					248/505
D397,527	S *	8/1998	Bruder	D30/121
D716,002	S *	10/2014	Greenan	D7/629

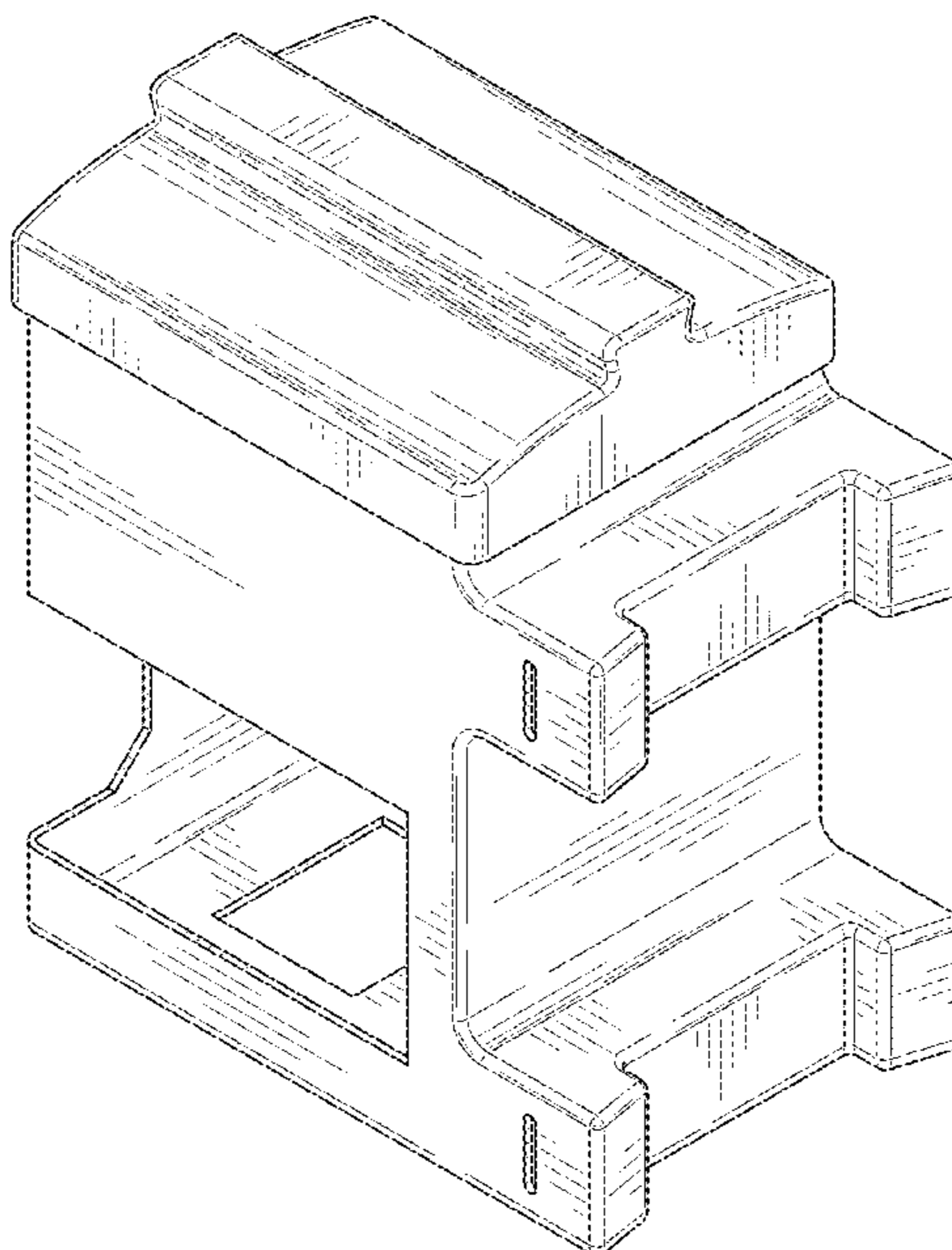
(57) **CLAIM**

The ornamental design for a mineral block holder, as shown and described.

DESCRIPTION

FIG. 1 is a perspective view for a mineral block holder, showing my new design;
FIG. 2 is a rear elevation view thereof;
FIG. 3 is a front elevation view thereof;
FIG. 4 is a right-side elevation view thereof;
FIG. 5 is a left-side elevation view thereof;
FIG. 6 is a top plan view thereof; and,
FIG. 7 is a bottom plan view thereof.

1 Claim, 5 Drawing Sheets



(56)

References Cited

OTHER PUBLICATIONS

“Capsule Brick Holder—Capsule Feeders.” Found online Jun. 14, 2022 at www.capsulefeeders.com. Page archived Mar. 7, 2021. Retrieved from URL: <https://web.archive.org/web/20210307015420/https://capsulefeeders.com/collections/products/products/capsule-brick-holder-1> (Year: 2021).*

“Capsule Feeder Block Holder.” Found online Jun. 14, 2022 at www.amazon.com. Product reviewed Apr. 27, 2021. Retrieved from URL: <https://www.amazon.com/Capsule-Feeders-Mineral-Attractant-Mounting/dp/B08SFWBG6K> (Year: 2021).*

“Capsule Feeders Brick Holder.” Found online Jun. 14, 2022 at www.amazon.com. No Verifiable Date. Retrieved from URL: <https://www.amazon.com/Capsule-Feeders-Mineral-Attractant-Mounting/dp/B08SFMJ4VY> (Year: 2022).*

“ASF All Seasons EZ Block Deer, Wildlife and Farm Animal Feeder.” Found online Jun. 14, 2022 at www.amazon.com. Product reviewed Feb. 4, 2020. Retrieved from URL: <https://www.amazon.com/All-Seasons-Wildlife-Animal-Feeder/dp/B07XYFMX43> (Year: 2020).*

“LBH Market Small Plastic 4lb Mineral Salt Block Holder.” Found online Jun. 14, 2022 at www.amazon.com. Product first available Jun. 11, 2019. Retrieved from URL: <https://www.amazon.com/LBH-Market-Plastic-Mineral-Fasteners/dp/B084BZSQPX> (Year: 2019).*

* cited by examiner

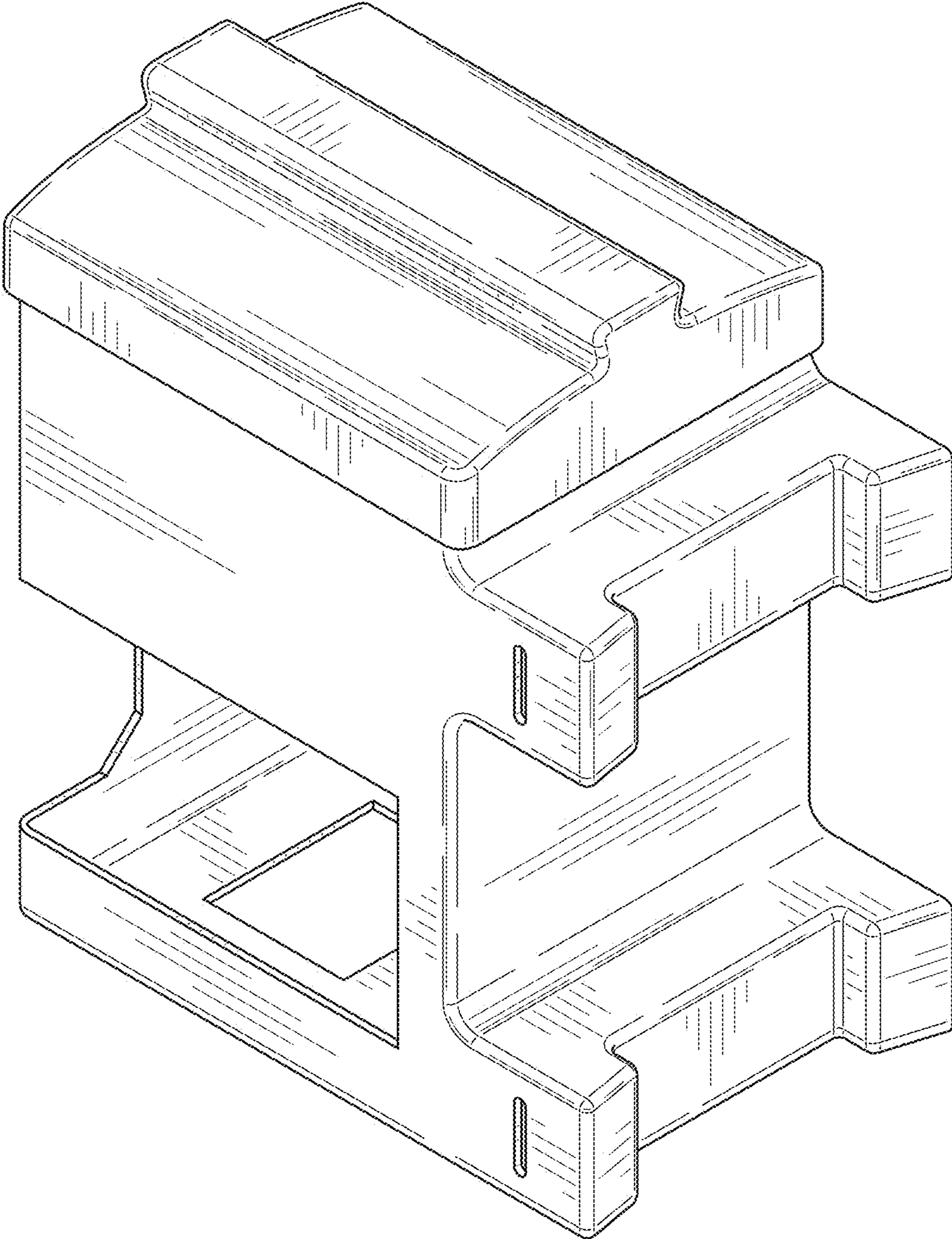


FIG. 1

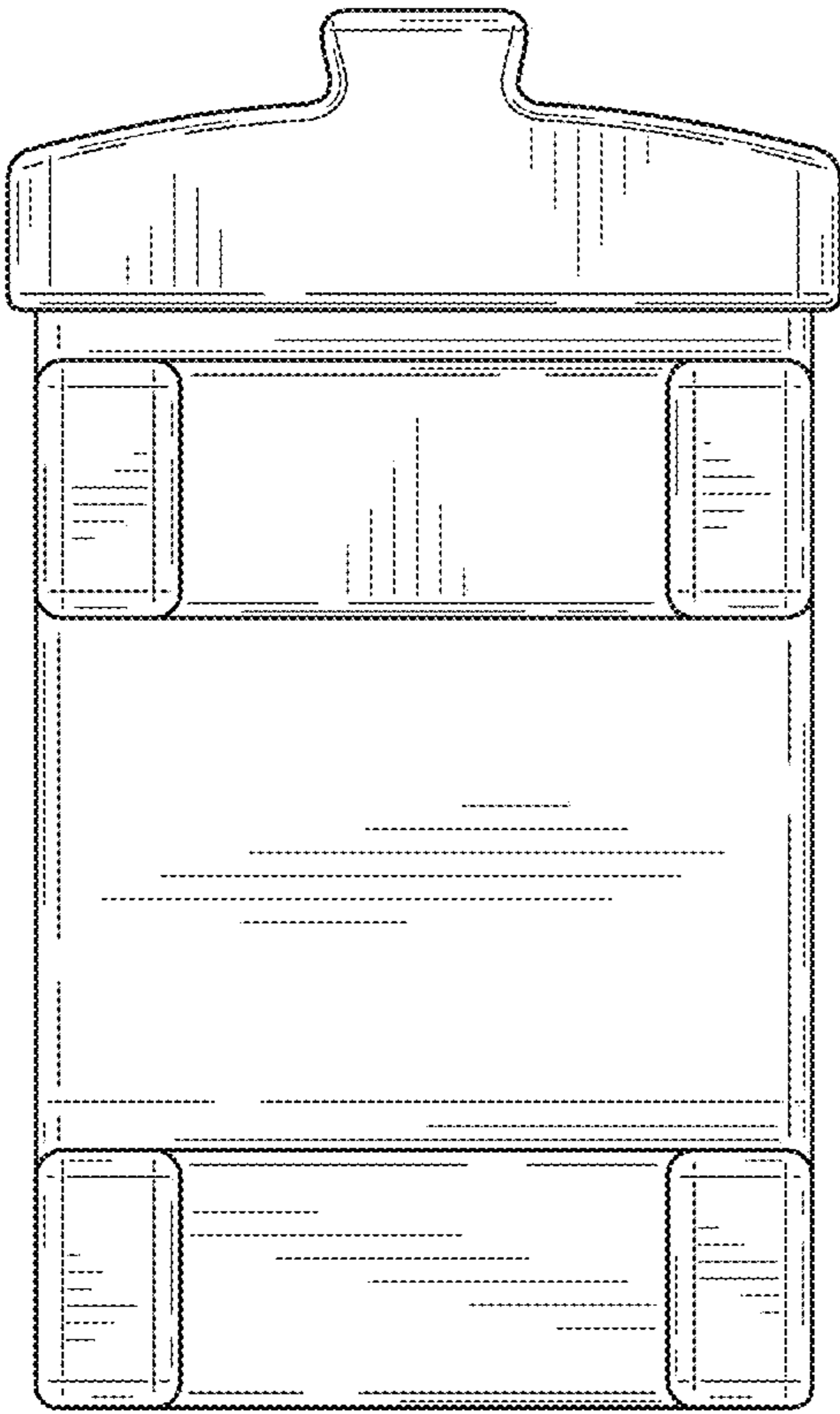


FIG. 2

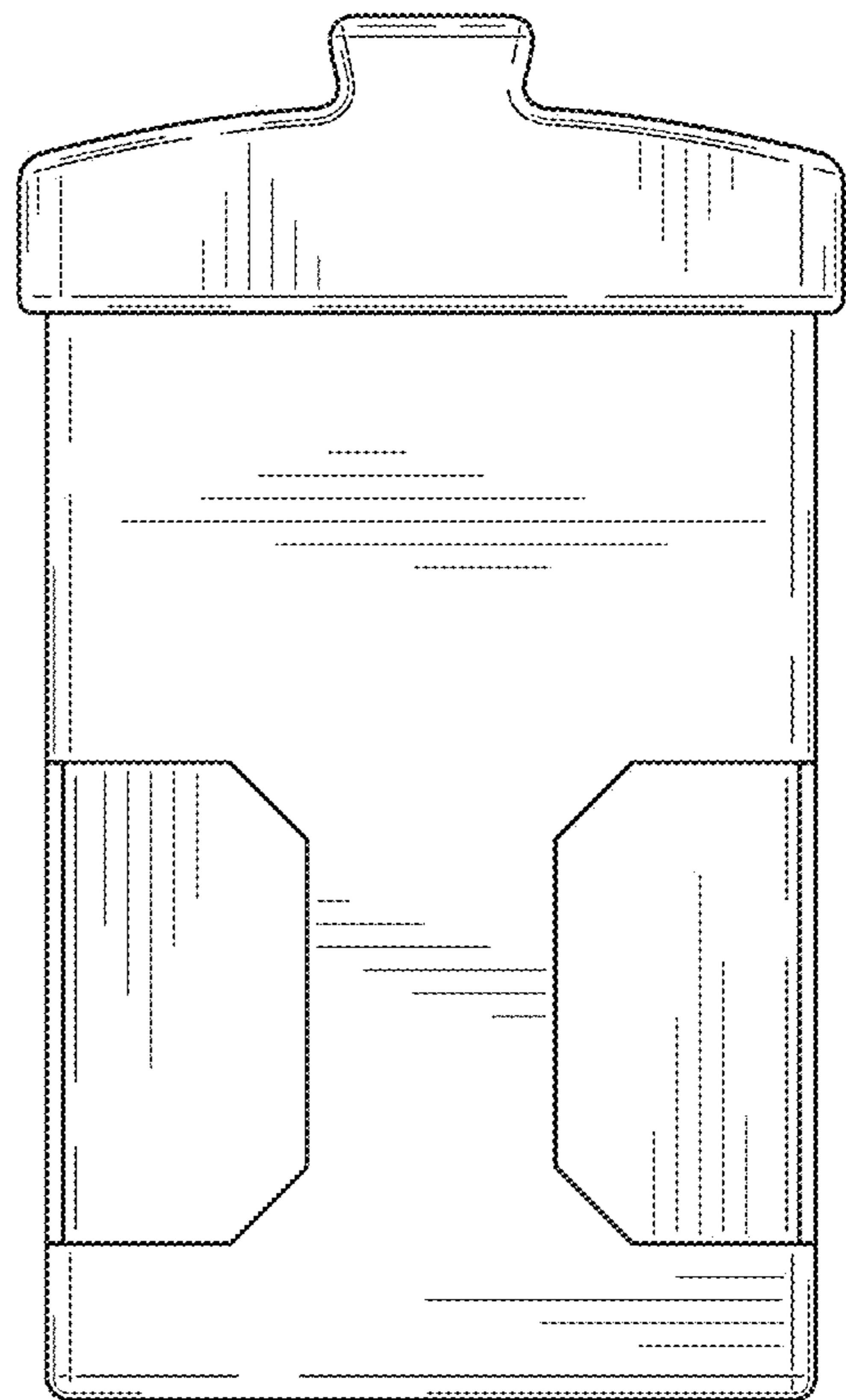


FIG. 3

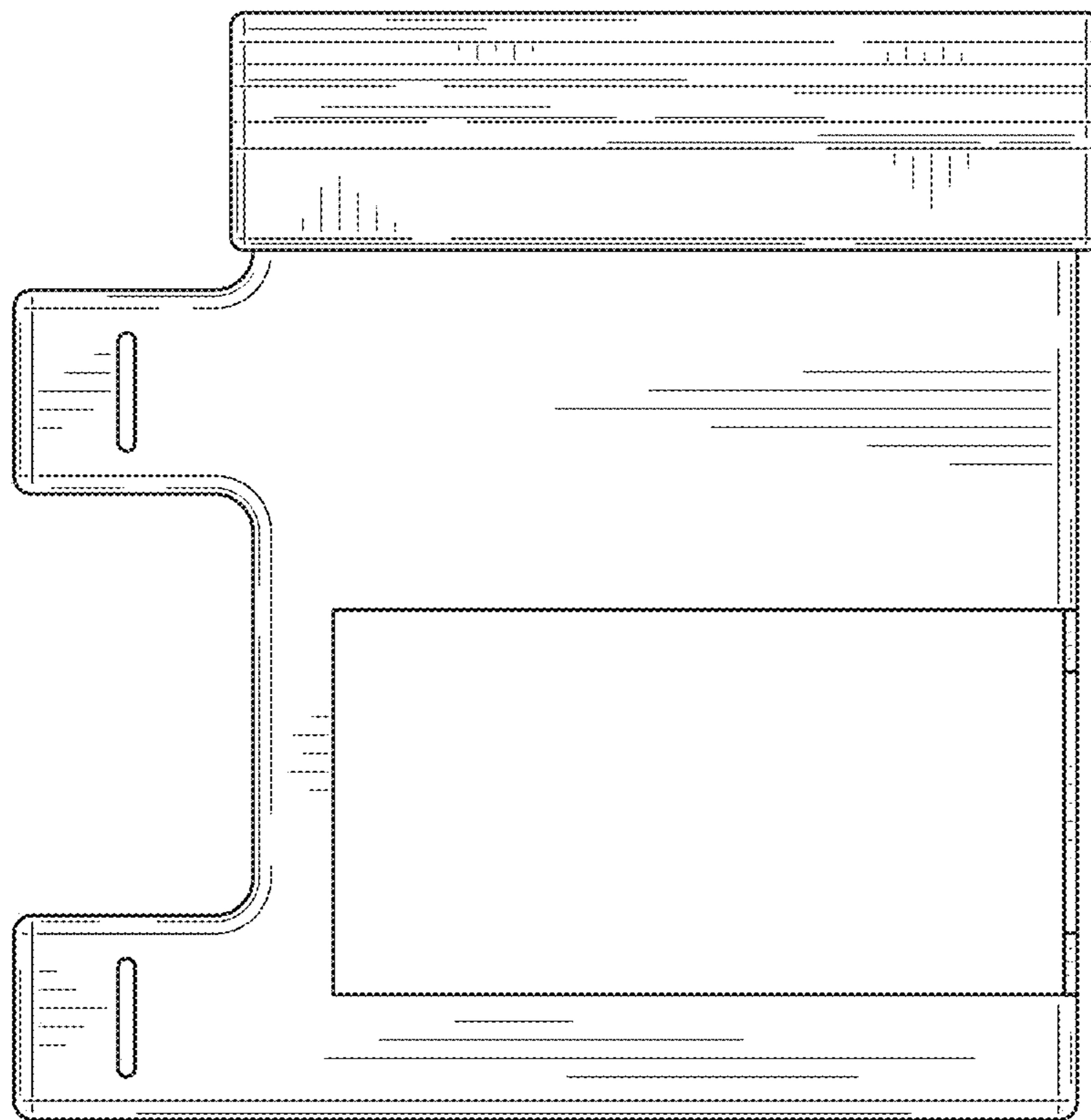


FIG. 4

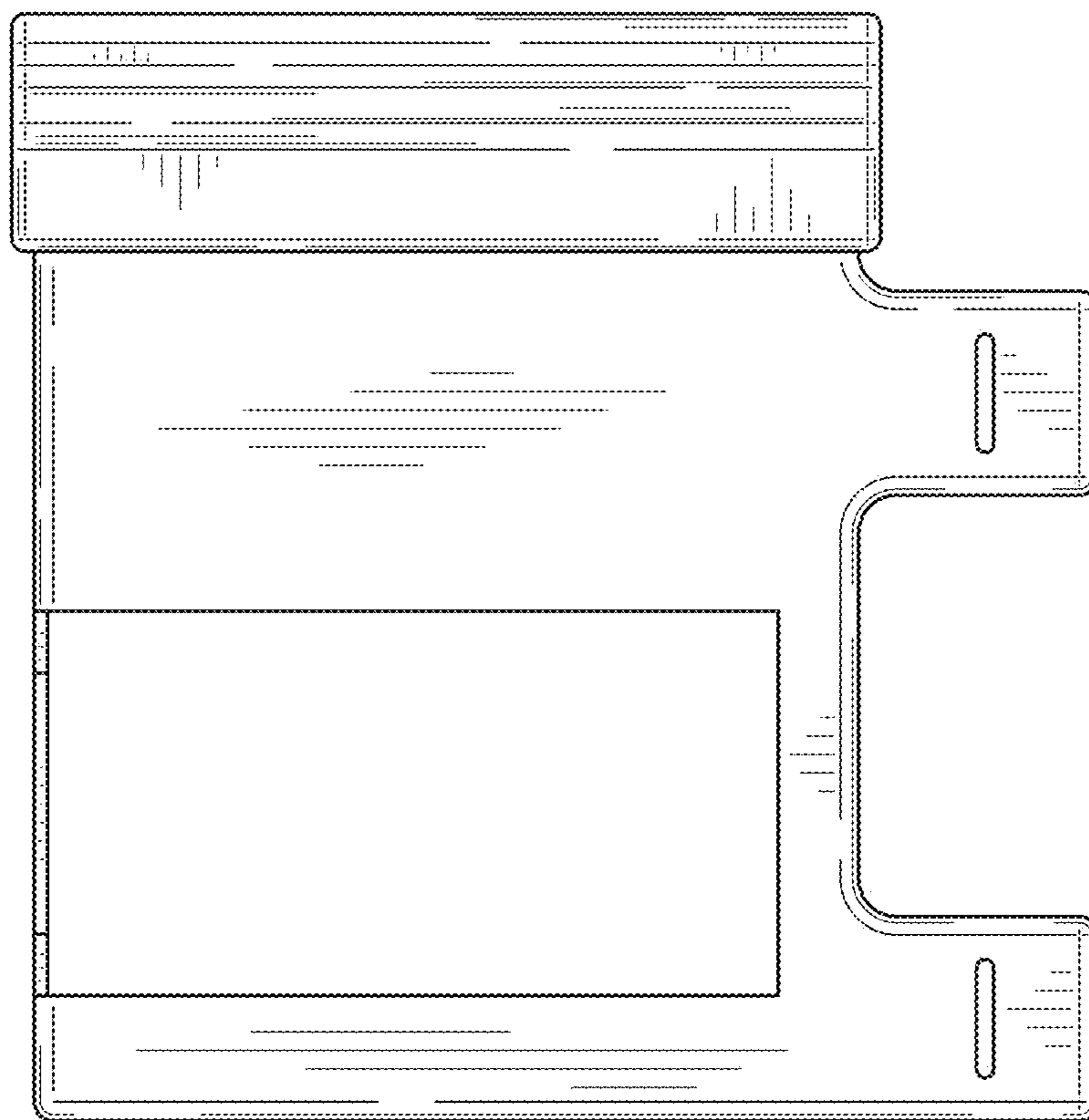


FIG. 5

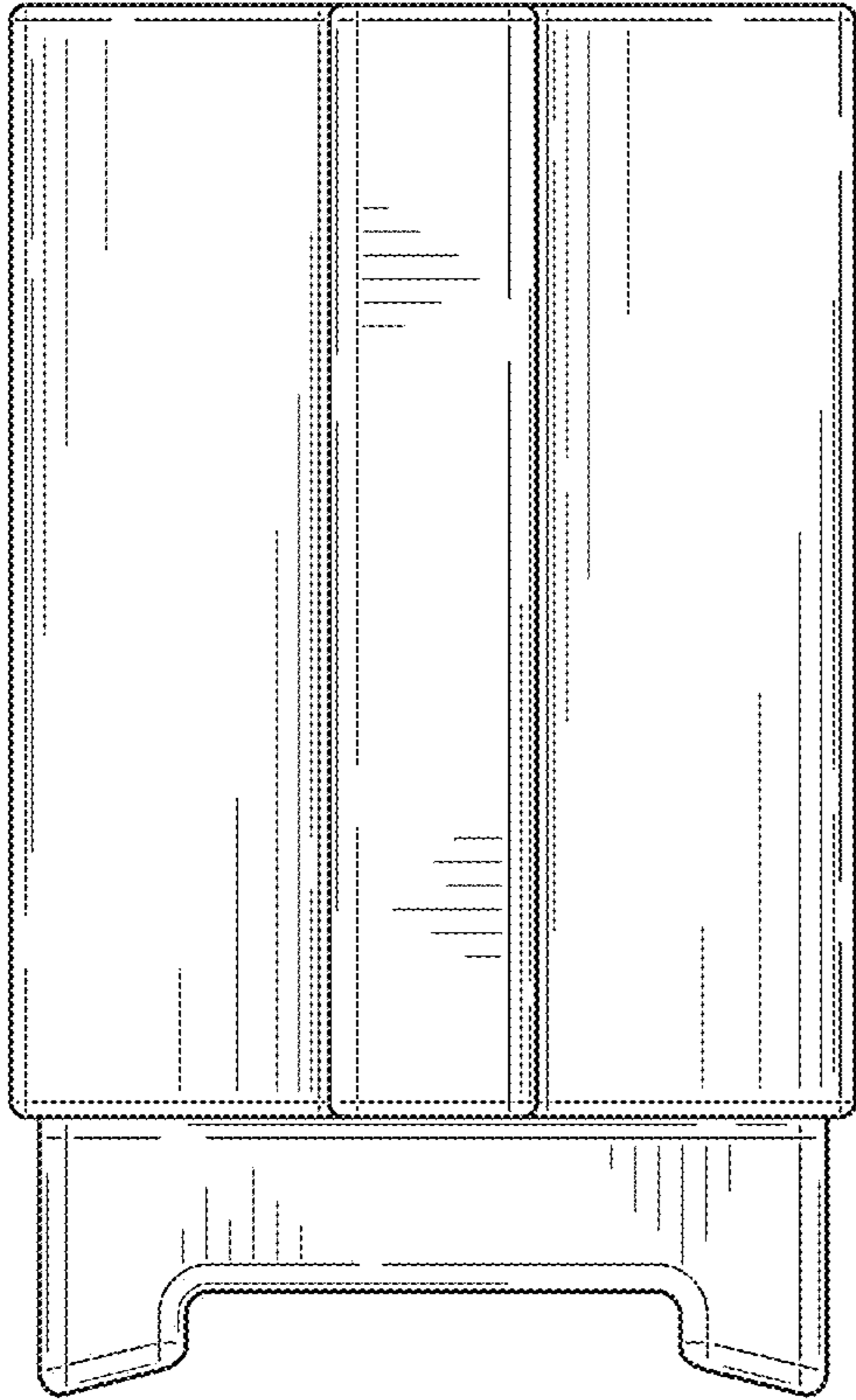


FIG. 6

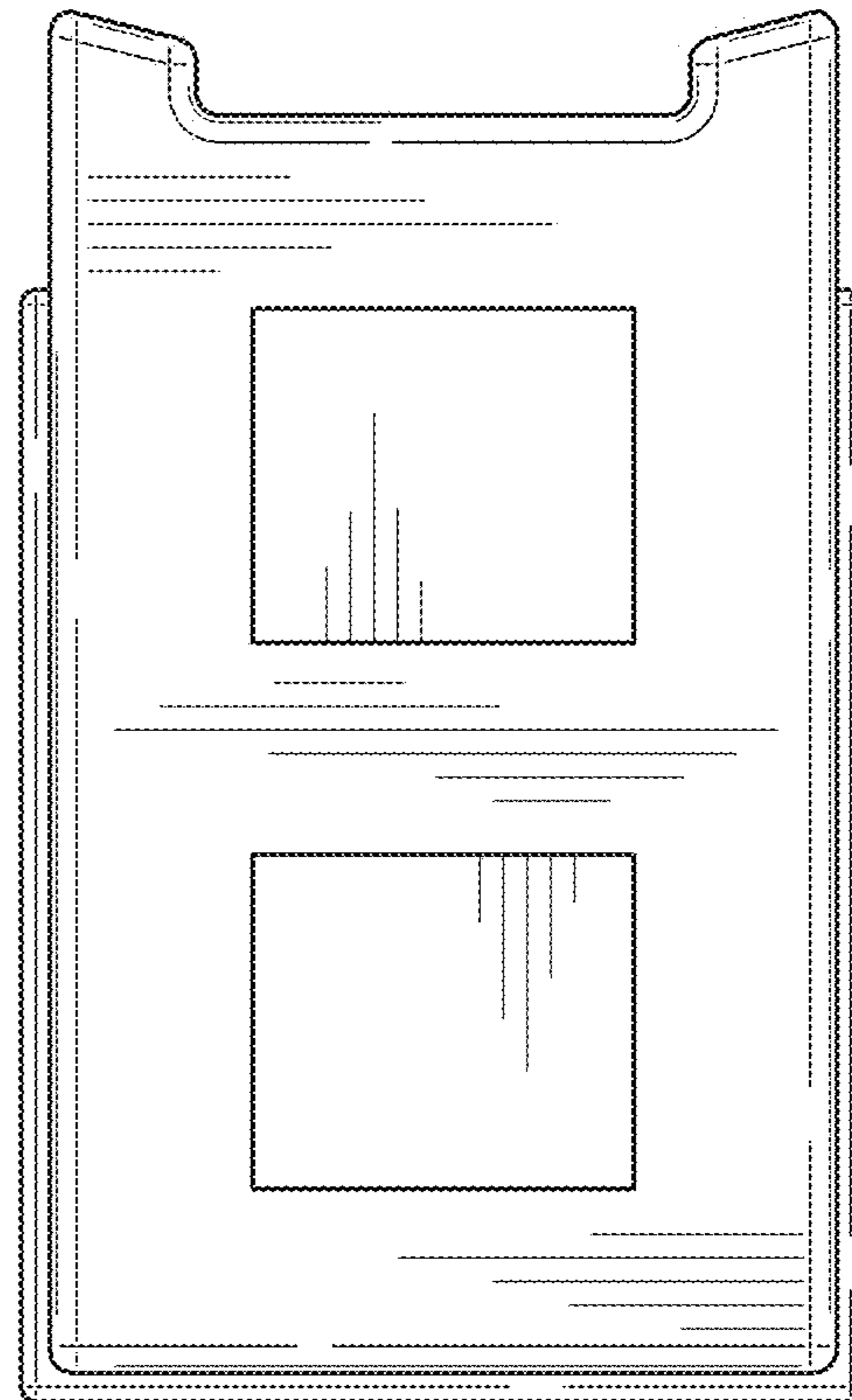


FIG. 7