

US00D967554S

(12) **United States Design Patent** (10) **Patent No.:** **US D967,554 S**
Reaser (45) **Date of Patent:** **** Oct. 18, 2022**

- (54) **MINERAL BRICK HOLDER**
- (71) Applicant: **Outdoor Product Innovations, Inc.**,
Elyria, OH (US)
- (72) Inventor: **Daniel B Reaser**, Elyria, OH (US)
- (73) Assignee: **Outdoor Product Innovations, Inc.**,
Elyria, OH (US)
- (**) Term: **15 Years**
- (21) Appl. No.: **29/745,819**
- (22) Filed: **Aug. 10, 2020**
- (51) **LOC (13) Cl.** **30-07**
- (52) **U.S. Cl.**
USPC **D30/121**
- (58) **Field of Classification Search**
USPC D30/119, 121, 133
CPC A01K 39/0106; A01K 5/015
See application file for complete search history.

- D720,895 S * 1/2015 Yates D30/121
- 9,380,761 B2 * 7/2016 Graves A01K 5/00
- D847,441 S * 4/2019 Landry D30/131
- D907,864 S * 1/2021 Schwartz D30/131
- D935,704 S * 11/2021 Zhang D30/124
- 2014/0295021 A1 * 10/2014 Bowles A01M 31/008
426/1
- 2015/0257414 A1 * 9/2015 Bowles A23K 10/40
426/1

OTHER PUBLICATIONS

“Capsule Block Holder—Capsule Feeders.” Found online Jun. 14, 2022 at www.capsulefeeders.com. Page archived Nov. 30, 2020. Retrieved from URL: <https://web.archive.org/web/20201130005323/https://capsulefeeders.com/collections/products/products/capsule-block-holder> (Year: 2020).*

(Continued)

Primary Examiner — Mary Ann Calabrese
Assistant Examiner — Katelin G Kloberg
(74) *Attorney, Agent, or Firm* — McCarthy, Lebit, Crystal & Liffman Co., L.P.A.

(56) **References Cited**

U.S. PATENT DOCUMENTS

- 2,267,062 A * 12/1941 Walter A01K 5/015
119/51.03
- 2,709,985 A * 6/1955 Clauson A01K 5/015
119/51.03
- D211,845 S * 8/1968 Bailey D1/100
- 4,156,119 A * 5/1979 Matthews H01H 15/02
200/51.06
- 4,602,757 A * 7/1986 Signorelli A01K 39/0106
248/309.2
- 5,195,458 A * 3/1993 Black A01K 5/015
119/51.03
- 5,553,416 A * 9/1996 Jasso, Jr. A01G 7/06
248/505
- D397,527 S * 8/1998 Bruder D30/121
- D716,002 S * 10/2014 Greenan D7/629

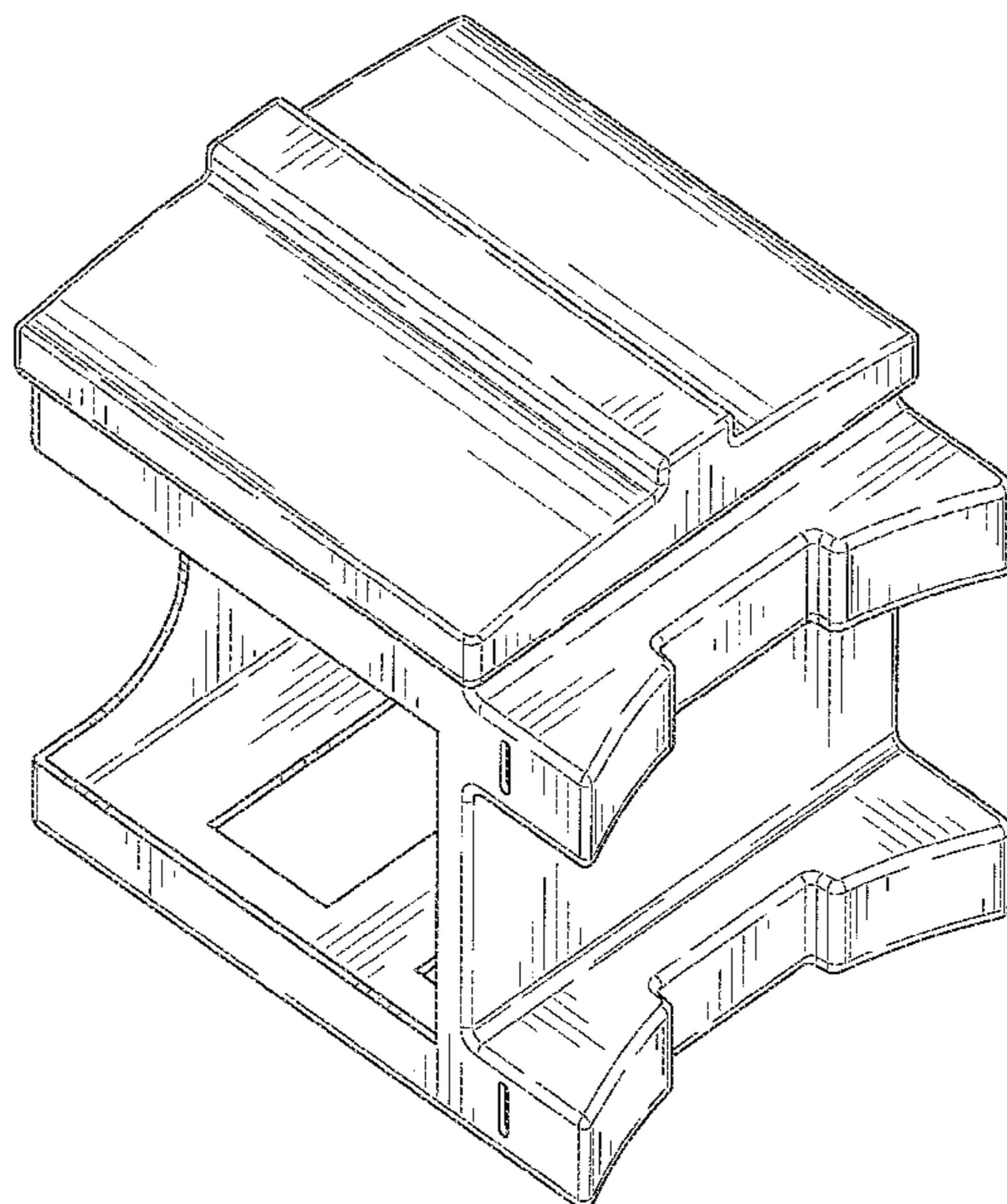
(57) **CLAIM**

The ornamental design for a mineral brick holder, as shown and described.

DESCRIPTION

FIG. 1 is a perspective view for a mineral brick holder, showing my new design;
FIG. 2 is a rear elevation view thereof;
FIG. 3 is a front elevation view thereof;
FIG. 4 is a right-side elevation view thereof;
FIG. 5 is a left-side elevation view thereof;
FIG. 6 is a top plan view thereof; and,
FIG. 7 is a bottom plan view thereof.

1 Claim, 5 Drawing Sheets



(56)

References Cited

OTHER PUBLICATIONS

“Capsule Brick Holder—Capsule Feeders.” Found online Jun. 14, 2022 at www.capsulefeeders.com. Page archived Mar. 7, 2021. Retrieved from URL: <https://web.archive.org/web/20210307015420/https://capsulefeeders.com/collections/products/products/capsule-brick-holder-1> (Year: 2021).*

“Capsule Feeder Block Holder.” Found online Jun. 14, 2022 at www.amazon.com. Product reviewed Apr. 27, 2021. Retrieved from URL: <https://www.amazon.com/Capsule-Feeders-Mineral-Attractant-Mounting/dp/B08SFWBG6K> (Year: 2021).*

“Capsule Feeders Brick Holder.” Found online Jun. 14, 2022 at www.amazon.com. No Verifiable Date. Retrieved from URL: <https://www.amazon.com/Capsule-Feeders-Mineral-Attractant-Mounting/dp/B08SFMJ4VY> (Year: 2022).*

“ASF All Seasons EZ Block Deer, Wildlife and Farm Animal Feeder.” Found online Jun. 14, 2022 at www.amazon.com. Product reviewed Feb. 4, 2020. Retrieved from URL: <https://www.amazon.com/All-Seasons-Wildlife-Animal-Feeder/dp/B07XYFMX43> (Year: 2020).*

“LBH Market Small Plastic 4lb Mineral Salt Block Holder.” Found online Jun. 14, 2022 at www.amazon.com. Product first available Jun. 11, 2019. Retrieved from URL: <https://www.amazon.com/LBH-Market-Plastic-Mineral-Fasteners/dp/B084BZSQPX> (Year: 2019).*

* cited by examiner

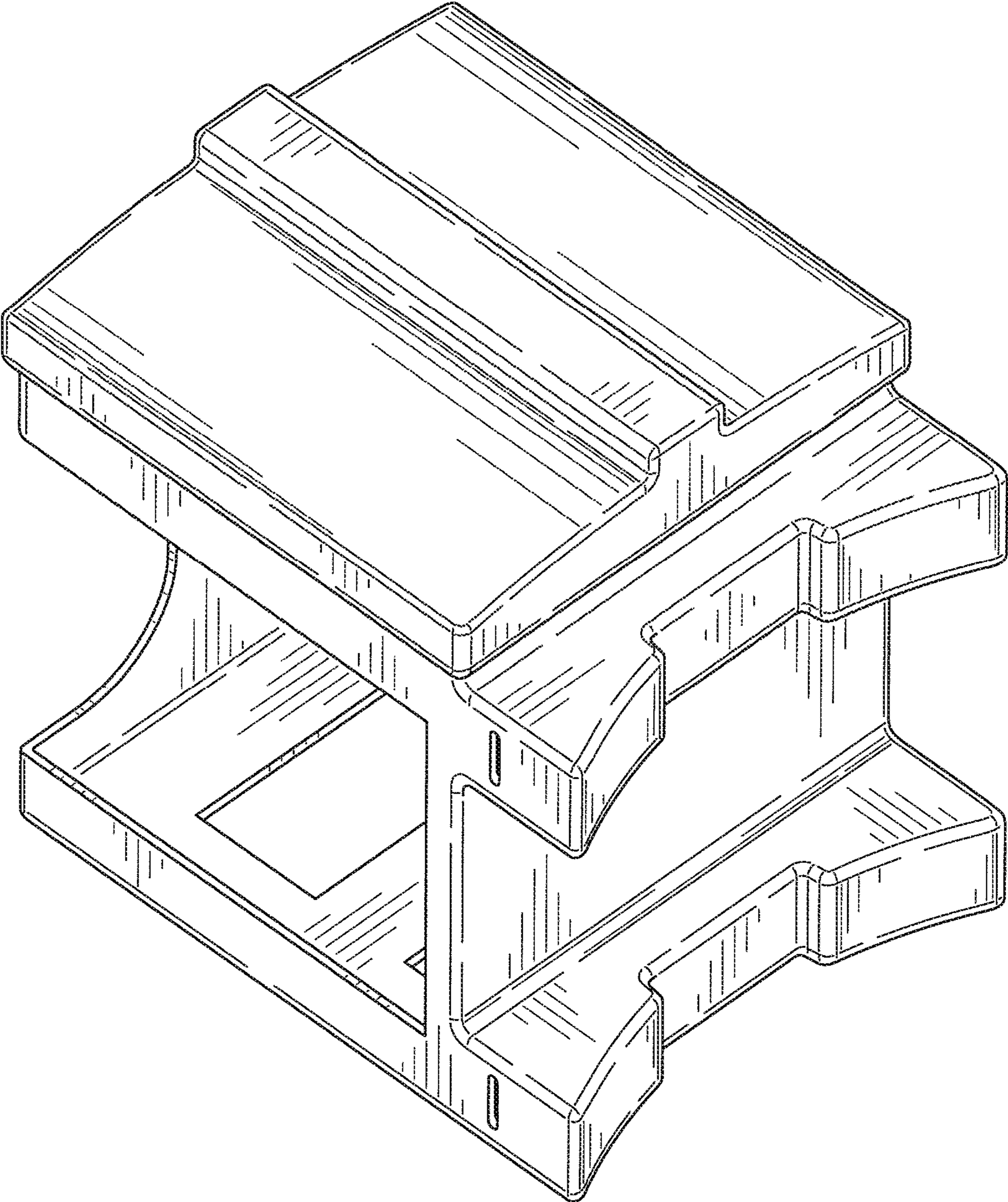


FIG. 1

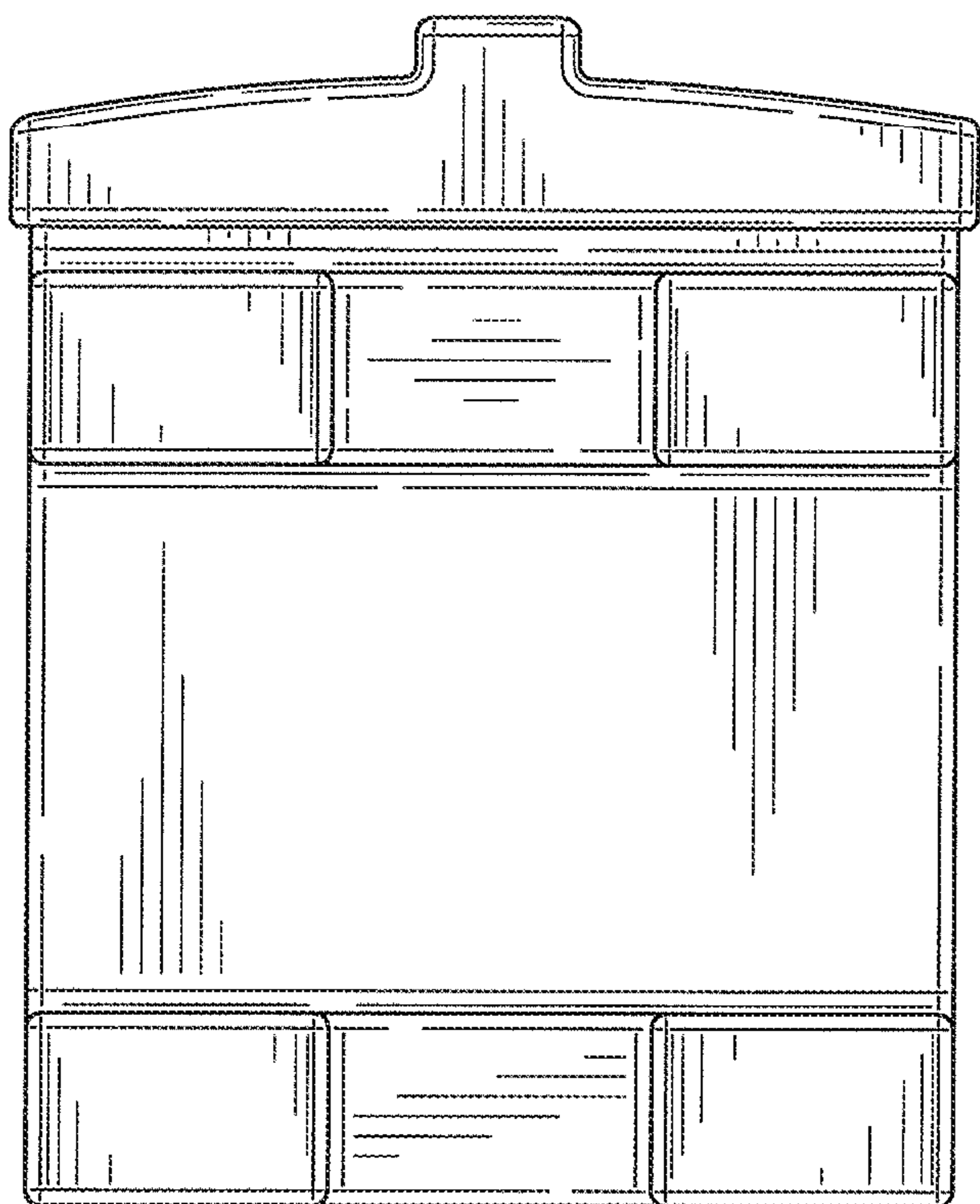


FIG. 2

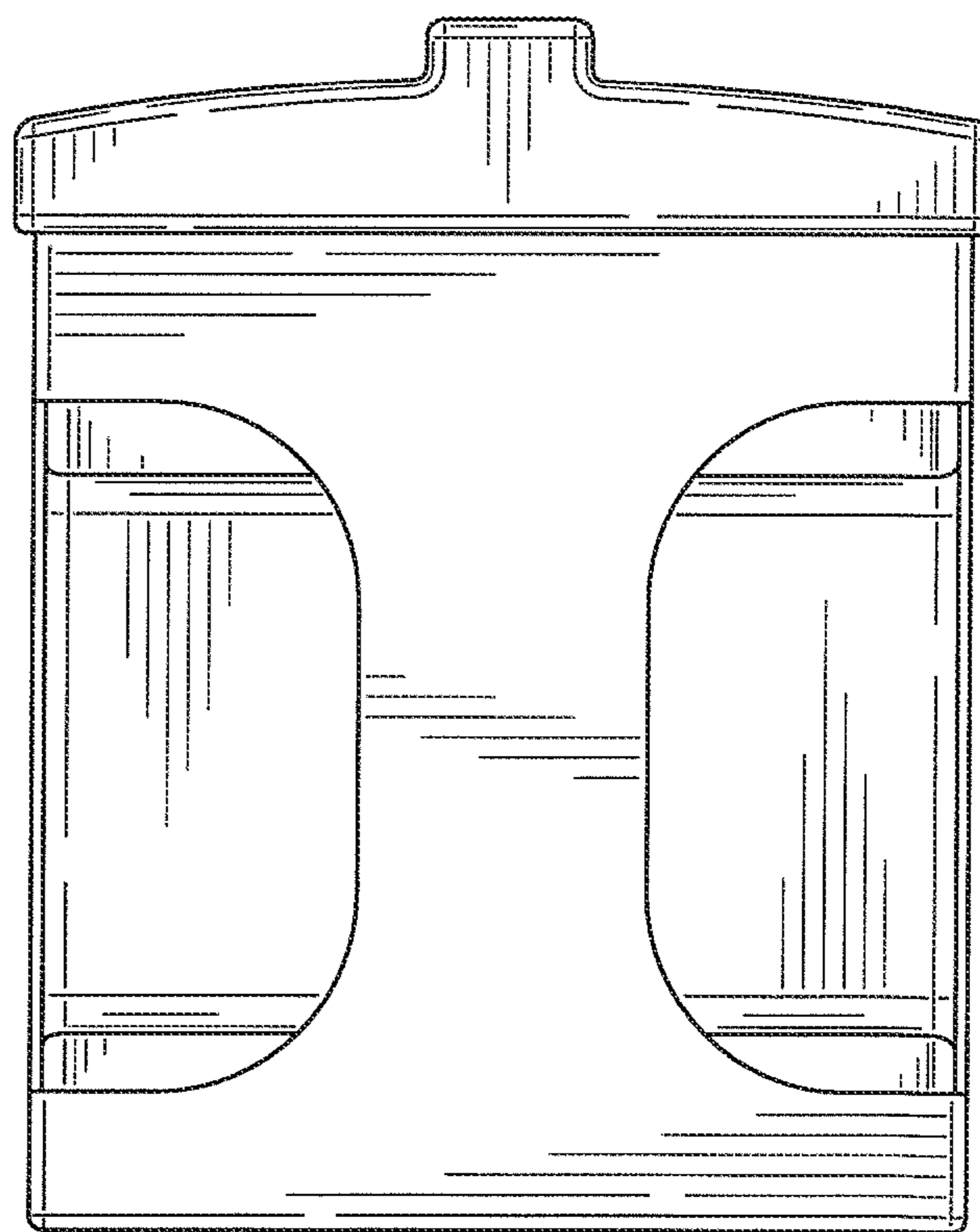


FIG. 3

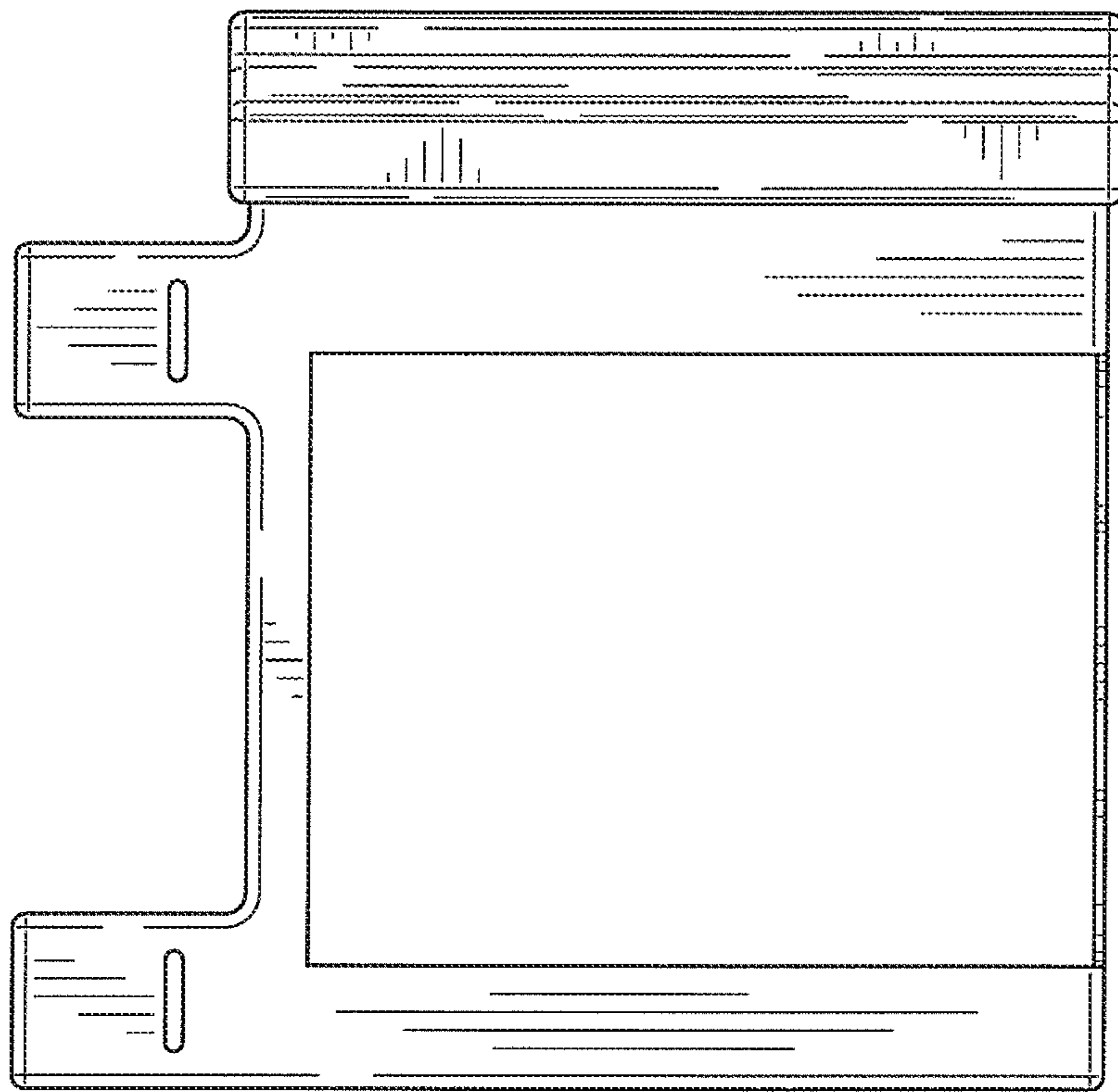


FIG. 4

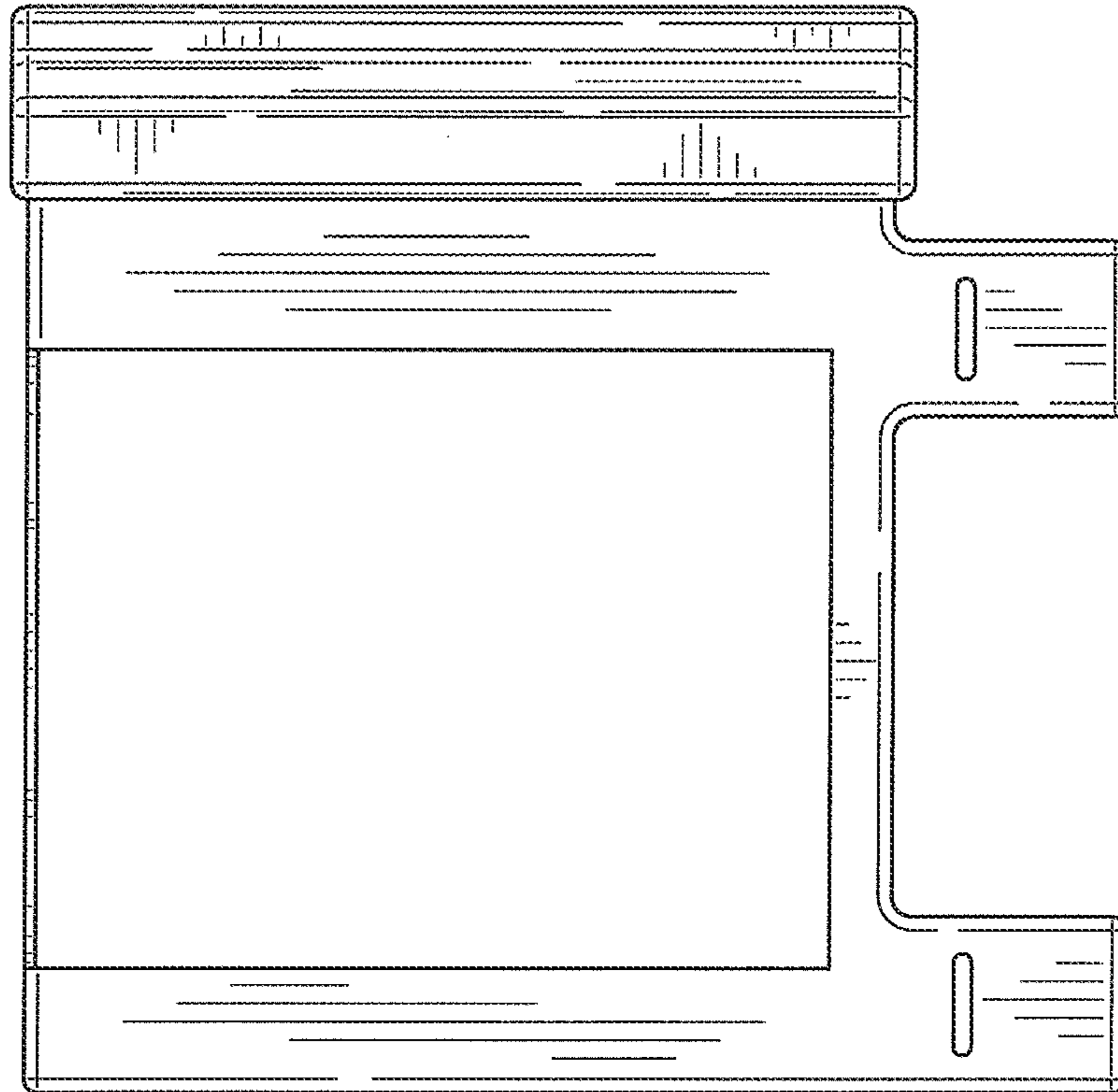


FIG. 5

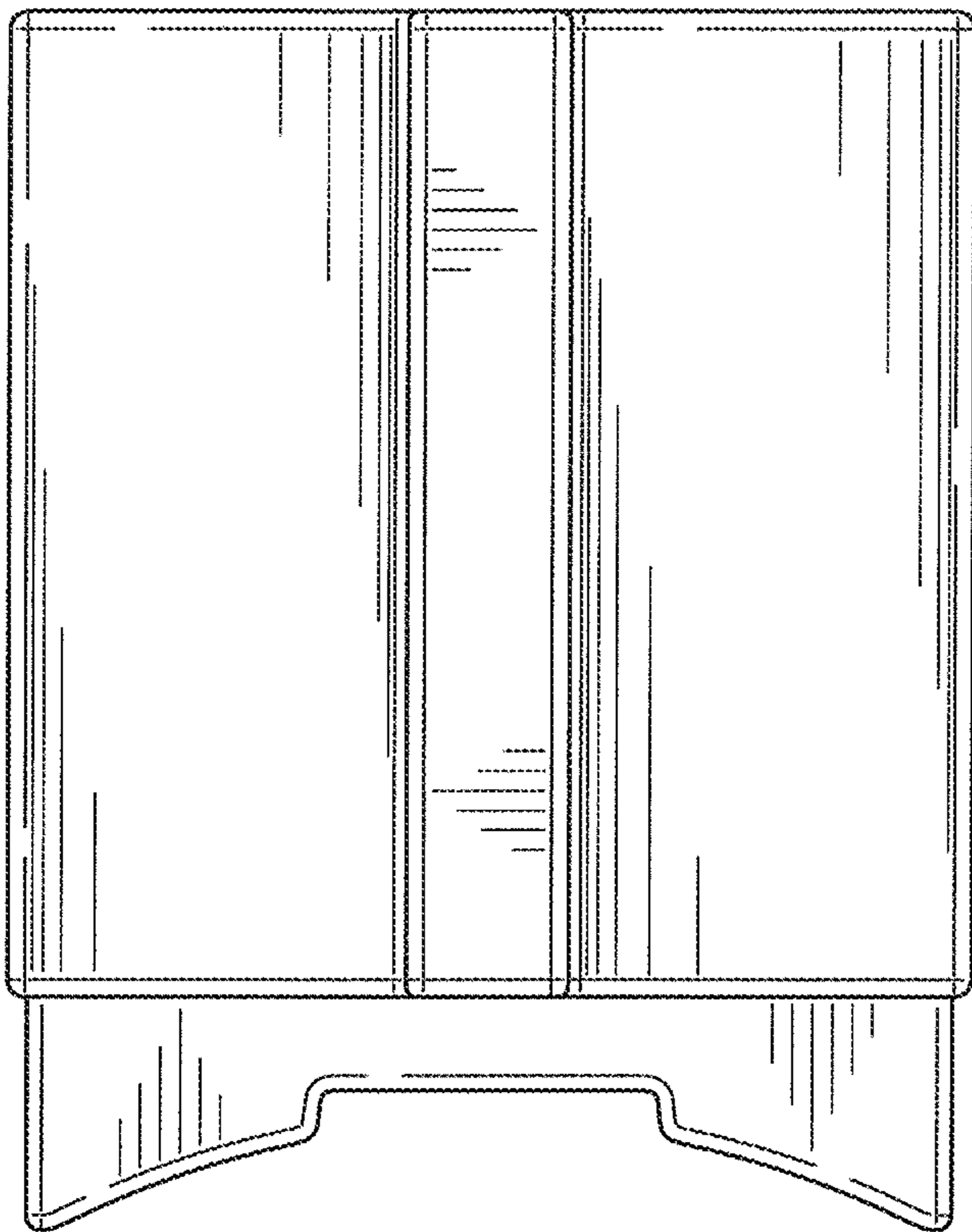


FIG. 6

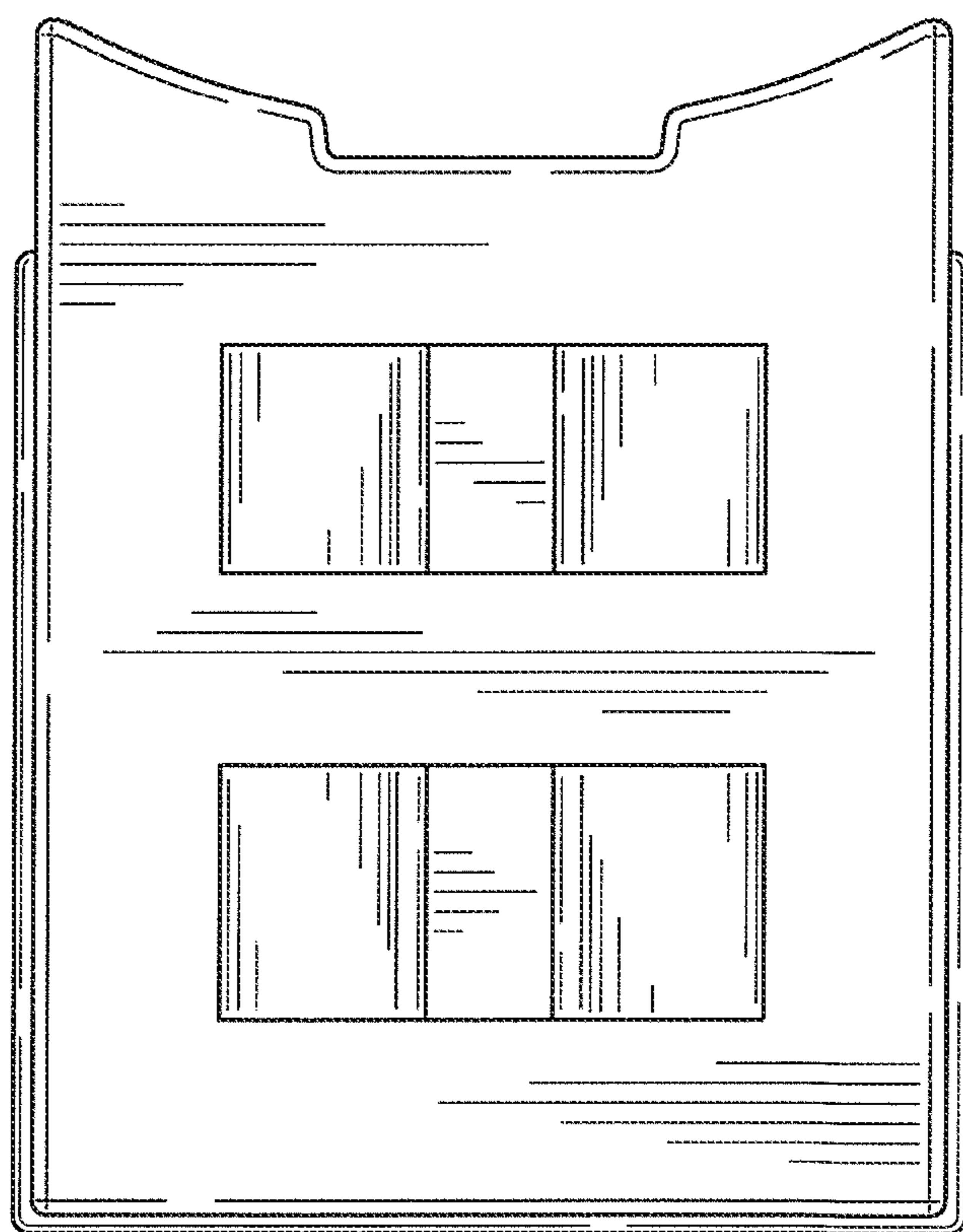


FIG. 7