



US00D967552S

(12) **United States Design Patent** (10) **Patent No.:** **US D967,552 S**
Valdez et al. (45) **Date of Patent:** **** Oct. 18, 2022**

(54) **DOG CRATE**

FOREIGN PATENT DOCUMENTS

(71) Applicants: **Ryan Patrick Valdez**, Napa, CA (US);
Riley Robbins, Drytown, CA (US)

CN 300704188 * 10/2007

(72) Inventors: **Ryan Patrick Valdez**, Napa, CA (US);
Riley Robbins, Drytown, CA (US)

OTHER PUBLICATIONS

(**) Term: **15 Years**

Petmate Sky Kennel Pet Carrier, available in Amazon.com, date first available Jun. 10, 2010 [online], [site visited Feb. 16, 2022], Available from the internet URL: https://www.amazon.com/dp/B00AAPGA2W/ref=cm_sw_em_r_mt_dp_ABC2KK1NA9GC3DBMBS0A?th=1 (Year: 2010).*

(21) Appl. No.: **29/652,448**

* cited by examiner

(22) Filed: **Aug. 17, 2020**

(51) **LOC (13) Cl.** **30-02**

(52) **U.S. Cl.**

USPC **D30/108**

(58) **Field of Classification Search**

USPC D6/663; D30/108, 109, 110, 111, 112,
D30/113, 114, 115, 116, 117, 118, 119,
D30/120, 160, 161

CPC .. A01K 1/0107; A01K 1/0236; A01K 1/0272;
A01K 1/029; A01K 1/033; A01K 1/034;
A01K 1/035; A01K 1/0035; A01K 31/06;
A01K 31/07; A01K 31/08

See application file for complete search history.

Primary Examiner — Jennifer L Rempfer
Assistant Examiner — Elizabeth Anne Glassberg
(74) *Attorney, Agent, or Firm* — Squire Patent Consulting
& IP Law LLC; Brendan E. Squire

(57) **CLAIM**

The ornamental design for a dog crate, as shown and described.

(56) **References Cited**

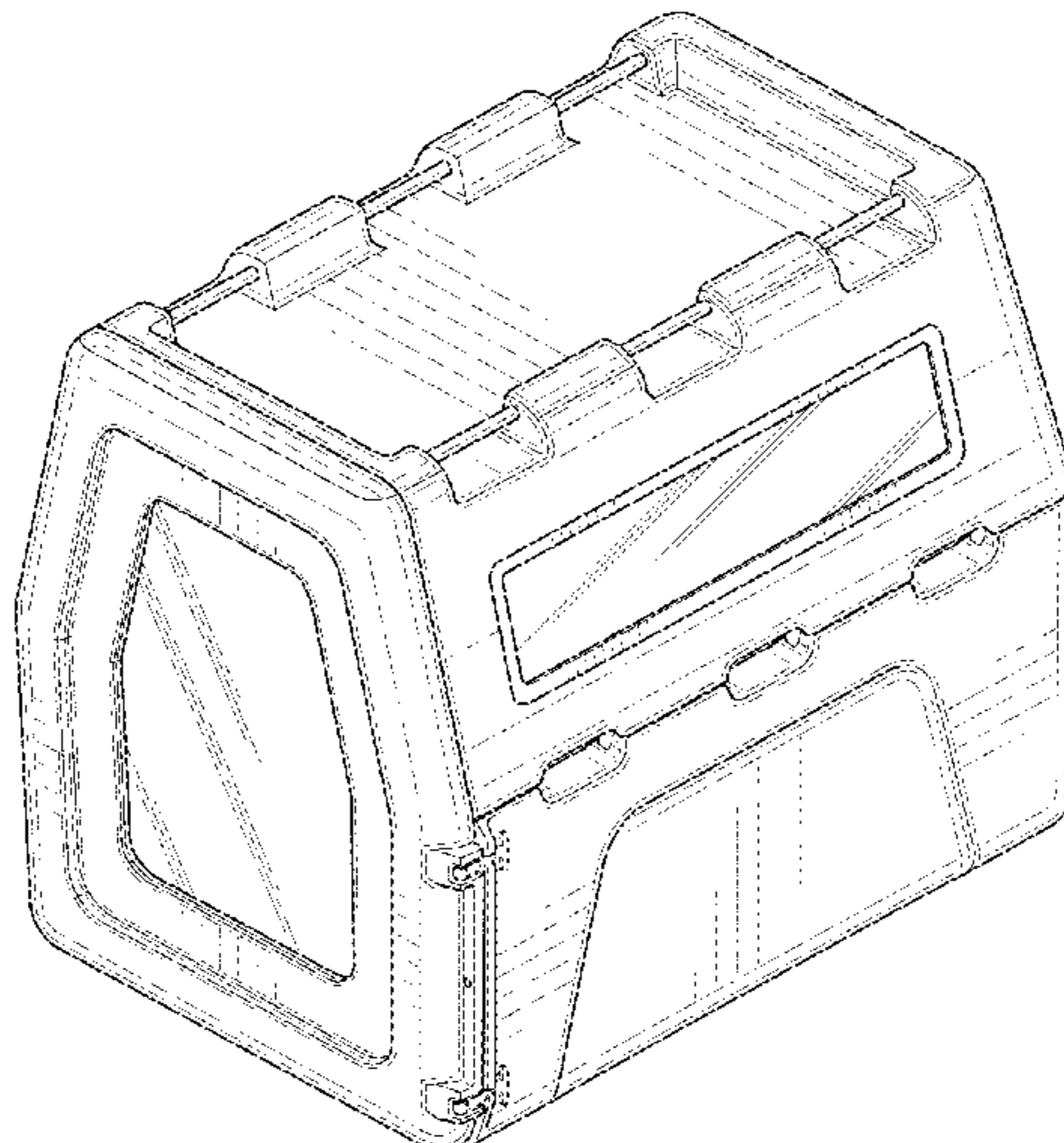
U.S. PATENT DOCUMENTS

D214,566 S * 7/1969 Swinney D30/109
3,490,417 A * 1/1970 Swinney A01K 1/0245
206/508
D364,712 S * 11/1995 Murphy D30/108
D445,222 S * 7/2001 Ross D30/108
D546,005 S * 7/2007 Harper D30/108
D555,292 S * 11/2007 Harper D30/108
D615,251 S * 5/2010 Scherbing D30/109
D671,691 S * 11/2012 Neilan D30/108
D760,447 S * 6/2016 Edmonds D30/109
D768,941 S * 10/2016 Edmonds D30/109
2002/0092477 A1 * 7/2002 Ross A01K 1/0245
119/496
2010/0192870 A1 * 8/2010 Wood A01K 1/0245
29/428
2015/0034018 A1 * 2/2015 Edmonds A01K 1/0245
119/496

DESCRIPTION

FIG. 1 is a perspective view of the dog crate showing our new design.
FIG. 2 is a front elevation view thereof.
FIG. 3 is a rear elevation view the dog crate.
FIG. 4 is a left side elevation view thereof.
FIG. 5 is a right side elevation view thereof.
FIG. 6 is a top plan view thereof.
FIG. 7 is a bottom plan view thereof.
FIG. 8 is an exploded perspective view thereof; and,
FIG. 9 is an exploded perspective view of a second embodiment thereof.
The broken lines shown in the drawings illustrate portions the dog crate that form no part of the claimed design.

1 Claim, 9 Drawing Sheets



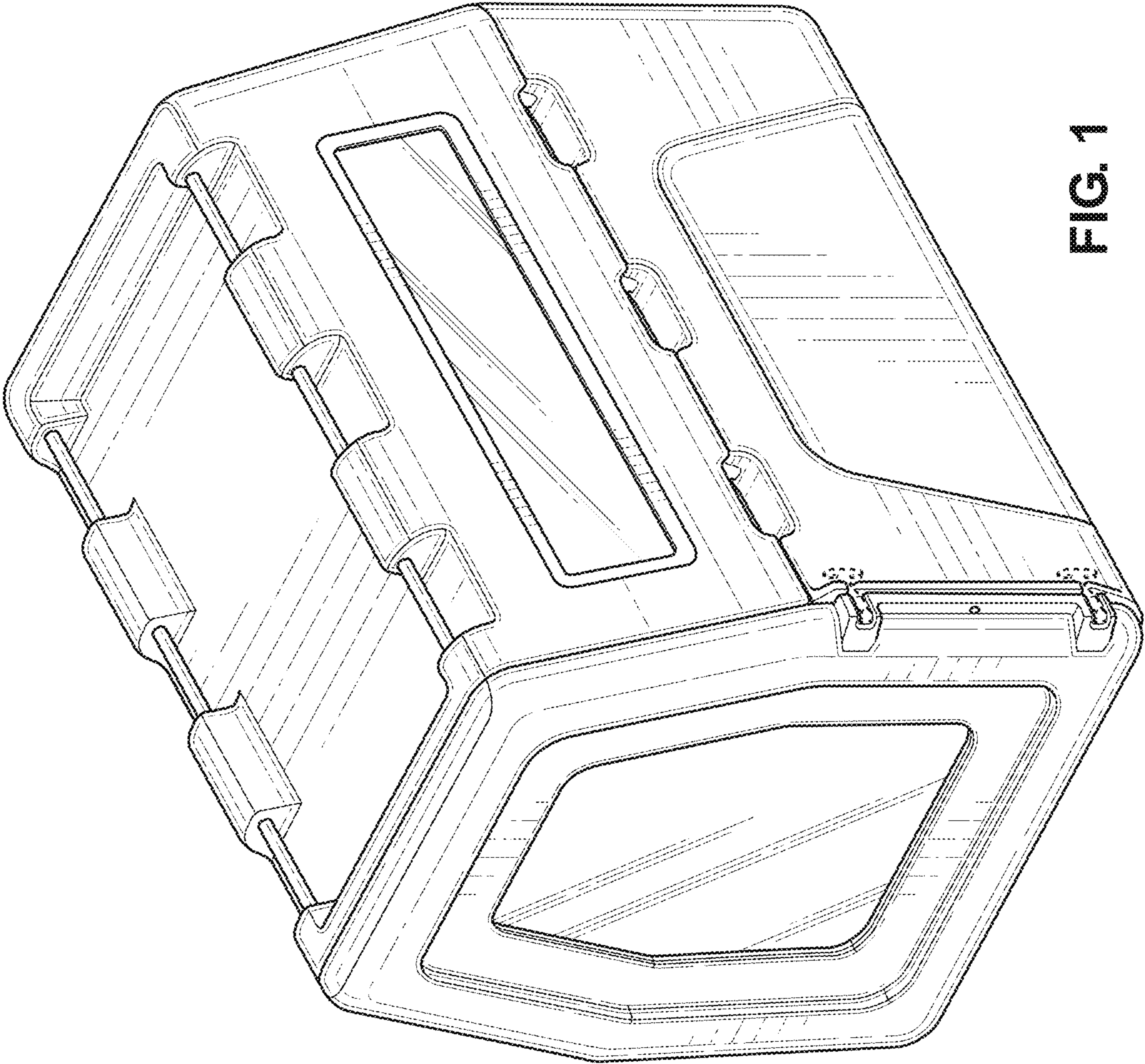


FIG. 1

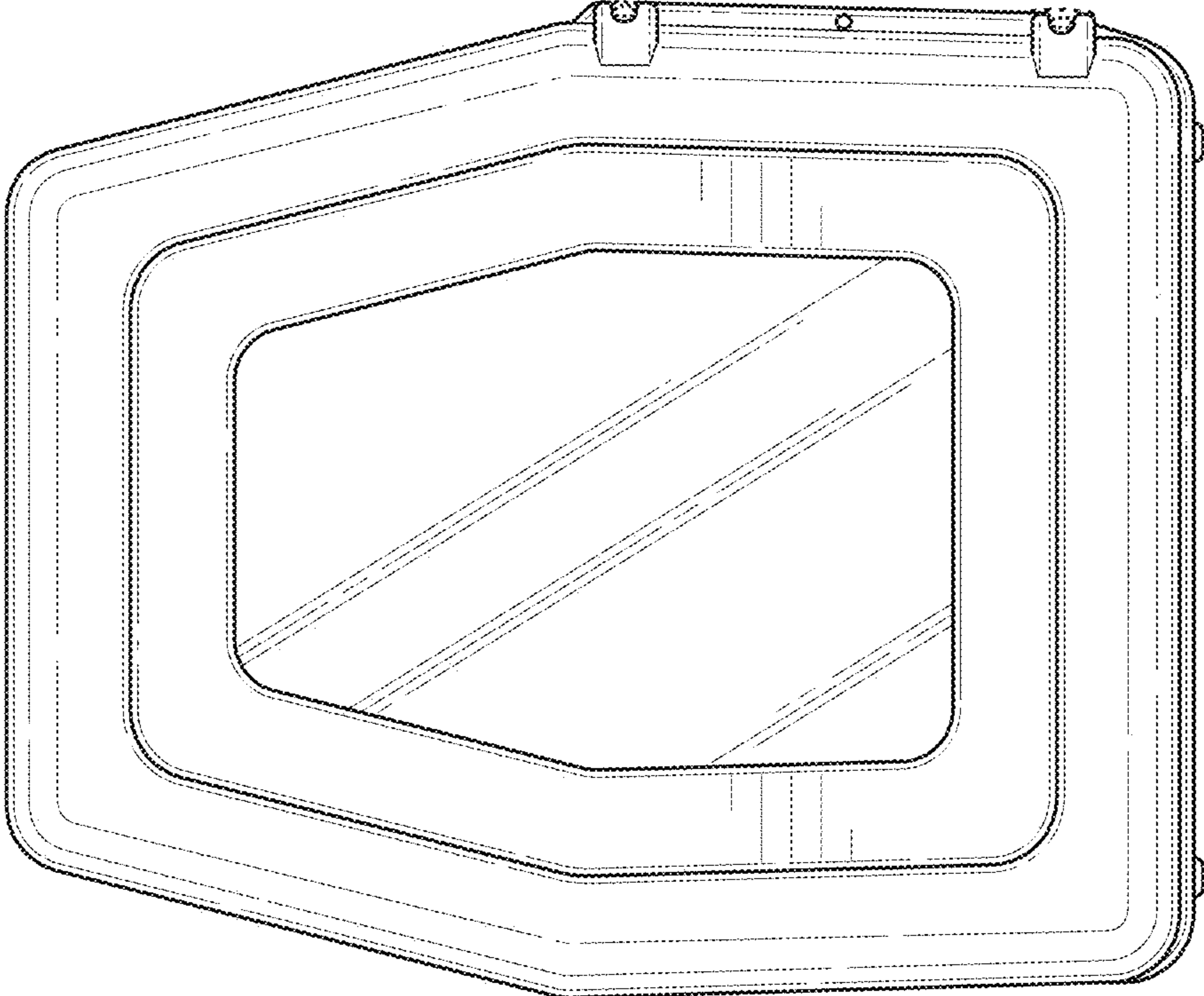


FIG. 2

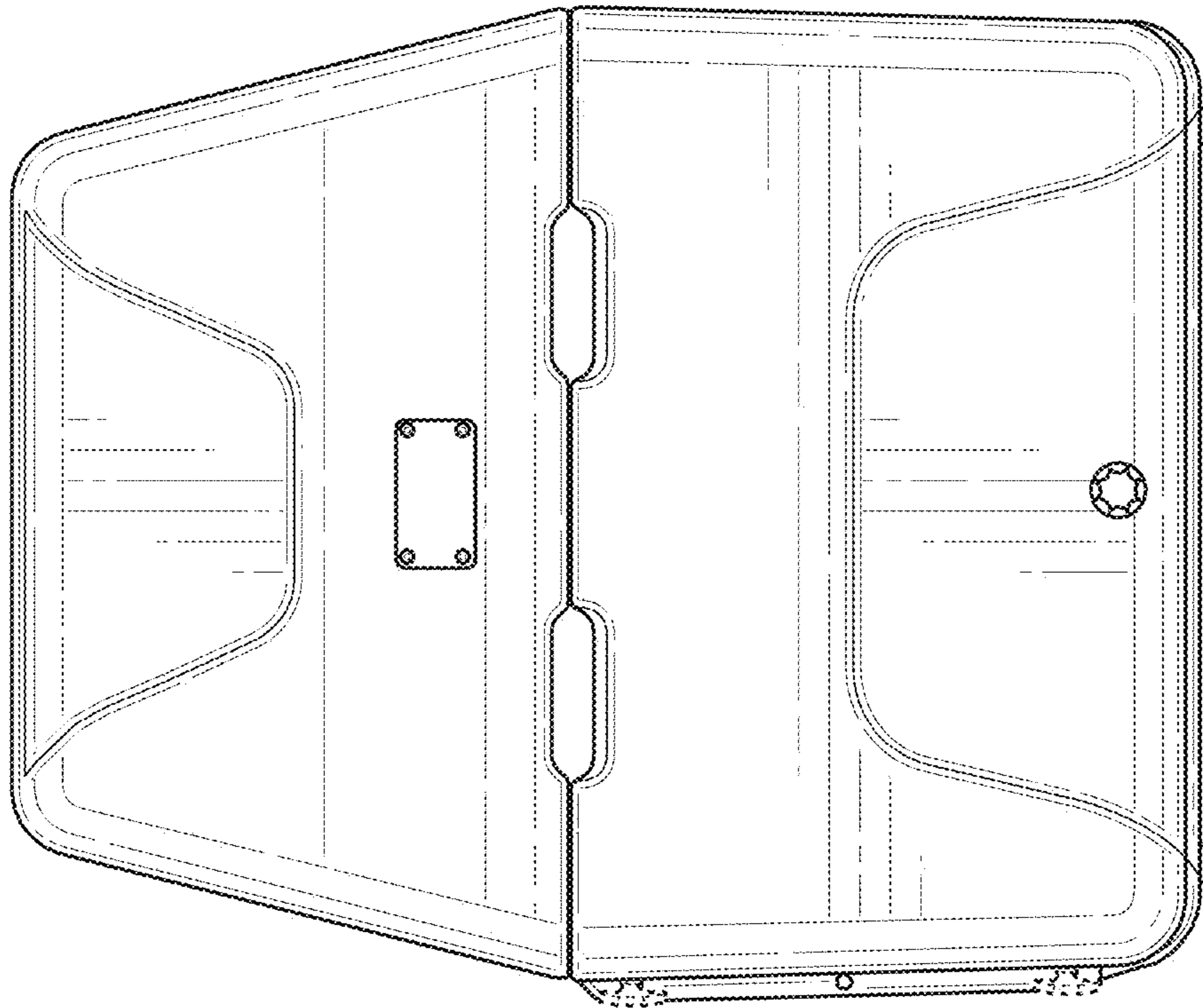


FIG. 3

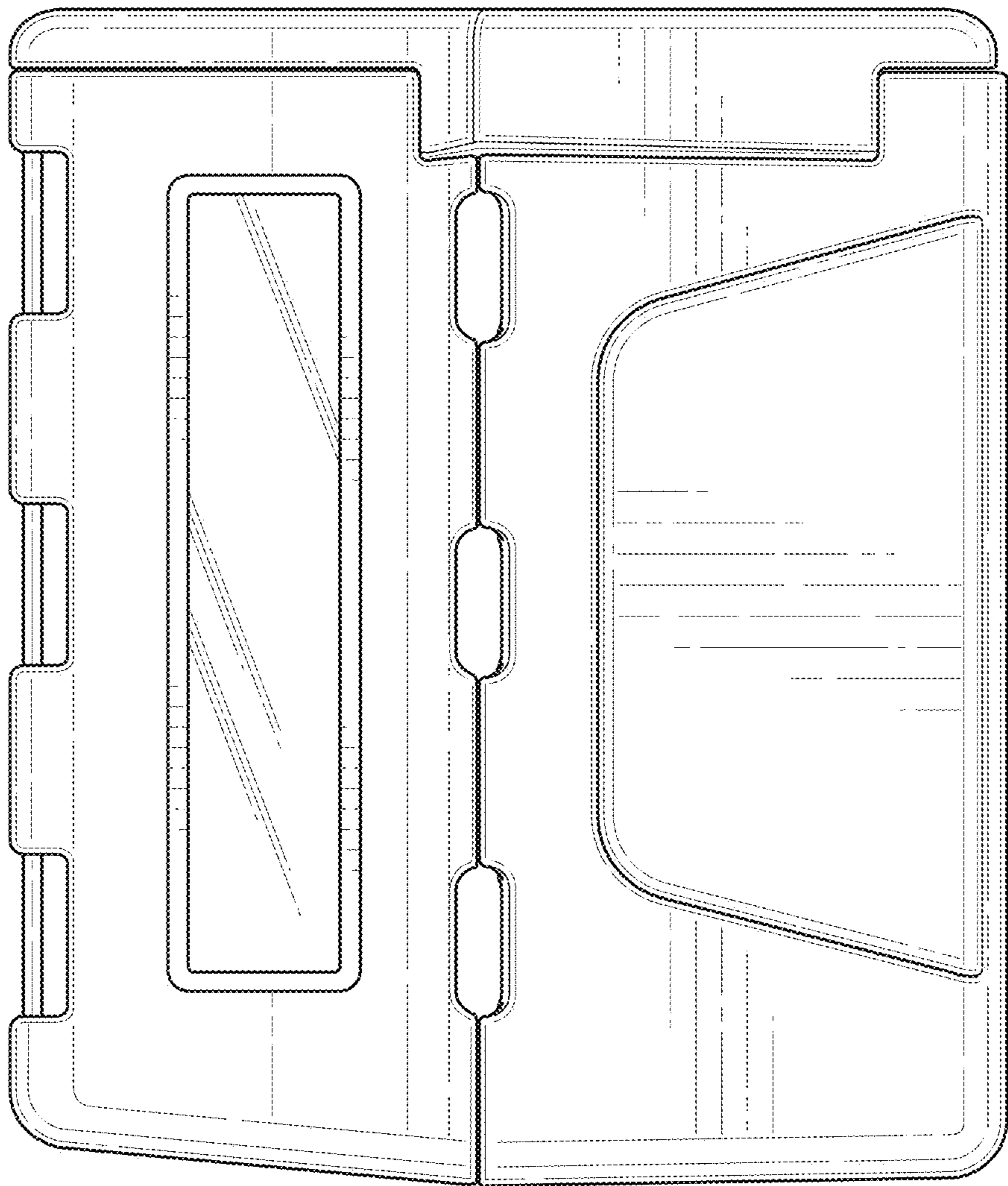


FIG. 4

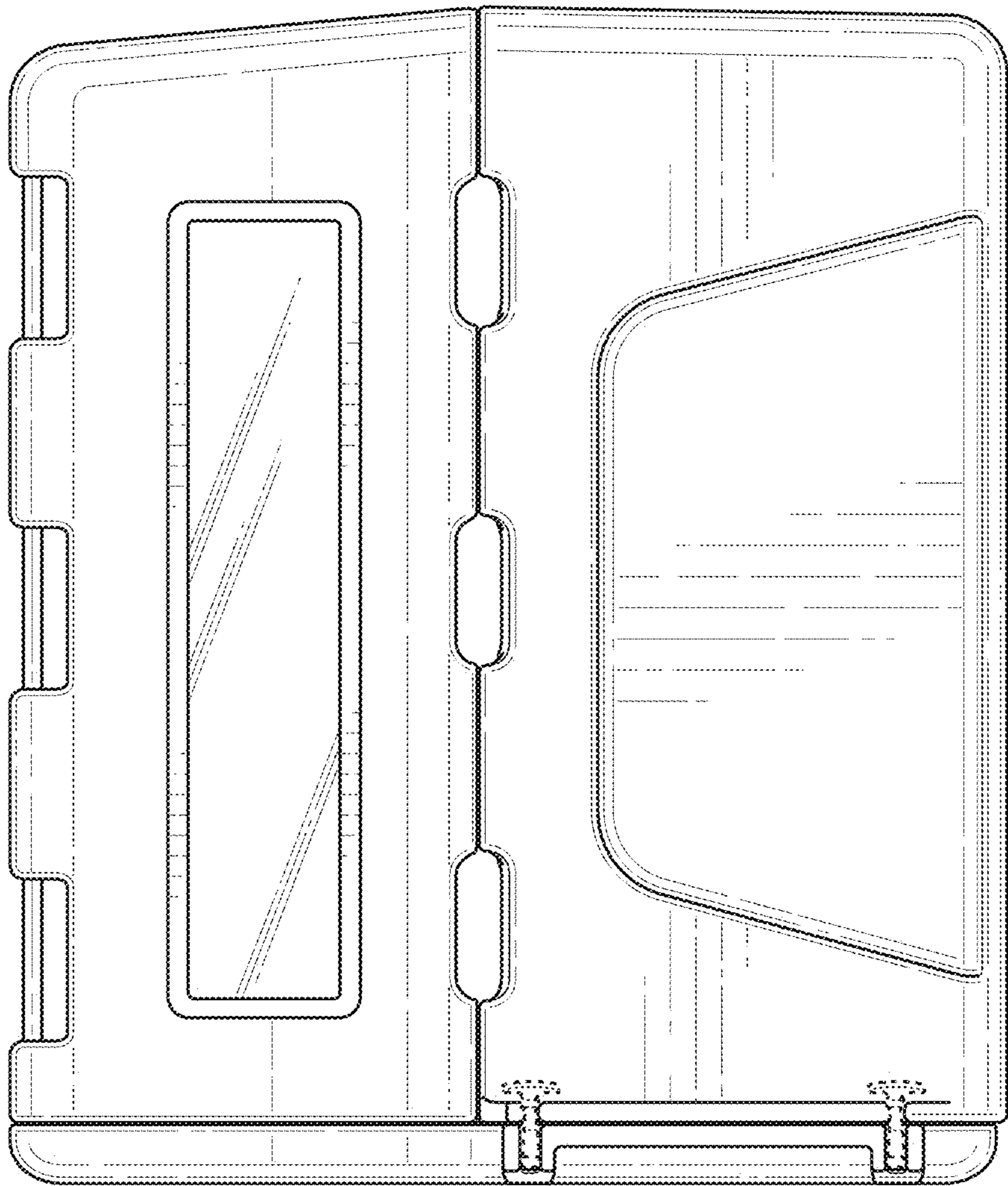


FIG. 5

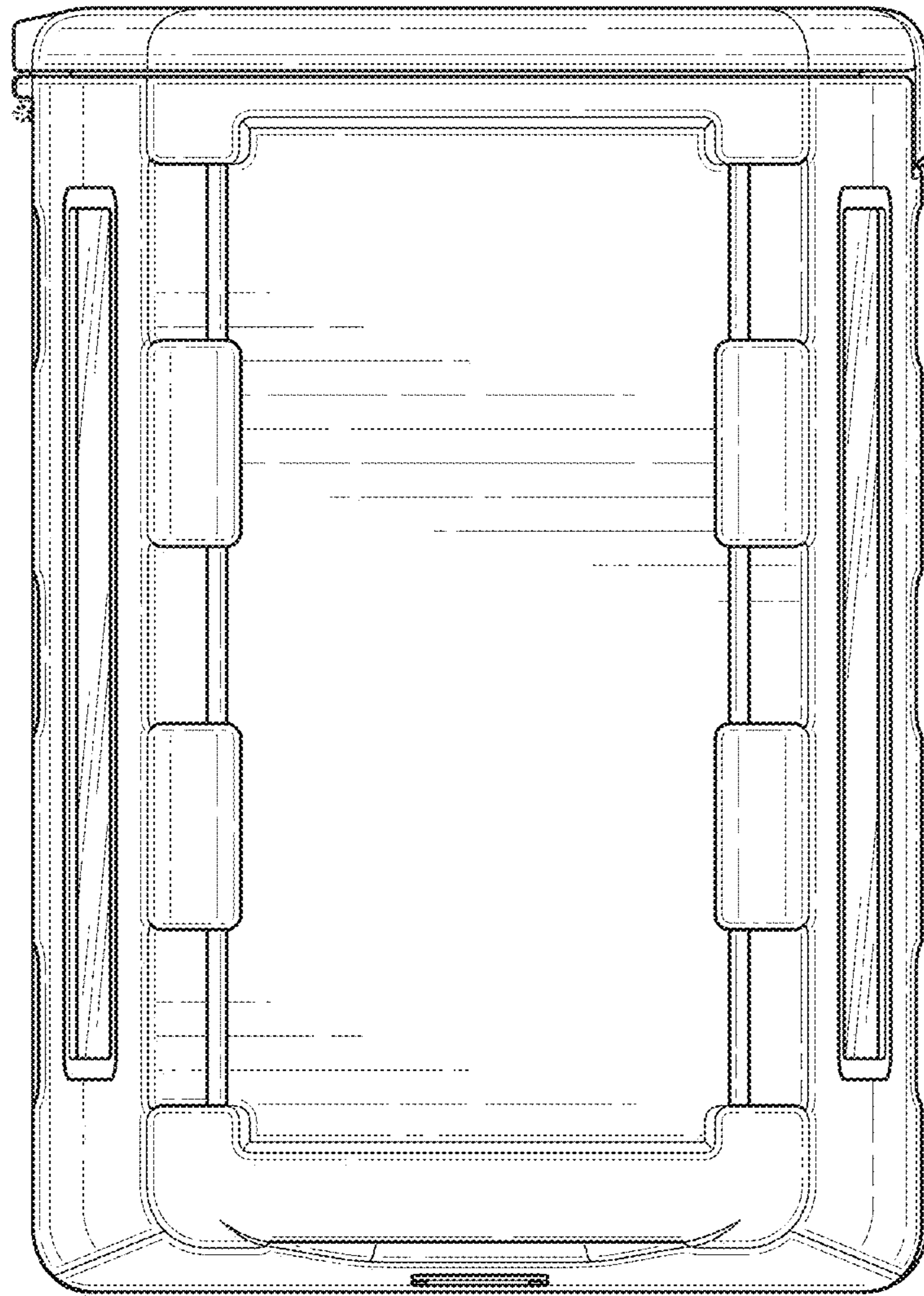


FIG. 6

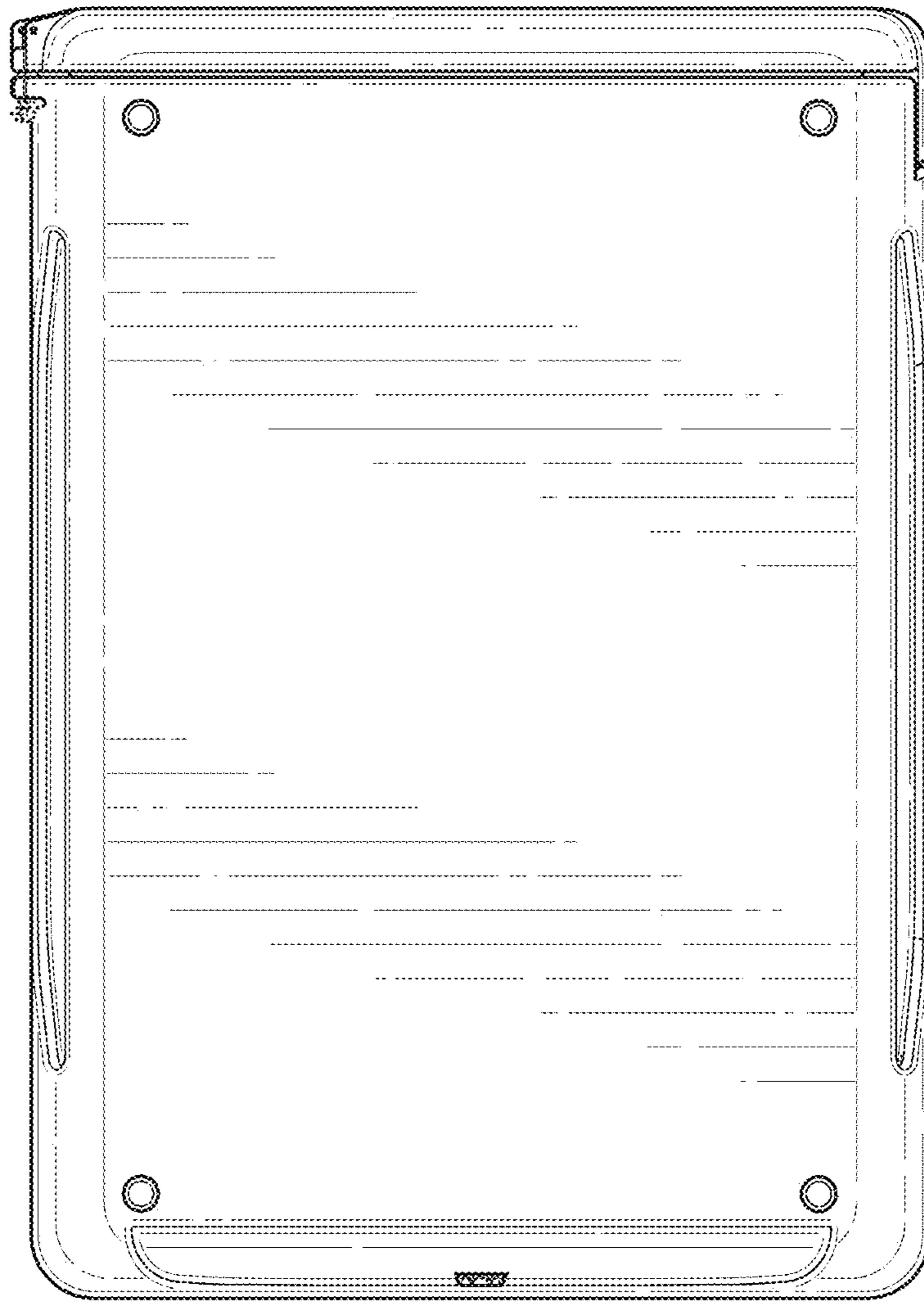


FIG. 7

