

US00D967551S

(12) **United States Design Patent** (10) **Patent No.:** **US D967,551 S**
Zimmer (45) **Date of Patent:** **** Oct. 18, 2022**

(54) **PLATFORM ADAPTER**

(71) Applicant: **Trent Zimmer**, Houma, LA (US)

(72) Inventor: **Trent Zimmer**, Houma, LA (US)

(**) Term: **15 Years**

(21) Appl. No.: **29/755,137**

(22) Filed: **Oct. 17, 2020**

Related U.S. Application Data

(63) Continuation of application No. 29/728,245, filed on Mar. 17, 2020.

(51) **LOC (13) Cl.** **02-99**

(52) **U.S. Cl.**
USPC **D29/122**

(58) **Field of Classification Search**
USPC D29/122
CPC H04R 1/105; H04R 1/1066; A42B 3/16;
A42B 3/30; A42B 3/303; A42B 1/24
See application file for complete search history.

(56) **References Cited**

U.S. PATENT DOCUMENTS

- 4,756,028 A * 7/1988 Scanlon H04R 1/1066
403/80
- 8,700,111 B2 * 4/2014 LeBoeuf A61B 5/7214
600/310
- D742,076 S * 10/2015 Kostal D29/122
- 9,716,938 B1 * 7/2017 Hoernschemeyer A42B 3/04
- 9,838,776 B2 * 12/2017 Broadley H04R 1/1066
- 10,350,113 B2 * 7/2019 Le H04R 1/1066
- 10,393,312 B2 * 8/2019 Pombo F16M 11/2078
- 10,582,736 B2 * 3/2020 Vaccaro A42B 3/04
- 10,617,168 B2 * 4/2020 Winters G02B 23/12
- 11,103,021 B2 * 8/2021 Le A42B 3/0406
- 11,337,484 B2 * 5/2022 Barber H04R 1/1066
- D954,169 S * 6/2022 Zimmer D22/109

(Continued)

OTHER PUBLICATIONS

Unity Tactical AMP Headset Platform Adapter—HCC Tactical (on-line), dated Jan. 16, 2021. Retrieved from Internet Jul. 8, 2022, URL: <http://web.archive.org/web/20210116063319/https://www.hcctac.com/products/amp-headset-platform-adapter-exfil-m-lok> (2 pages) (Year: 2021).*

(Continued)

Primary Examiner — Kimberly Barnes

(74) *Attorney, Agent, or Firm* — Asgaard Patent Services, LLC; F. Wayne Thompson, Jr.

(57) **CLAIM**

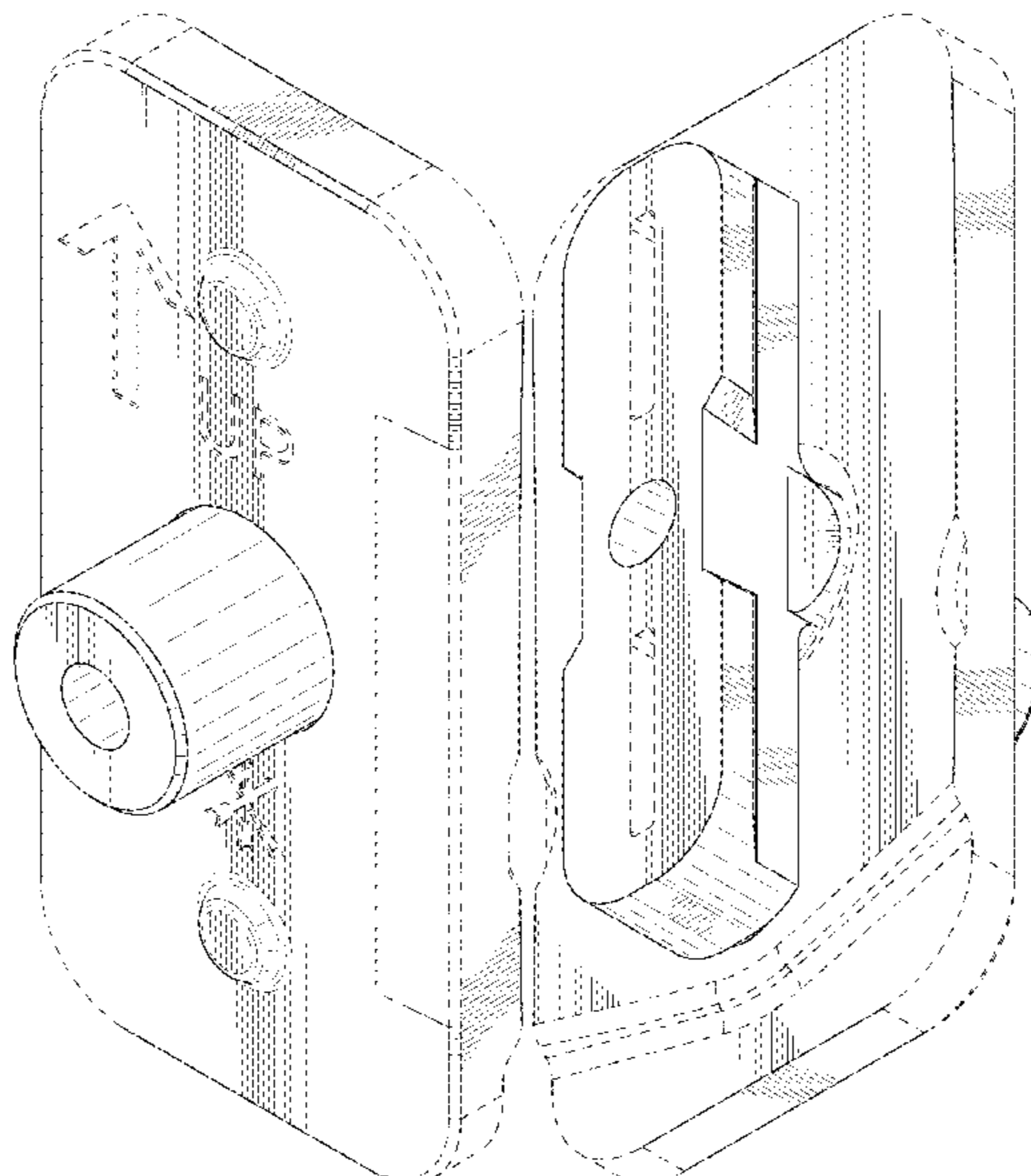
The ornamental design for a platform adapter, as shown and described.

DESCRIPTION

FIG. 1 is a top, front, right side isometric view of a platform adapter showing my new design;
FIG. 2 is a bottom, rear, left side isometric view of the platform adapter shown in FIG. 1;
FIG. 3 is a front view of the platform adapter shown in FIG. 1;
FIG. 4 is a right side view of the platform adapter shown in FIG. 1;
FIG. 5 is a rear view of the platform adapter shown in FIG. 1;
FIG. 6 is a left side view of the platform adapter shown in FIG. 1;
FIG. 7 is a top view of the platform adapter shown in FIG. 1; and,
FIG. 8 is a bottom view of the platform adapter shown in FIG. 1.

The evenly broken lines shown in the drawings represent portions of the platform adapter that form no part of the claimed design. The unevenly broken lines represent the bounds of the claim and form no part thereof.

1 Claim, 7 Drawing Sheets



(56)

References Cited

U.S. PATENT DOCUMENTS

2018/0168270 A1* 6/2018 Vaccaro H04R 1/1066

OTHER PUBLICATIONS

Unity Tactical Platform Adapter MTEK (on-line), dated Jul. 11, 2020. Retrieved from Internet Jul. 8, 2022, URL: <http://web.archive.org/web/20200711004532/https://www.airsoft-milsim-news.com/unity-tactical-platform-adapter/> (2 pages) (Year: 2020).*

* cited by examiner

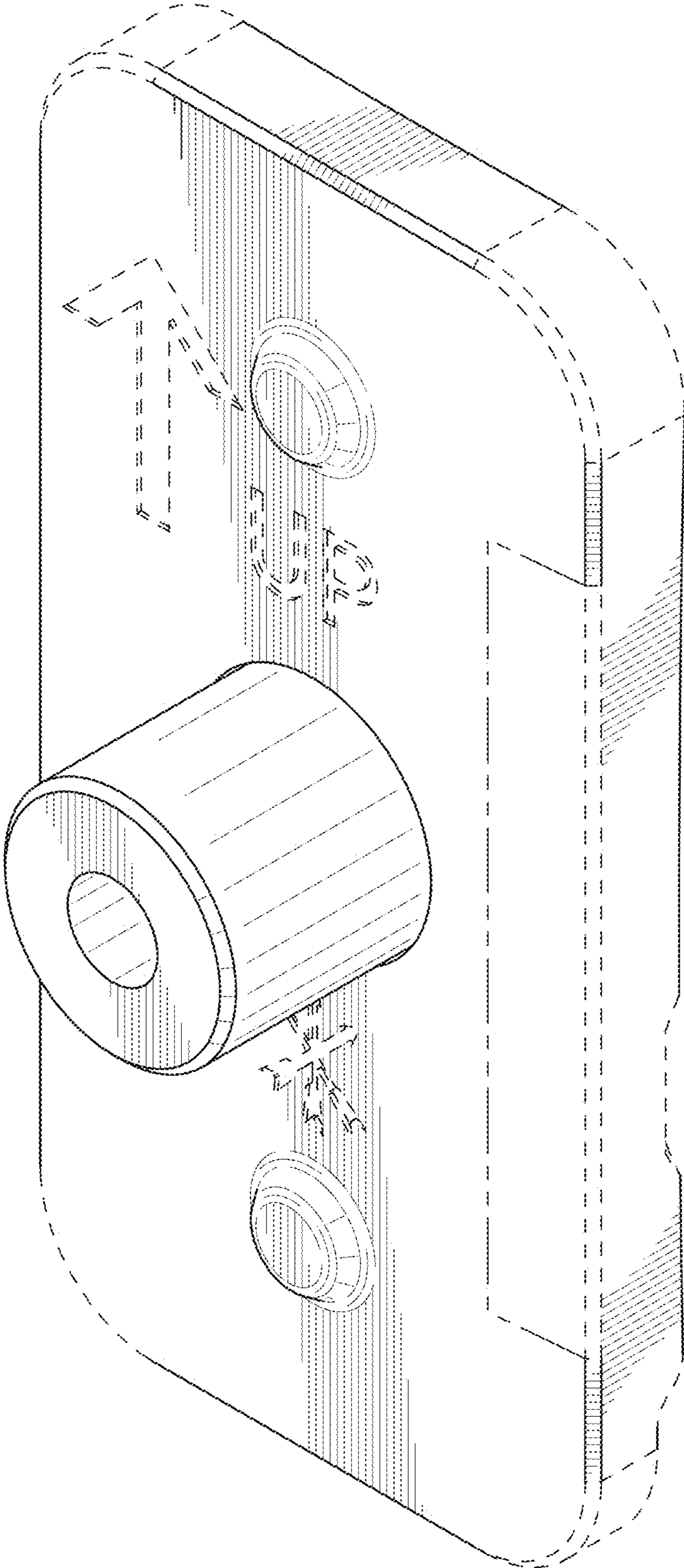


FIG. 1

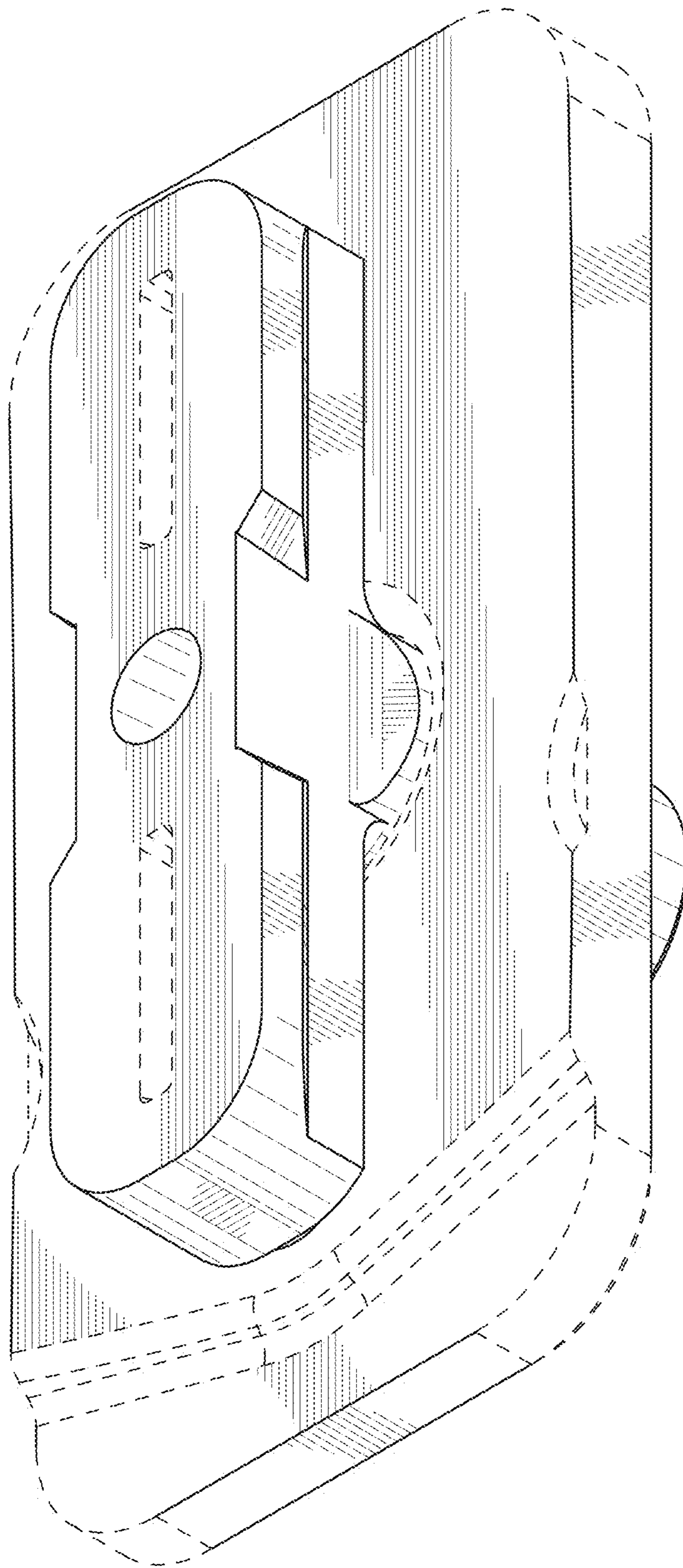


FIG. 2

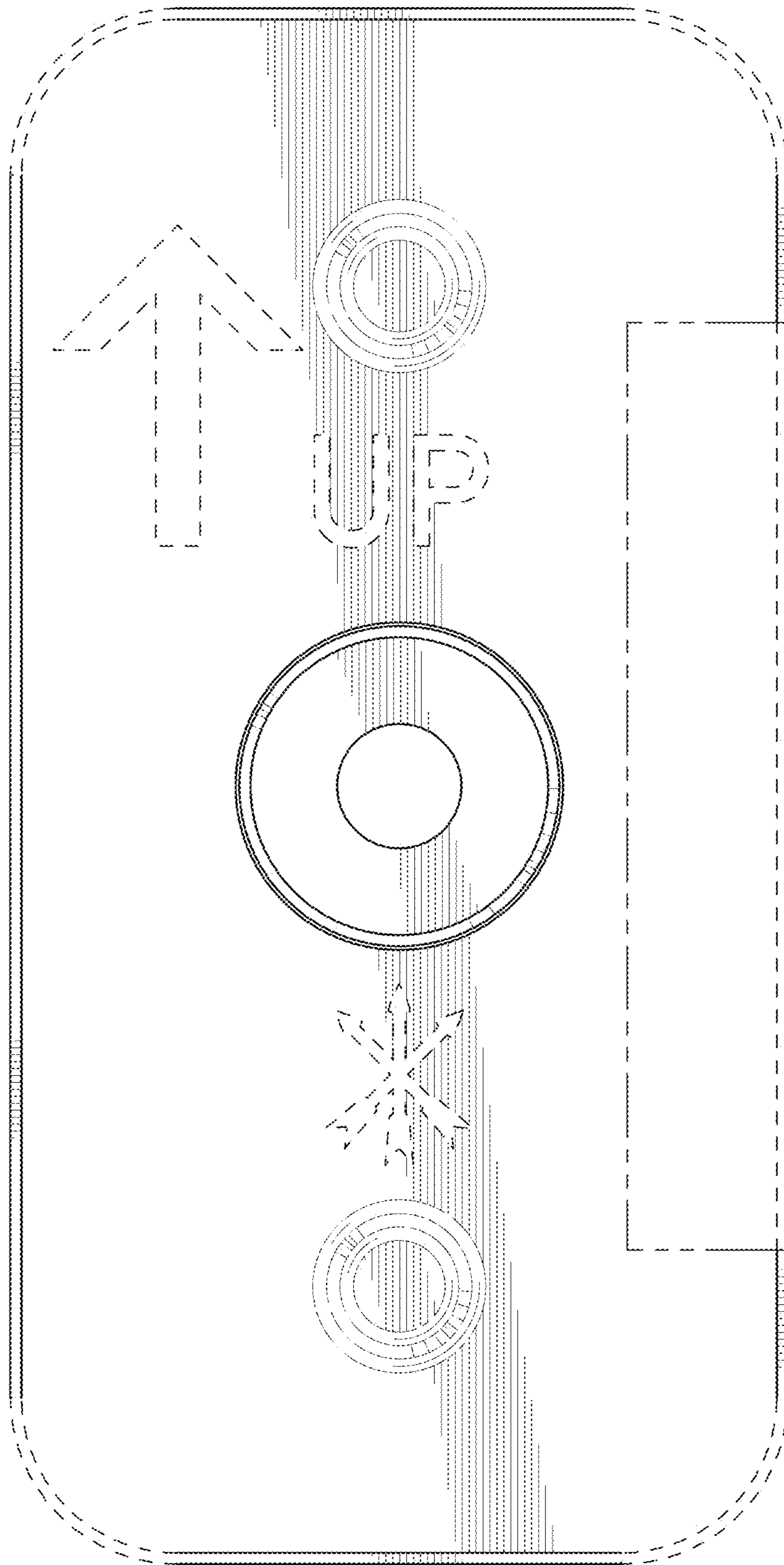


FIG. 3

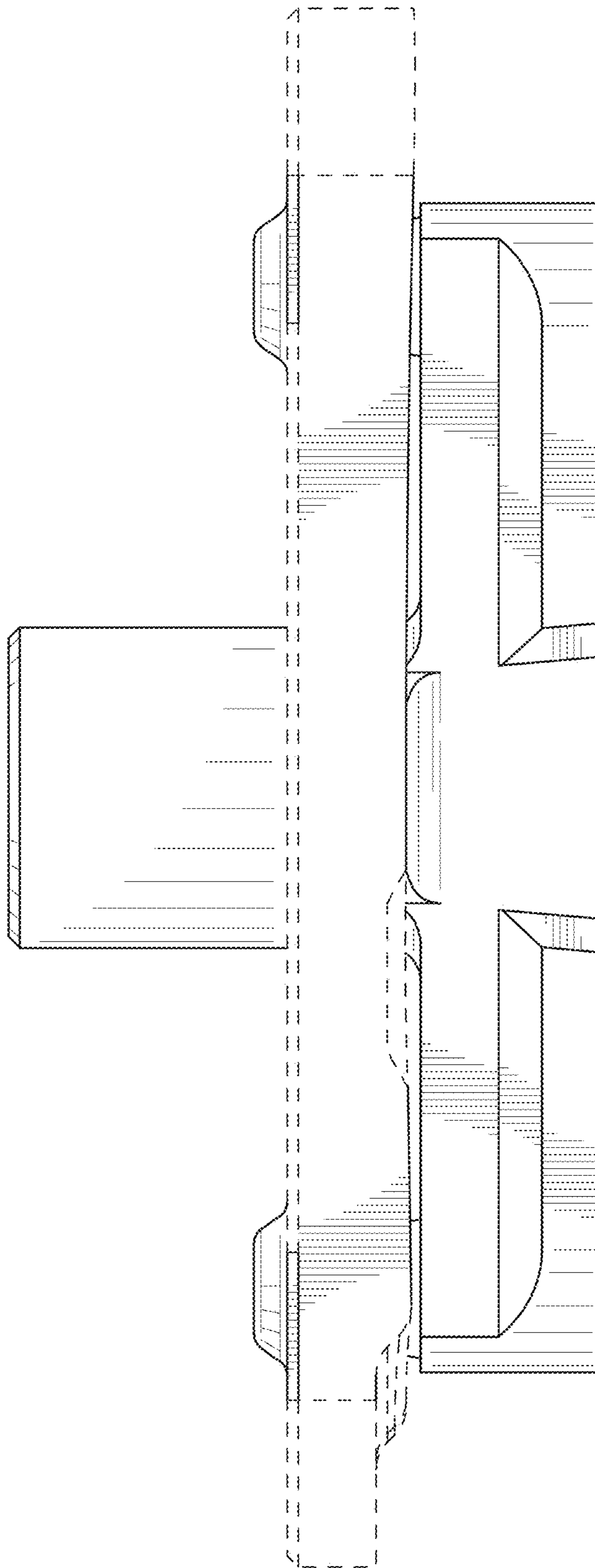


FIG. 4

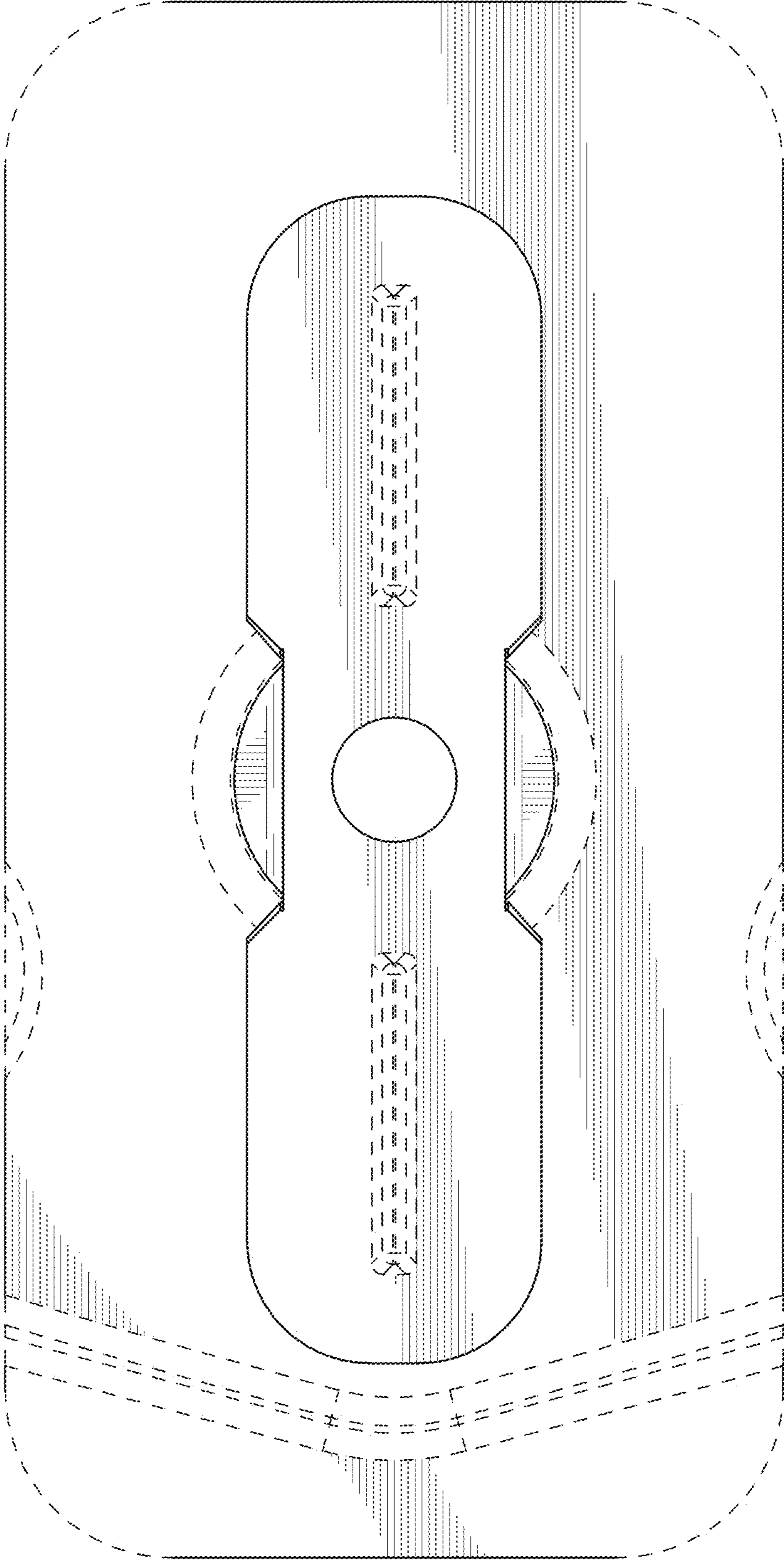


FIG. 5

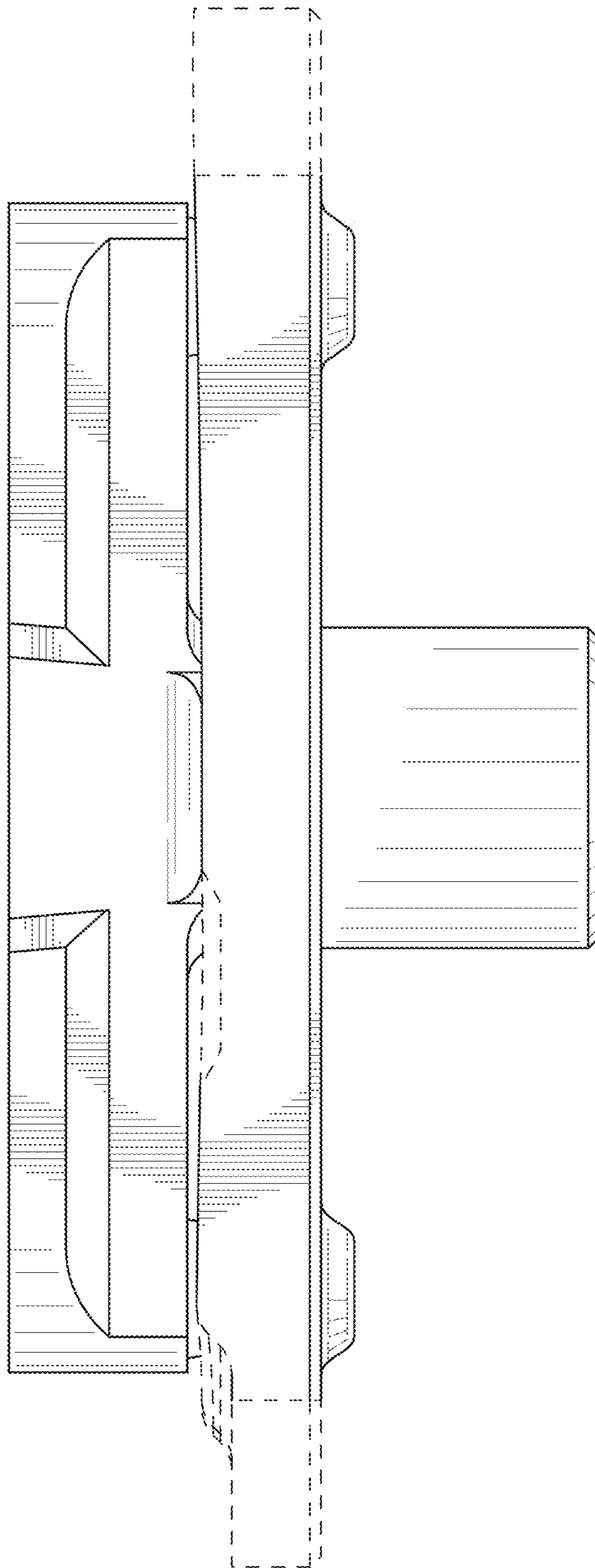


FIG. 6

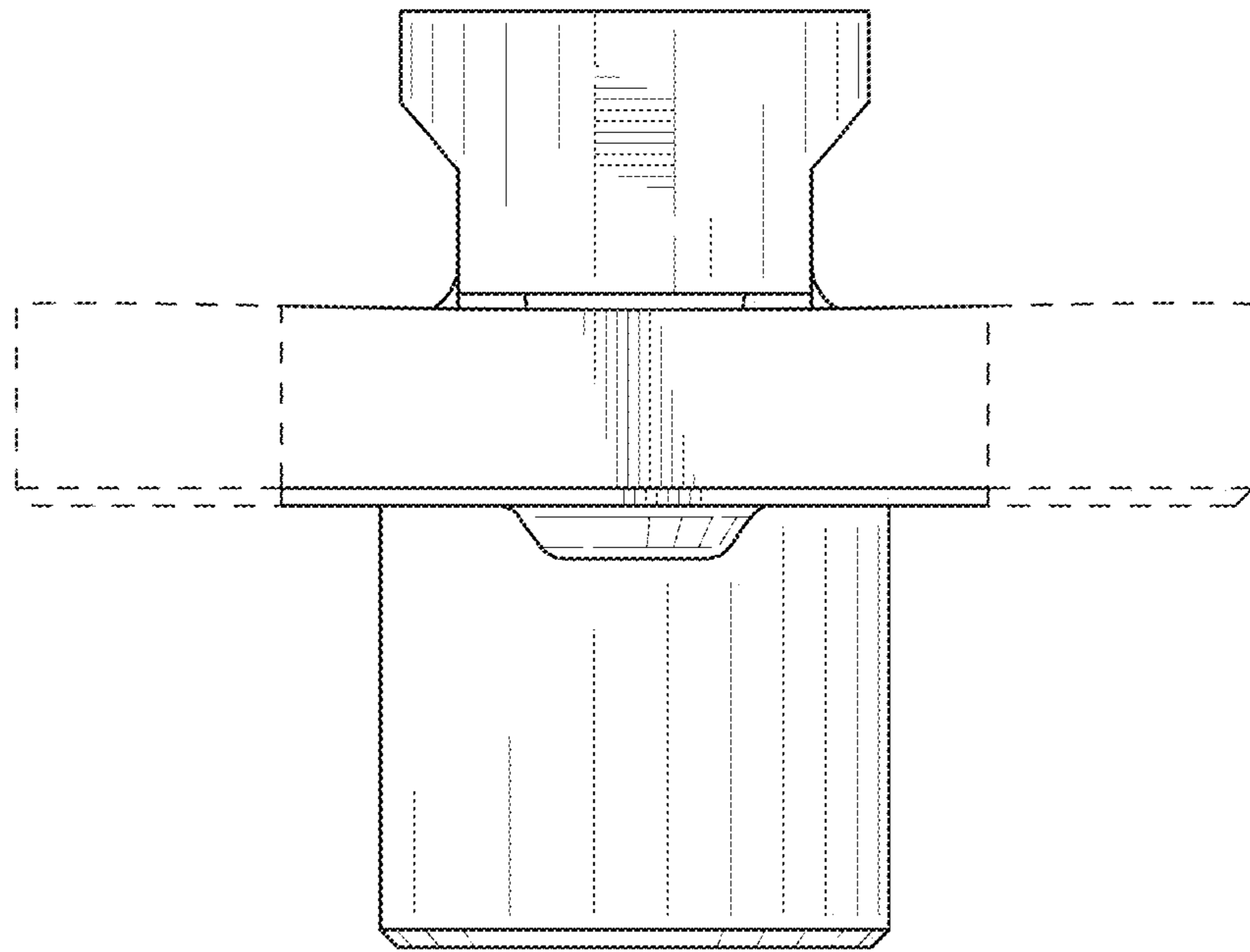


FIG. 7

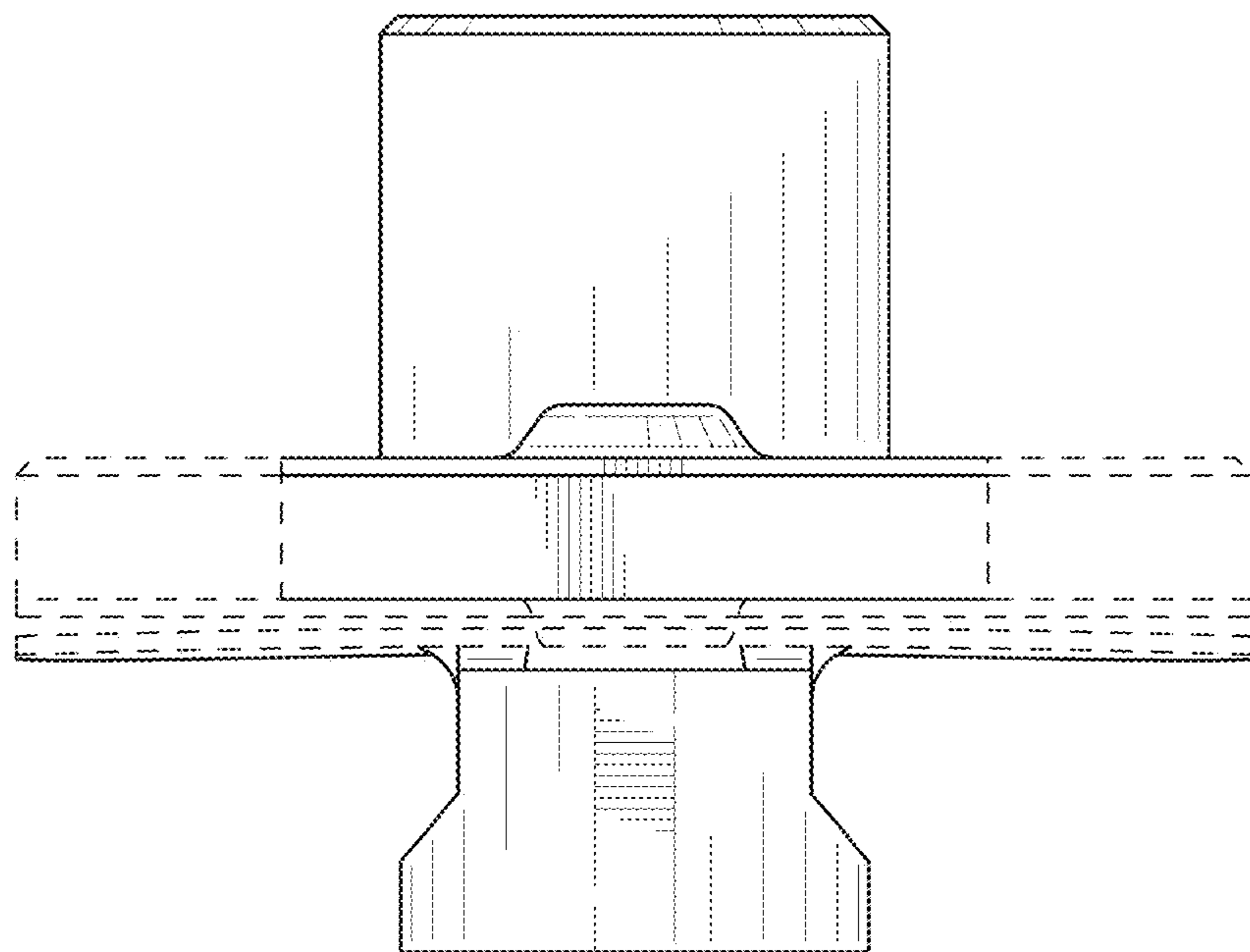


FIG. 8