



US00D967549S

(12) **United States Design Patent**
Zimmer

(10) **Patent No.:** **US D967,549 S**

(45) **Date of Patent:** **** Oct. 18, 2022**

(54) **PLATFORM ADAPTER**

(71) Applicant: **Trent Zimmer**, Houma, LA (US)

(72) Inventor: **Trent Zimmer**, Houma, LA (US)

(**) Term: **15 Years**

(21) Appl. No.: **29/728,245**

(22) Filed: **Mar. 17, 2020**

(51) **LOC (13) Cl.** **02-99**

(52) **U.S. Cl.**
USPC **D29/122**

(58) **Field of Classification Search**

USPC D29/122
CPC H04R 1/105; H04R 1/1066; A42B 3/16;
A42B 3/30; A42B 3/303; A42B 1/24
See application file for complete search history.

(56) **References Cited**

U.S. PATENT DOCUMENTS

4,756,028	A *	7/1988	Scanlon	H04R 1/1066
					403/80
8,700,111	B2 *	4/2014	LeBoeuf	A61B 5/7214
					600/310
D742,076	S *	10/2015	Kostal	D29/122
9,716,938	B1 *	7/2017	Hoernschemeyer	A42B 3/04
9,838,776	B2 *	12/2017	Broadley	H04R 1/1066
10,350,113	B2 *	7/2019	Le	H04R 1/1066
10,393,312	B2 *	8/2019	Pombo	F16M 11/2078
10,582,736	B2 *	3/2020	Vaccaro	A42B 3/04
10,617,168	B2 *	4/2020	Winters	G02B 23/12
11,103,021	B2 *	8/2021	Le	A42B 3/0406
11,337,484	B2 *	5/2022	Barber	H04R 1/1066
D954,169	S *	6/2022	Zimmer	D22/109
2018/0168270	A1 *	6/2018	Vaccaro	H04R 1/1066

OTHER PUBLICATIONS

Unity Tactical AMP Headset Platform Adapter—HCC Tactical (on-line), dated Jan. 16, 2021. Retrieved from Internet Jul. 8, 2022,

URL: <http://web.archive.org/web/20210116063319/https://www.hcctac.com/products/amp-headset-platform-adapter-exfil-m-lok> (2 pages) (Year: 2021).*

(Continued)

Primary Examiner — Kimberly Barnes

(74) *Attorney, Agent, or Firm* — Asgaard Patent Services, LLC; F. Wayne Thompson, Jr.

(57) **CLAIM**

The ornamental design for a platform adapter, as shown and described.

DESCRIPTION

FIG. 1 is a top, front, right side isometric view of a platform adapter showing my new design, in which the base and plate portions are coupled;

FIG. 2 is a bottom, rear, left side isometric view of the platform adapter shown in FIG. 1;

FIG. 3 is a top, front, right side isometric view of the platform adapter, shown without the plate portion for clarity of illustration;

FIG. 4 is a bottom, rear, left side isometric view of the platform adapter shown in FIG. 3;

FIG. 5 is a front view of the platform adapter shown in FIG. 3;

FIG. 6 is a right side view of the platform adapter shown in FIG. 3;

FIG. 7 is a rear view of the platform adapter shown in FIG. 3;

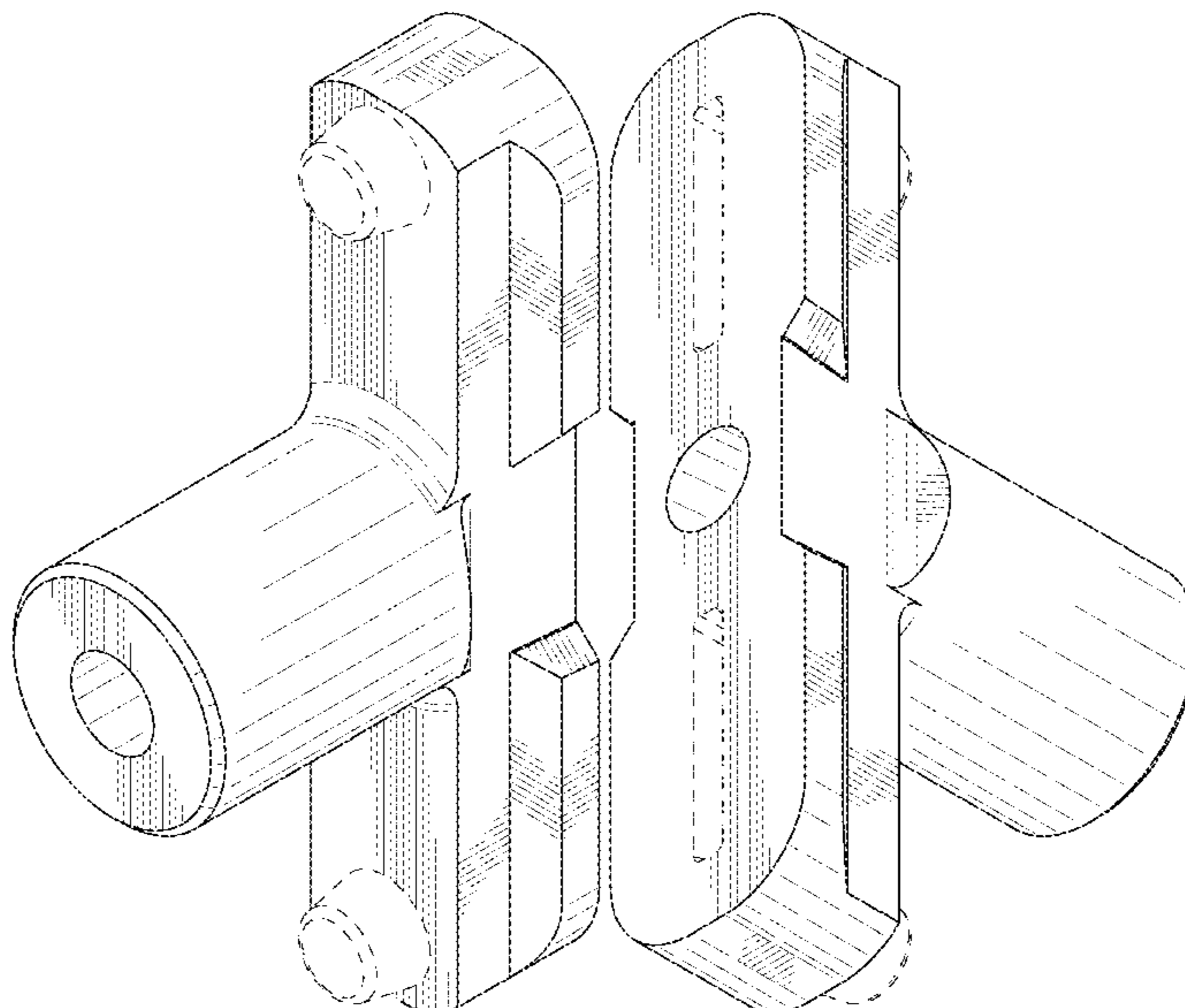
FIG. 8 is a left side view of the platform adapter shown in FIG. 3;

FIG. 9 is a top view of the platform adapter shown in FIG. 3; and,

FIG. 10 is a bottom view of the platform adapter shown in FIG. 3.

The broken lines represent portions of the platform adapter that form no part of the claimed design.

1 Claim, 7 Drawing Sheets



(56)

References Cited

OTHER PUBLICATIONS

Unity Tactical Platform Adapter MTEK (on-line), dated Jul. 11, 2020. Retrieved from Internet Jul. 8, 2022, URL: <http://web.archive.org/web/20200711004532/https://www.airsoft-milsim-news.com/unity-tactical-platform-adapter/> (2 pages) (Year: 2020).*

* cited by examiner

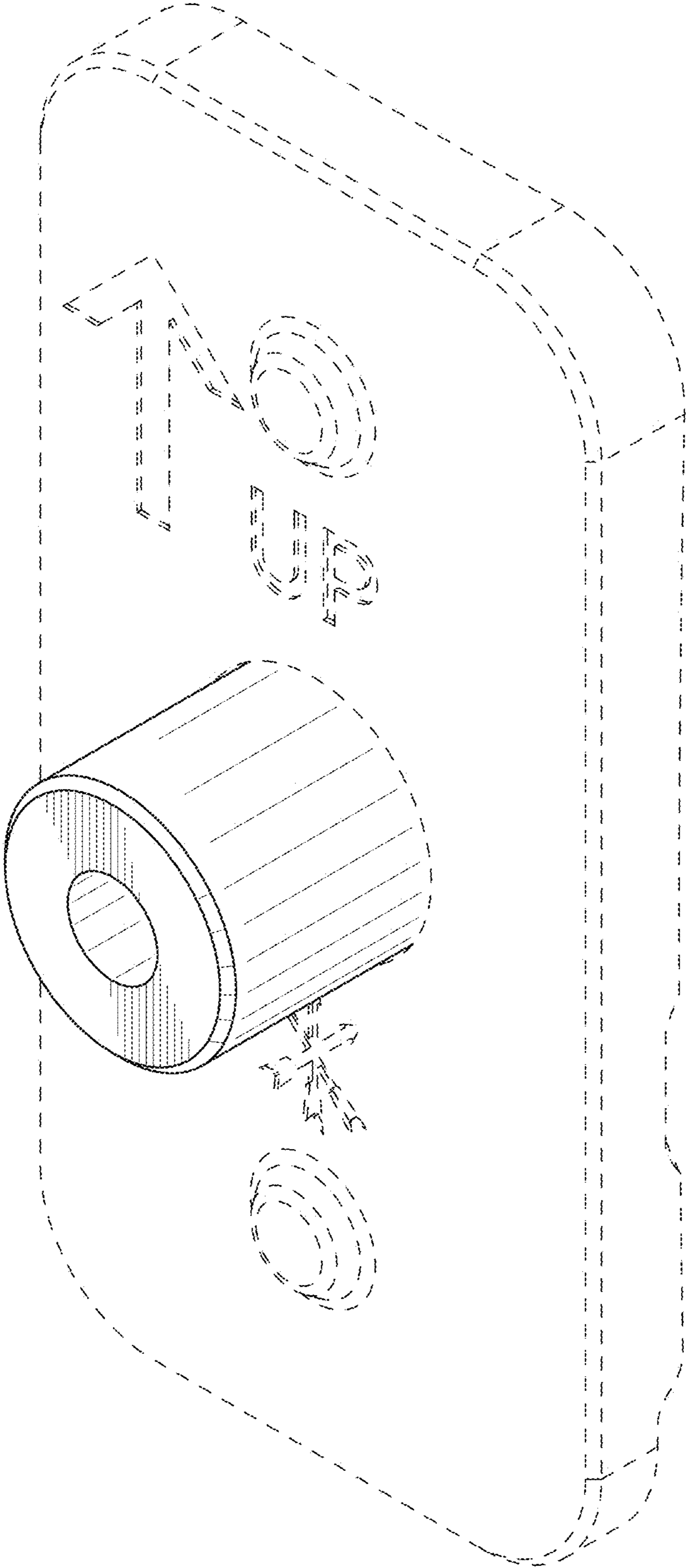


FIG. 1

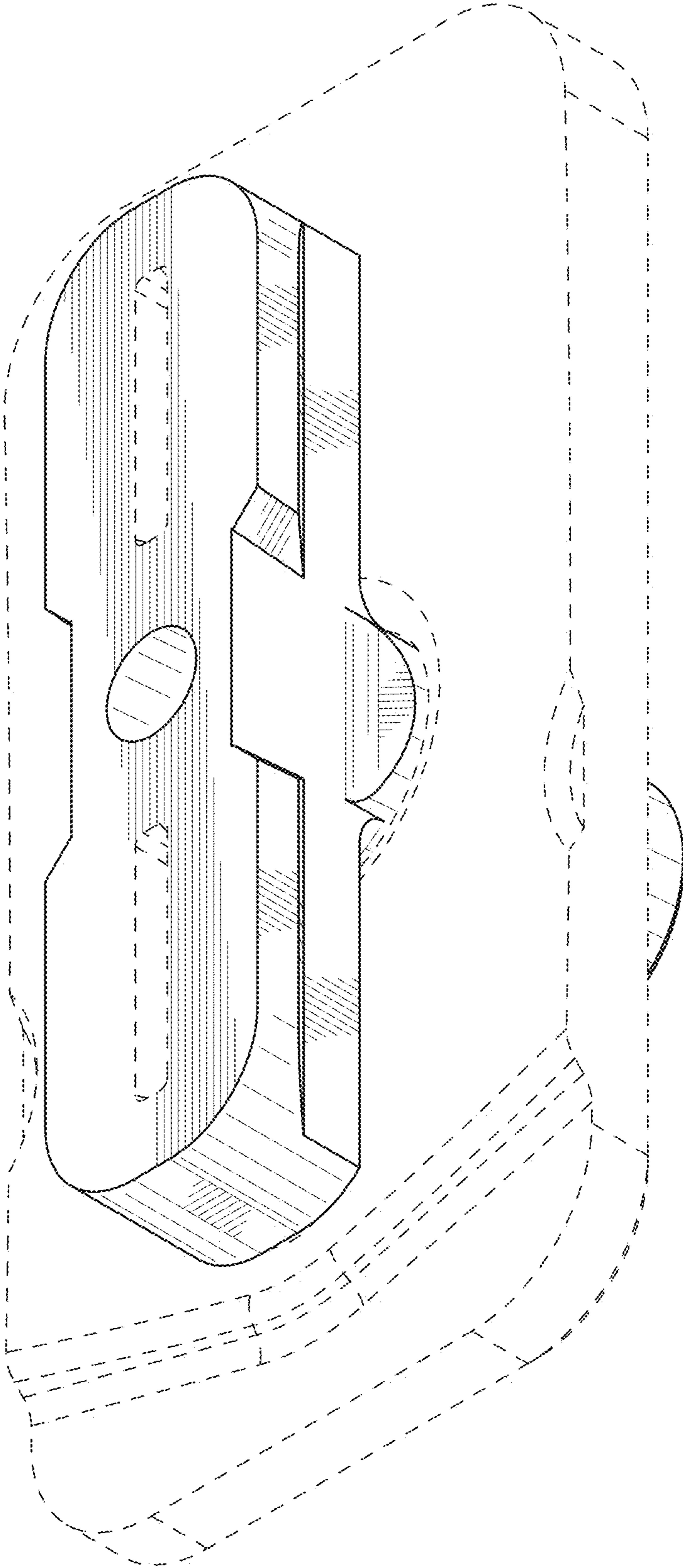


FIG. 2

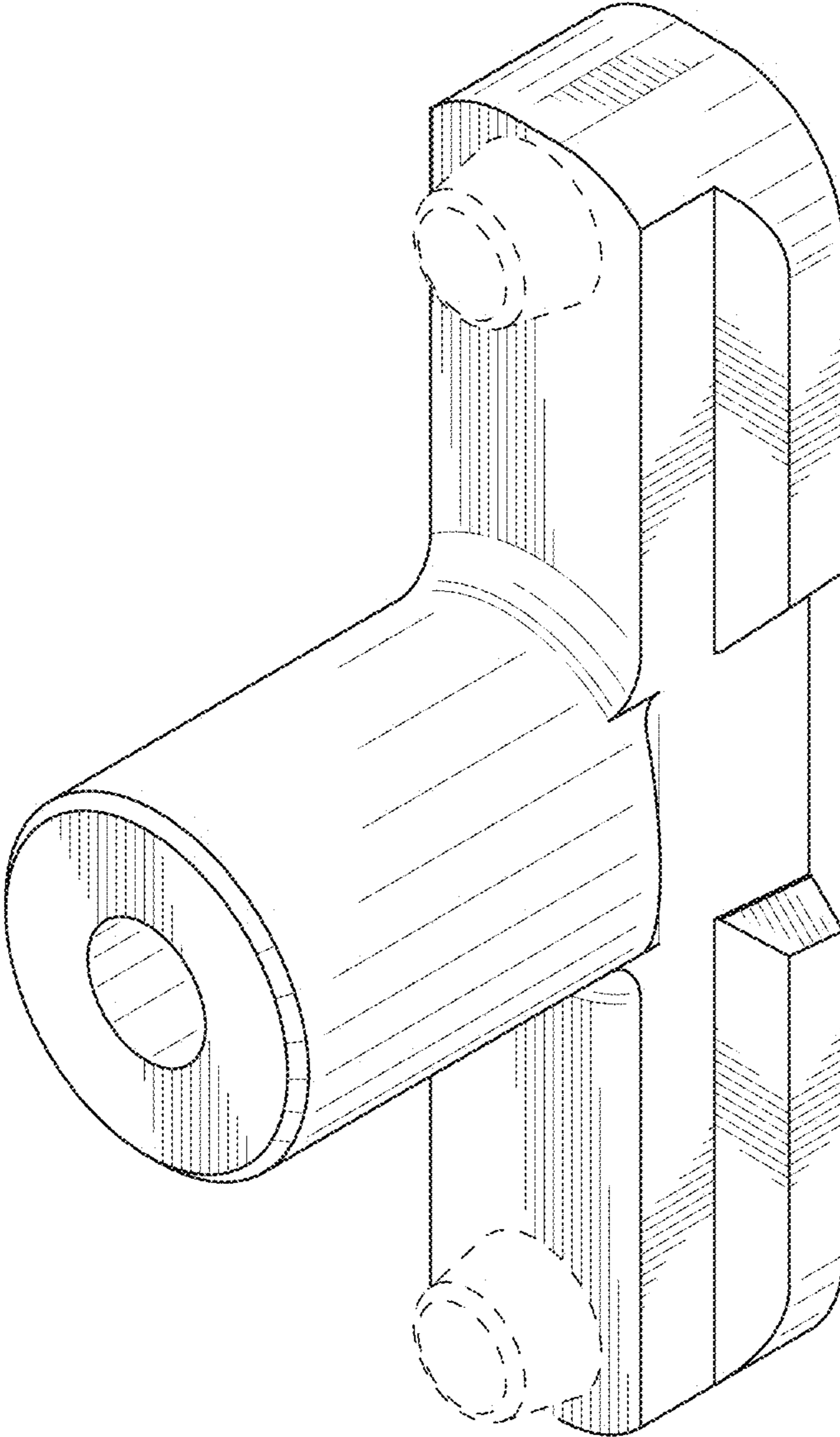


FIG. 3

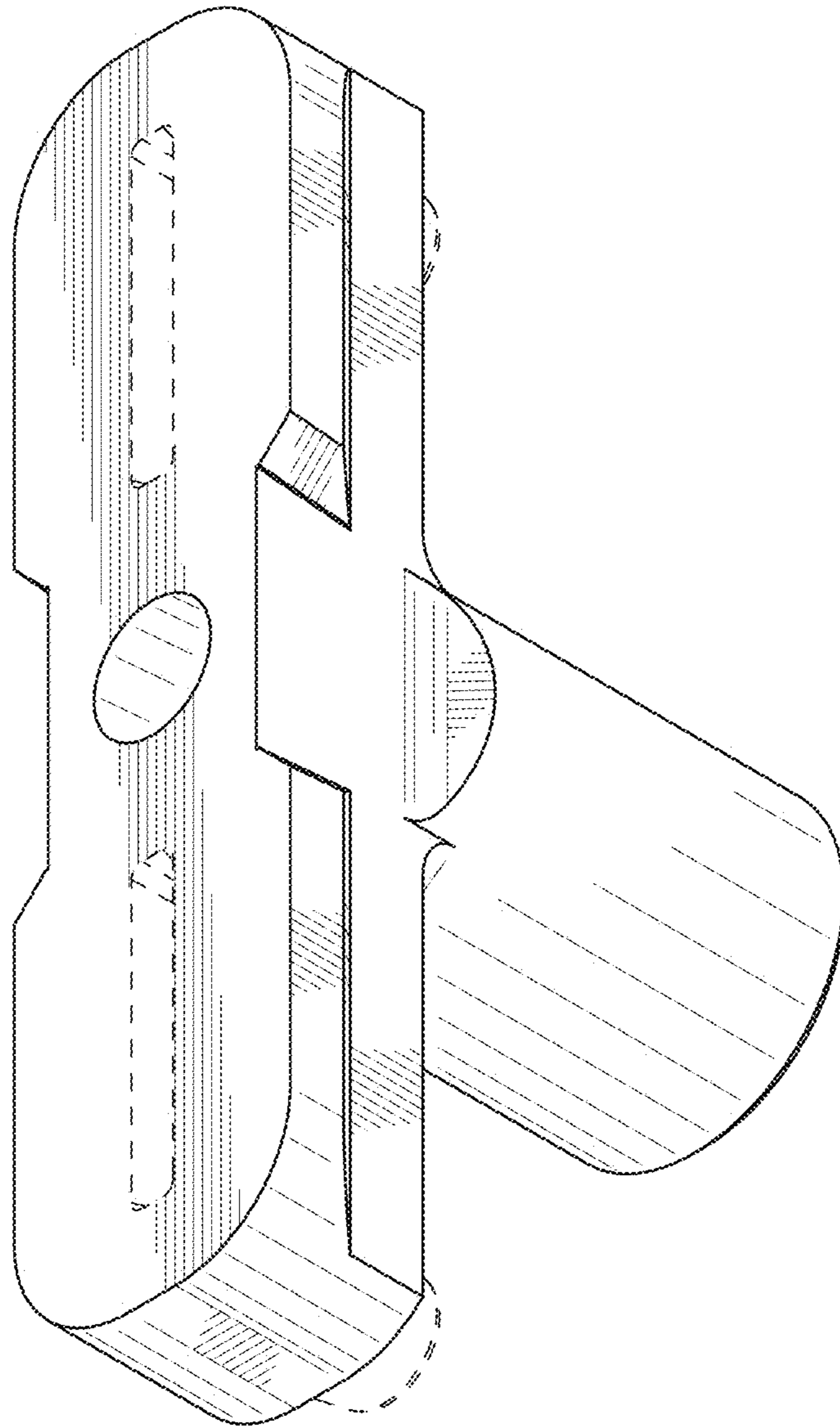


FIG. 4

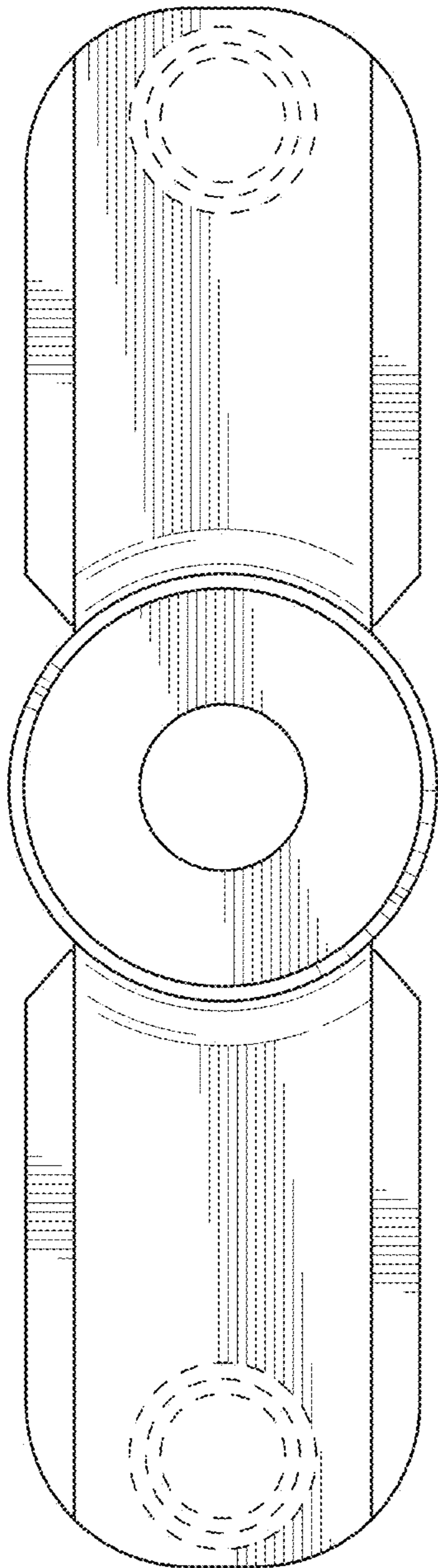


FIG. 5

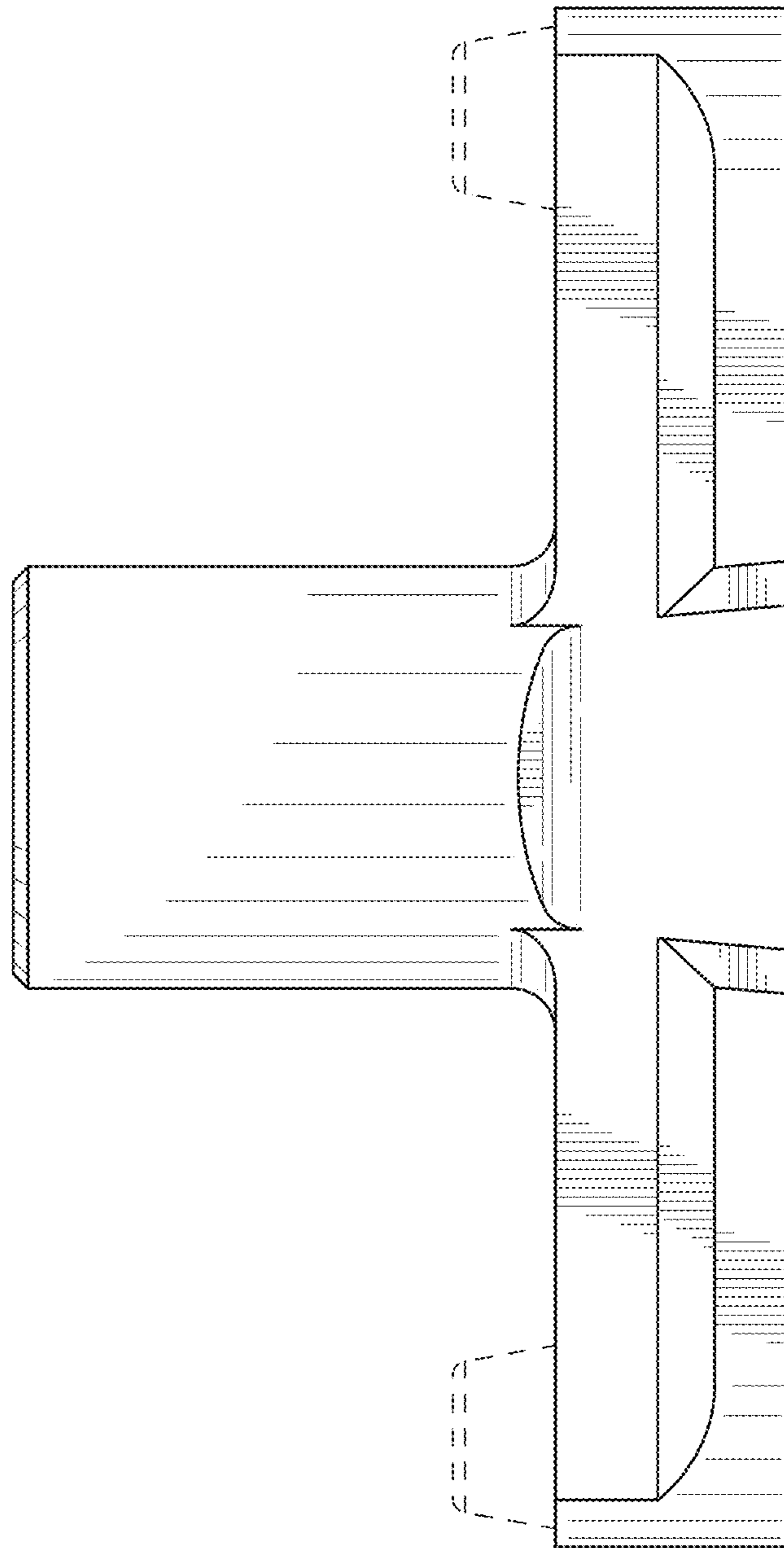


FIG. 6

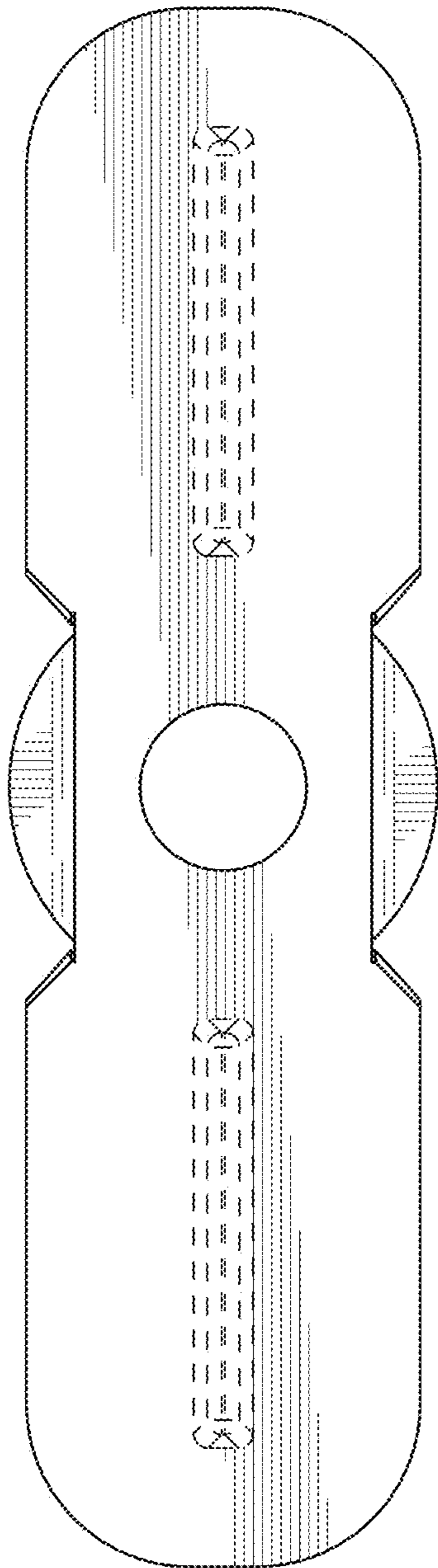


FIG. 7

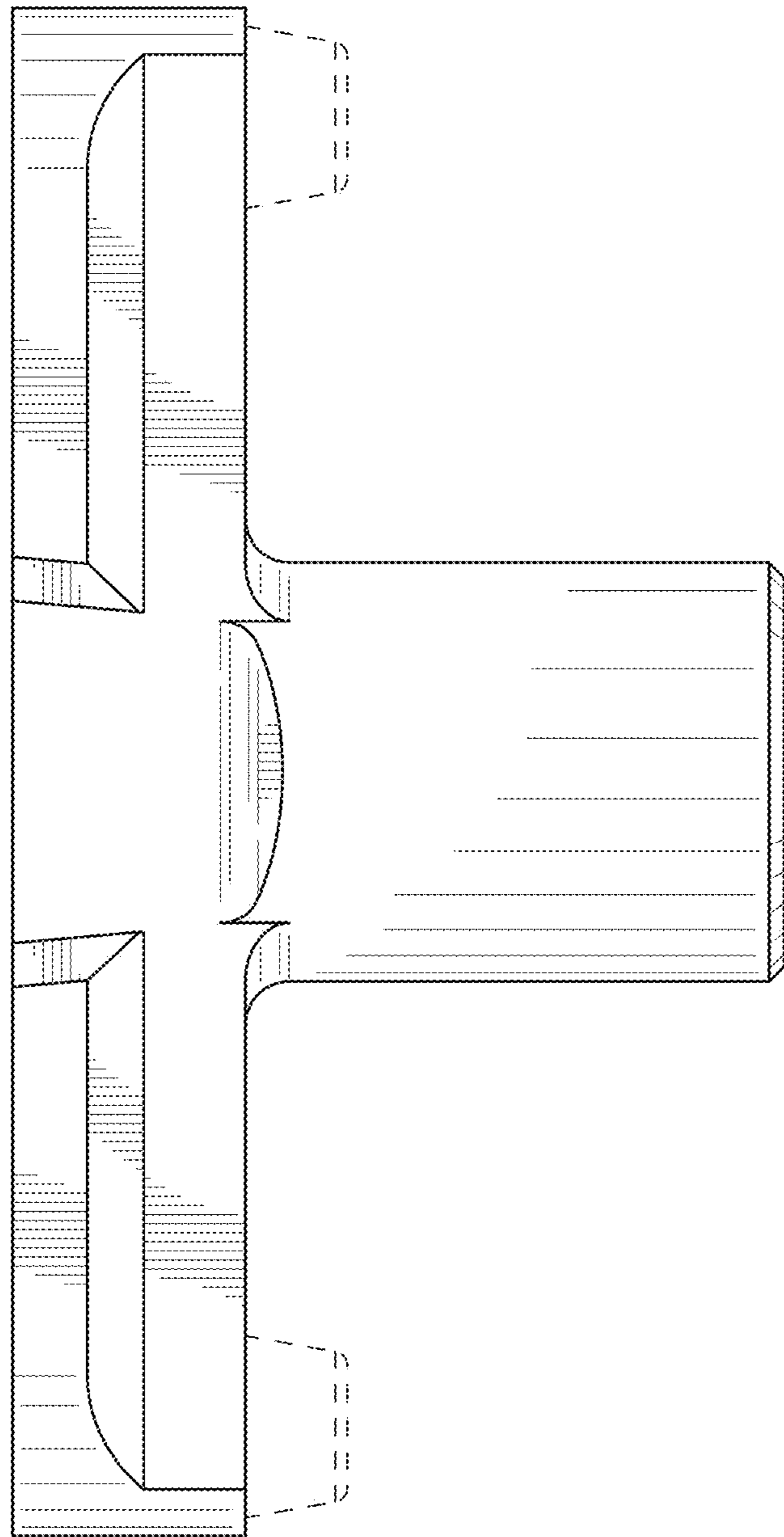


FIG. 8

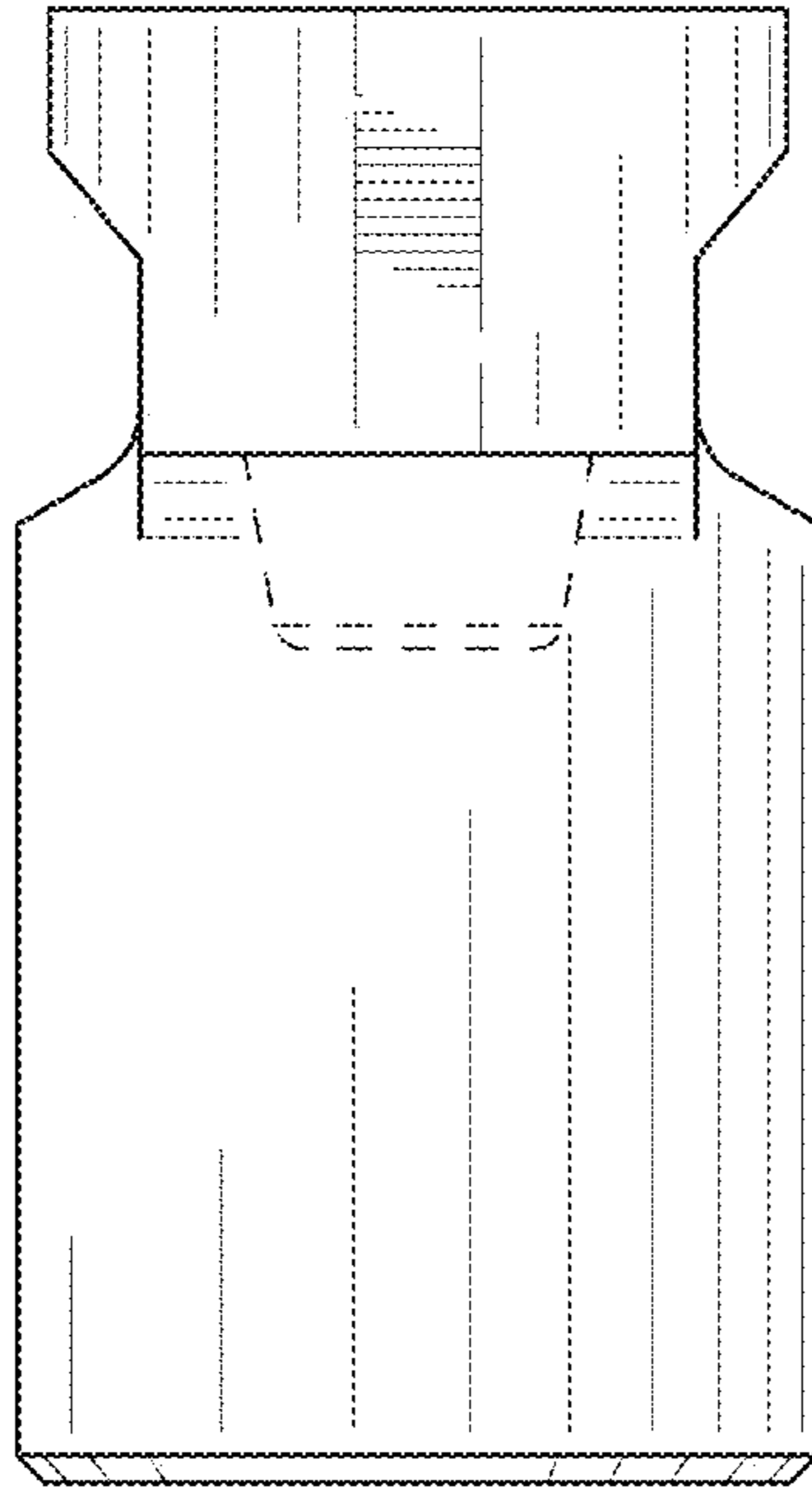


FIG. 9

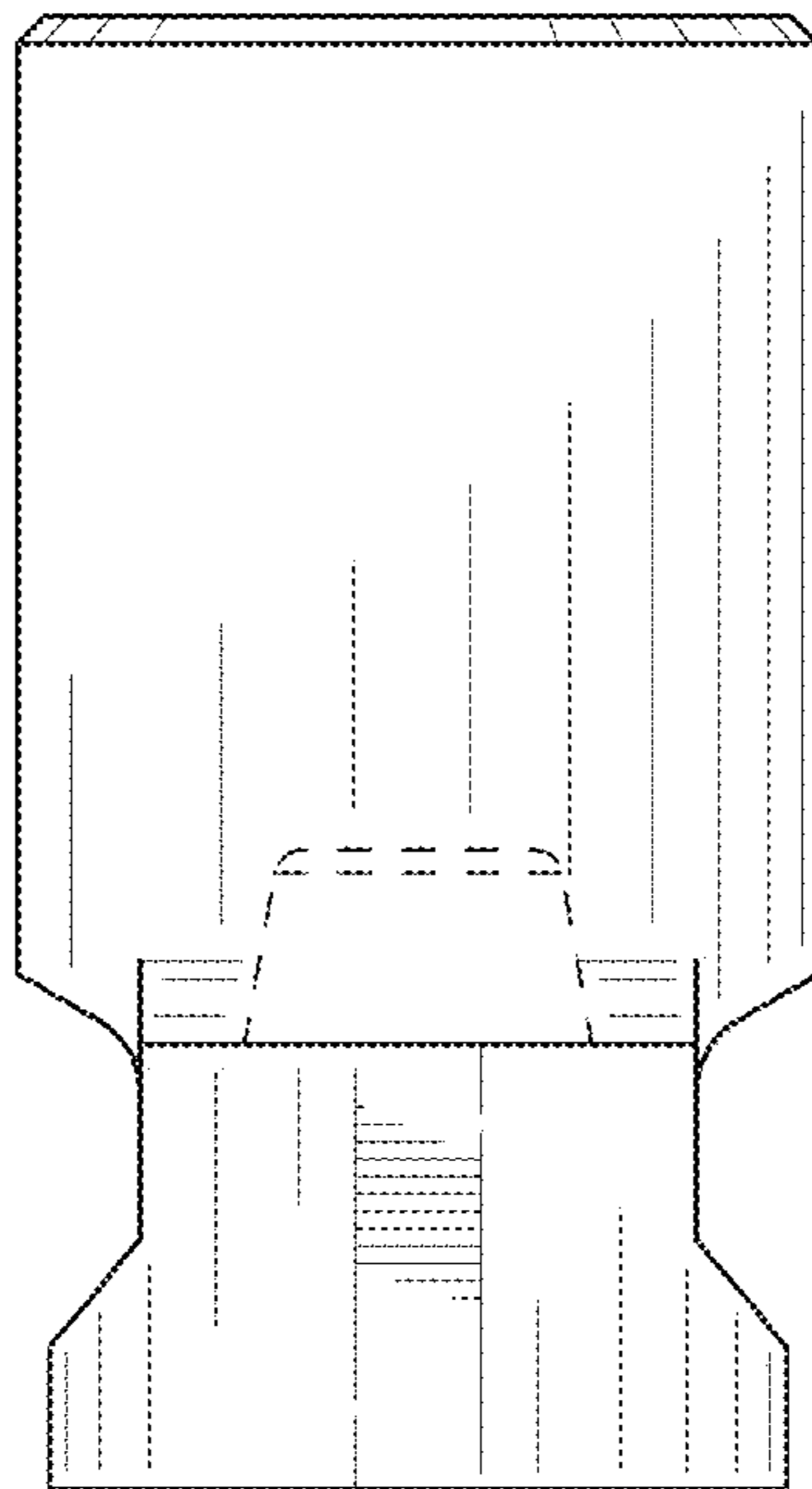


FIG. 10