



US00D967546S

(12) **United States Design Patent**
Ling

(10) **Patent No.:** **US D967,546 S**
(45) **Date of Patent:** **** Oct. 18, 2022**

(54) **WELDING MASK**

(71) Applicant: **Kun Ling**, Yunnan (CN)

(72) Inventor: **Kun Ling**, Yunnan (CN)

(**) Term: **15 Years**

(21) Appl. No.: **29/804,015**

(22) Filed: **Aug. 17, 2021**

(51) **LOC (13) Cl.** **29-02**

(52) **U.S. Cl.**
USPC **D29/110**

(58) **Field of Classification Search**
USPC D29/110, 122; D8/312
See application file for complete search history.

Firepower 1423-4100 Eclipse Hand Held Welding Shield, Amazon.com. https://www.amazon.com/Firepower-1423-4100-Eclipse-Hand-Held-Welding/dp/B000WZWB6Y/ref=psdc_3753561_t1_B00JW1QRNM (Year: 2006).*

* cited by examiner

Primary Examiner — Robert A Delehanty

(74) *Attorney, Agent, or Firm* — ScienBiziP, P.C.

(57) **CLAIM**

The ornamental design for a welding mask, as shown and described.

(56) **References Cited**

U.S. PATENT DOCUMENTS

2,105,018	A *	1/1938	Tatter	A61F 9/061
					2/8.3
4,785,954	A *	11/1988	Li	A61F 9/061
					2/8.3
4,993,617	A *	2/1991	Yang	A61F 9/061
					228/59
D342,347	S *	12/1993	Chen	D29/110
D349,588	S *	8/1994	Howard	D29/110
D779,837	S *	2/2017	Lin	D6/312
D927,790	S	8/2021	Jia		
D927,791	S	8/2021	Jia		

OTHER PUBLICATIONS

1 PC Steel paper welding mask welding welding cap mask hand-held welder mask, Ali Express. <https://www.aliexpress.com/i/2251832864291409.html?gatewayAdapt=4itemAdapt> (Year: 2022).*

DESCRIPTION

FIG. 1 is a front, right, and top perspective view of a welding mask, showing my design.

FIG. 2 is a front, right and bottom perspective view thereof.

FIG. 3 is a rear, left, and bottom perspective view thereof.

FIG. 4 is a front elevation view thereof.

FIG. 5 is a rear elevation view thereof.

FIG. 6 is a left side elevation view thereof.

FIG. 7 is a right side elevation view thereof.

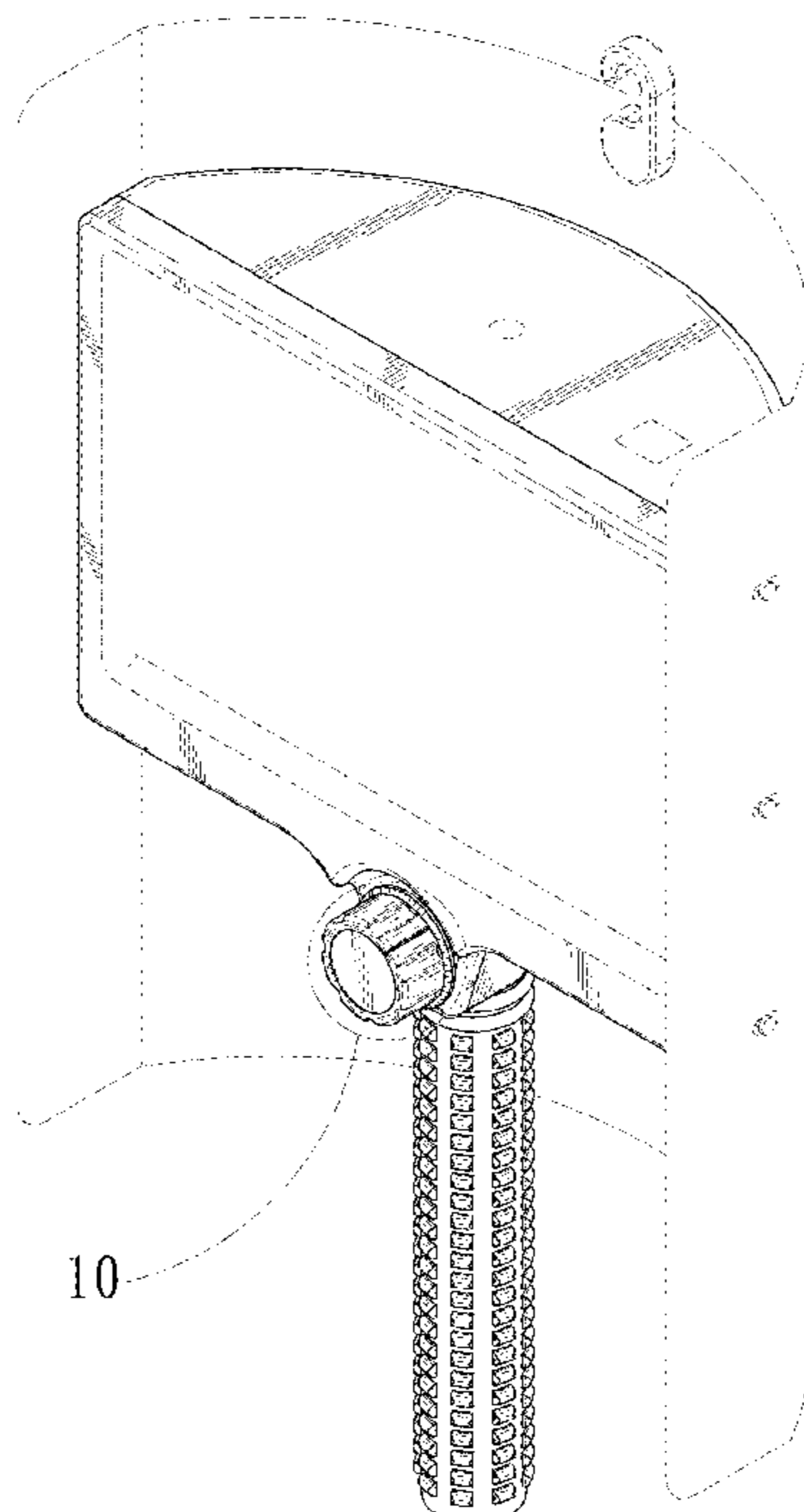
FIG. 8 is a top plan view thereof.

FIG. 9 is a bottom plan view thereof; and,

FIG. 10 is a partial enlarged view of an area labeled 10 in FIG. 1 comprising an adjusting knob.

The broken lines shown in the drawings are included for the purpose of illustrating portions of the welding mask that form no part of the claimed design.

1 Claim, 10 Drawing Sheets



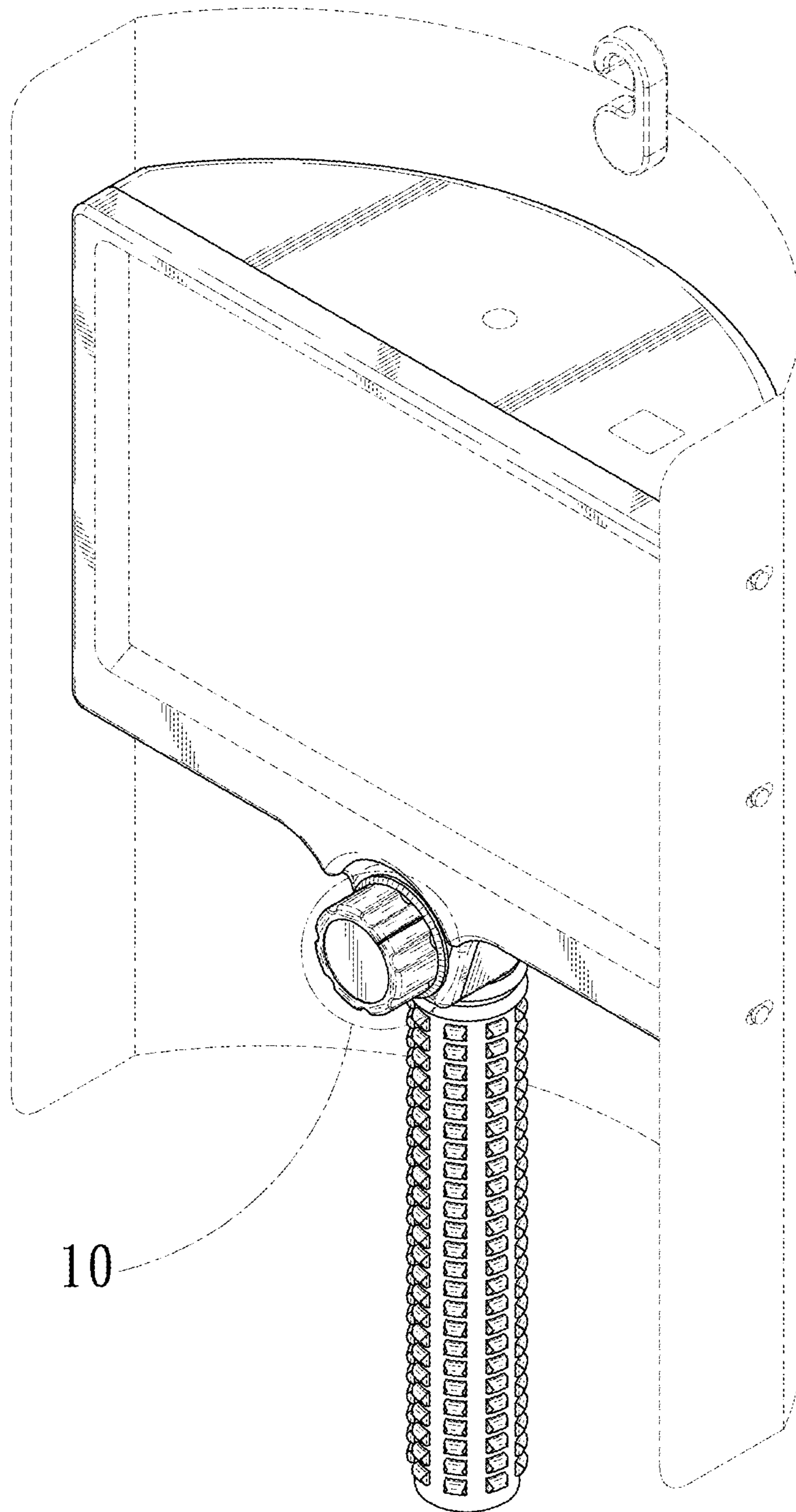


FIG. 1

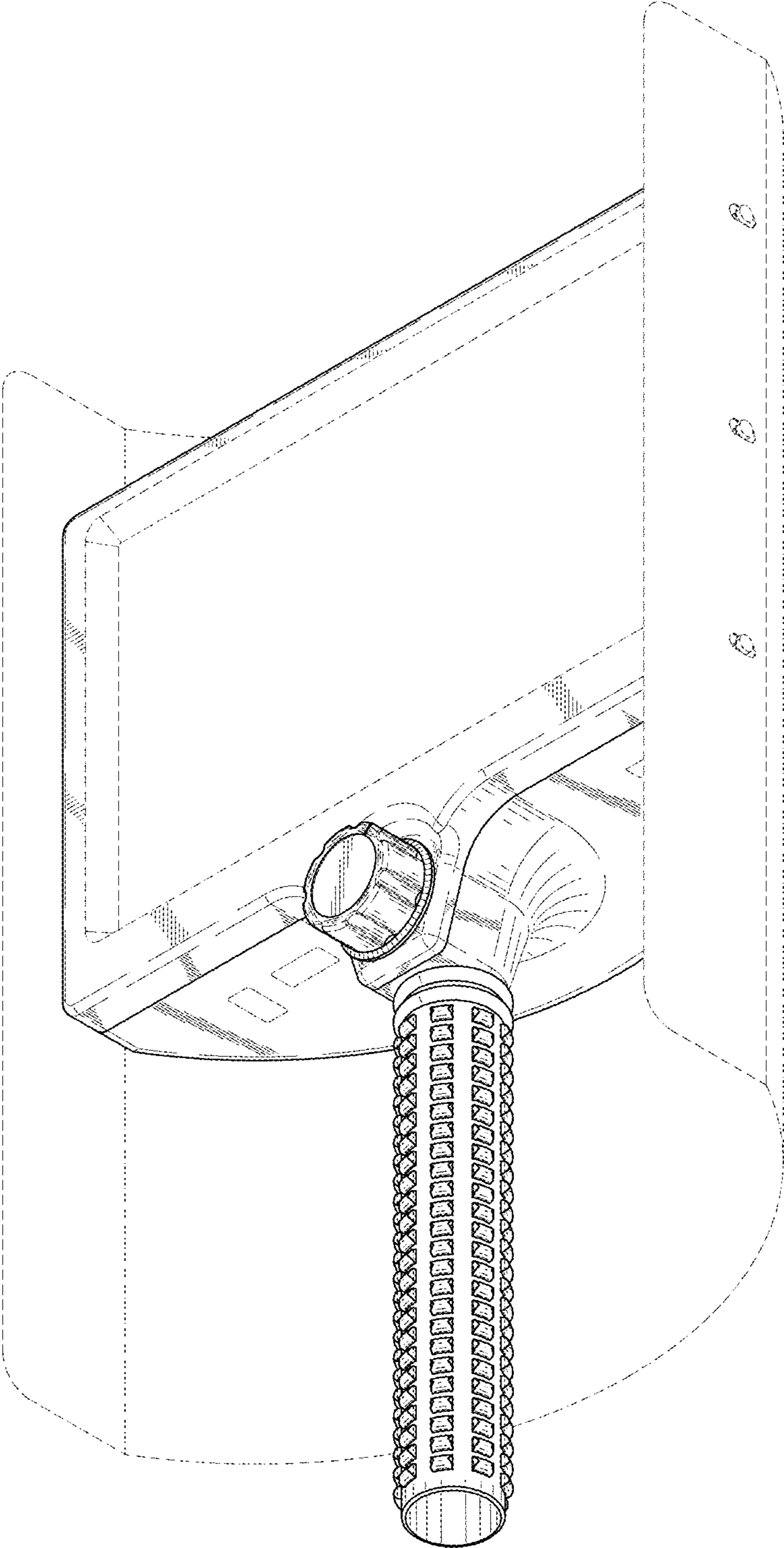


FIG. 2

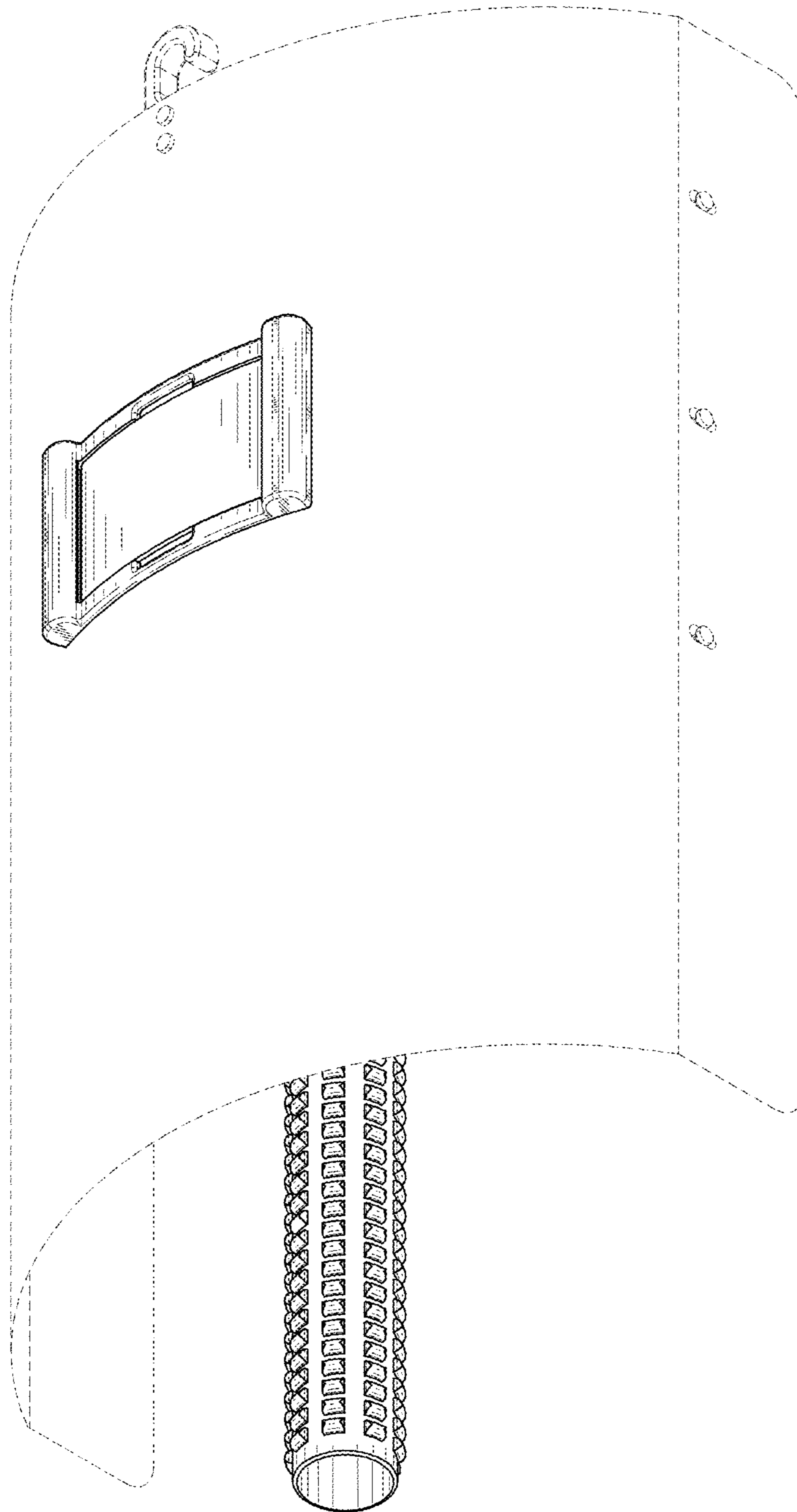


FIG. 3

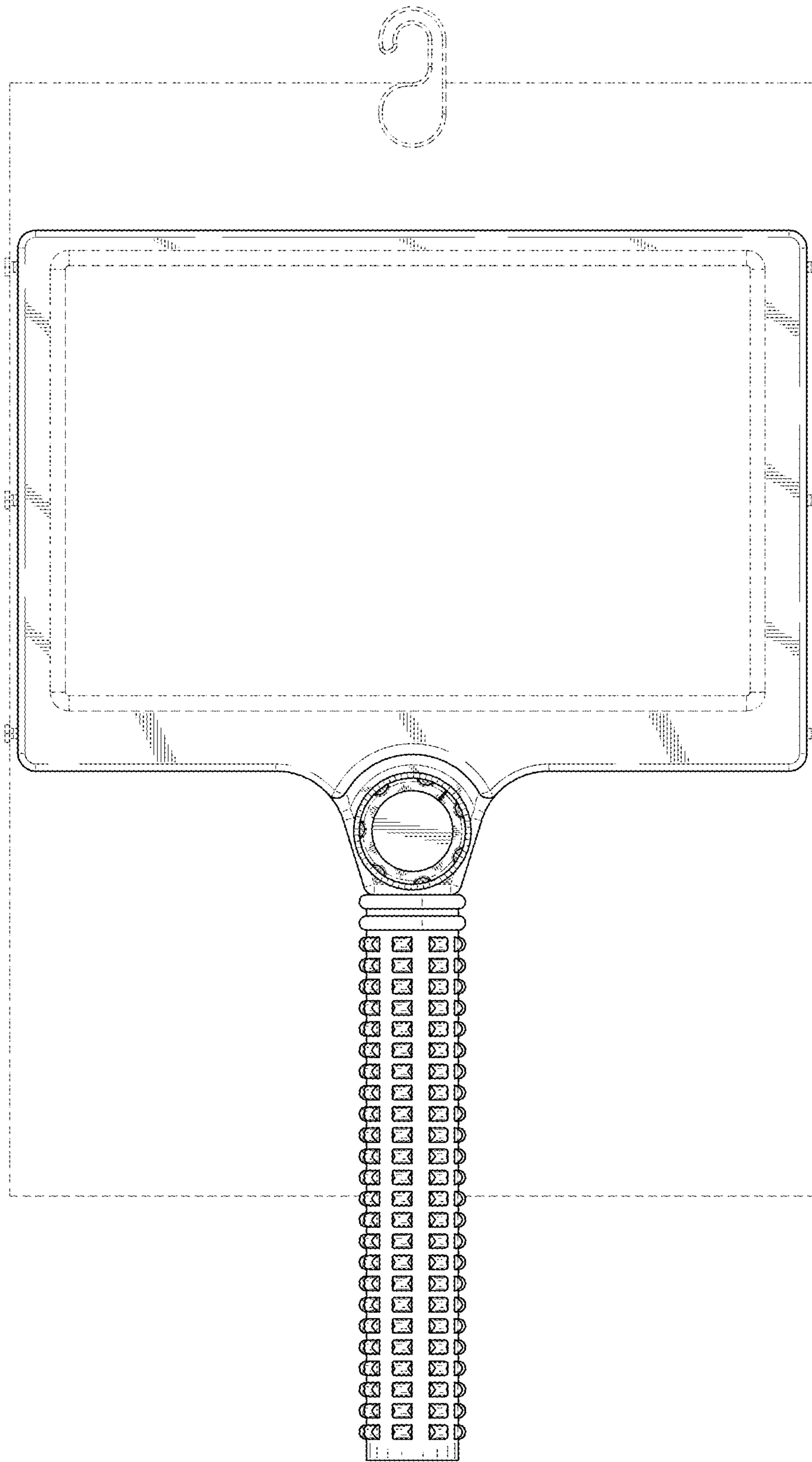


FIG. 4

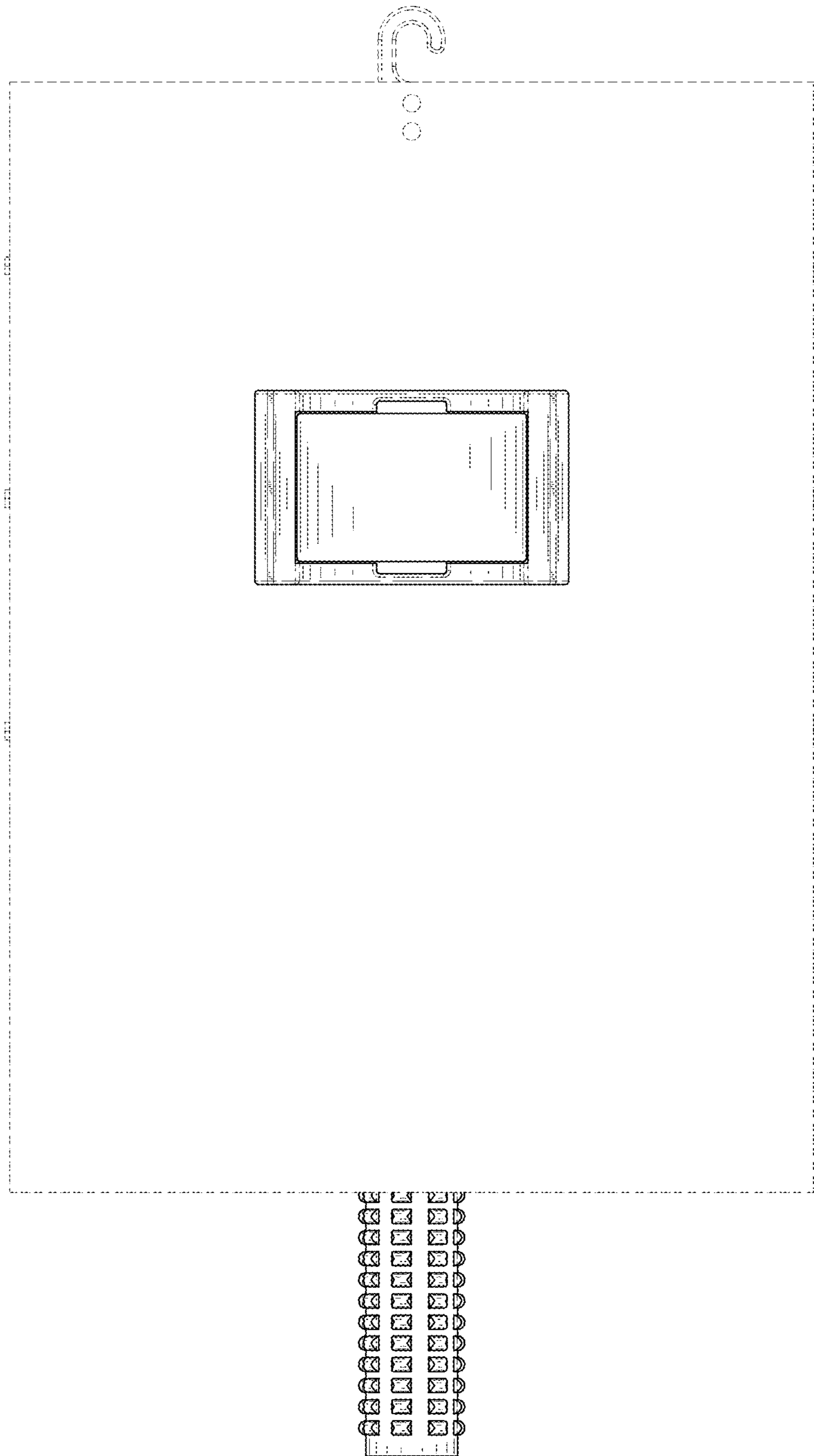


FIG. 5

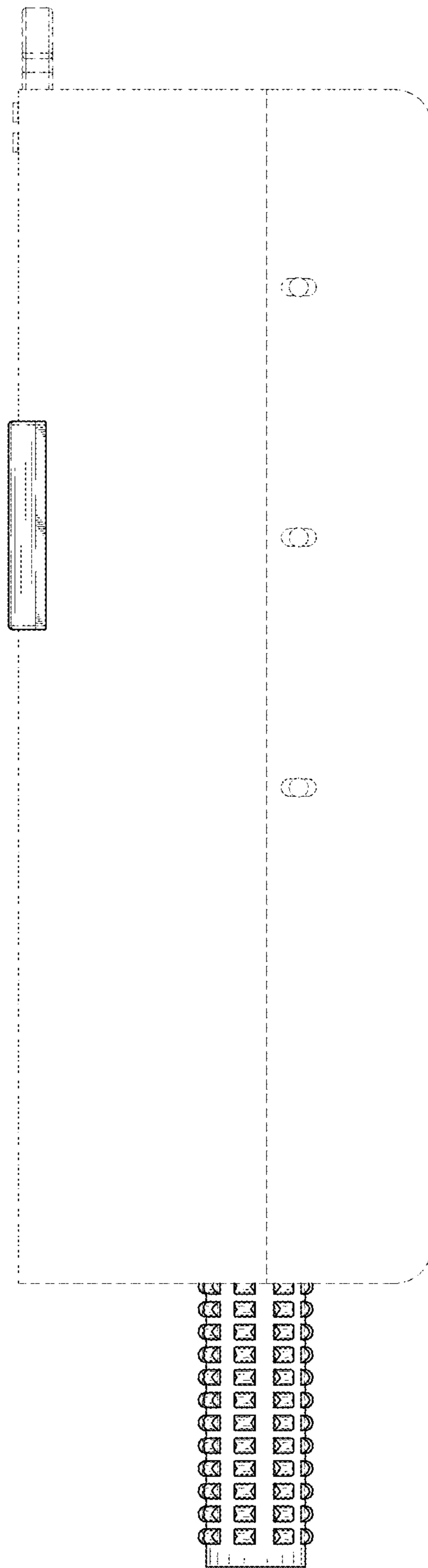


FIG. 6

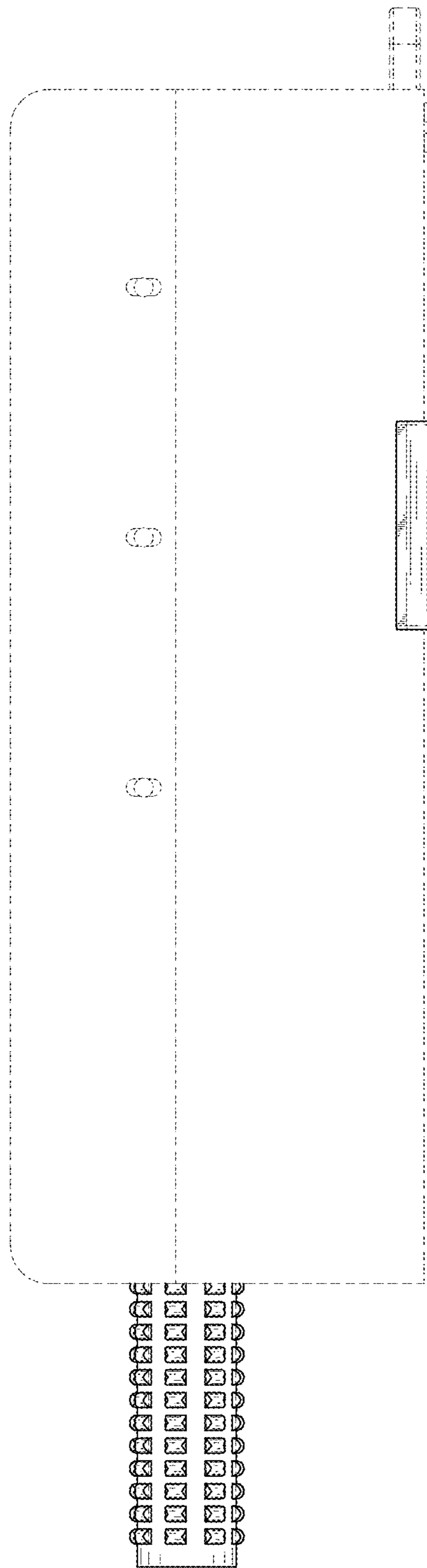


FIG. 7

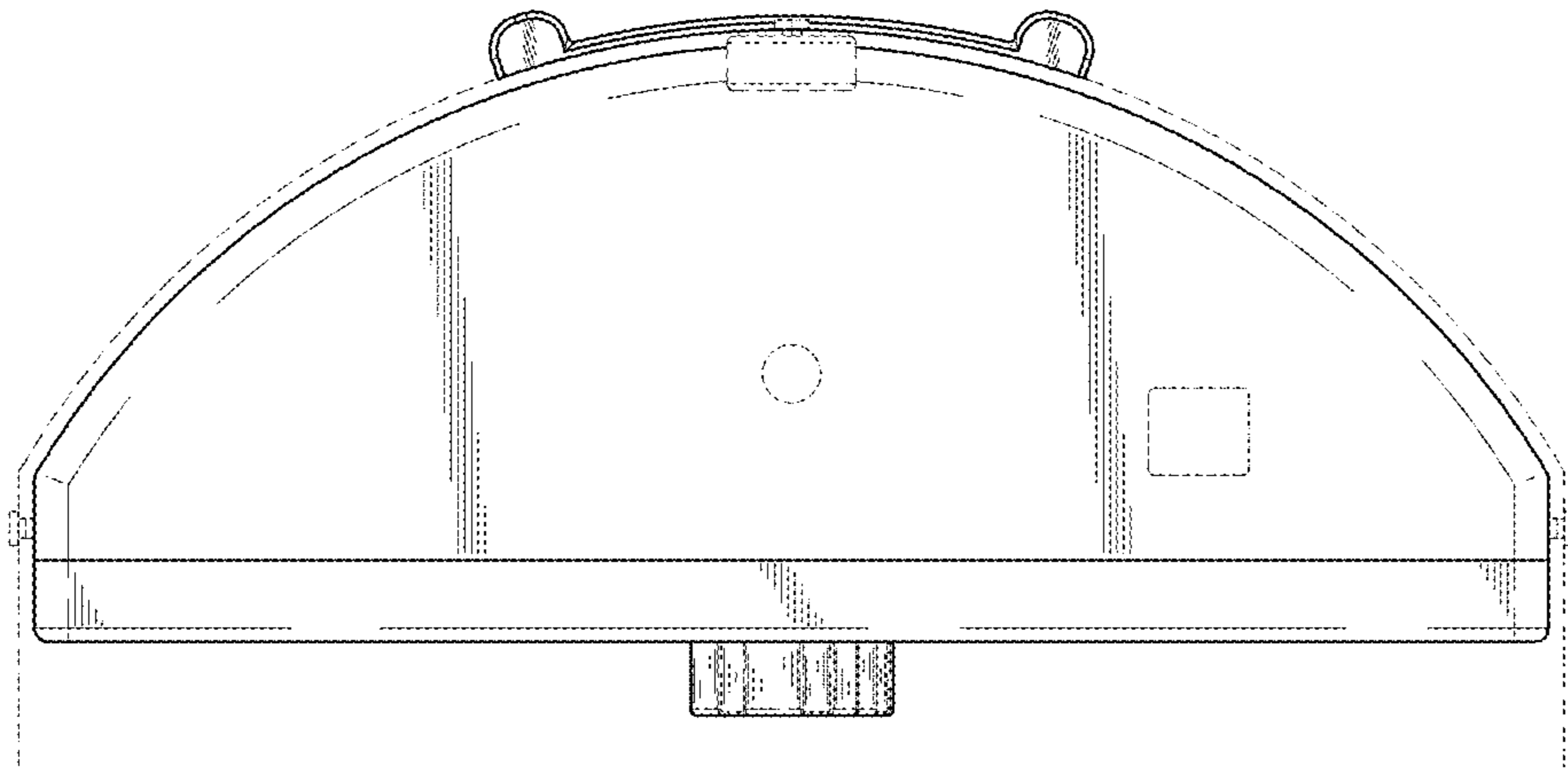


FIG. 8

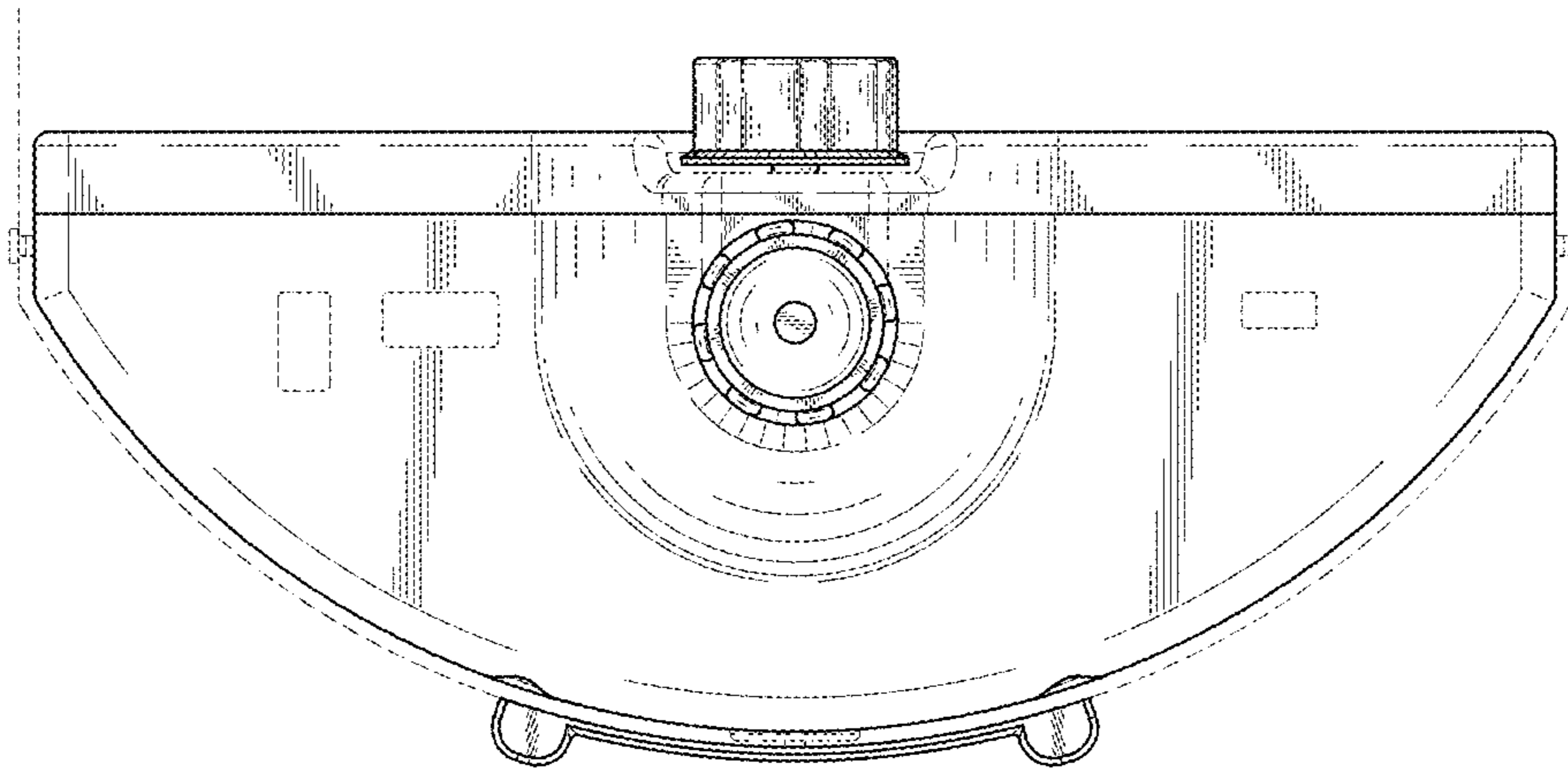


FIG. 9

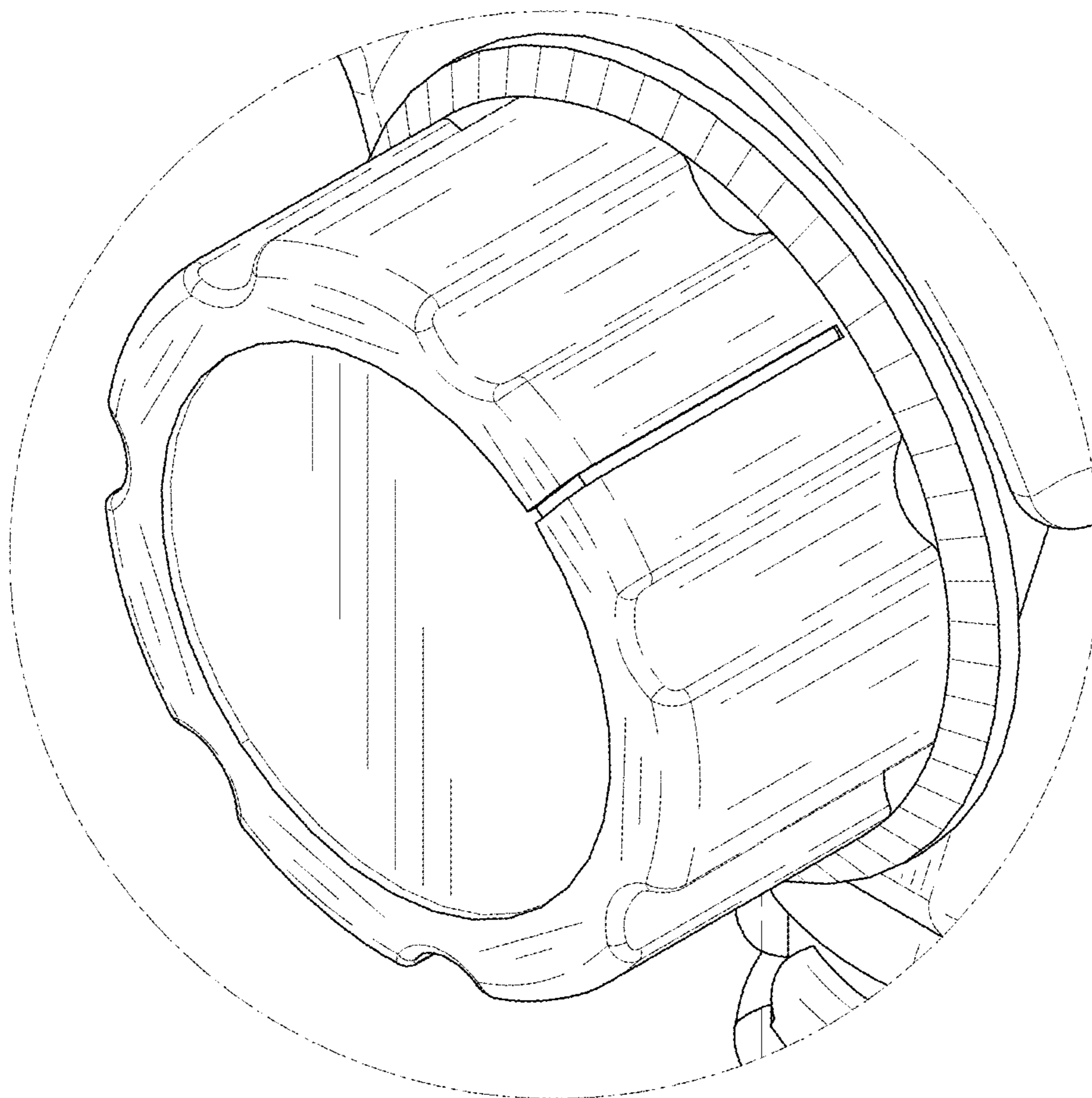


FIG. 10