



US00D967542S

(12) **United States Design Patent**
Natsume et al.

(10) **Patent No.:** **US D967,542 S**
(45) **Date of Patent:** **** Oct. 18, 2022**

- (54) **HARD HAT**
- (71) Applicant: **Magic Leap, Inc.**, Plantation, FL (US)
- (72) Inventors: **Shigeru Natsume**, Weston, FL (US);
Sebastian Gonzalo Arrieta Gunther,
Fort Lauderdale, FL (US)
- (73) Assignee: **Magic Leap, Inc.**, Plantation, FL (US)
- (**) Term: **15 Years**
- (21) Appl. No.: **29/725,560**
- (22) Filed: **Feb. 26, 2020**
- (51) **LOC (13) Cl.** **02-03**
- (52) **U.S. Cl.**
USPC **D29/102**
- (58) **Field of Classification Search**
USPC D29/102-111, 122
CPC A42B 3/00; A42B 3/0433; A42B 3/06;
A42B 3/066; A42B 3/227; A42B 3/04;
A42B 3/14; A42B 3/22; A42B 3/30;
A42B 3/003; A42B 3/10; A42B 3/12;
A42B 3/121; A42B 3/18; A63B 71/10
See application file for complete search history.

(56) **References Cited**

U.S. PATENT DOCUMENTS

- D414,585 S * 9/1999 Ho D29/102
- D424,246 S * 5/2000 Ho D29/102
- 6,073,272 A * 6/2000 Ball A42B 3/16
2/423
- 6,292,952 B1 * 9/2001 Watters A42B 3/324
2/412
- D530,043 S * 10/2006 Foote D29/102
- D538,980 S * 3/2007 Grepper D29/102
- D556,951 S * 12/2007 Gath D29/102

- 7,865,976 B2 * 1/2011 Beddoe A42C 2/002
2/171.4
- D683,904 S * 6/2013 Ho D29/102
- D690,882 S * 10/2013 Nowikow D29/107
- D696,462 S * 12/2013 Saavedra D29/105
- D745,998 S * 12/2015 Sansalone D29/102
- D748,866 S * 2/2016 Tutor D29/102
- D779,127 S * 2/2017 Sanchez D29/104
- D795,500 S * 8/2017 Chilson D29/102
- D809,713 S * 2/2018 Ciaravino D29/102
- D817,553 S * 5/2018 Aaskov D29/102
- 10,383,384 B2 * 8/2019 Zhavoronkov G08B 21/0446
- D896,977 S * 9/2020 Chen D29/102
- D903,945 S * 12/2020 Padgett D29/102
- D944,246 S * 2/2022 Natsume D14/372
- 2009/0049586 A1 * 2/2009 Wirthenstaetter A42B 3/16
2/423

* cited by examiner

Primary Examiner — Kimberly Barnes

(74) *Attorney, Agent, or Firm* — Fish & Richardson P.C.

(57) **CLAIM**

The ornamental design for a hard hat, as shown and described.

DESCRIPTION

FIG. 1 is a top perspective view of a hard hat showing our new design.

FIG. 2 is a front view thereof.

FIG. 3 is a back view thereof.

FIG. 4 is a left side view thereof.

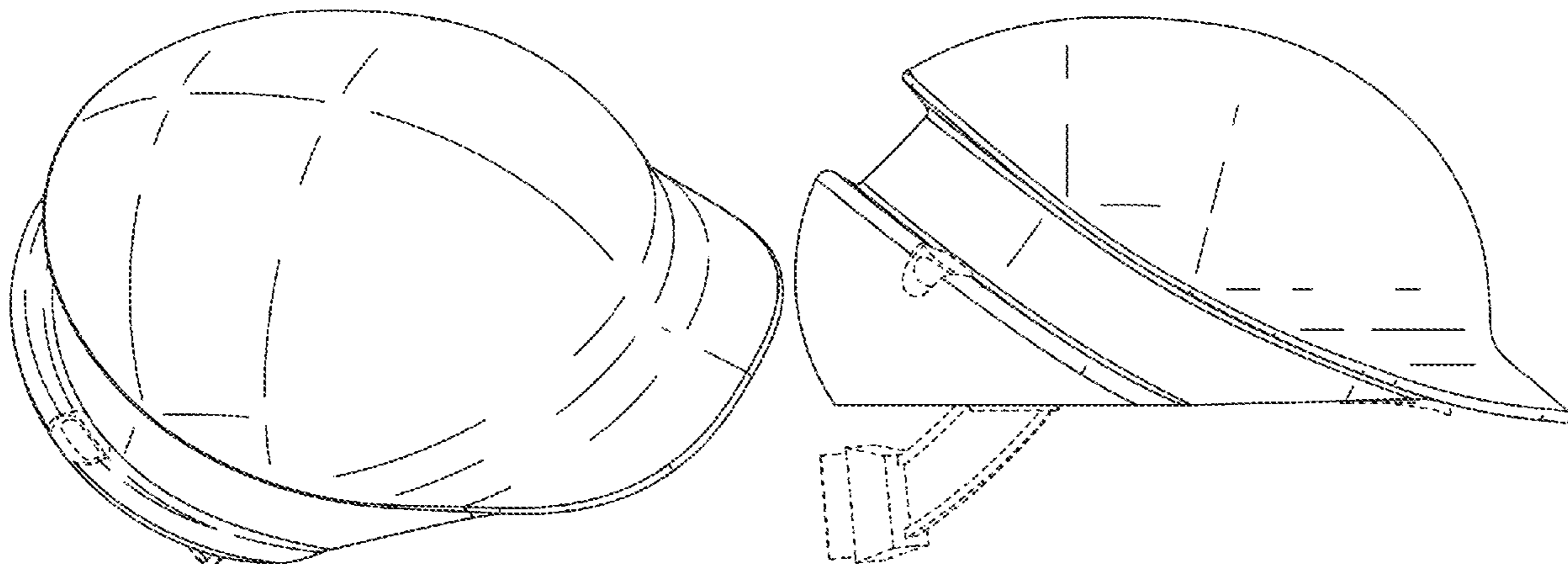
FIG. 5 is a right side view thereof.

FIG. 6 is a top view thereof; and,

FIG. 7 is a bottom view thereof.

The broken lines illustrate environmental features that form no part of the claimed design.

1 Claim, 4 Drawing Sheets



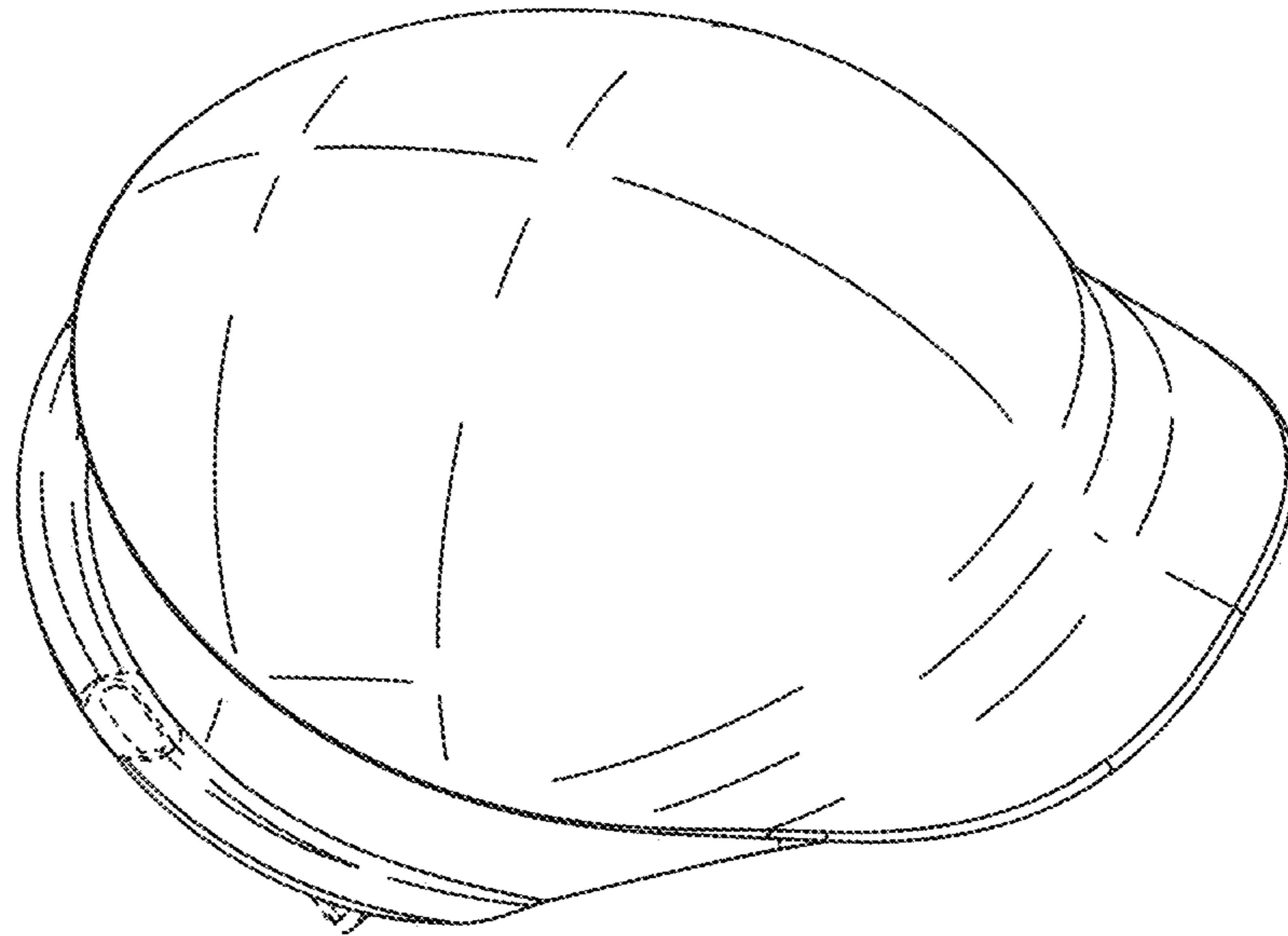


FIG. 1

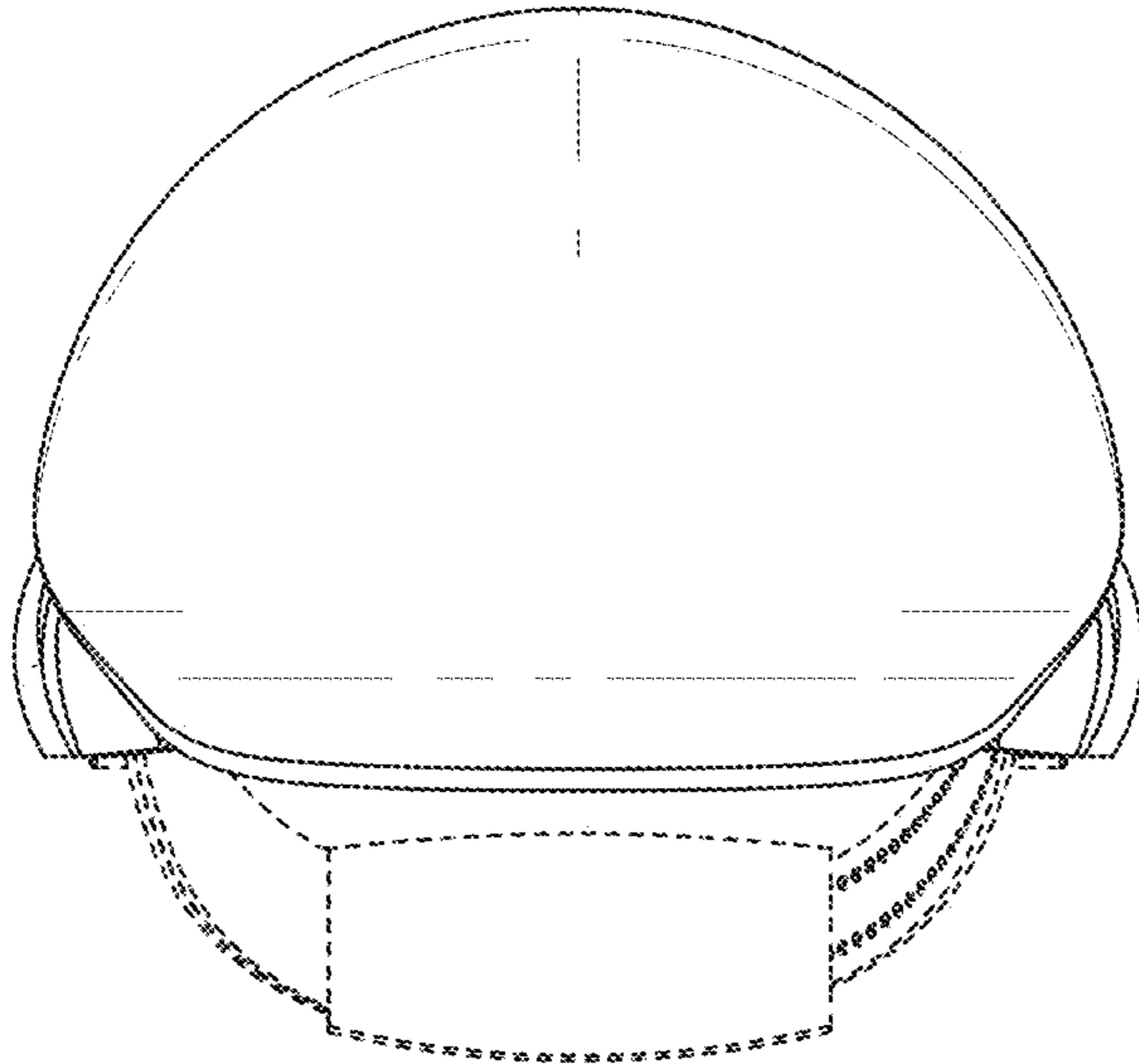


FIG. 2

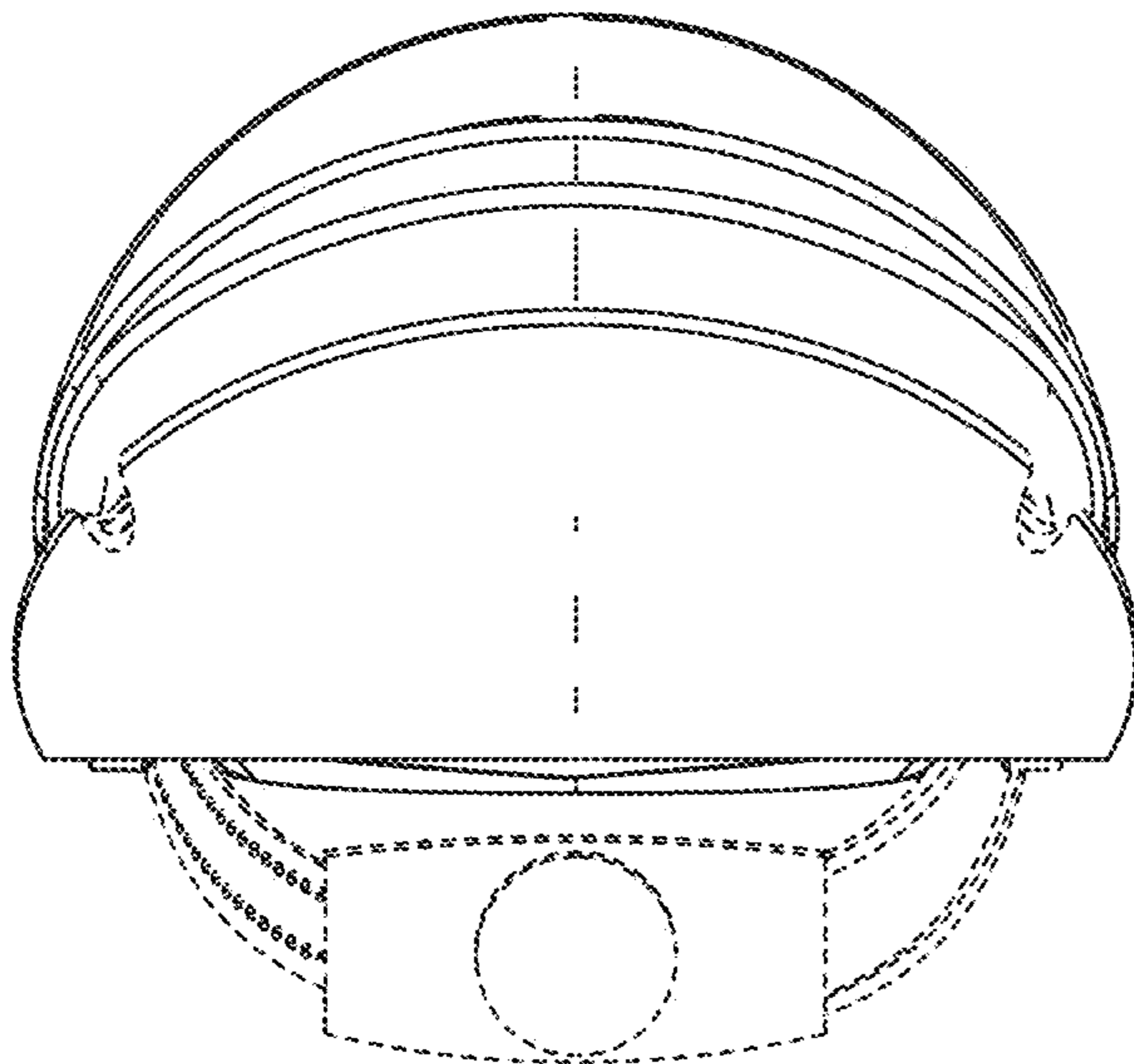


FIG. 3

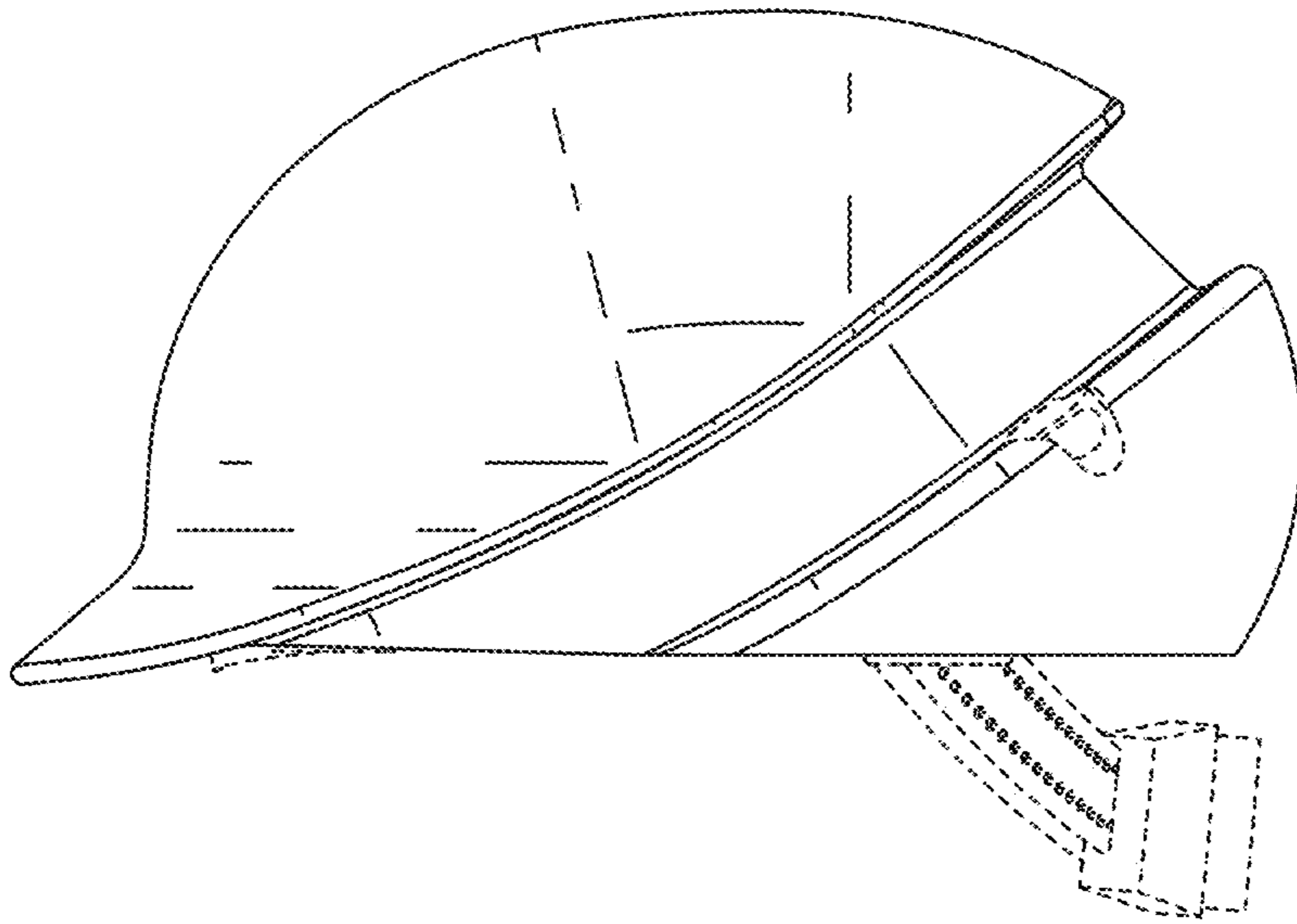


FIG. 4

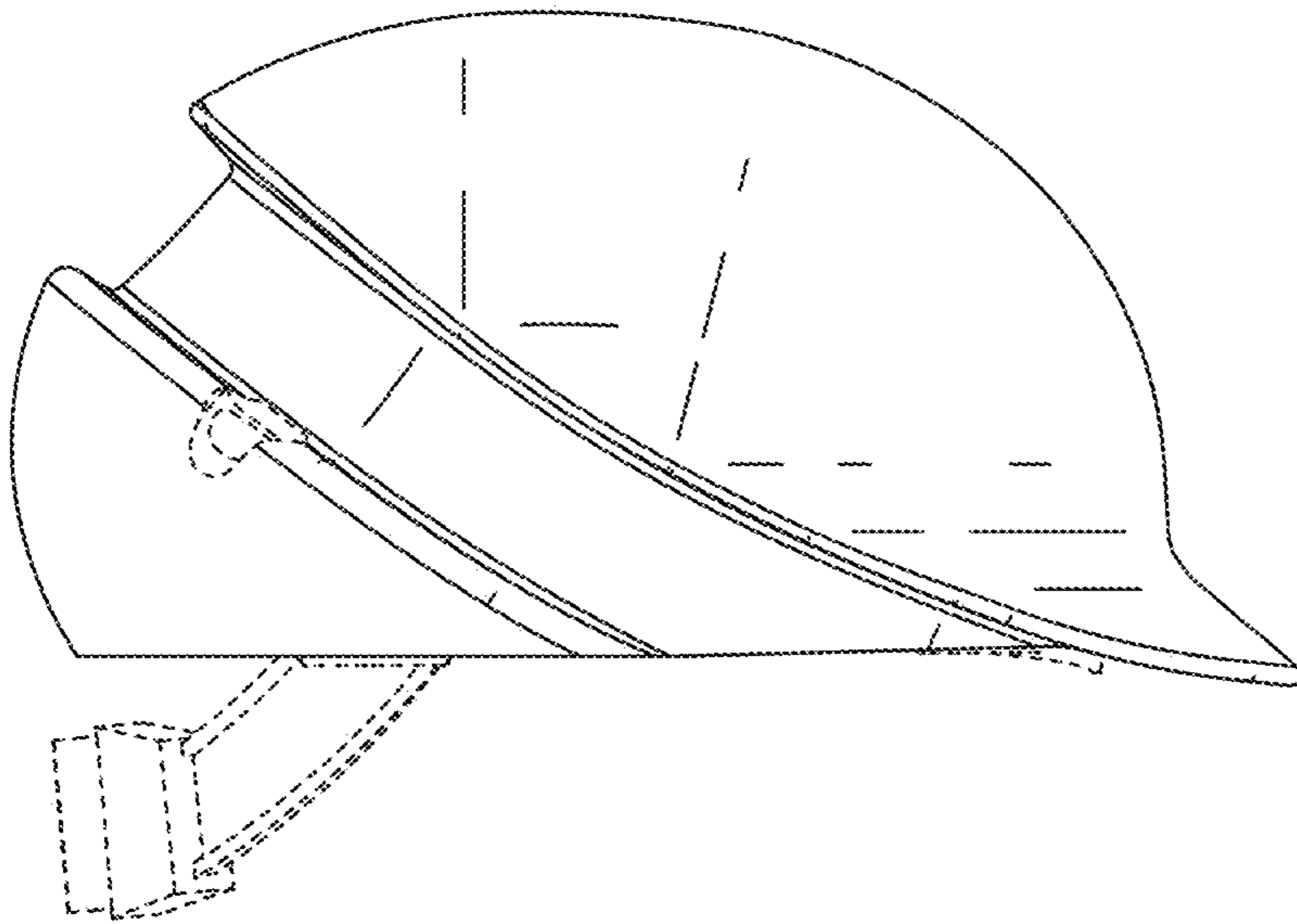


FIG. 5

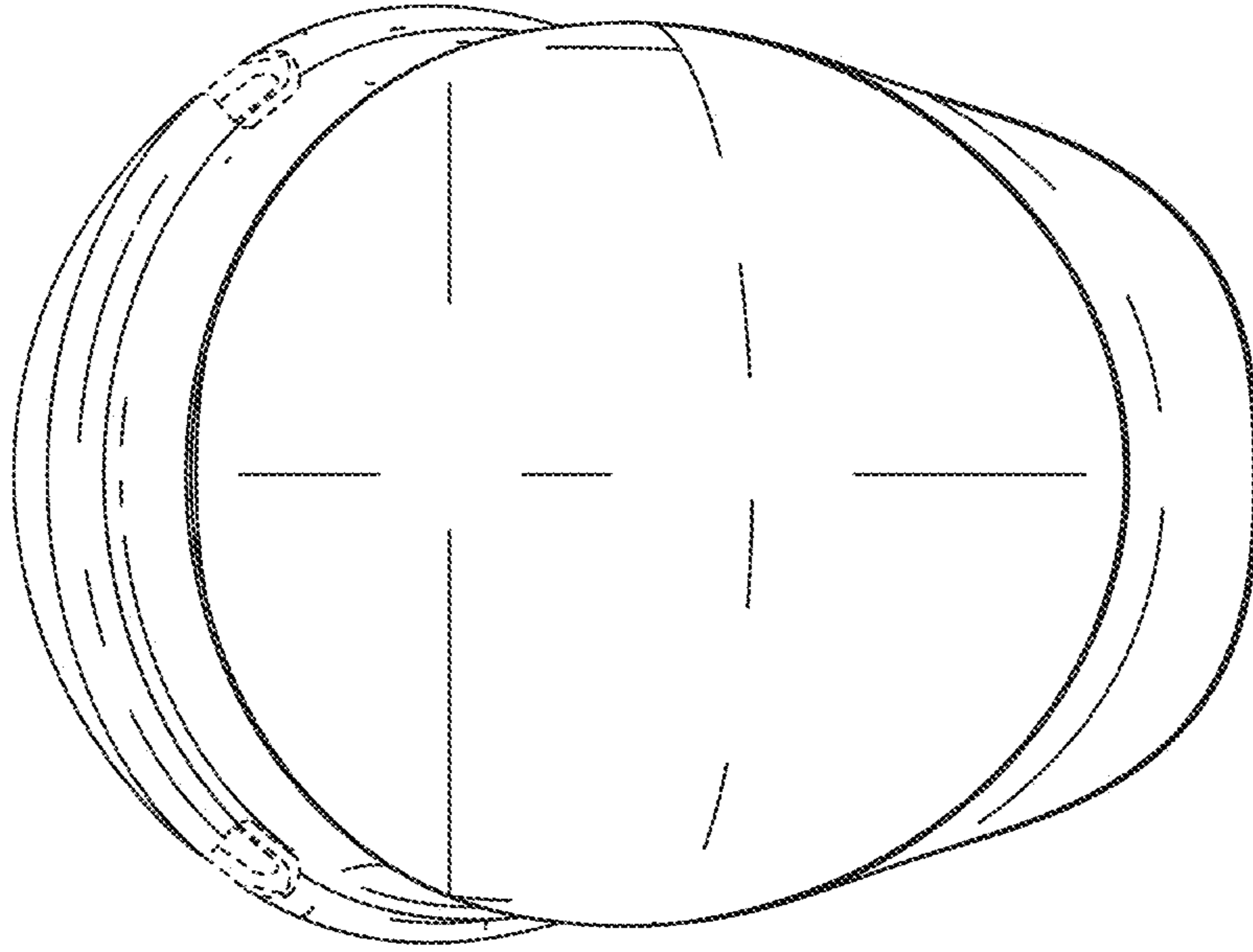


FIG. 6

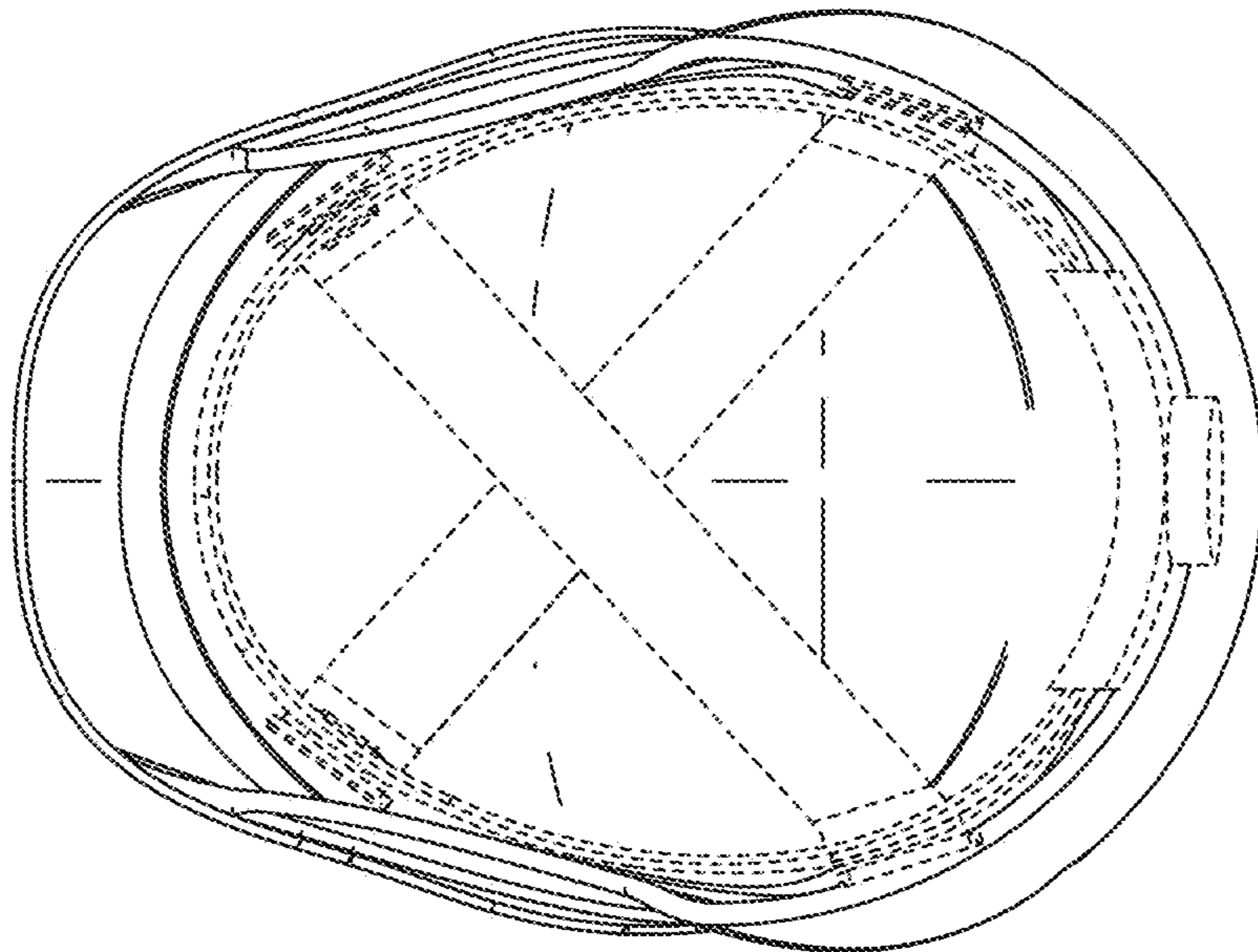


FIG. 7