



US00D967540S

(12) **United States Design Patent** (10) **Patent No.:** **US D967,540 S**
Chen (45) **Date of Patent:** **** *Oct. 18, 2022**

- (54) **COSMETIC PACKAGING**
- (71) Applicant: **Markwins Beauty Products, Inc.**, City of Industry, CA (US)
- (72) Inventor: **Sung-Tsei Chen**, City of Industry, CA (US)
- (73) Assignee: **Markwins Beauty Products, Inc.**, City of Industry, CA (US)

D361,159 S *	8/1995	Feng	D19/902
D366,730 S *	1/1996	Chen	D28/86
D368,555 S *	4/1996	Wacker	D28/88
D682,695 S *	5/2013	Lampman	D9/451
D692,184 S *	10/2013	DeMarco	D28/88
D785,871 S *	5/2017	Staab	D28/89
D874,274 S *	2/2020	Katopis	D9/451
D878,681 S *	3/2020	McGrath	D28/90
D906,594 S *	12/2020	McGrath	D28/89
2020/0015570 A1 *	1/2020	McGrath	A61Q 1/06

(*) Notice: This patent is subject to a terminal disclaimer.

(**) Term: **15 Years**

(21) Appl. No.: **29/707,464**

(22) Filed: **Sep. 27, 2019**

(30) **Foreign Application Priority Data**

Mar. 29, 2019 (CN) 201930139261.5

(51) **LOC (13) Cl.** **28-03**

(52) **U.S. Cl.**
USPC **D28/90**

(58) **Field of Classification Search**
USPC D28/4, 8.1, 9, 76, 85-90, 91.1, 99;
D9/451, 629, 503-504, 500, 529, 575,
D9/686, 723
CPC A45D 33/22; A45D 33/24; A45D 33/26;
A45D 33/28; A45D 40/00; A45D 40/20;
A45D 40/24; A45D 34/00; A45D 34/04;
A45D 34/06; A45D 34/041; A45D 40/02;
A45D 40/06; A45D 40/18; A45D 40/262
See application file for complete search history.

(56) **References Cited**

U.S. PATENT DOCUMENTS

D141,199 S *	5/1945	Basescu	D28/77
D320,288 S *	9/1991	Chen	D28/87
D343,474 S *	1/1994	Chen	D28/87

OTHER PUBLICATIONS

Dupe Alert_New! Wet N Wild Mega Last Matte Lipstick_ LaMonicas Lab—YouTube, published on Mar. 20, 2020, retrieved on Apr. 6, 2021, retrieved from the Internet URL: <https://www.youtube.com/watch?v=135UEGQVcg4>.*

* cited by examiner

Primary Examiner — Jennifer Rivard

Assistant Examiner — Alison M Ofstun

(74) *Attorney, Agent, or Firm* — Danton K. Mak

(57) **CLAIM**

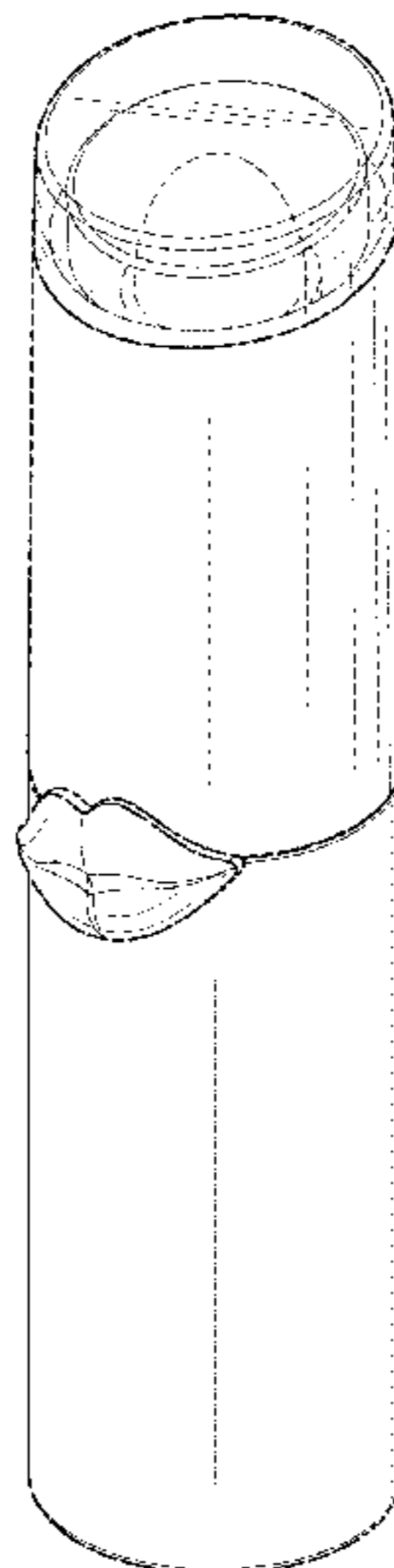
The ornamental design for a cosmetic packaging, as shown and described.

DESCRIPTION

FIG. 1 is a perspective view of a cosmetic packaging showing my new design;
FIG. 2 is a front view thereof;
FIG. 3 is a back view of thereof;
FIG. 4 is a right view thereof;
FIG. 5 is a left view thereof;
FIG. 6 is a top view thereof;
FIG. 7 is a bottom view thereof; and,
FIG. 8 is a front view thereof, wherein the cap is removed to show portions of the design not clearly visible when combined.

The broken lines in the figures illustrate portions of the article which form no part of the claimed design.

1 Claim, 7 Drawing Sheets



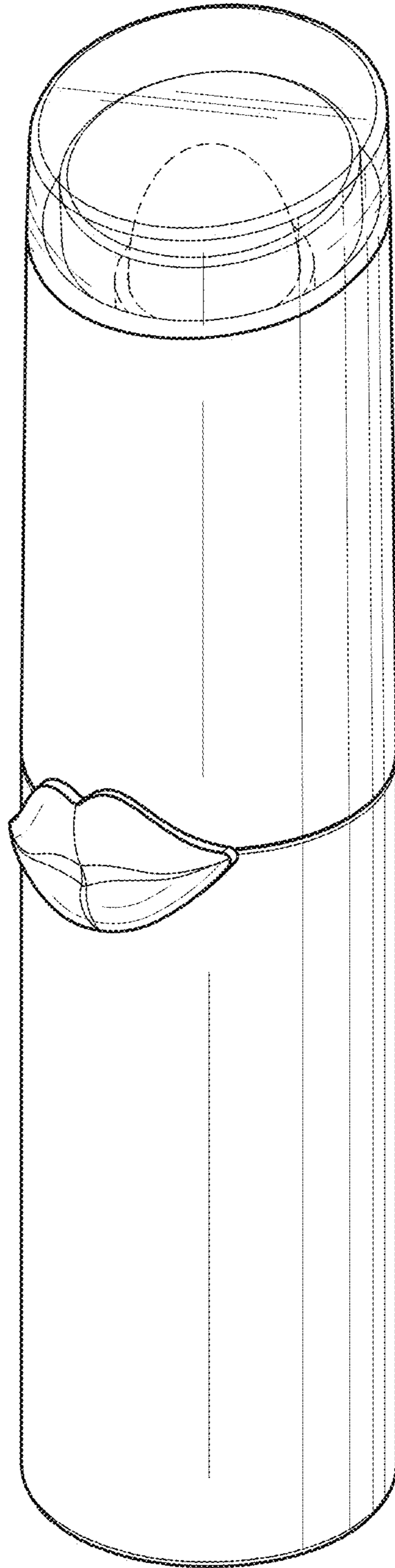


FIG. 1

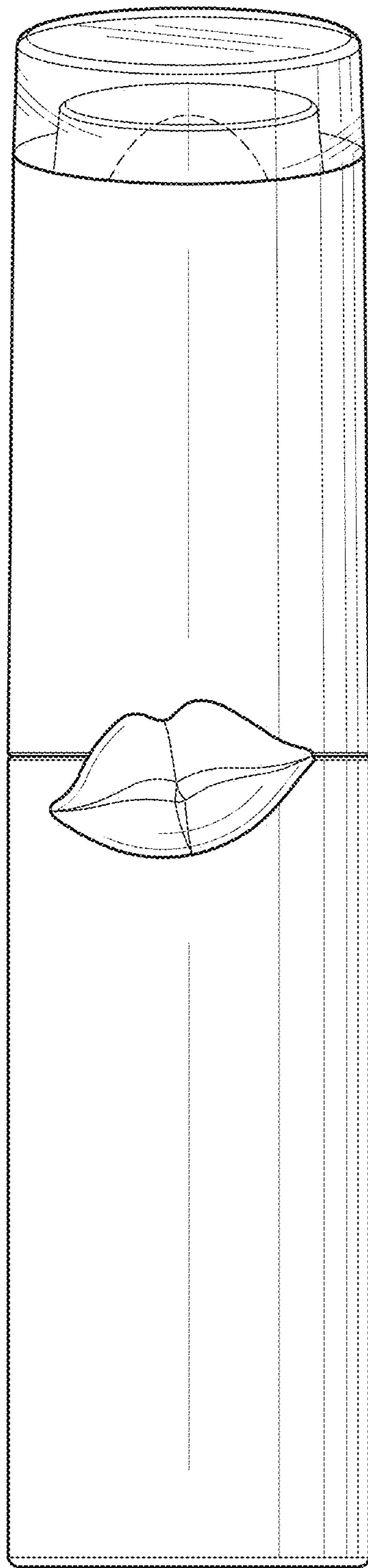


FIG. 2

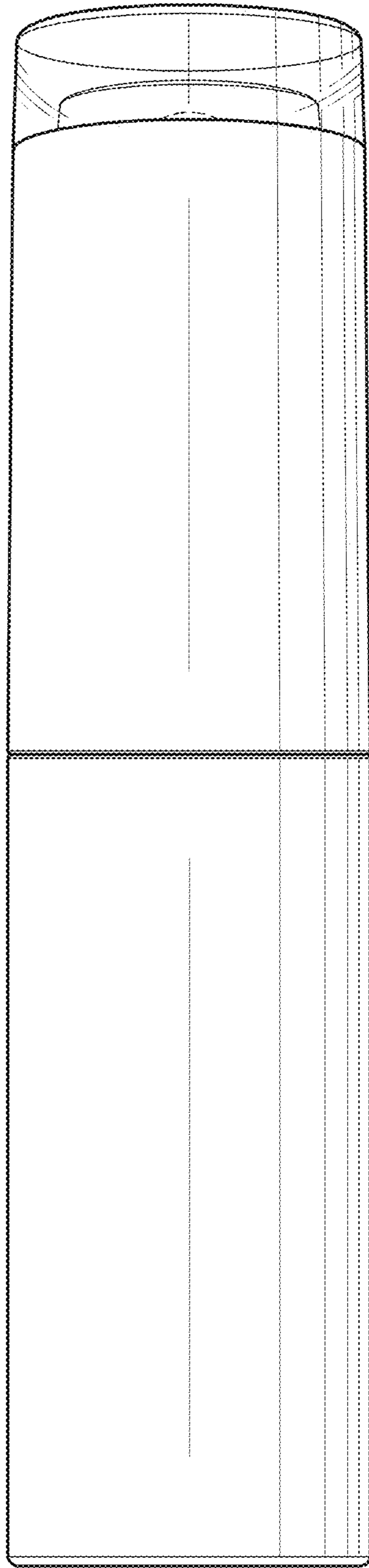


FIG. 3

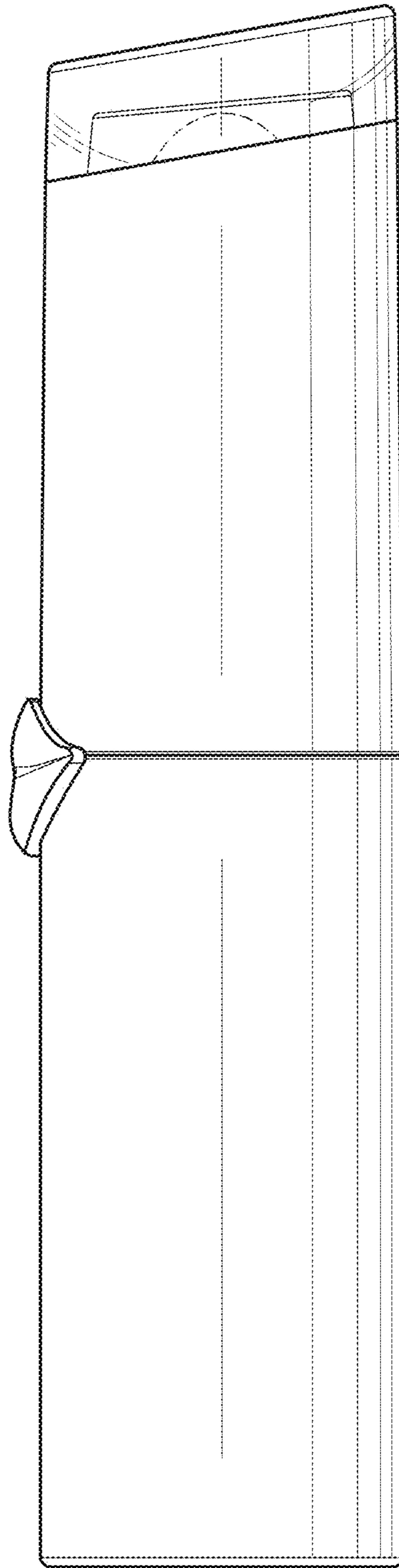


FIG. 4

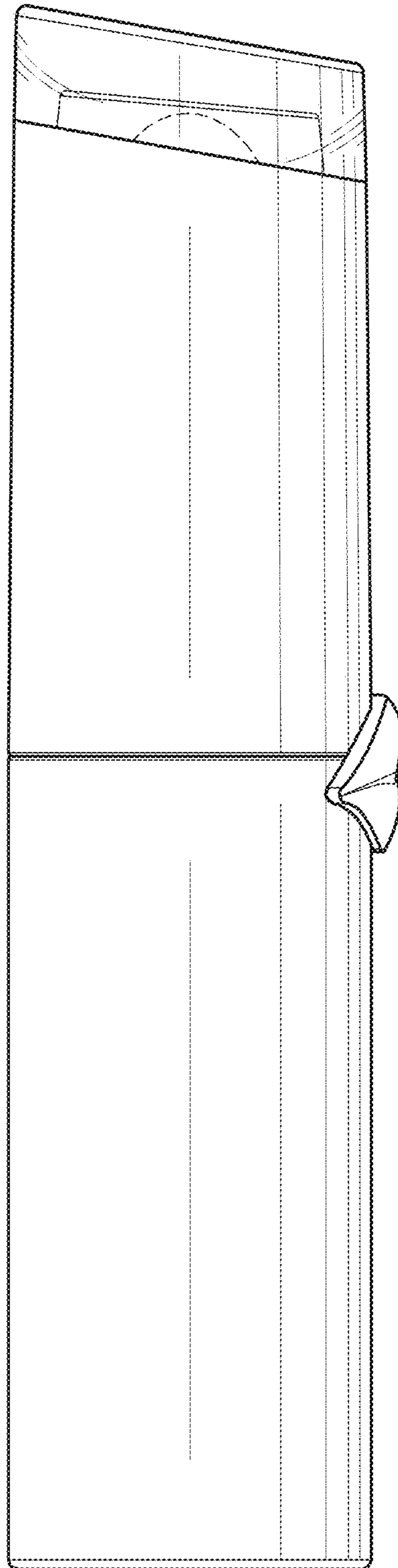


FIG. 5

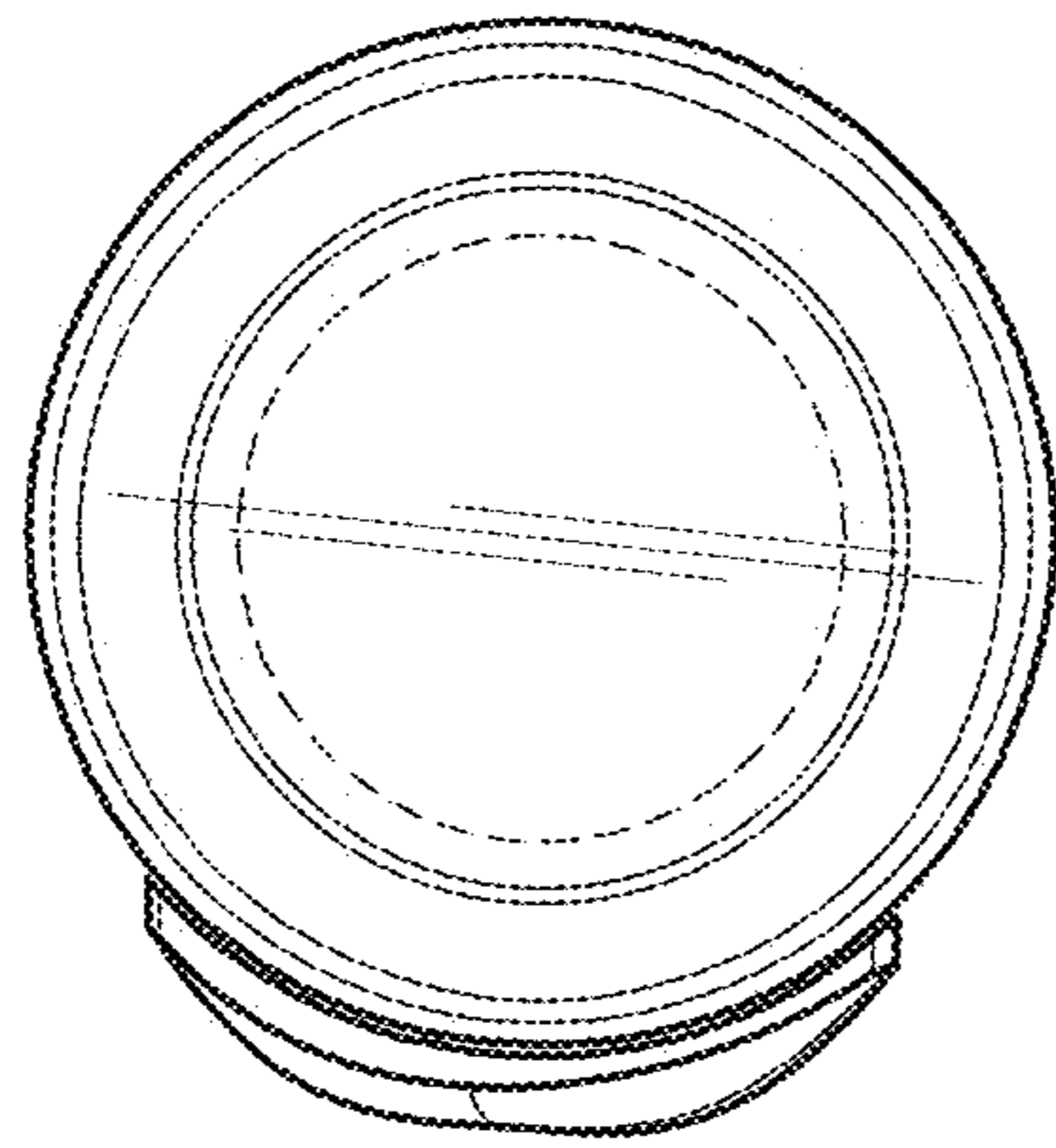


FIG. 6

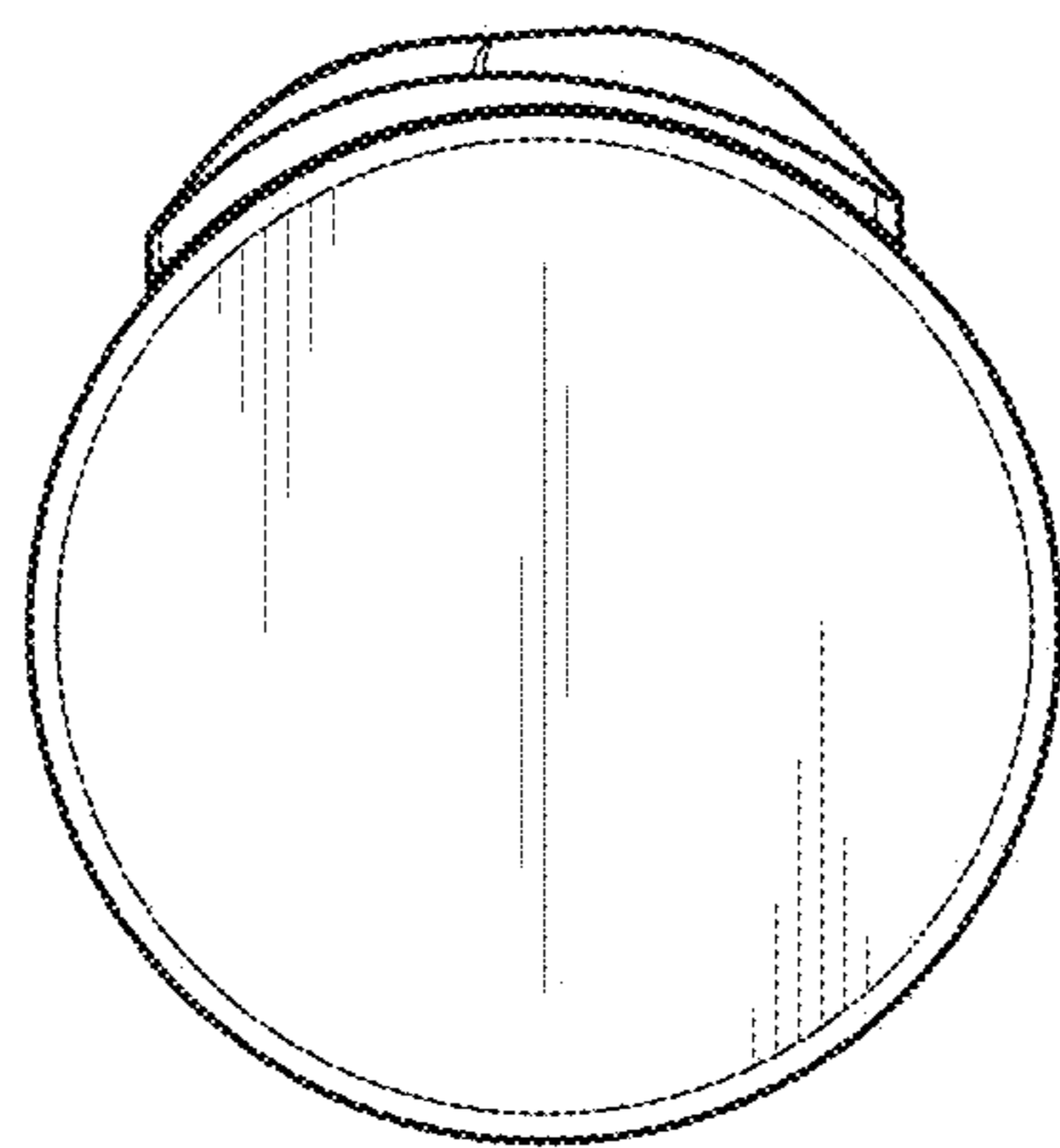


FIG. 7

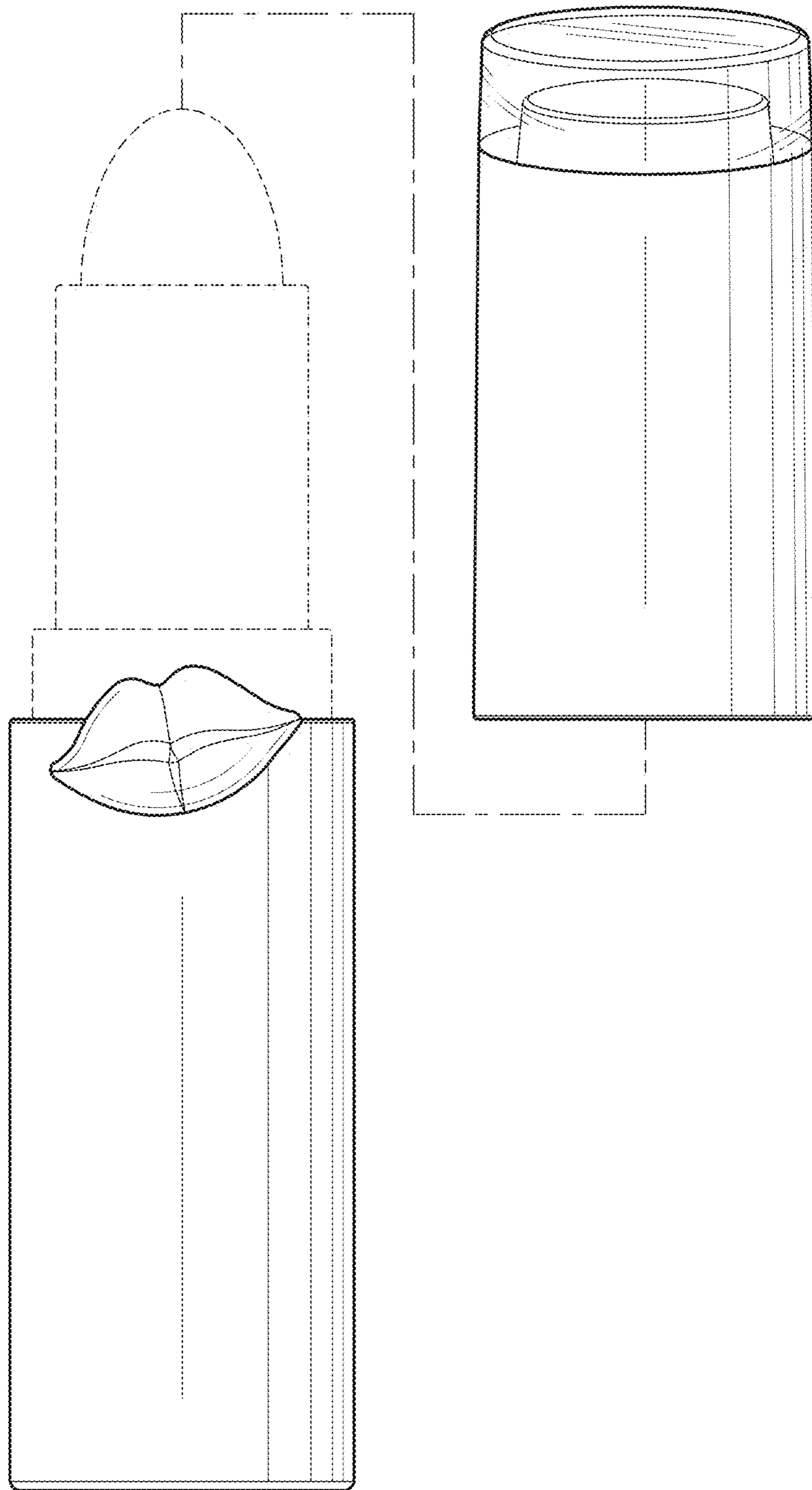


FIG. 8