

US00D967528S

(12) **United States Design Patent** (10) **Patent No.:** **US D967,528 S**
Goeder et al. (45) **Date of Patent:** **** Oct. 18, 2022**

(54) **SHAVING RAZOR CARTRIDGE**

(74) *Attorney, Agent, or Firm* — John M. Lipchitz

(71) Applicant: **The Gillette Company LLC**, Boston, MA (US)

(57) **CLAIM**

The ornamental design for a shaving razor cartridge, as shown and described.

(72) Inventors: **Philipp Goeder**, Frankfurt (DE);
Jonathon Albert Riehle, Brighton, MA (US); **Jack Anthony Washington**, Mendon, MA (US)

DESCRIPTION

(73) Assignee: **The Gillette Company LLC**, Boston, MA (US)

FIG. 1 is a front perspective view of a shaving razor cartridge showing our new design;
FIG. 2 is a front view thereof;
FIG. 3 is a rear view thereof;
FIG. 4 is a right view thereof;
FIG. 5 is a left view thereof;
FIG. 6 is a top view thereof;
FIG. 7 is a bottom view thereof;
FIG. 8 is a rear perspective view thereof;
FIG. 9 is a bottom perspective view thereof;
FIG. 10 is a front perspective view of another embodiment of a shaving razor cartridge showing our new design;
FIG. 11 is a front view thereof;
FIG. 12 is a rear view thereof;
FIG. 13 is a right view thereof;
FIG. 14 is a left view thereof;
FIG. 15 is a top view thereof;
FIG. 16 is a bottom view thereof;
FIG. 17 is a rear perspective view thereof;
FIG. 18 is a bottom perspective view thereof;
FIG. 19 is a front perspective view of another embodiment of a shaving razor cartridge showing our new design;
FIG. 20 is a front view thereof;
FIG. 21 is a rear view thereof;
FIG. 22 is a right view thereof;
FIG. 23 is a left view thereof;
FIG. 24 is a top view thereof;
FIG. 25 is a bottom view thereof;
FIG. 26 is a rear perspective view thereof; and,
FIG. 27 is a bottom perspective view thereof.
The broken lines illustrate structure or features that form no part of the claimed design.

(**) Term: **15 Years**

(21) Appl. No.: **29/738,823**

(22) Filed: **Jun. 19, 2020**

(51) **LOC (13) Cl.** **28-03**

(52) **U.S. Cl.**
USPC **D28/47; D28/54**

(58) **Field of Classification Search**
USPC **D28/46-48, 54**

(Continued)

(56) **References Cited**

U.S. PATENT DOCUMENTS

589,513 A 9/1897 Strong.
770,767 A 9/1904 Mihills
(Continued)

FOREIGN PATENT DOCUMENTS

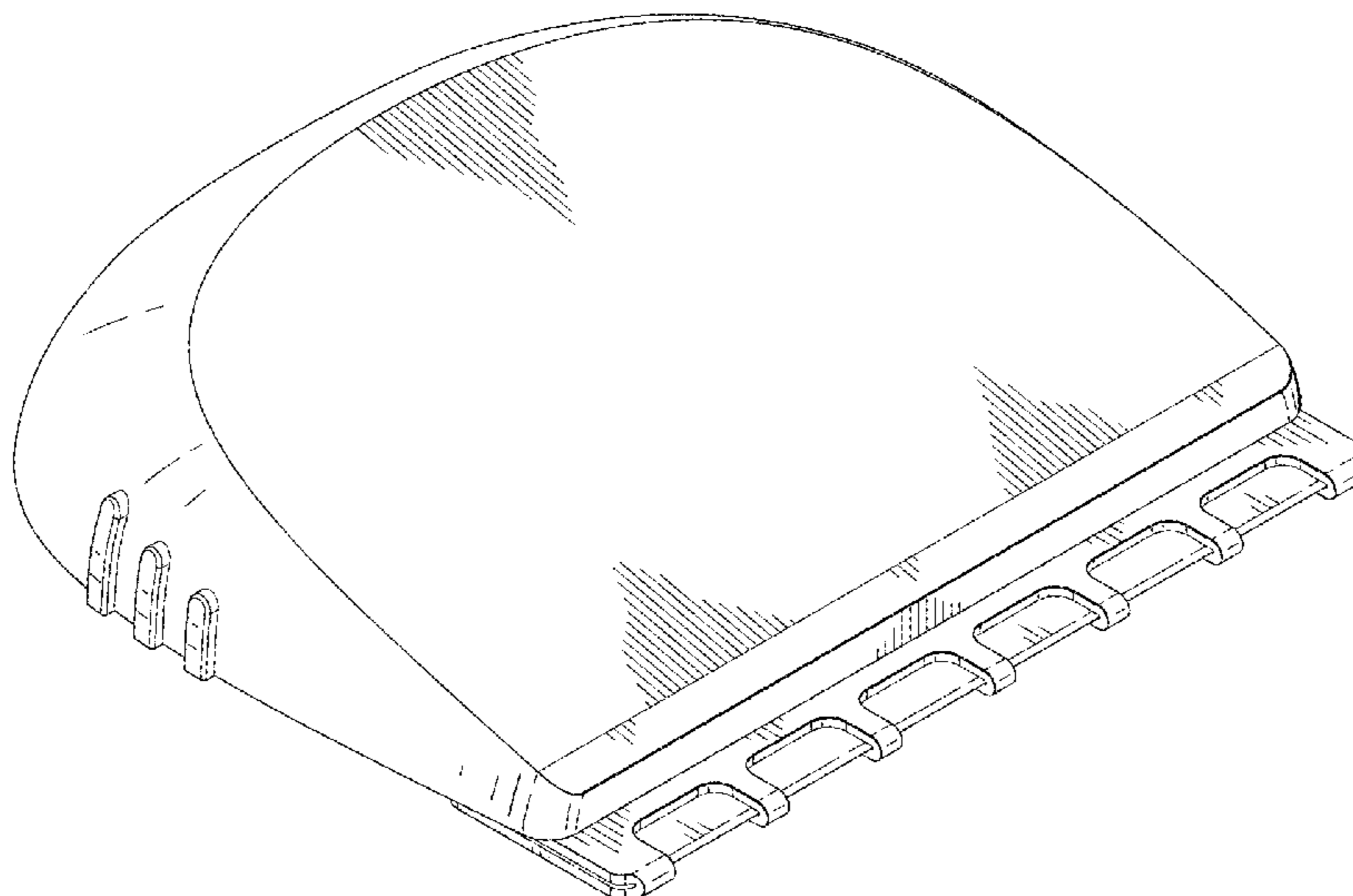
GB 160526 A 3/1921
GB 454245 A 9/1936

OTHER PUBLICATIONS

All Office Actions; U.S. Appl. No. 16/906,589.
(Continued)

Primary Examiner — Jennifer Rivard

1 Claim, 21 Drawing Sheets



(58) **Field of Classification Search**
 CPC . B26B 21/165; B26B 21/4018; B26B 21/521;
 B26B 21/52-528; B26B 21/22-38; B26B
 21/08; B26B 21/14
 See application file for complete search history.

(56) **References Cited**
 U.S. PATENT DOCUMENTS

843,148	A	2/1907	Jackson
913,005	A	2/1909	Lancellotte
915,989	A	3/1909	Moore
923,077	A	5/1909	Reichard
934,074	A	9/1909	Johnson
968,428	A	8/1910	Smith
1,024,348	A	4/1912	Lorenzen
1,033,373	A	7/1912	Barrett et al.
1,044,476	A	11/1912	Bean
1,104,857	A	7/1914	Windham
1,239,644	A	9/1917	Tuttle
1,280,972	A	10/1918	Dignam
1,319,343	A	10/1919	Jones
1,326,635	A	12/1919	Besancon
1,327,498	A	1/1920	Sutton
1,337,435	A	4/1920	Brown
1,370,935	A	3/1921	Gorder et al.
1,475,940	A	12/1923	Dubilier et al.
1,480,028	A	1/1924	Statham
1,488,093	A	3/1924	Carpenter
1,489,102	A	4/1924	Adams
1,490,458	A	4/1924	Fairweather et al.
1,494,997	A	5/1924	Crough
1,498,890	A	6/1924	Steedman
1,643,757	A	9/1927	Wallenbeck
1,697,355	A	1/1929	Hage
1,707,493	A	4/1929	Reid
1,759,981	A	5/1930	Elzinga et al.
1,799,965	A	4/1931	Fairweather et al.
1,849,299	A	3/1932	Jansson et al.
1,876,570	A	9/1932	Cesario
1,988,815	A	1/1935	Sirca
2,010,304	A	8/1935	Elmer
2,241,986	A	5/1941	Driess et al.
2,261,673	A	11/1941	Barrows
2,262,248	A	11/1941	Oconnor
2,288,299	A	6/1942	Pileggi
2,296,461	A	9/1942	Berg
2,320,154	A	5/1943	Nunnally
2,466,296	A	4/1949	Ashley
2,530,216	A	11/1950	Appel
2,534,490	A	12/1950	Weeks
2,536,485	A	1/1951	Behr
2,593,574	A	4/1952	La Crosse
2,665,477	A	1/1954	Randol
2,677,176	A	5/1954	Randol
2,682,105	A	6/1954	Randol
2,713,200	A	7/1955	Alwood, Jr.
2,720,697	A	10/1955	Duncan
2,893,119	A	7/1959	Eichner
3,054,180	A	9/1962	Gore
3,106,020	A	10/1963	Tape
3,111,756	A	11/1963	Kruger et al.
3,263,330	A	8/1966	Ferrara
3,292,643	A	12/1966	Pryde
3,350,779	A	11/1967	Guarino
3,409,982	A	11/1968	Barnes et al.
3,583,262	A	6/1971	Mullen
3,599,327	A	8/1971	Calandra
4,037,322	A	7/1977	Bresler
4,058,891	A	11/1977	Spanel
D254,692	S *	4/1980	Del Re D28/46

4,213,240	A	7/1980	Ferraro et al.
4,257,160	A	3/1981	Murai
4,344,226	A	8/1982	Blake, III
4,441,252	A	4/1984	Caves
4,453,310	A	6/1984	Miserez
D287,059	S *	12/1986	Gille D28/46
RE32,367	E	3/1987	Bowman et al.
4,813,131	A	3/1989	Gruner
5,220,728	A	6/1993	Ueno et al.
5,251,376	A	10/1993	Althaus et al.
5,253,420	A	10/1993	Althaus et al.
5,461,781	A	10/1995	Pirc
5,517,760	A	5/1996	Prochaska
5,715,606	A	2/1998	De Wolf et al.
D415,317	S	10/1999	Aiston
6,094,820	A	8/2000	Adachi
6,237,444	B1	5/2001	Kim
6,473,971	B2	11/2002	Ordaz
6,655,029	B2	12/2003	Saito
D495,827	S	9/2004	Branden
D496,129	S	9/2004	Ogi
D499,210	S *	11/2004	Shepperson D28/46
D499,511	S *	12/2004	Wakayama D28/46
7,171,752	B2	2/2007	Lee
8,191,557	B2	6/2012	Saiki
8,739,411	B2	6/2014	Kinghorn et al.
8,806,760	B2	8/2014	Moons
8,839,521	B2	9/2014	Hazard
9,616,584	B2	4/2017	Coresh
9,718,200	B2	8/2017	Dryfhout
D822,279	S *	7/2018	Newman D28/48
D823,541	S *	7/2018	Wertz D28/46
D827,932	S *	9/2018	Alphonso D28/47
10,137,583	B1	11/2018	Toone
10,406,704	B2	9/2019	Barrett et al.
10,449,683	B2	10/2019	Spencer et al.
D870,379	S *	12/2019	Lambert D28/46
D889,040	S *	6/2020	Stowers D28/45
10,786,917	B1	9/2020	Walton
D898,284	S *	10/2020	Stowers D28/45
D905,339	S	12/2020	Roche
D905,344	S *	12/2020	Wang D28/51
2002/0092175	A1	7/2002	Kameka
2009/0007442	A1	1/2009	Kurihara
2009/0235529	A1	9/2009	Ringart et al.
2010/0043612	A1	2/2010	Ichiyanagi et al.
2015/0360375	A1	12/2015	Wertz
2017/0113363	A1 *	4/2017	Lopez B26B 21/227
2019/0358836	A1 *	11/2019	Maimone B26B 21/225

OTHER PUBLICATIONS

All Office Actions; U.S. Appl. No. 16/906,625.
 All Office Actions; U.S. Appl. No. 16/906,689.
 All Office Actions; U.S. Appl. No. 16/906,646.
 All Office Actions; U.S. Appl. No. 29/738,830.
 All Office Actions; U.S. Appl. No. 29/738,819.
 Unpublished U.S. Appl. No. 16/906,589, filed Jun. 19, 2020, to Jack Anthony Washington.
 Unpublished U.S. Appl. No. 16/906,625, filed Jun. 19, 2020, to Jack Anthony Washington.
 Unpublished U.S. Appl. No. 16/906,646, filed Jun. 19, 2020, to Jack Anthony Washington.
 Unpublished U.S. Appl. No. 16/906,689, filed Jun. 19, 2020, to Jack Anthony Washington.
 U.S. Appl. No. 29/738,819, filed Jun. 19, 2020, Jack Anthony Washington.
 U.S. Appl. No. 29/738,830, filed Jun. 19, 2020, Philipp Goeder et al.

* cited by examiner

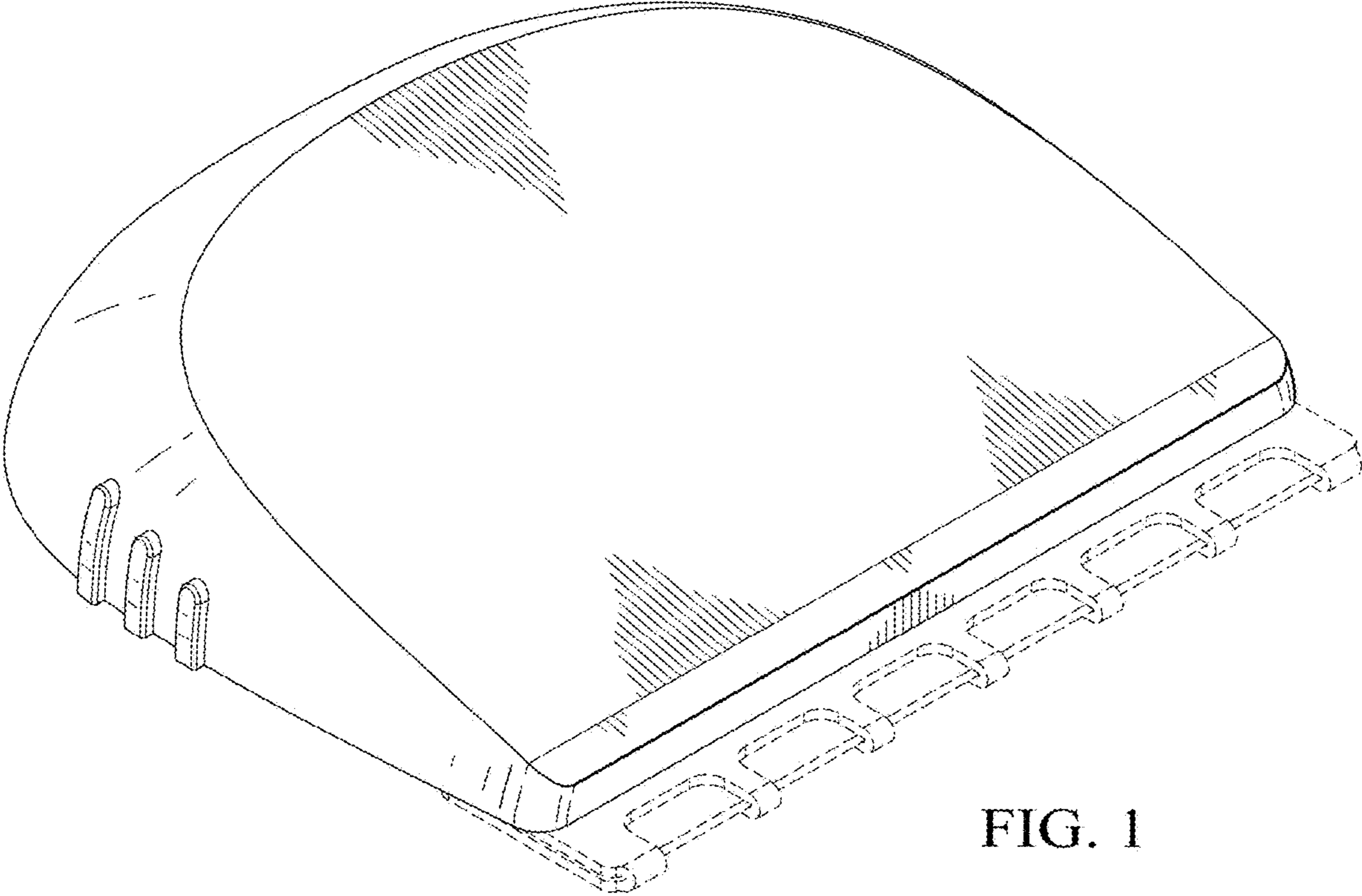


FIG. 1

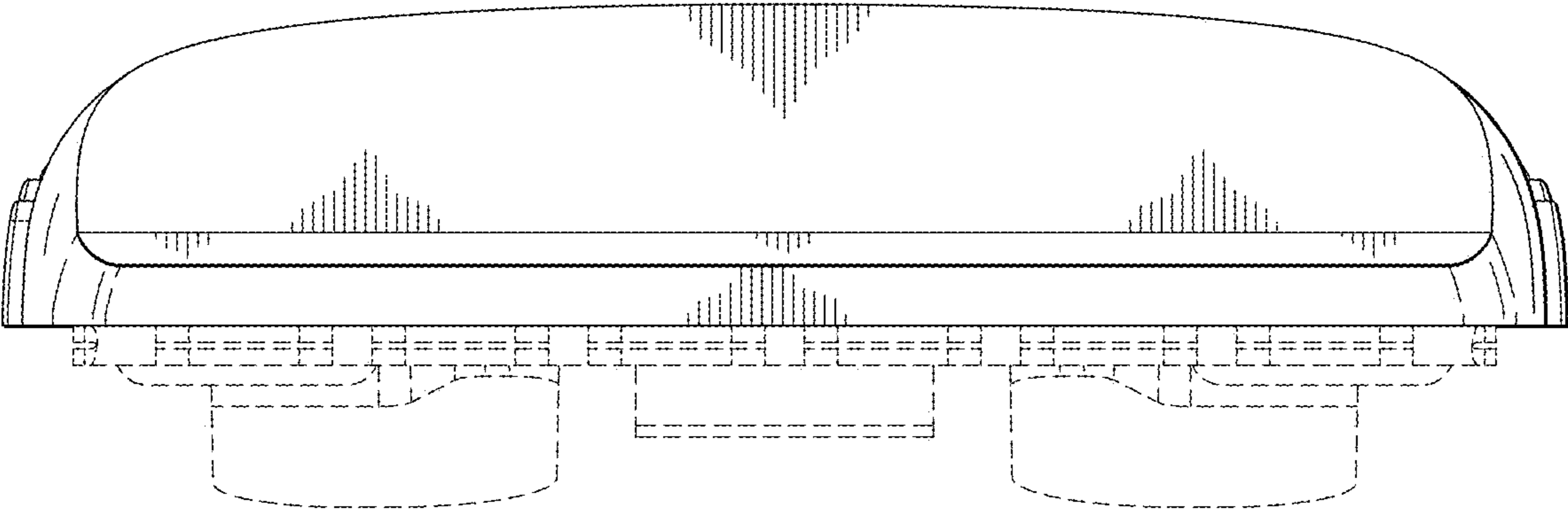


FIG. 2

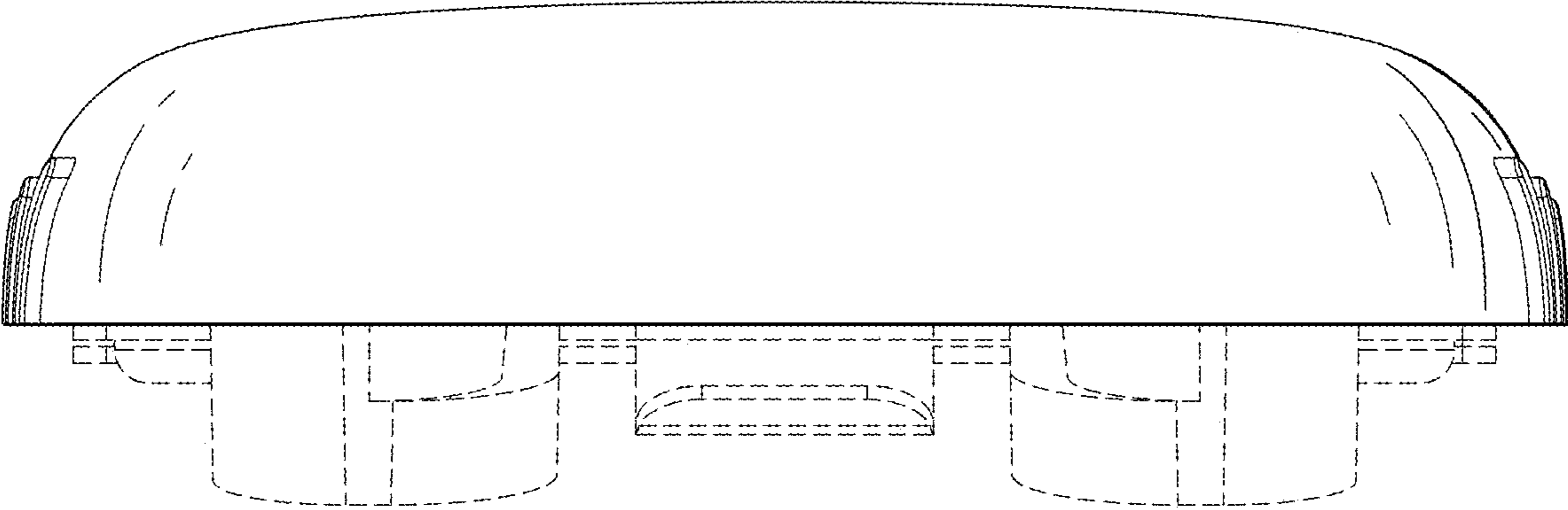


FIG. 3

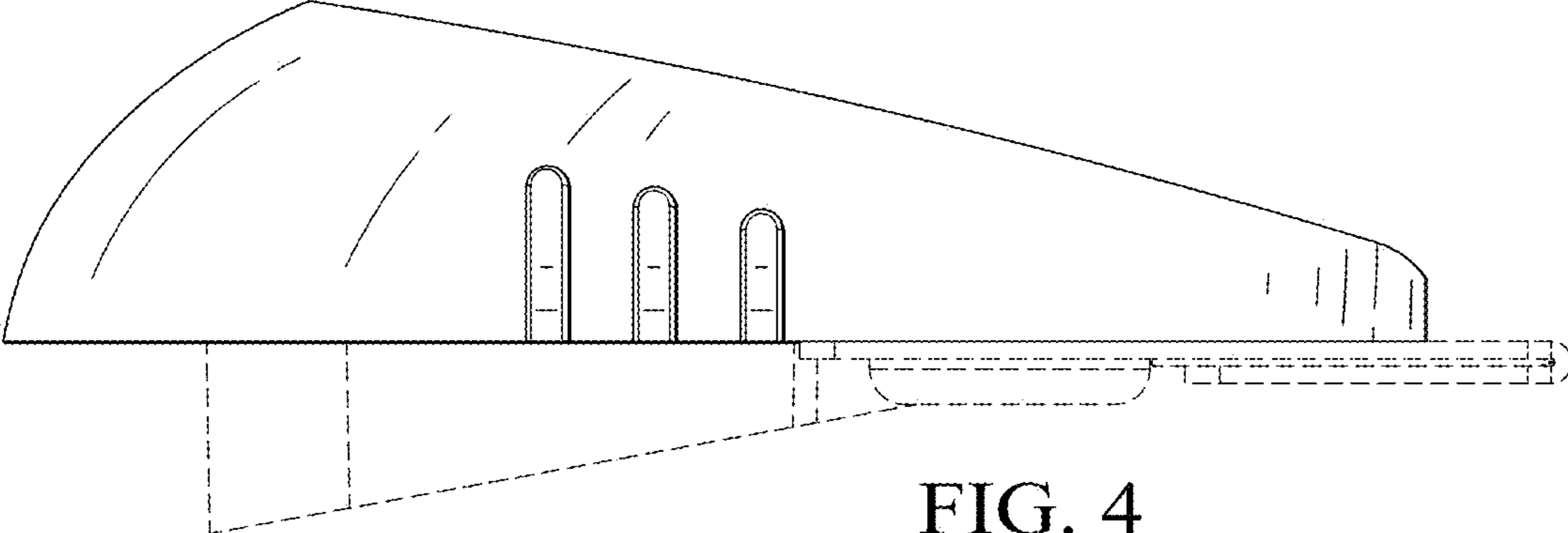


FIG. 4

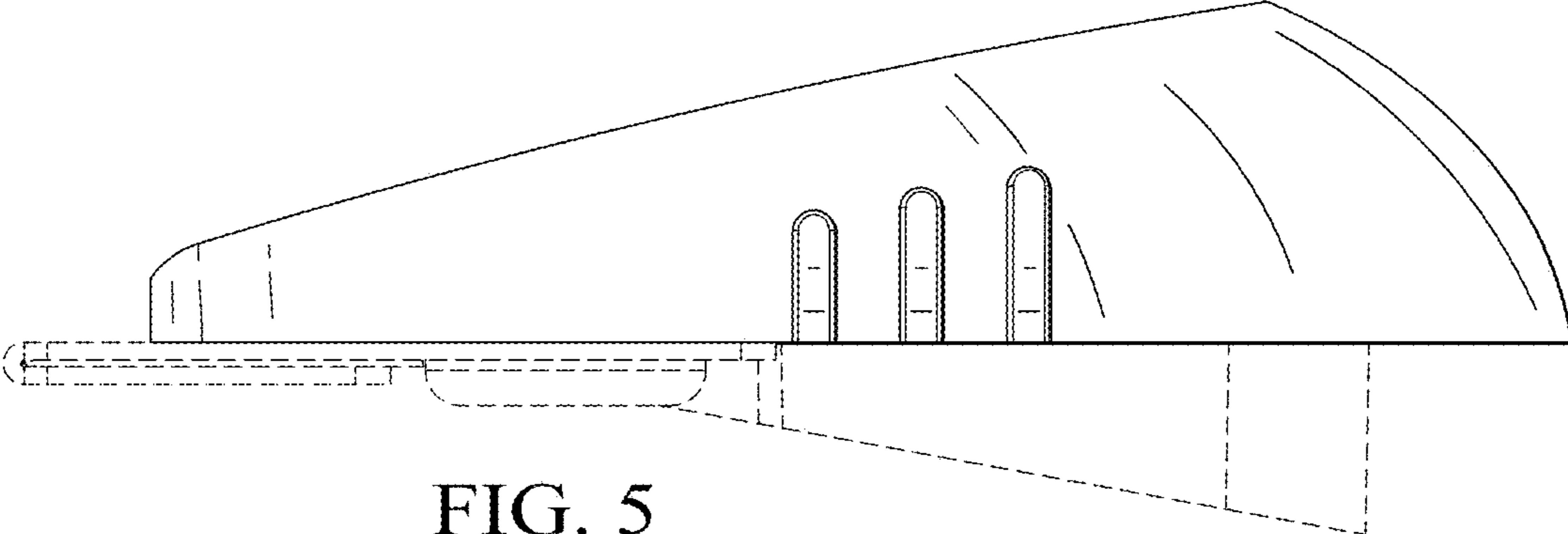


FIG. 5

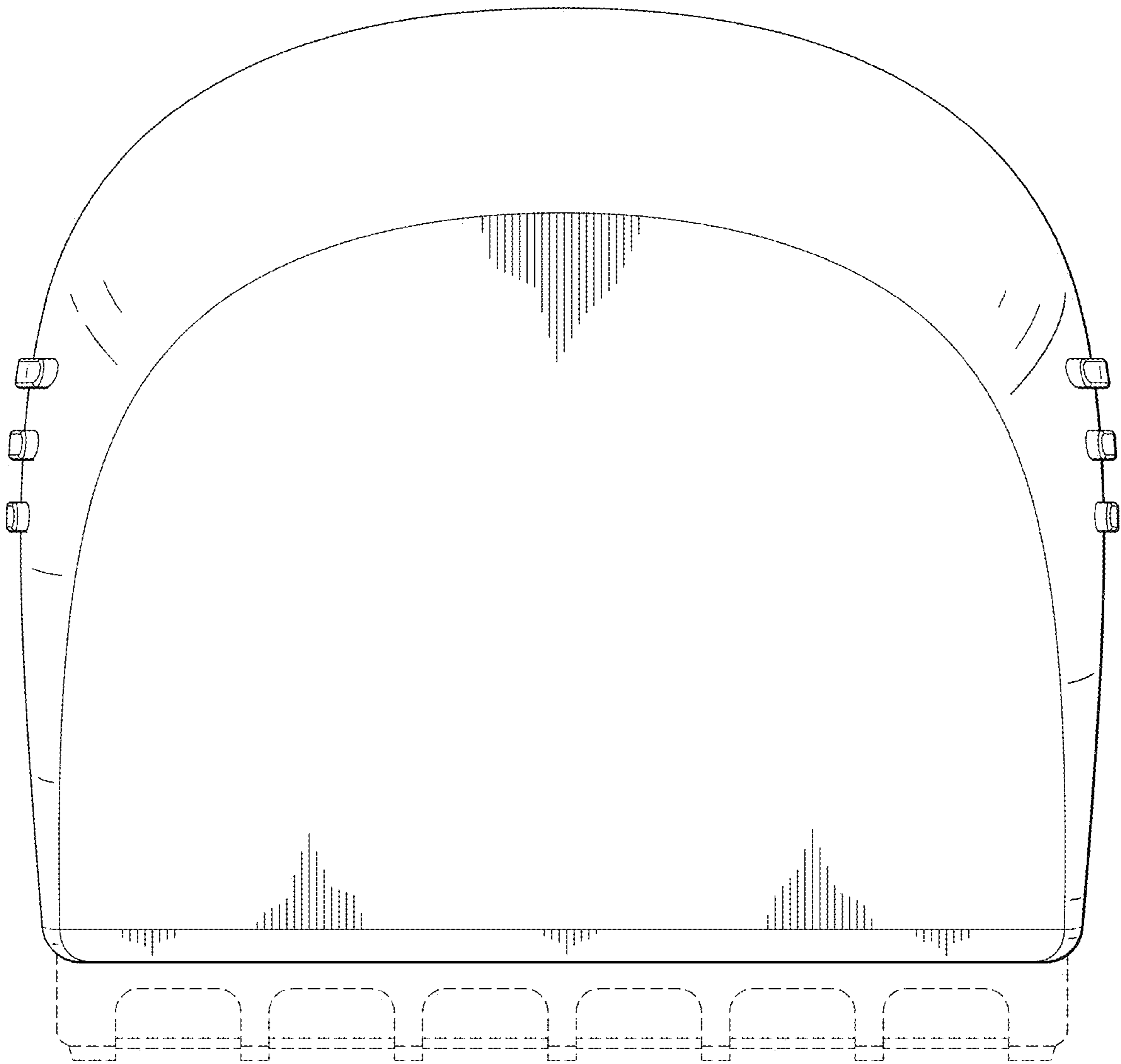


FIG. 6

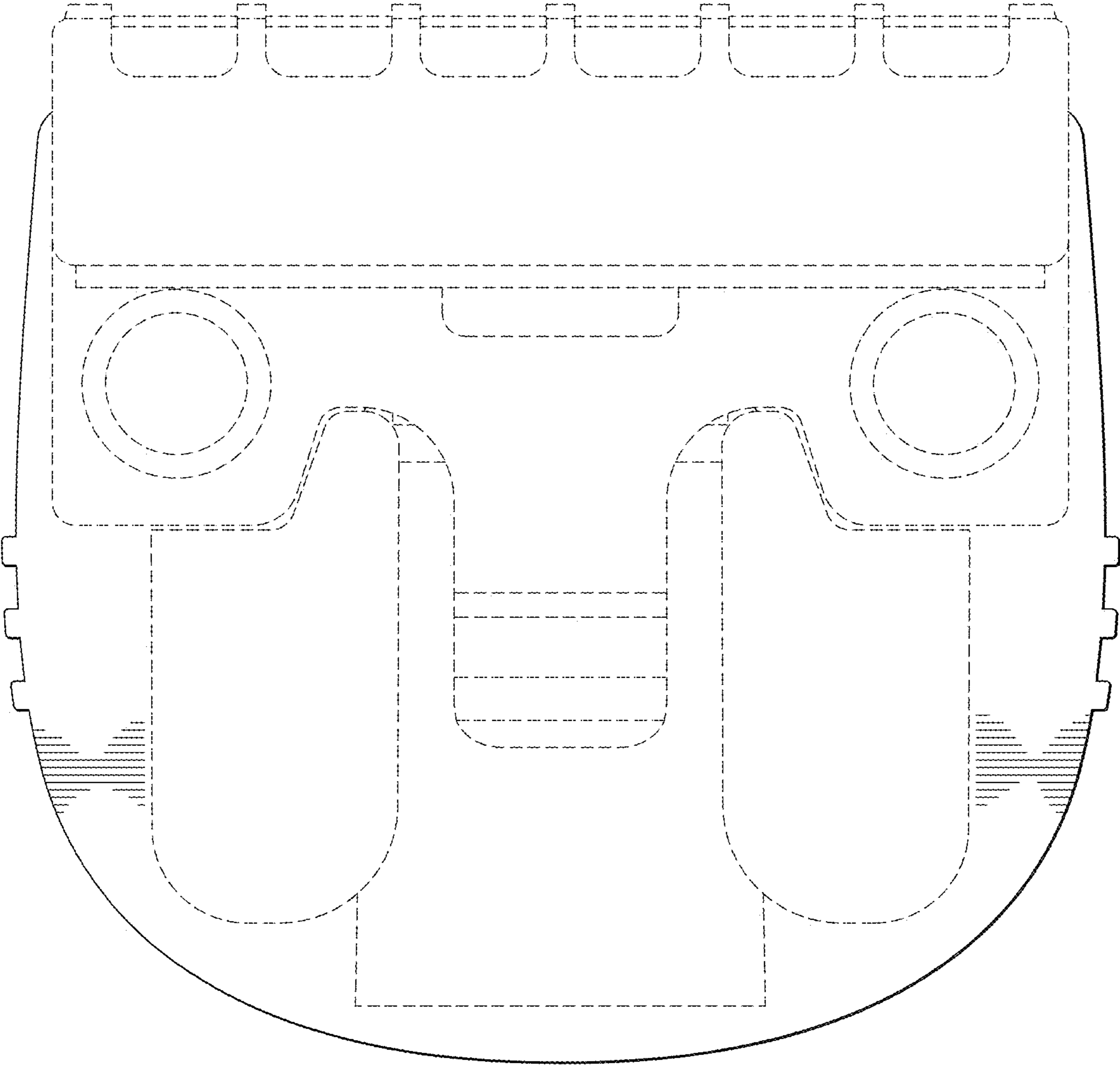


FIG. 7

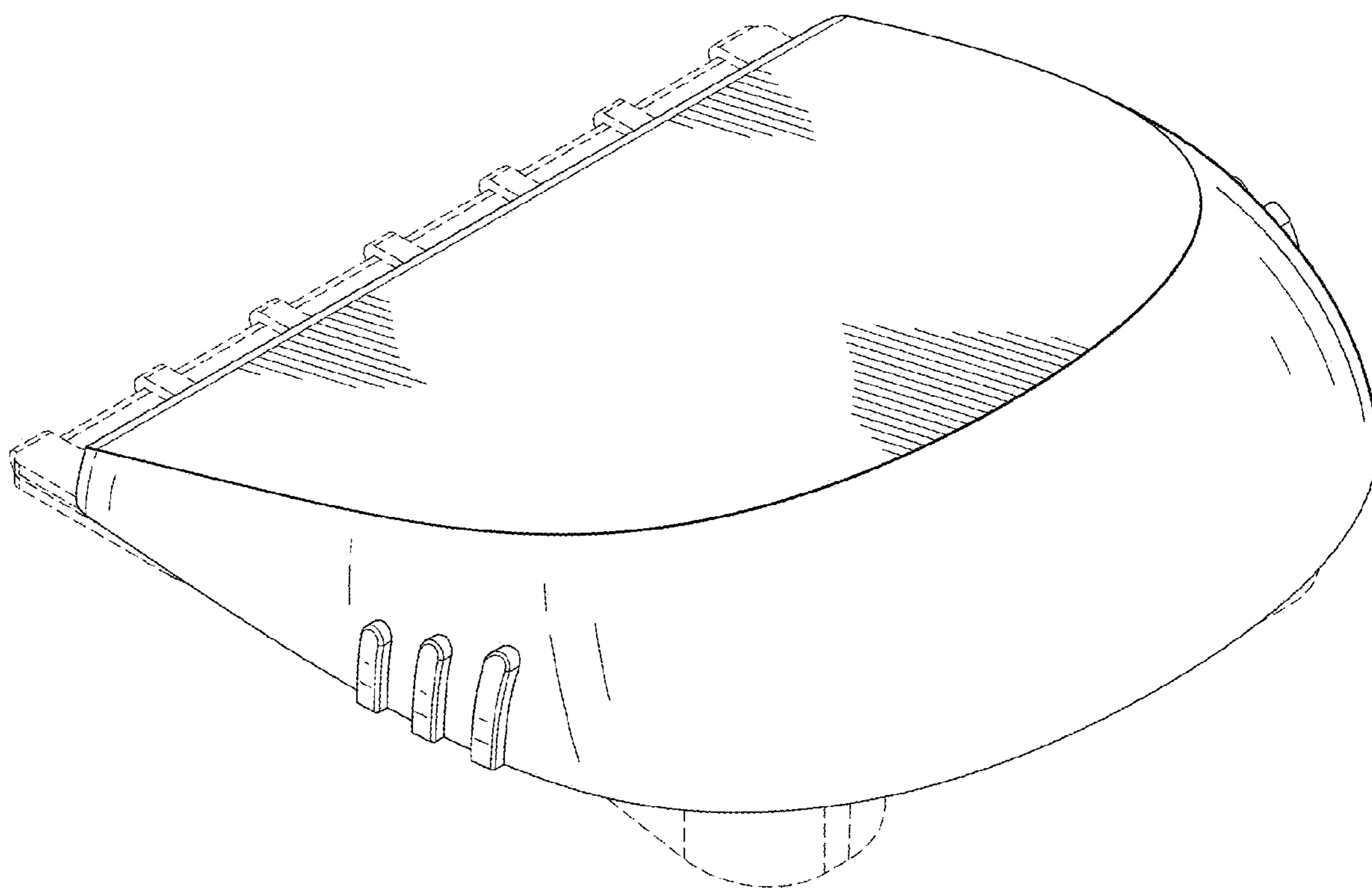


FIG. 8

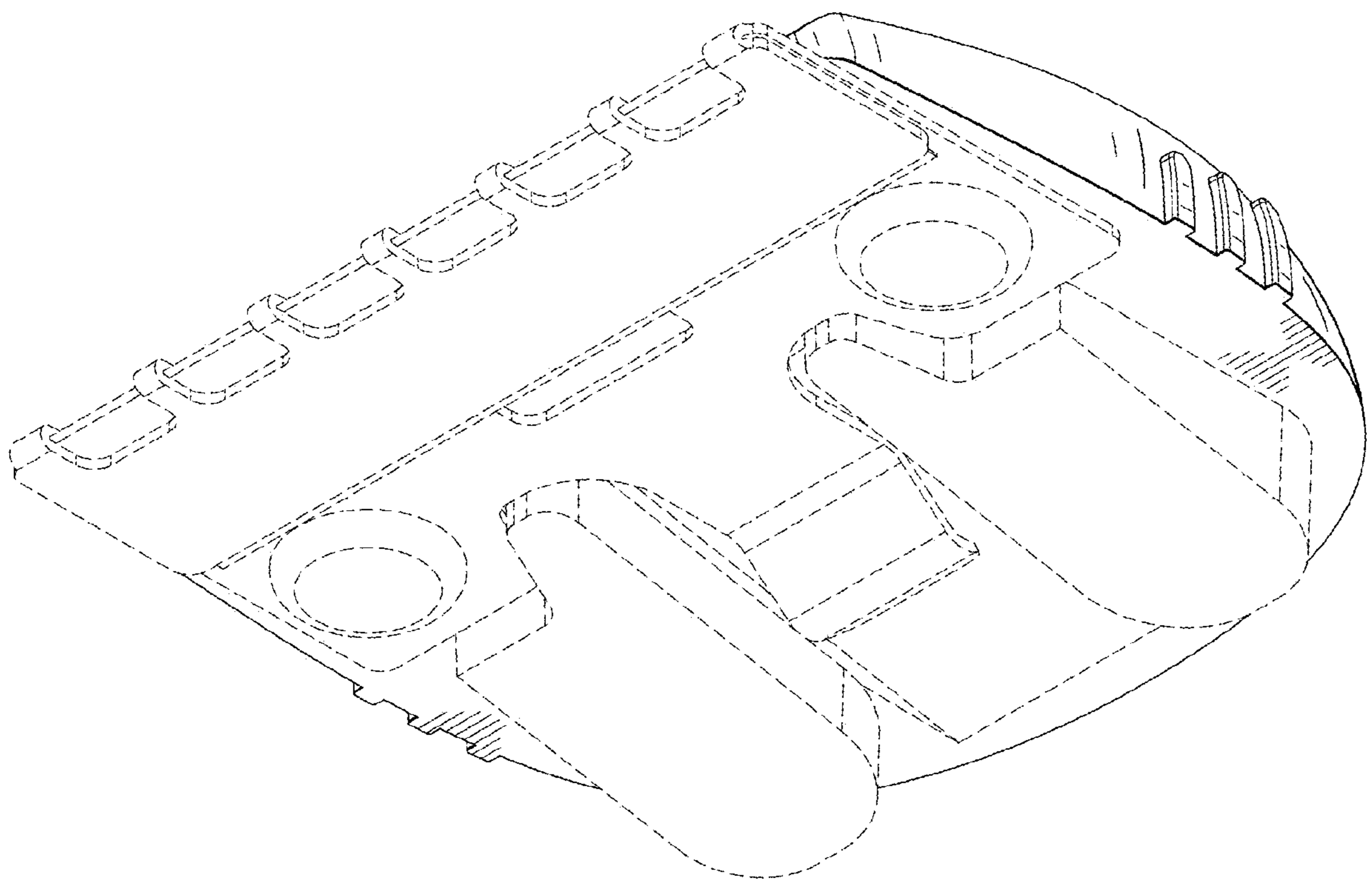


FIG. 9

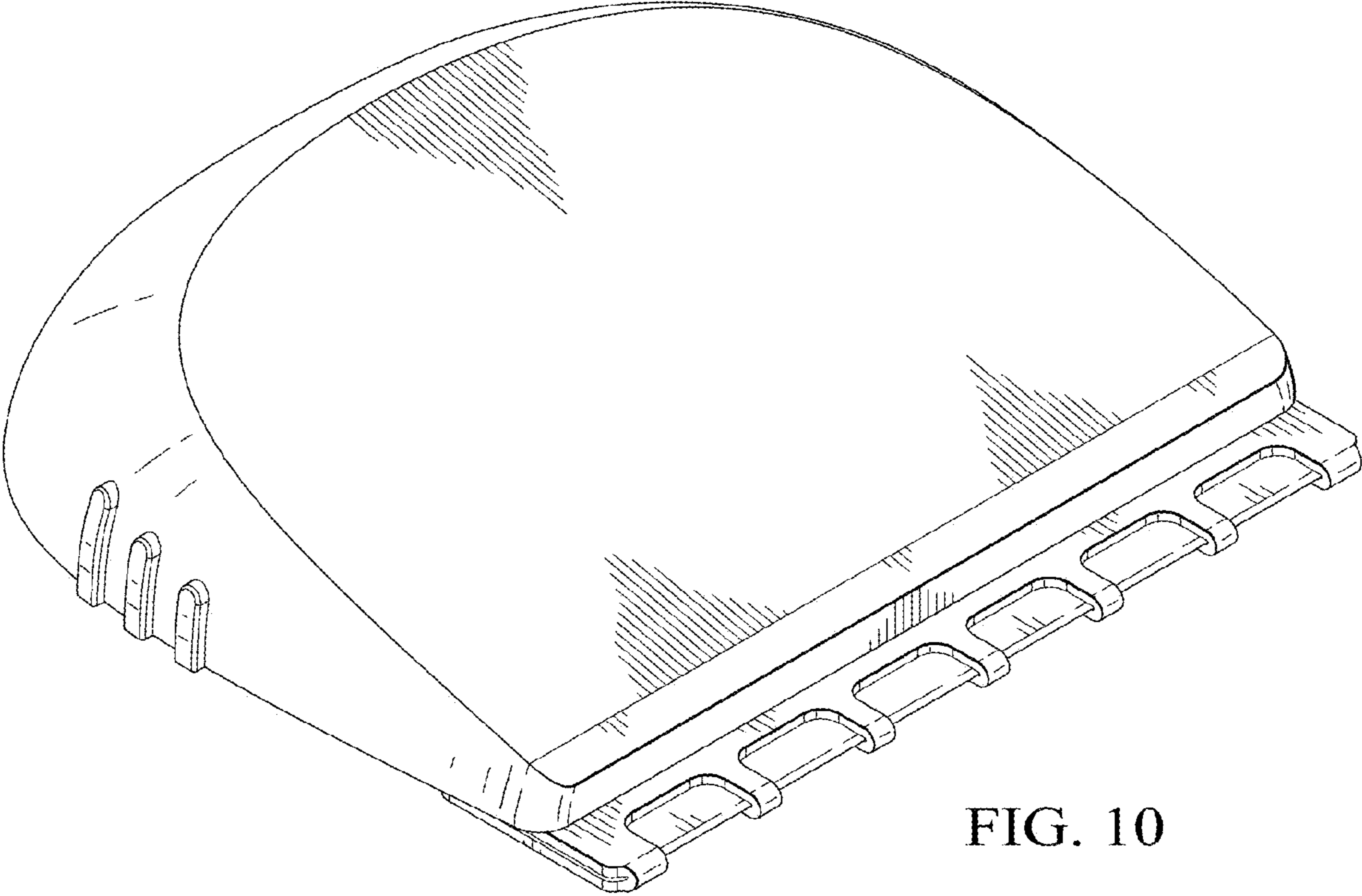


FIG. 10

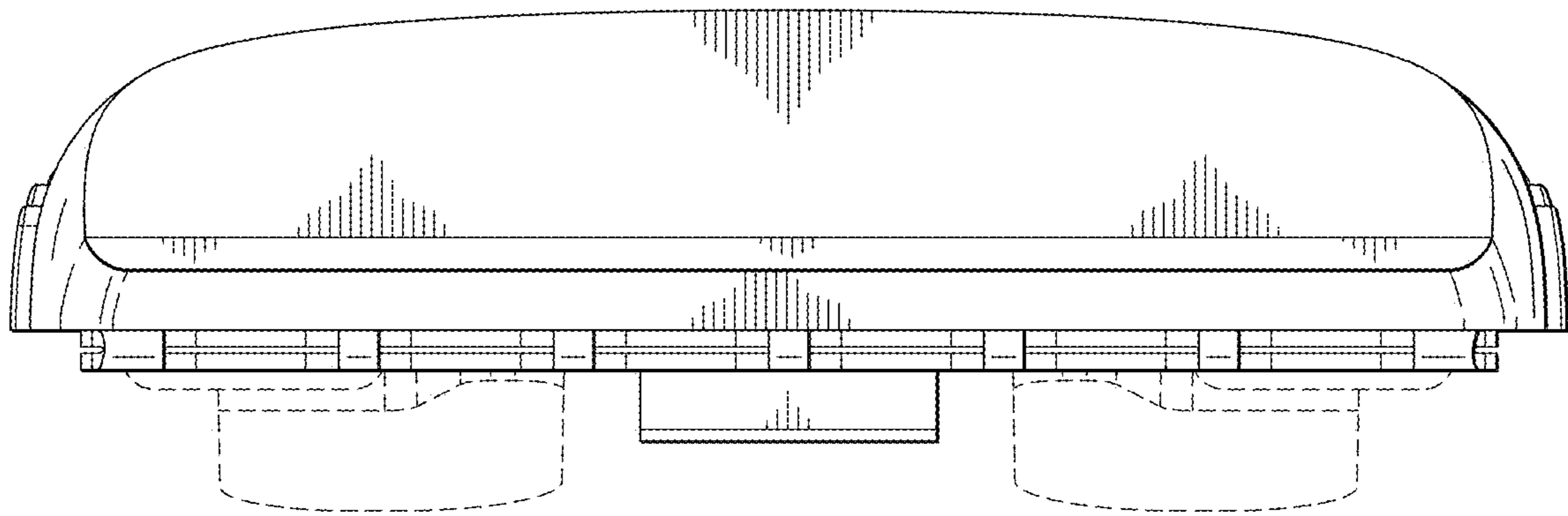


FIG. 11

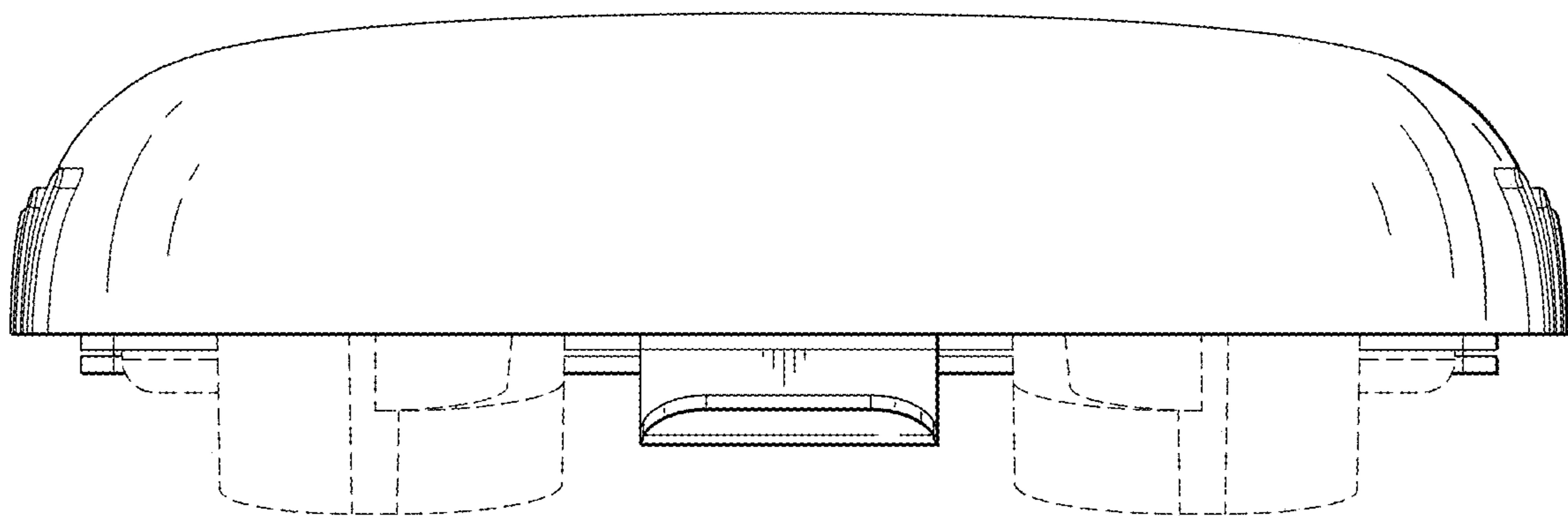


FIG. 12

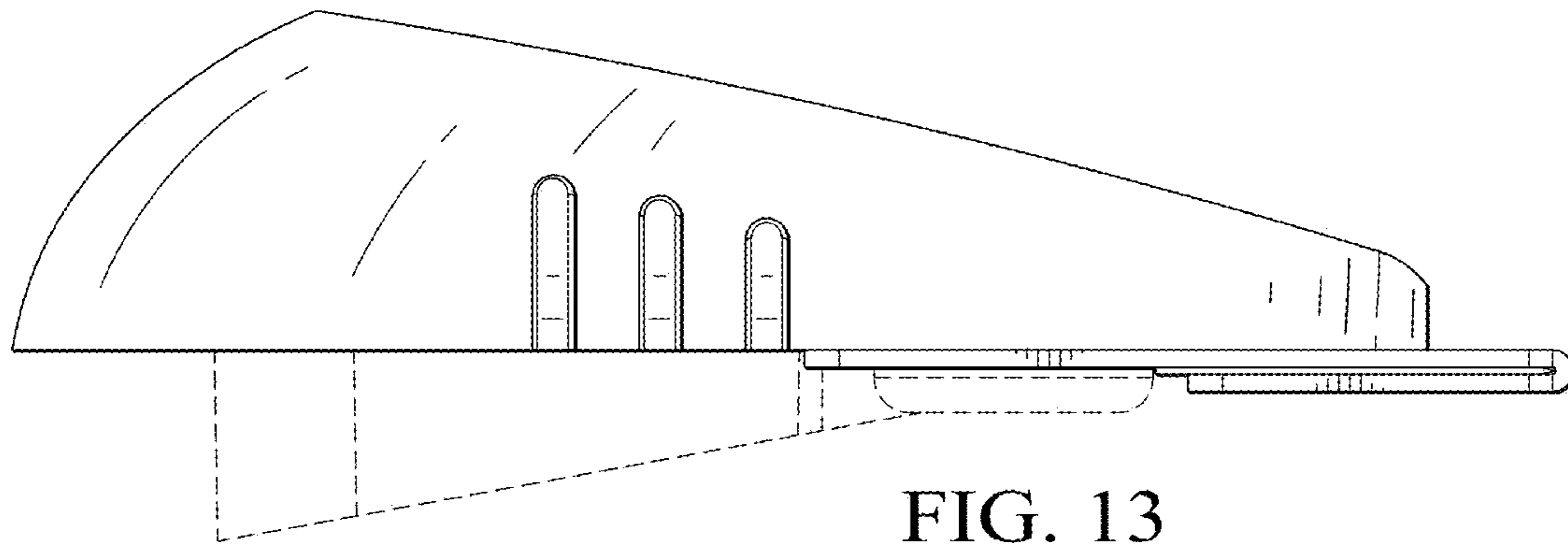


FIG. 13

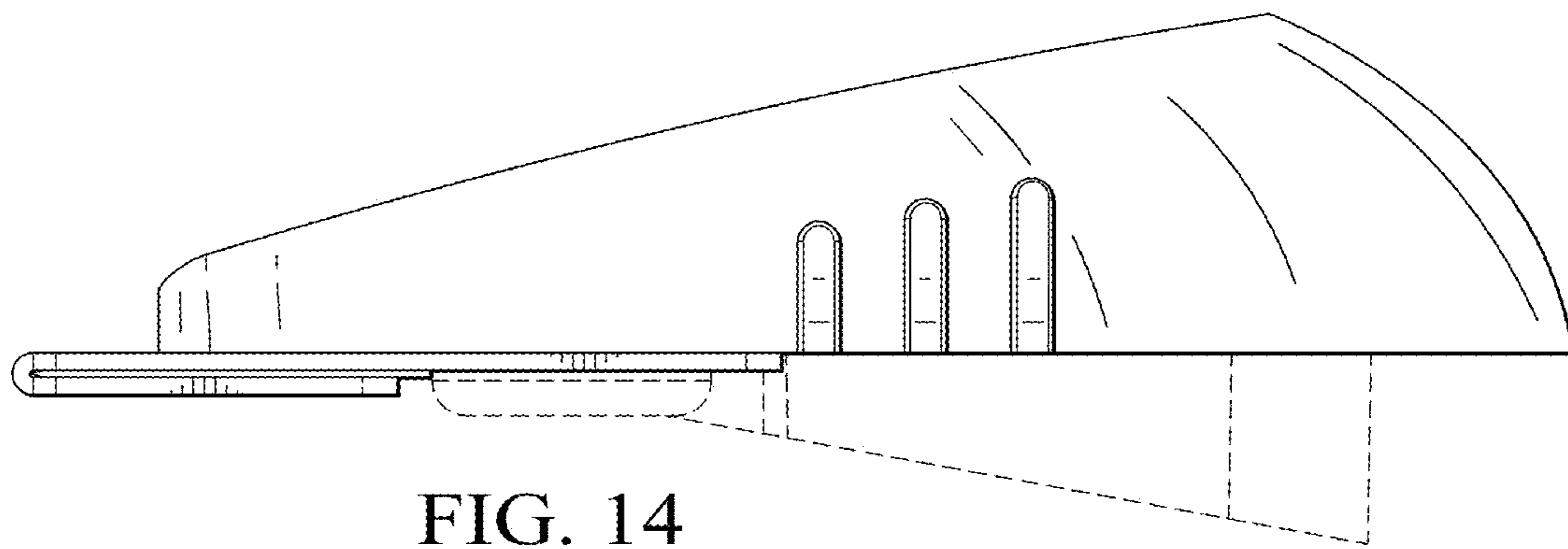


FIG. 14

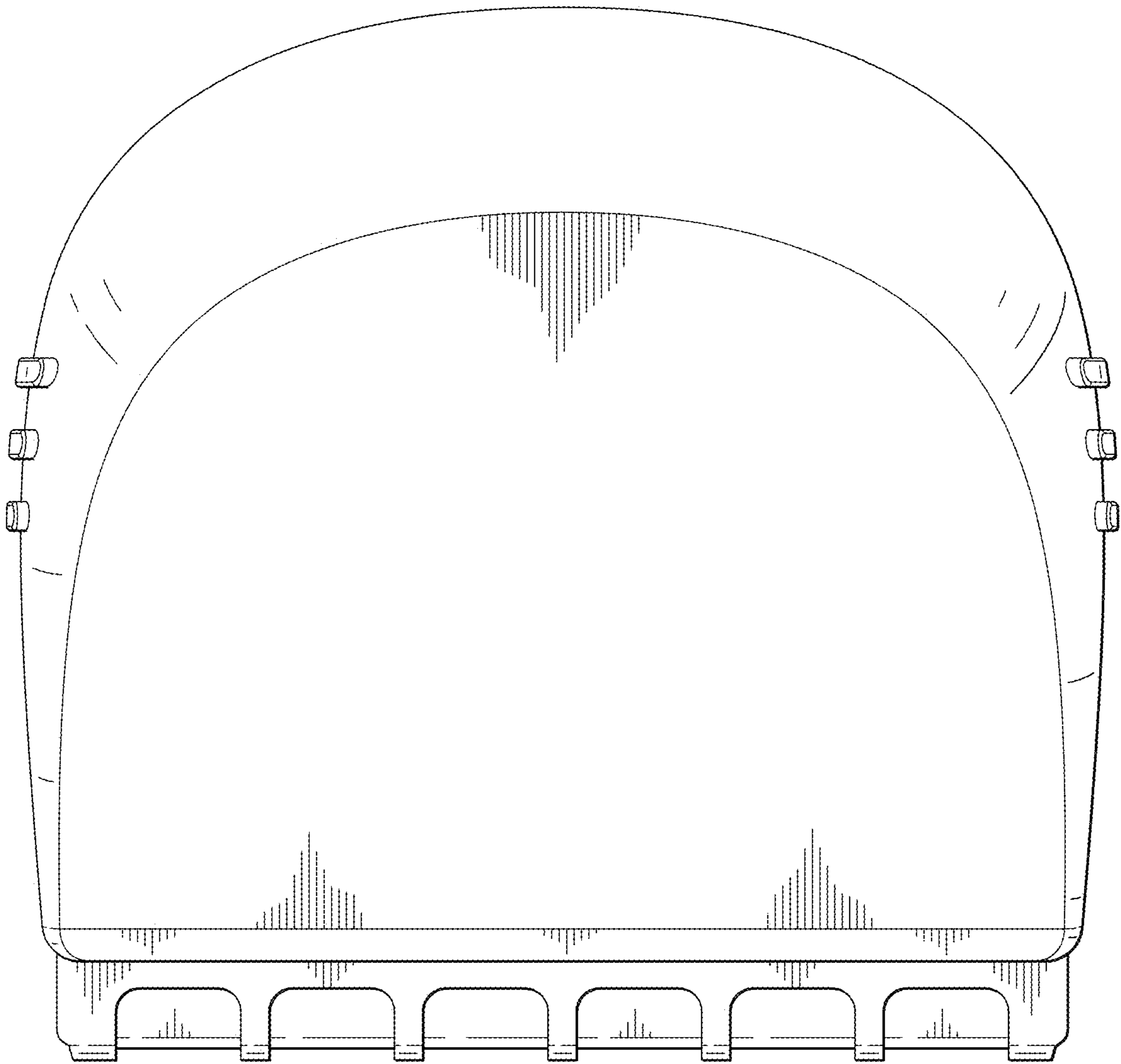


FIG. 15

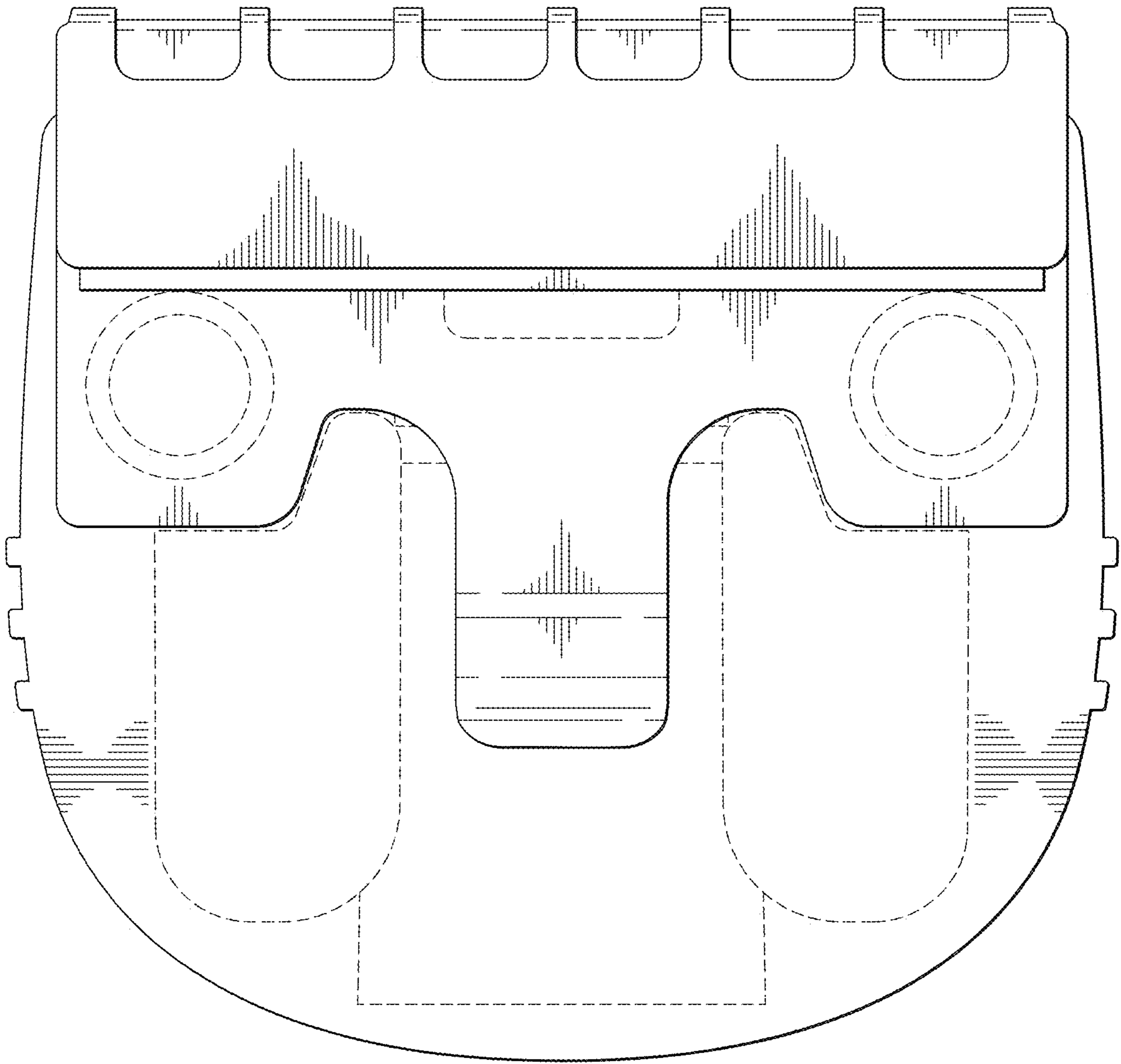


FIG. 16

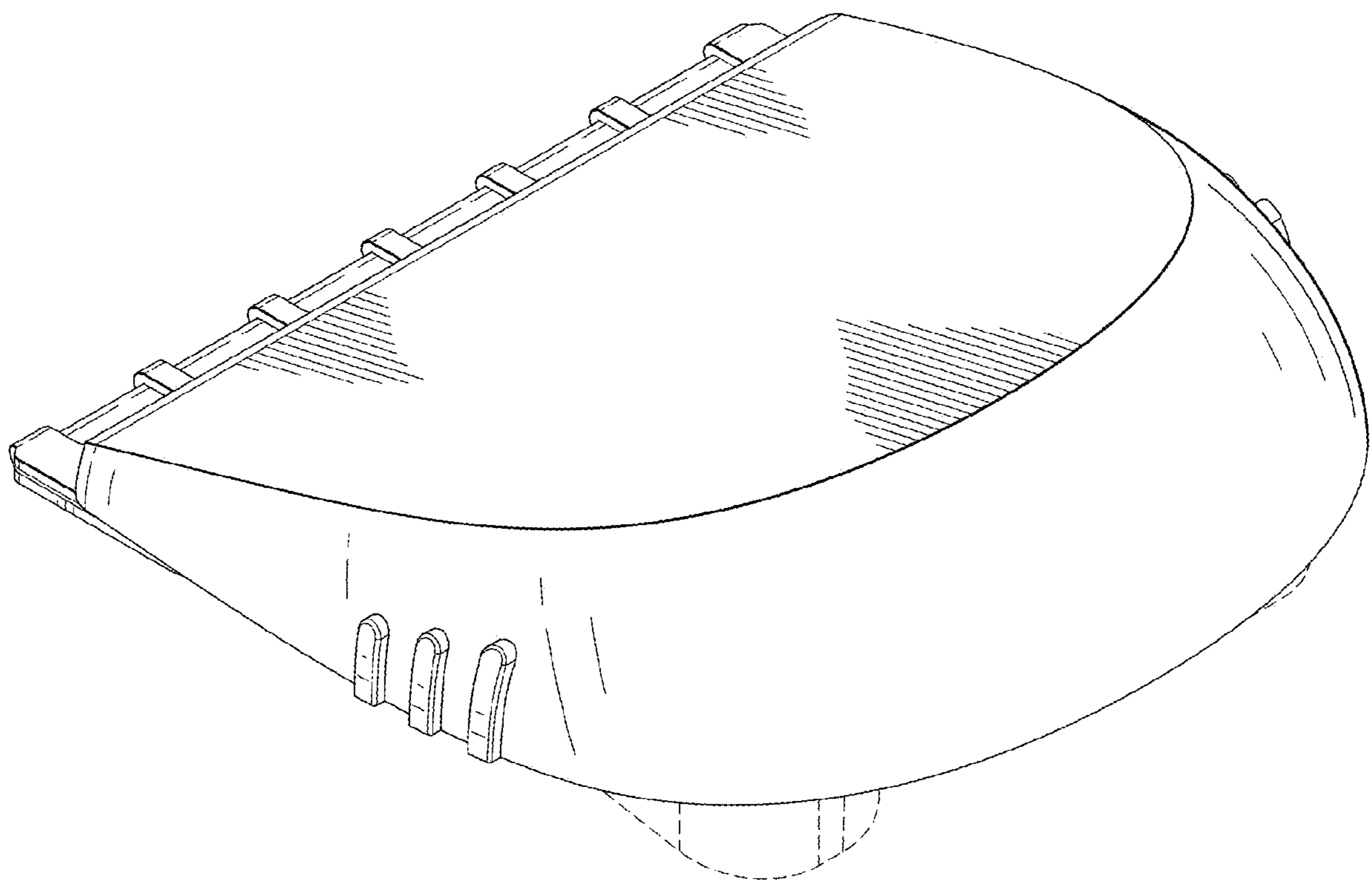


FIG. 17

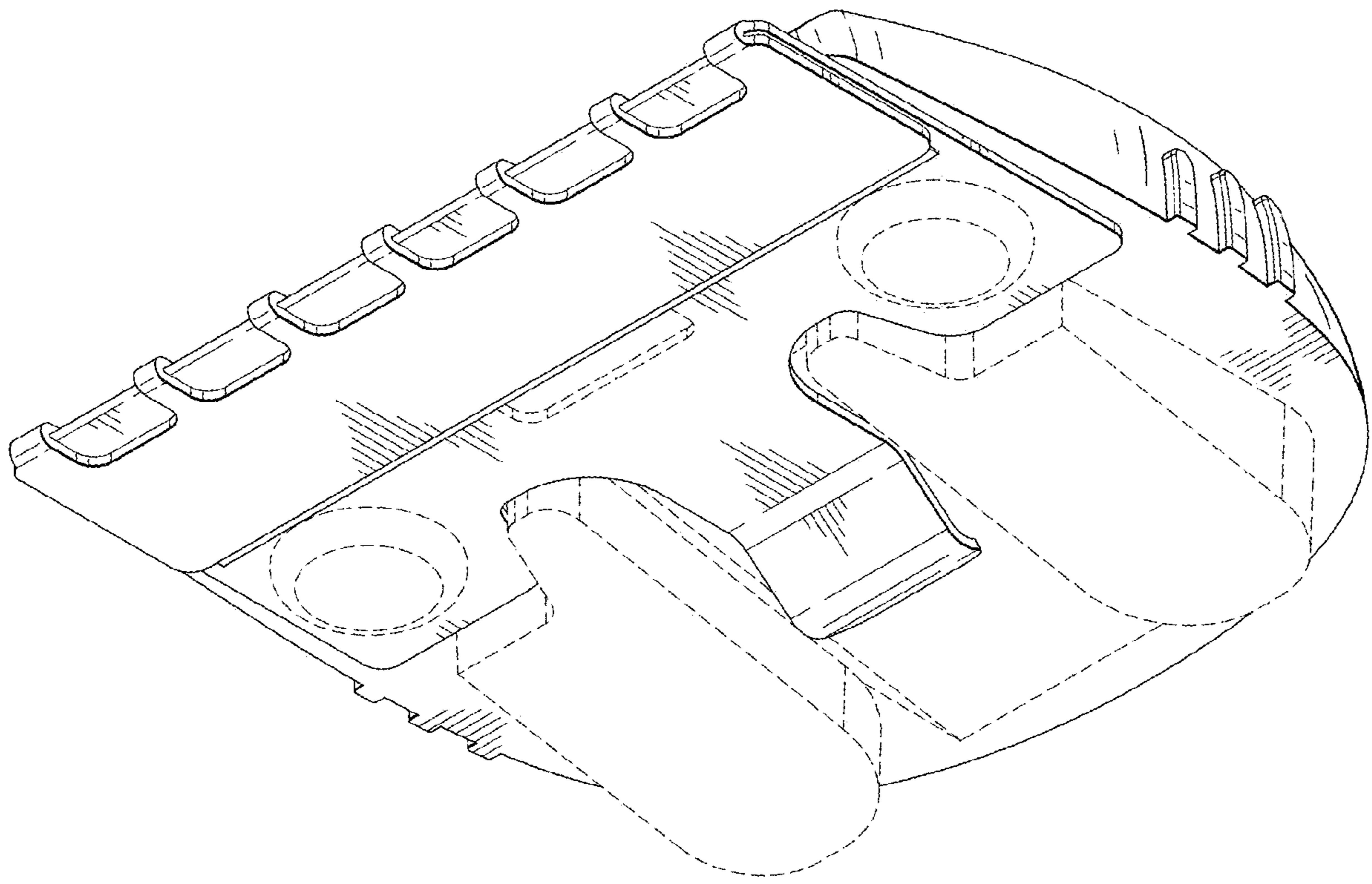


FIG. 18

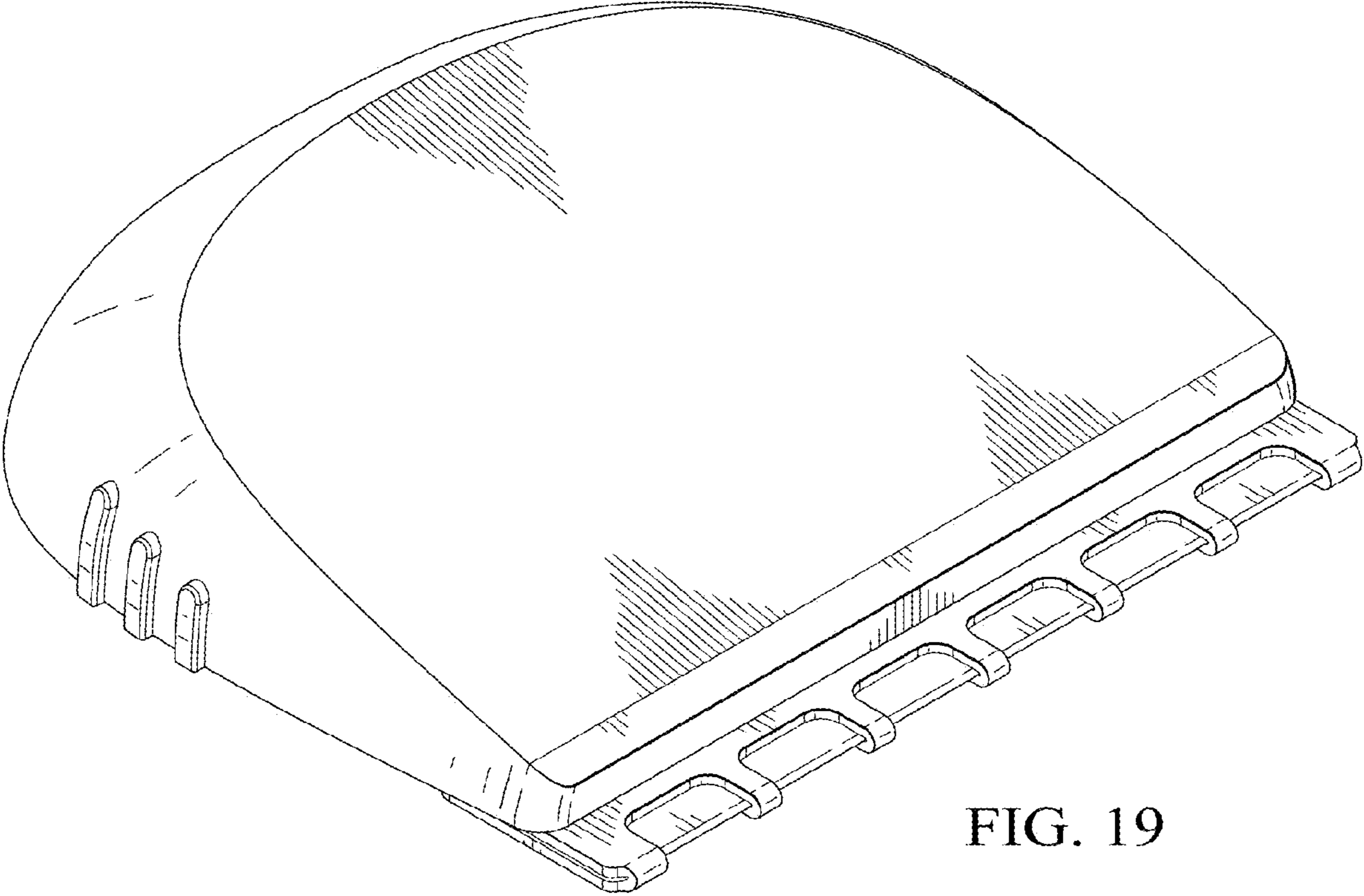


FIG. 19

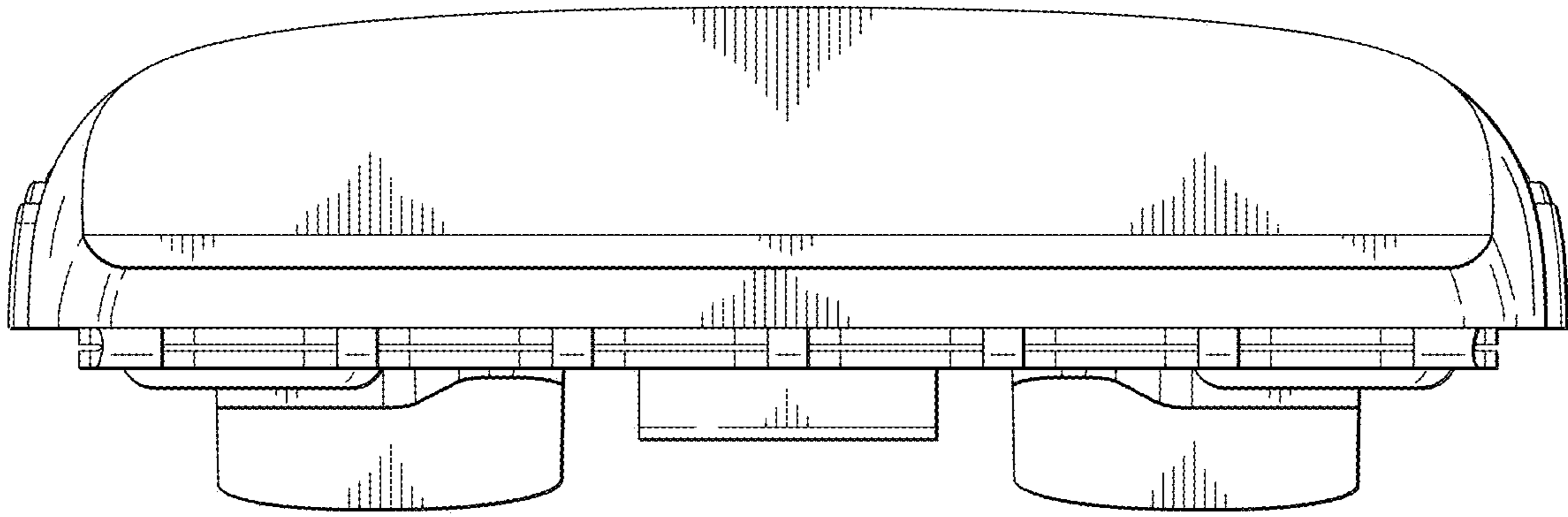


FIG. 20

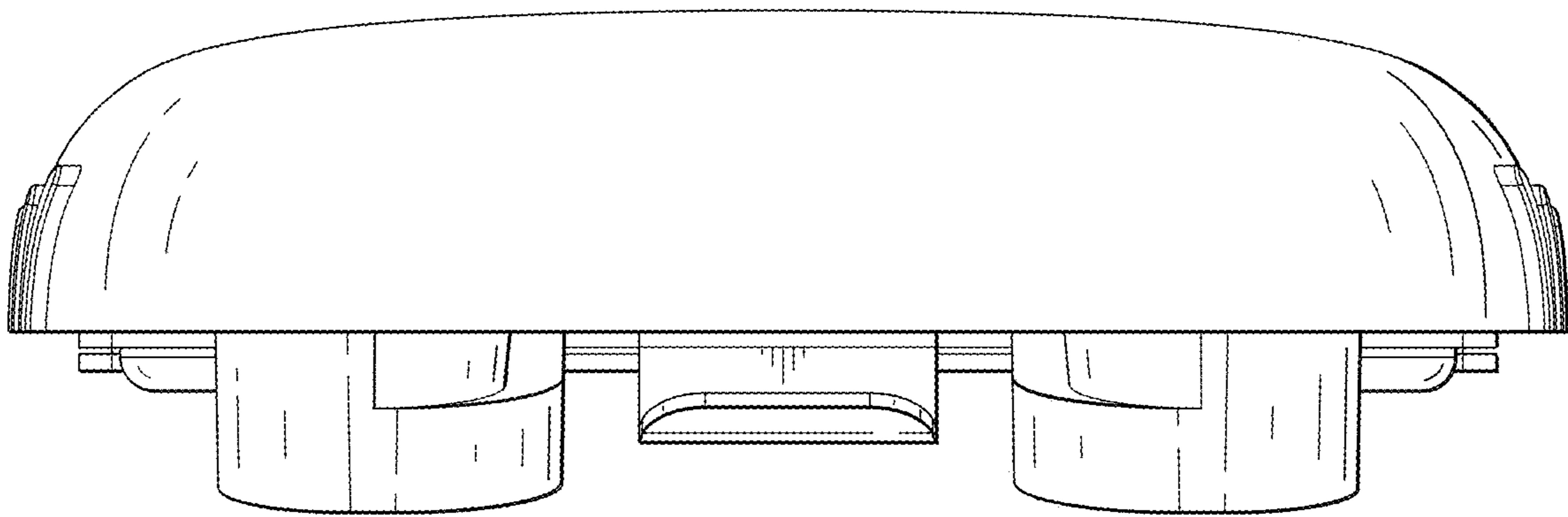


FIG. 21

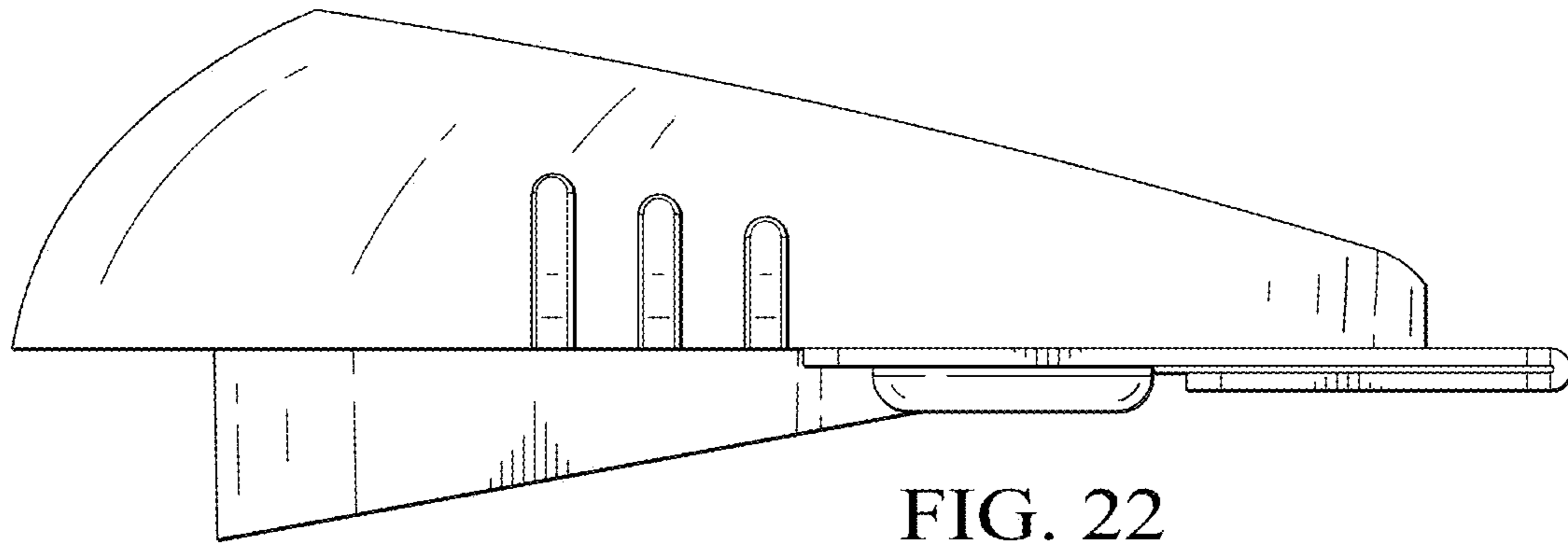


FIG. 22

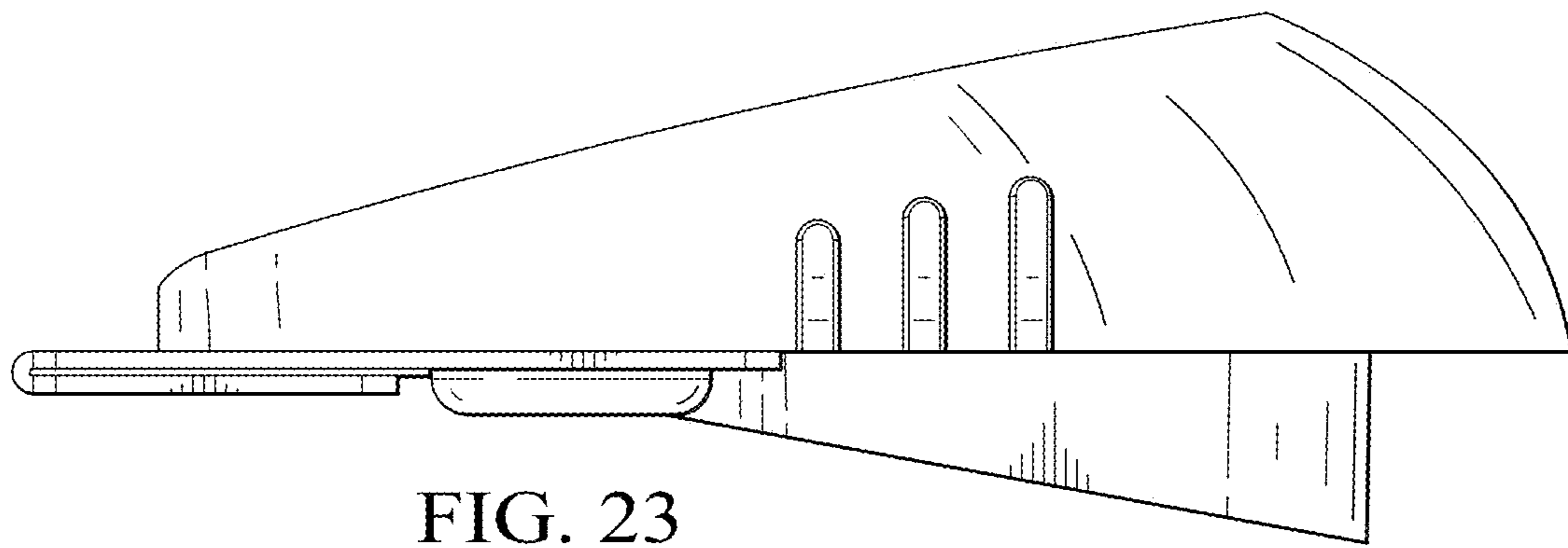


FIG. 23

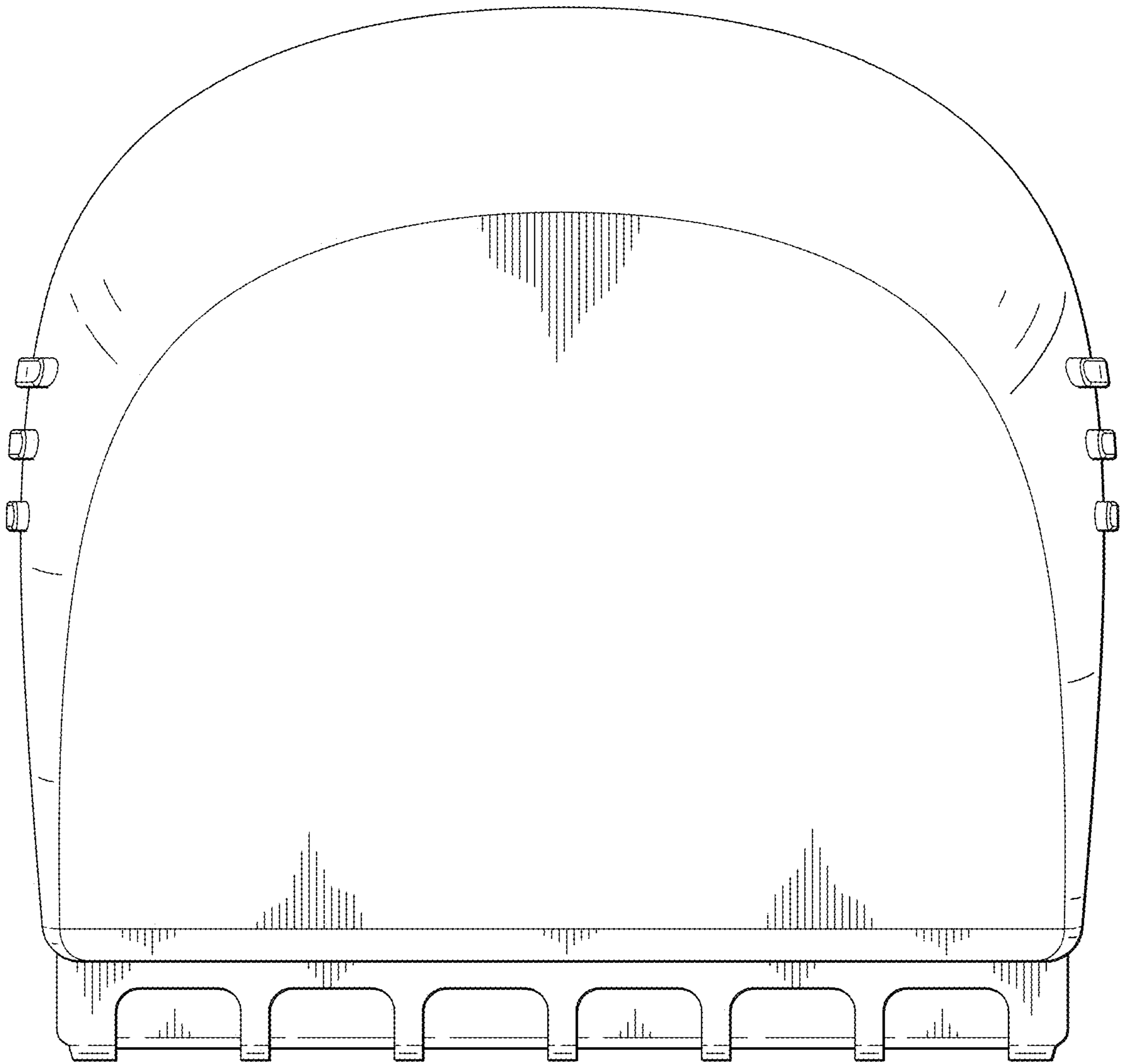


FIG. 24

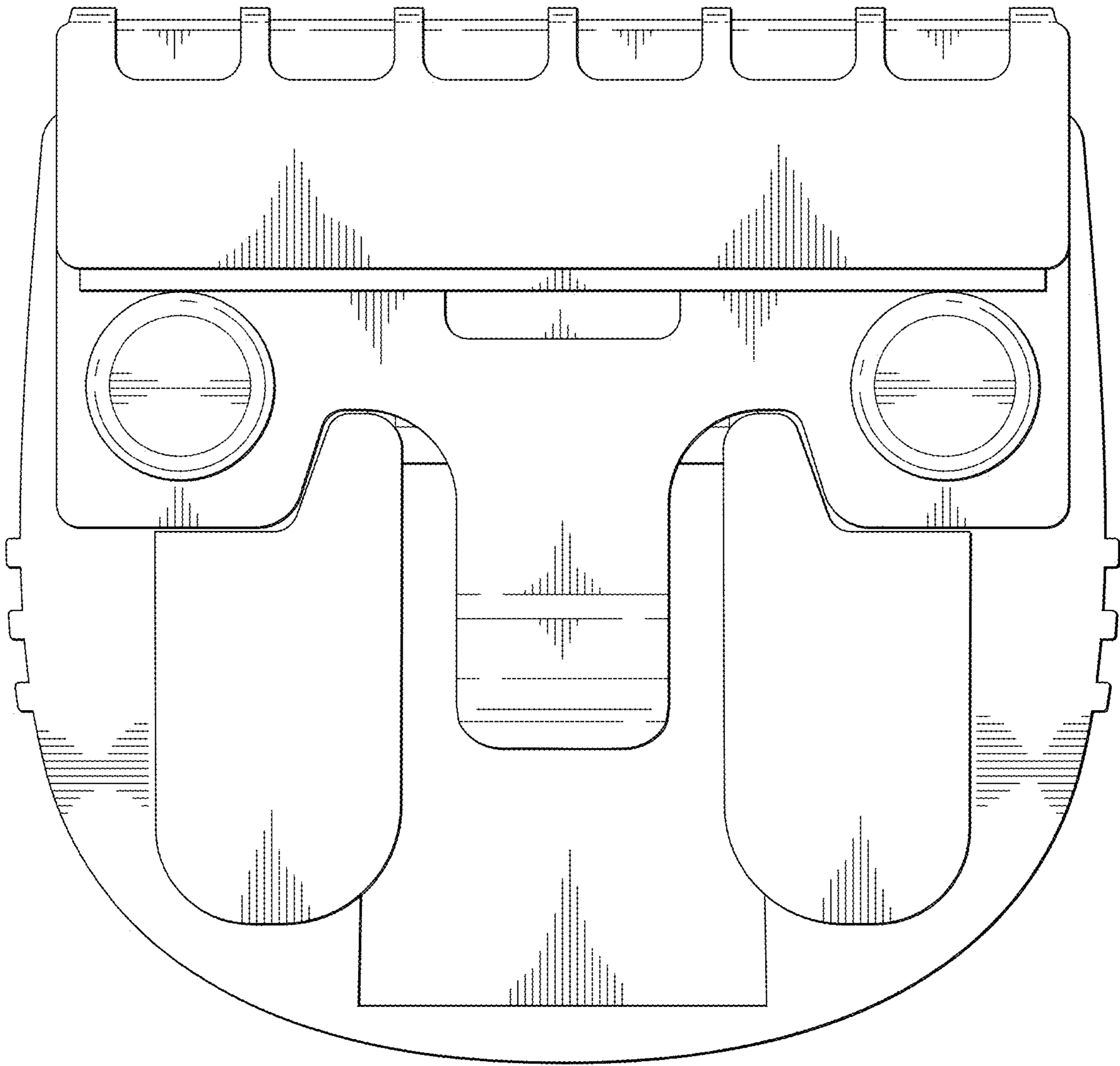


FIG. 25

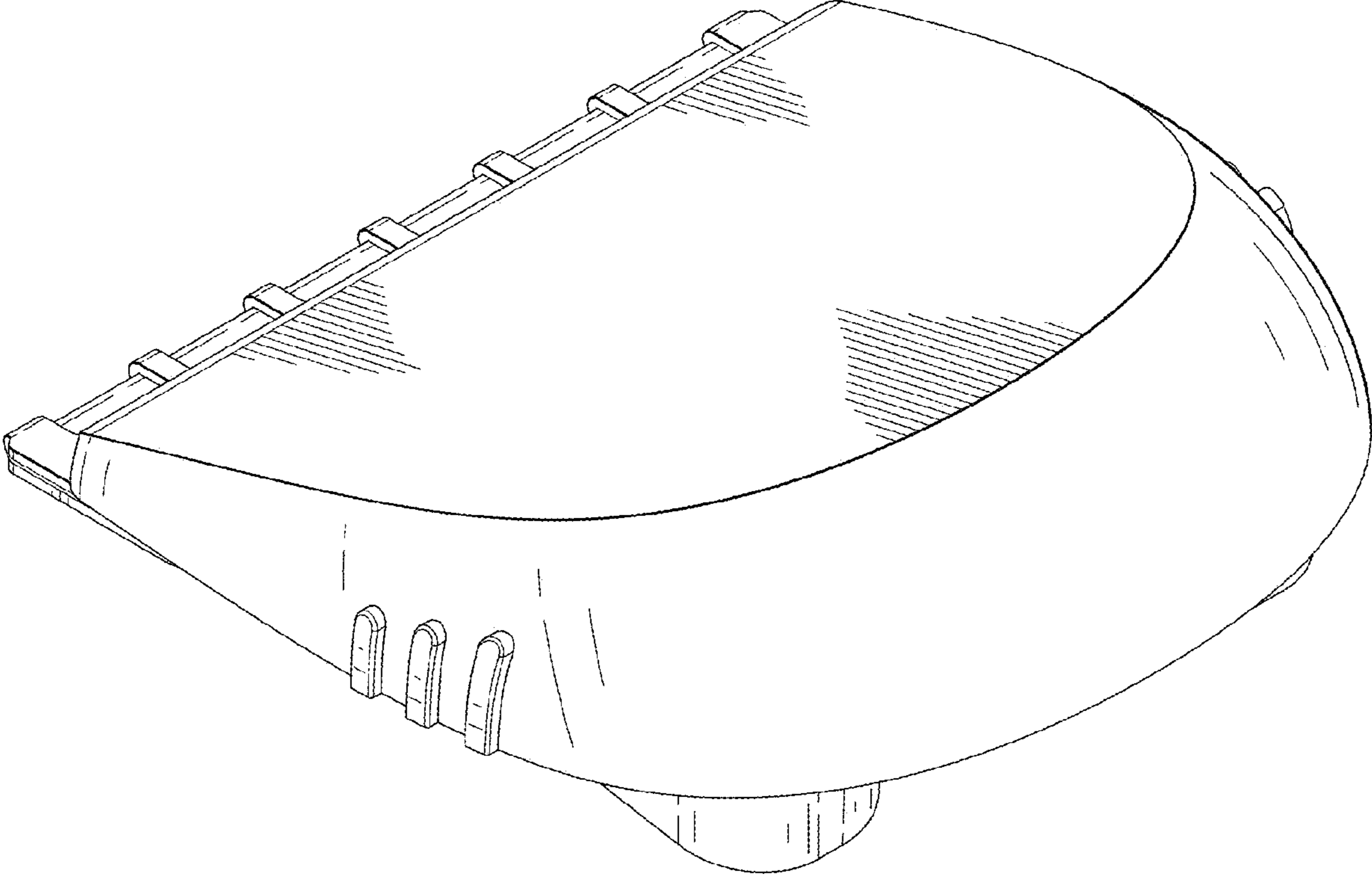


FIG. 26

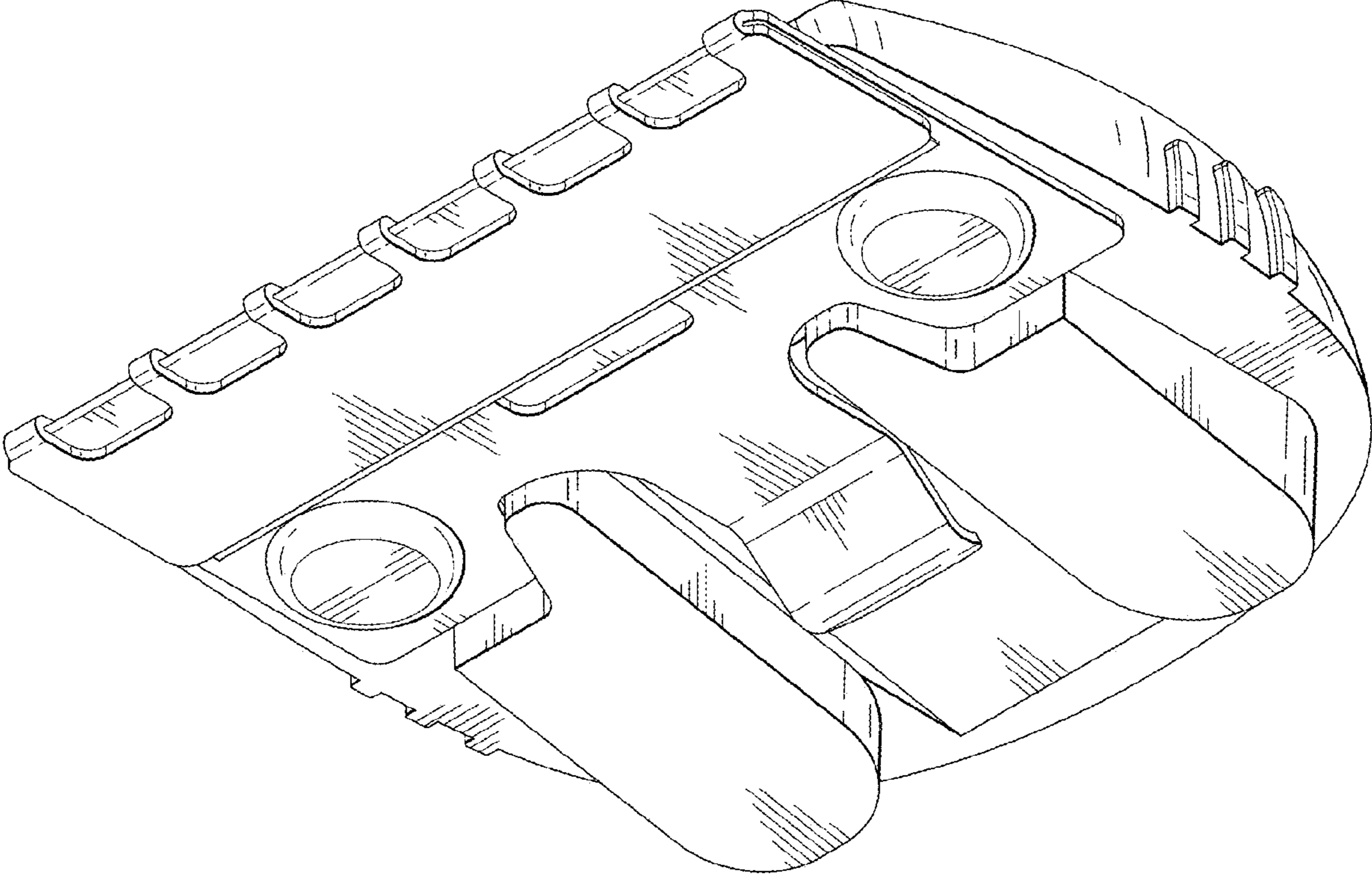


FIG. 27