



US00D967527S

(12) **United States Design Patent** (10) **Patent No.:** **US D967,527 S**  
**Yang et al.** (45) **Date of Patent:** **\*\* Oct. 18, 2022**

(54) **HAIR REMOVAL DEVICE**  
(71) Applicant: **Shenzhen Waspo Technology Co., Ltd., Shenzhen (CN)**  
(72) Inventors: **Guang Yang, Shenzhen (CN); Bo Yang, Shenzhen (CN); Xiang Chen, Shenzhen (CN)**  
(73) Assignee: **Shenzhen Waspo Technology Co., Ltd., Shenzhen (CN)**

D865,288 S \* 10/2019 Huang ..... D28/44.1  
D895,207 S \* 9/2020 Huang ..... D24/209  
D895,897 S \* 9/2020 Huang ..... D24/209  
D908,957 S \* 1/2021 Huang ..... D24/209  
D912,323 S \* 3/2021 An ..... D24/209  
D924,485 S 7/2021 Costacurta  
D936,289 S 11/2021 Boss et al.  
D939,769 S \* 12/2021 Yao ..... D24/209  
D940,953 S \* 1/2022 Thalmann ..... D24/209  
D946,826 S \* 3/2022 Gong ..... D24/209

(\*\*) Term: **15 Years**

(21) Appl. No.: **29/817,410**

(22) Filed: **Dec. 1, 2021**

(51) **LOC (13) Cl.** ..... **28-03**

(52) **U.S. Cl.**  
USPC ..... **D28/44.1; D24/209; D24/214**

(58) **Field of Classification Search**  
USPC ..... D24/209, 214, 133, 147; D28/44, 44.1  
CPC ..... A45D 2026/0095; A45D 26/00; A45D 26/0004-0009; A45D 26/0057; A45D 26/0071; A61B 2018/0047  
See application file for complete search history.

(56) **References Cited**

**U.S. PATENT DOCUMENTS**

D589,650 S \* 3/2009 Adriaenssen ..... D24/133  
D656,620 S \* 3/2012 Altshuler ..... D24/209  
D660,448 S \* 5/2012 Lum ..... D24/209  
D706,980 S \* 6/2014 Tasar ..... D24/209  
D808,076 S \* 1/2018 Gabriele ..... D28/44.1  
D827,929 S \* 9/2018 Mathieu ..... D28/44  
D843,656 S \* 3/2019 Zhang ..... D24/209  
D844,896 S \* 4/2019 Levi ..... D24/209  
D864,405 S \* 10/2019 Yan ..... D24/209

**FOREIGN PATENT DOCUMENTS**

WO WO-2015098427 A1 \* 7/2015 ..... A45D 26/00

\* cited by examiner

*Primary Examiner* — Jennifer Rivard

(74) *Attorney, Agent, or Firm* — ScienBiziP, P.C.

(57) **CLAIM**

The ornamental design for a hair removal device, as shown and described.

**DESCRIPTION**

FIG. 1 is a front, right and top perspective view of a Hair removal device, showing our design.

FIG. 2 is a rear, left and bottom perspective view thereof.

FIG. 3 is a front elevation view thereof.

FIG. 4 is a rear elevation view thereof.

FIG. 5 is a left side elevation view thereof.

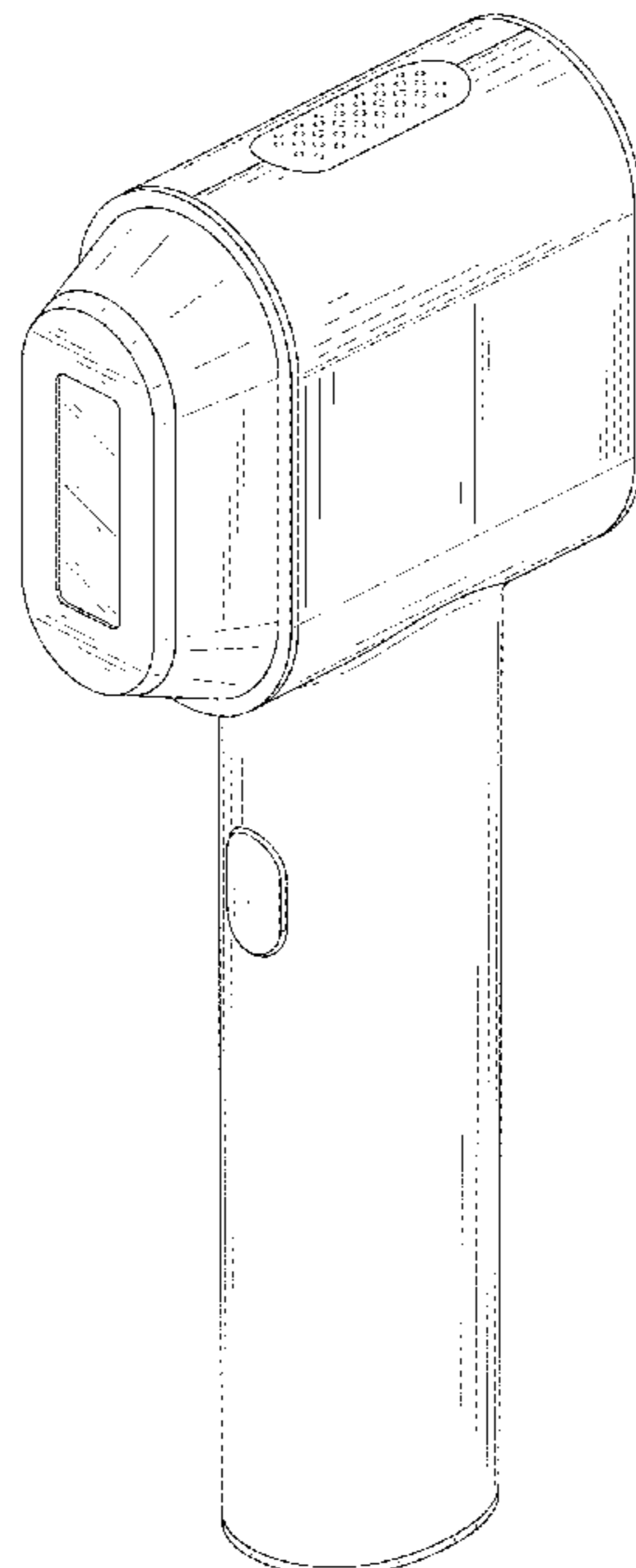
FIG. 6 is a right side elevation view thereof.

FIG. 7 is a top plan view thereof; and,

FIG. 8 is a bottom plan view thereof.

The broken lines shown in the drawings are included for the purpose of illustrating portions of the hair removal device that form no part of the claimed design.

**1 Claim, 8 Drawing Sheets**



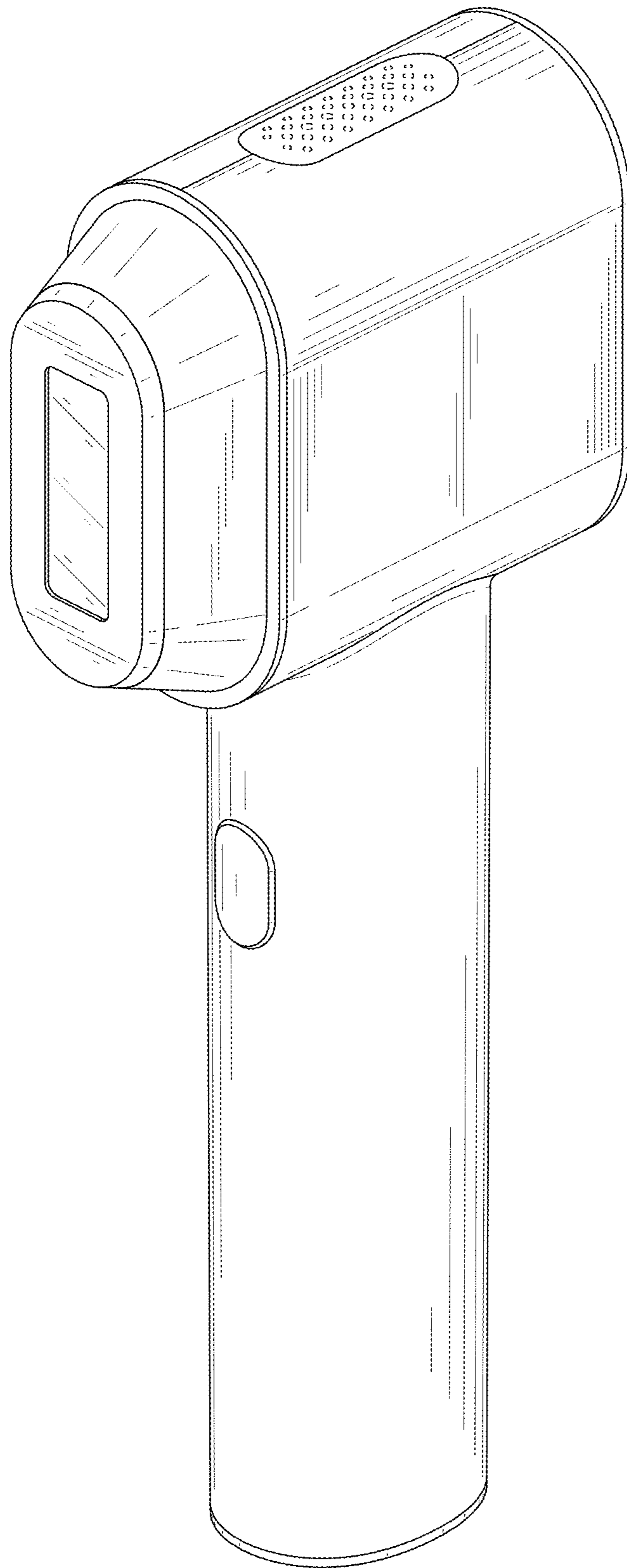


FIG. 1

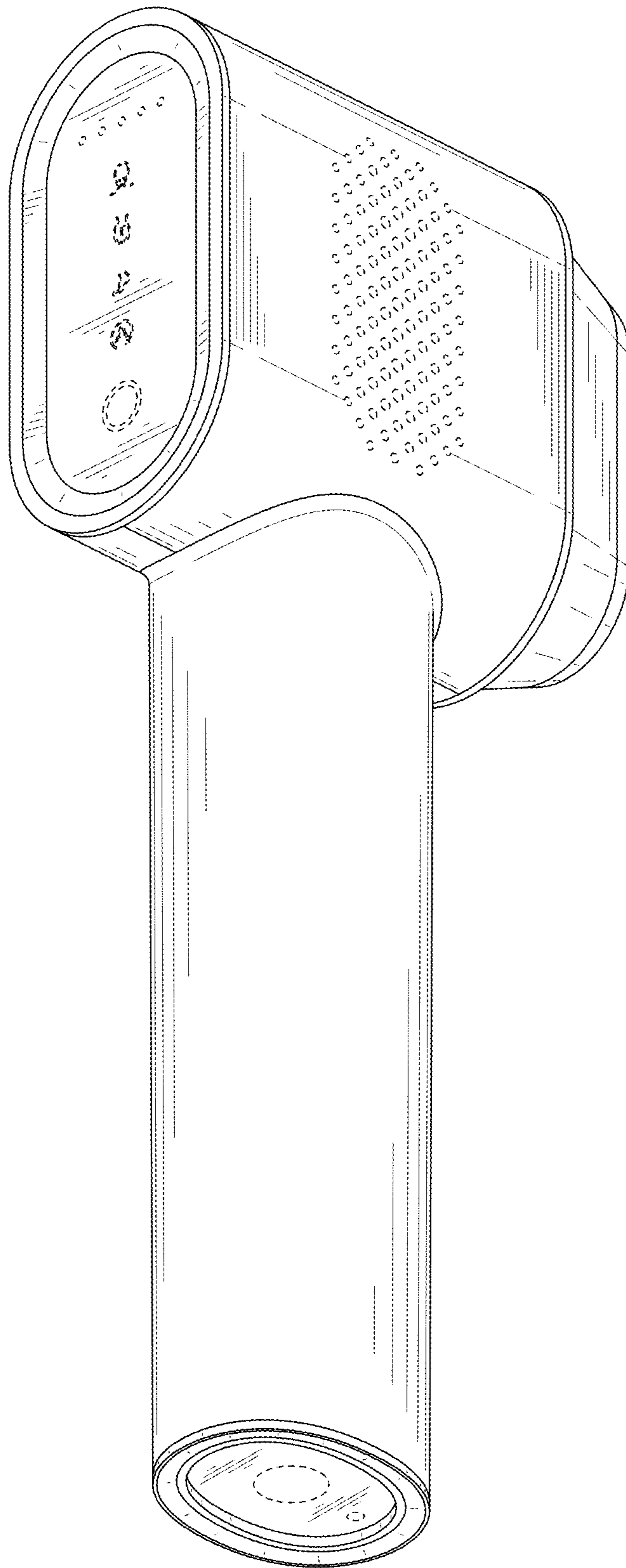


FIG. 2

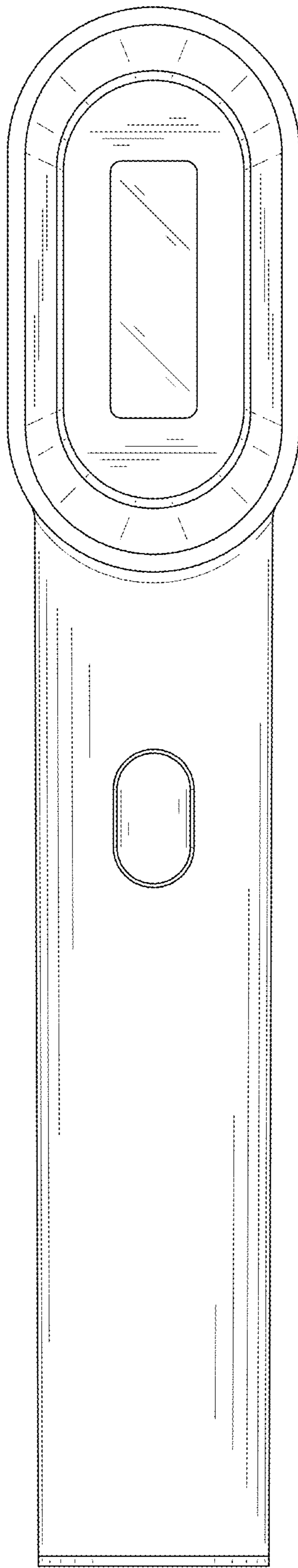


FIG. 3

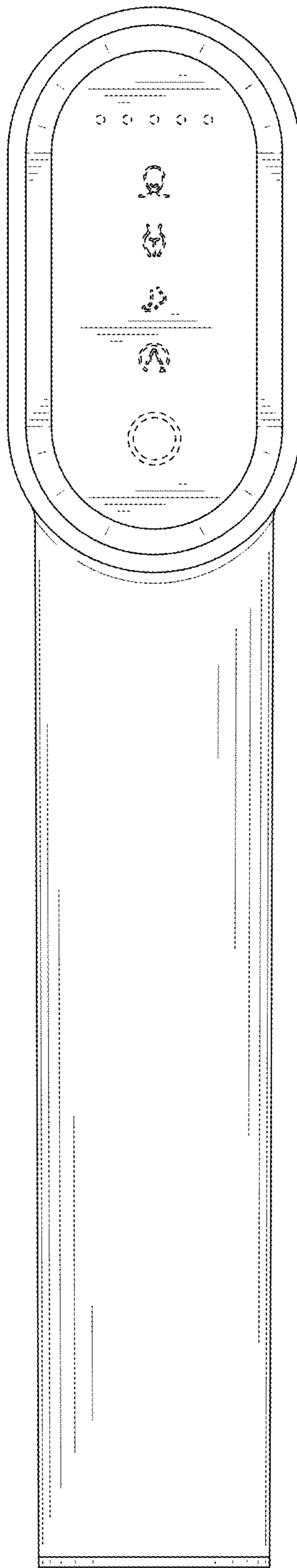


FIG. 4



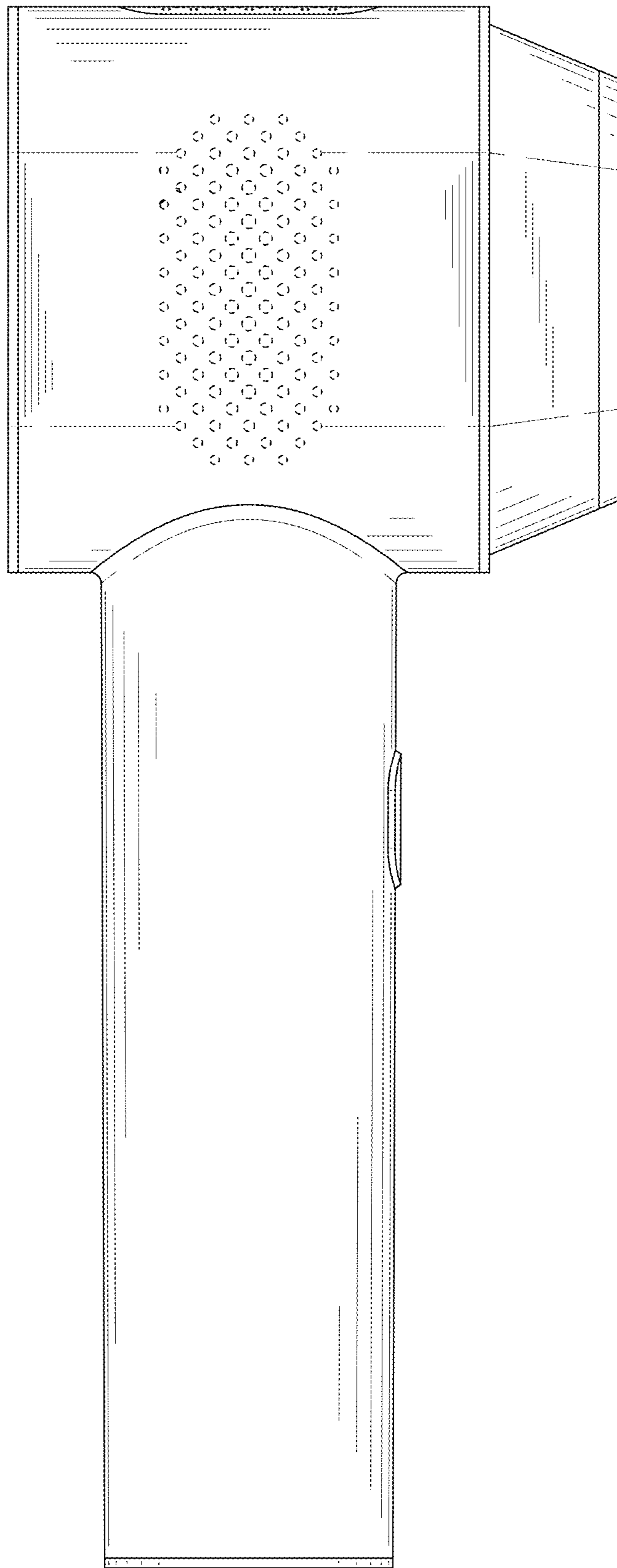


FIG. 5

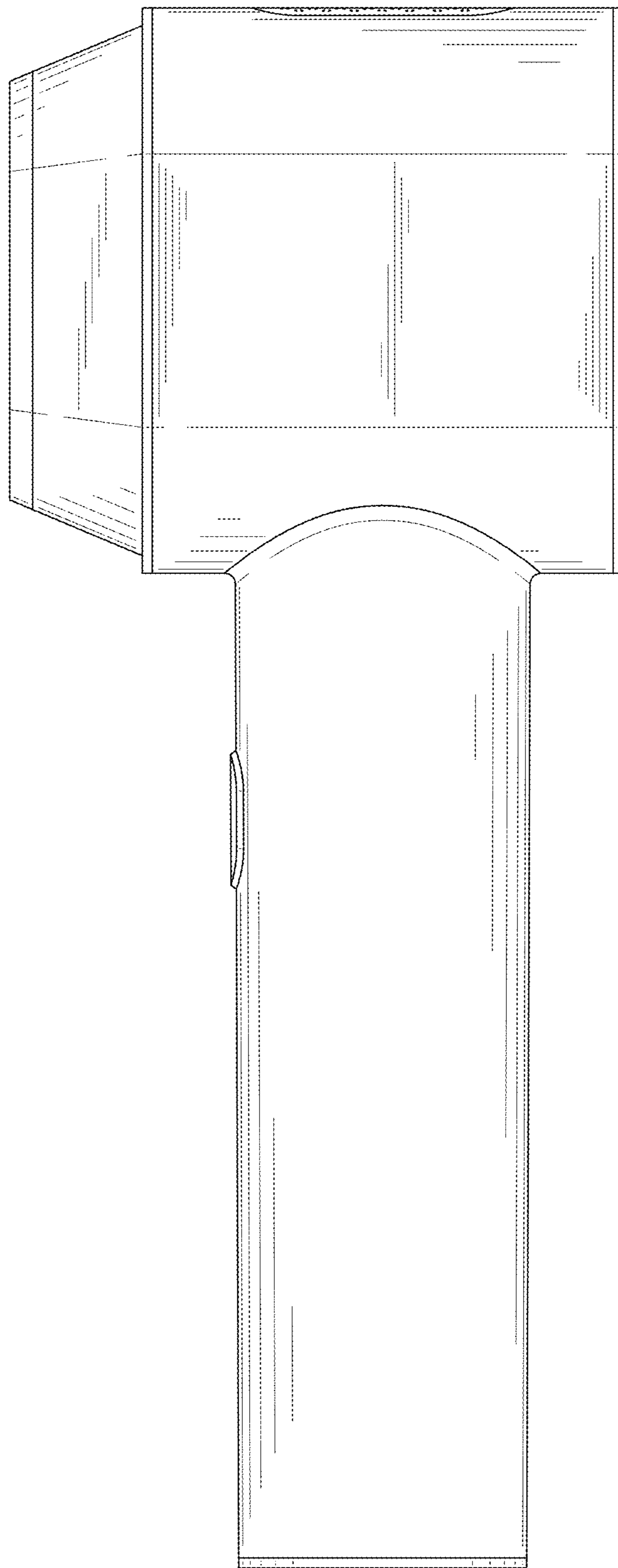


FIG. 6

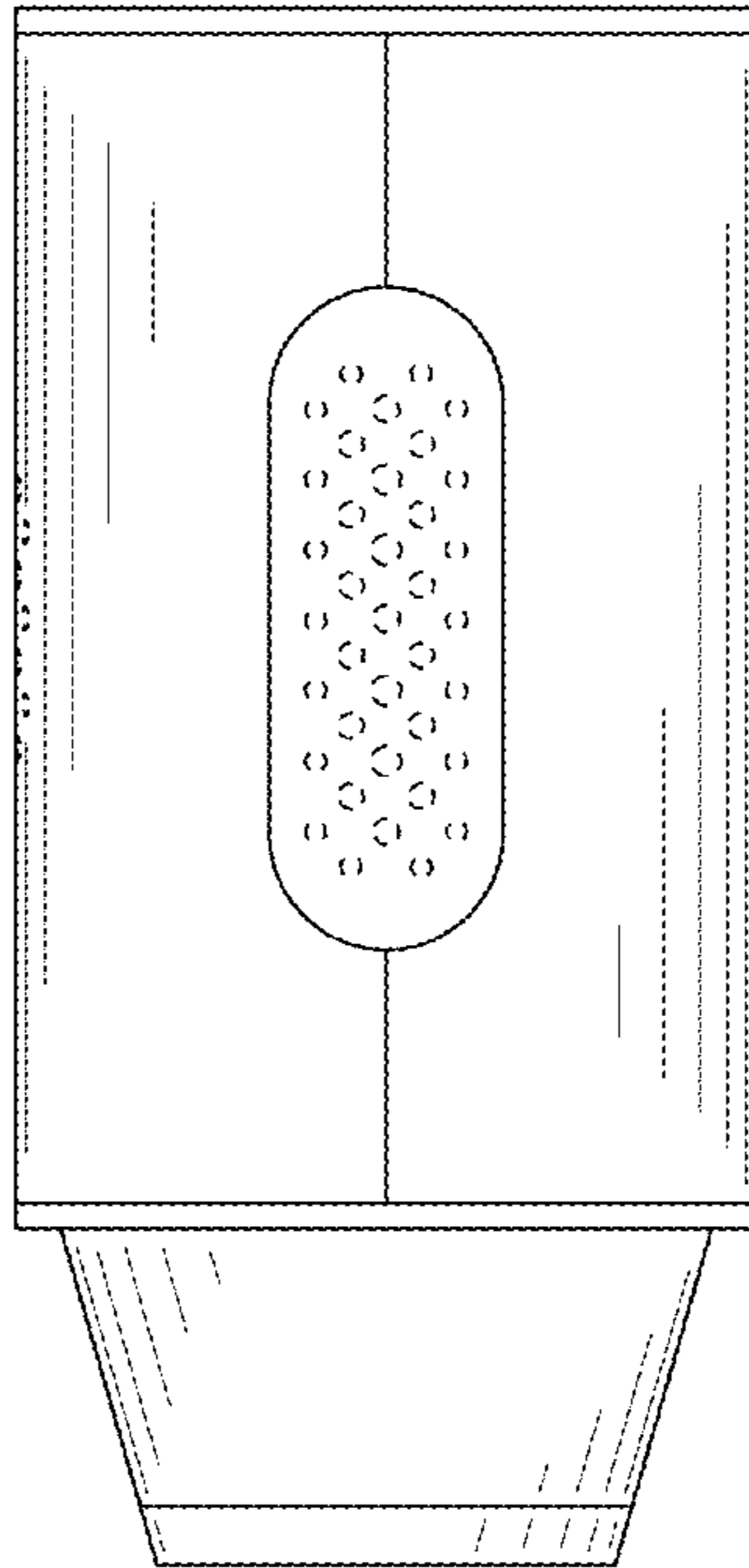


FIG. 7



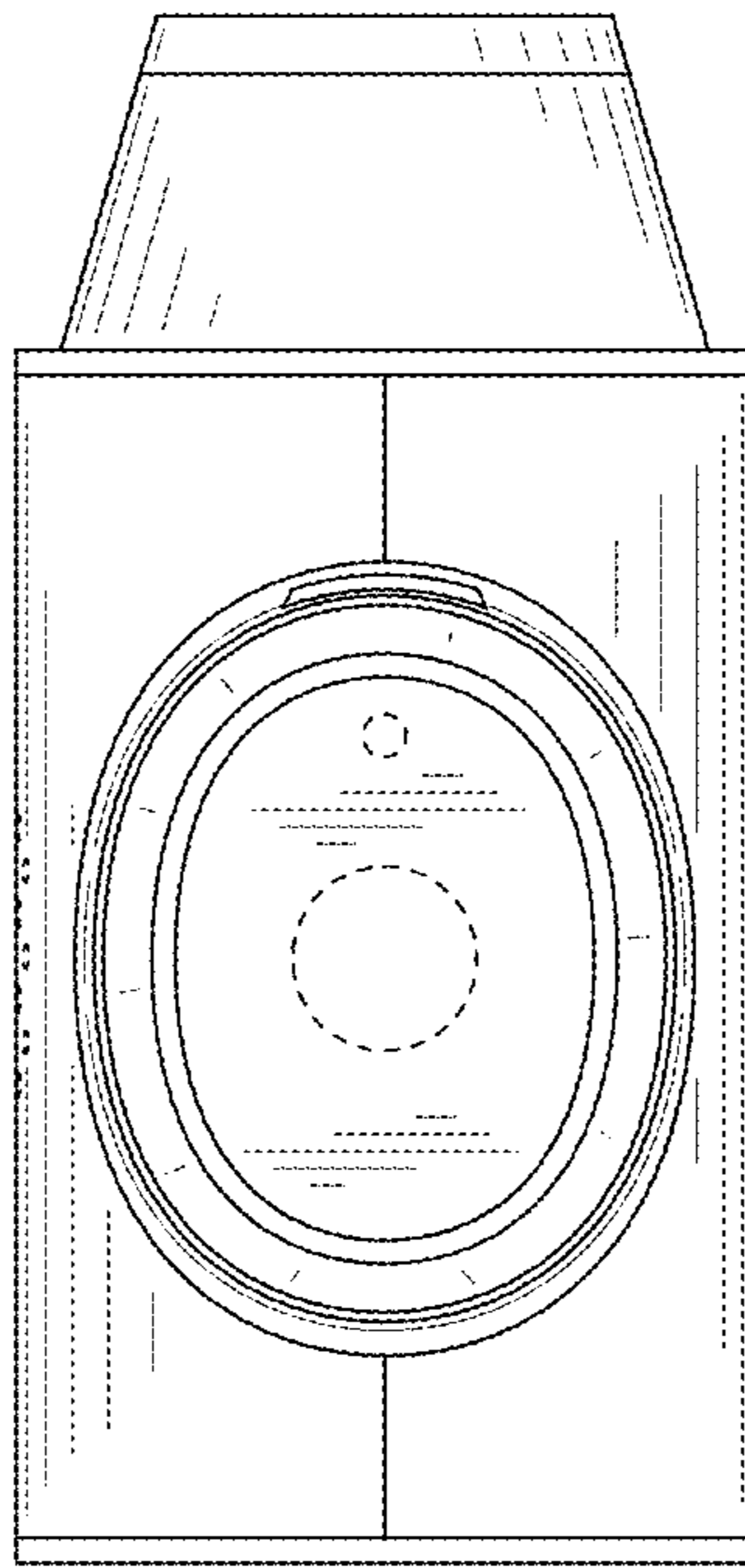


FIG. 8