



US00D967526S

(12) **United States Design Patent** (10) **Patent No.:** **US D967,526 S**
Kling (45) **Date of Patent:** **** Oct. 18, 2022**

(54) **HAIR REMOVING APPLIANCE**
(71) Applicant: **Braun GmbH**, Kronberg (DE)
(72) Inventor: **Björn Kling**, Glashütten (DE)
(73) Assignee: **Braun GMBH**, Kronberg (DE)
(**) Term: **15 Years**
(21) Appl. No.: **29/757,501**
(22) Filed: **Nov. 6, 2020**

D705,992 S 5/2014 Levi et al.
D765,868 S * 9/2016 Pippel D24/187
D776,873 S 1/2017 Levi et al.
D776,874 S * 1/2017 Kling D24/209
D782,684 S * 3/2017 Pippel D24/186
D787,083 S 5/2017 Ely et al.
D802,841 S * 11/2017 Kling D24/209
D820,464 S * 6/2018 Gabriele D24/209
D860,534 S * 9/2019 Huang D28/44.1
D863,578 S 10/2019 Yan et al.
D864,405 S 10/2019 Yan et al.
D872,362 S 1/2020 Long
D899,688 S * 10/2020 Li D24/209
D901,774 S * 11/2020 Liu D24/209
D905,335 S * 12/2020 Kling D24/209
D939,770 S * 12/2021 Yao D24/209
D944,452 S * 2/2022 Li D24/209

Related U.S. Application Data

(62) Division of application No. 29/682,385, filed on Mar. 5, 2019, now Pat. No. Des. 905,335.

Foreign Application Priority Data

(30) Sep. 7, 2018 (WO) 8827401
(51) **LOC (13) Cl.** **28-03**
(52) **U.S. Cl.**
USPC **D28/44.1**; D24/209; D24/214
(58) **Field of Classification Search**
USPC D24/209, 214, 133, 147; D28/44, 44.1
CPC A45D 2026/0095; A45D 26/00; A45D
26/0004-0009; A45D 26/0057; A45D
26/0071; A61B 2018/0047
See application file for complete search history.

References Cited

U.S. PATENT DOCUMENTS

6,416,521 B1 7/2002 Waldner et al.
6,443,961 B1 9/2002 Waldner et al.
D656,620 S 3/2012 Altshuler et al.
D660,448 S 3/2012 Lum et al.
D660,974 S 5/2012 Jones et al.
D685,523 S 7/2013 Buogo et al.
D703,378 S 4/2014 Grabes et al.

(Continued)

OTHER PUBLICATIONS

All Office Actions; U.S. Appl. No. 29/682,385.

Primary Examiner — Jennifer Rivard

(74) *Attorney, Agent, or Firm* — Kevin C. Johnson

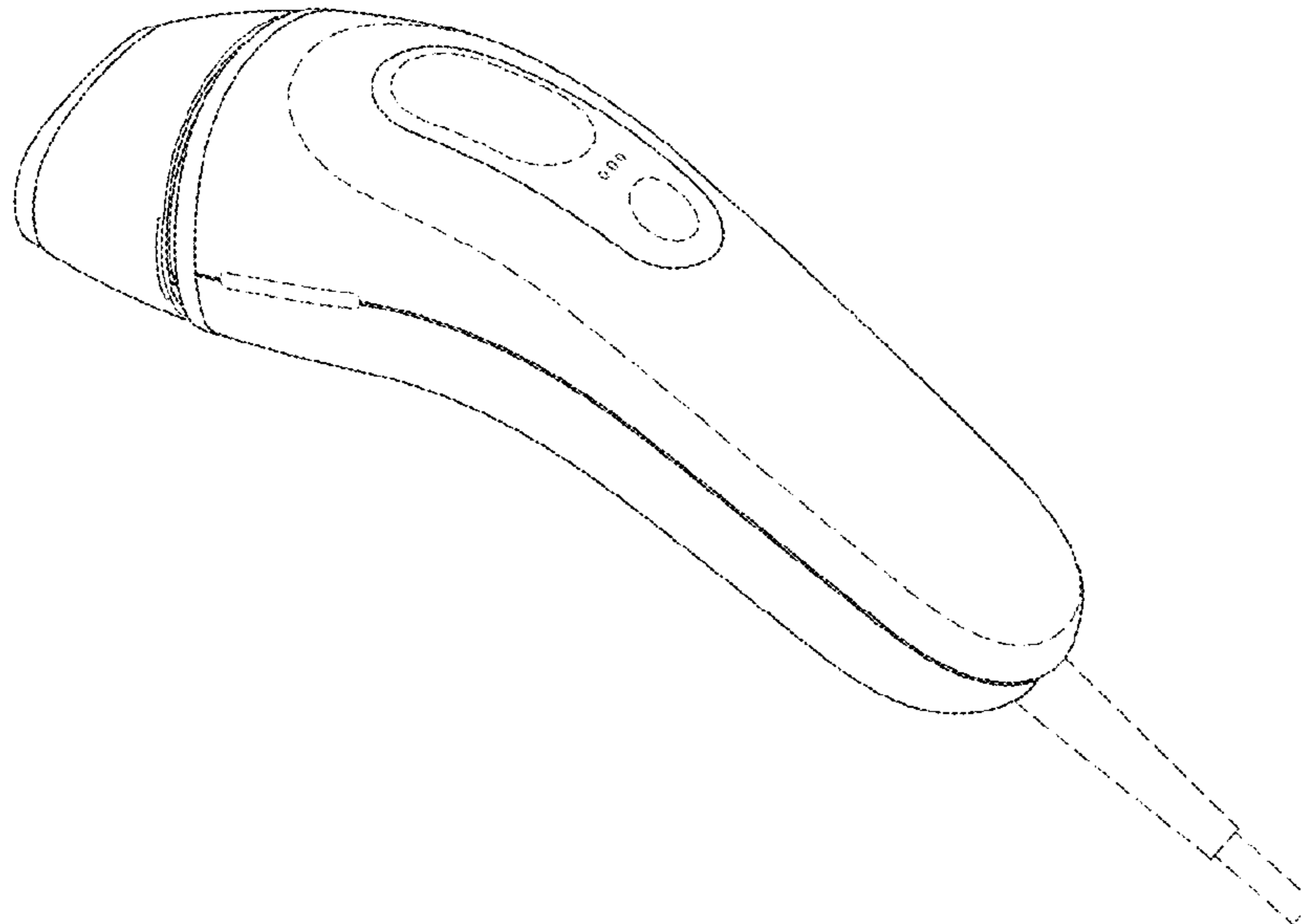
(57) **CLAIM**

The ornamental design for a hair removing appliance, as shown and described.

DESCRIPTION

FIG. 1 is a perspective view of a hair removing appliance; FIG. 2 is a front view thereof; FIG. 3 is a right side view thereof; FIG. 4 is a rear view thereof; FIG. 5 is a left side view thereof; FIG. 6 is a top plan view thereof; FIG. 7 is a bottom view thereof; and, FIG. 8 is a perspective view thereof. The portions of the hair removing appliance shown in broken lines form no part of the claimed design.

1 Claim, 8 Drawing Sheets



(56)

References Cited

U.S. PATENT DOCUMENTS

2011/0270365 A1 11/2011 Hamada et al.
2015/0209108 A1 7/2015 Kim

* cited by examiner

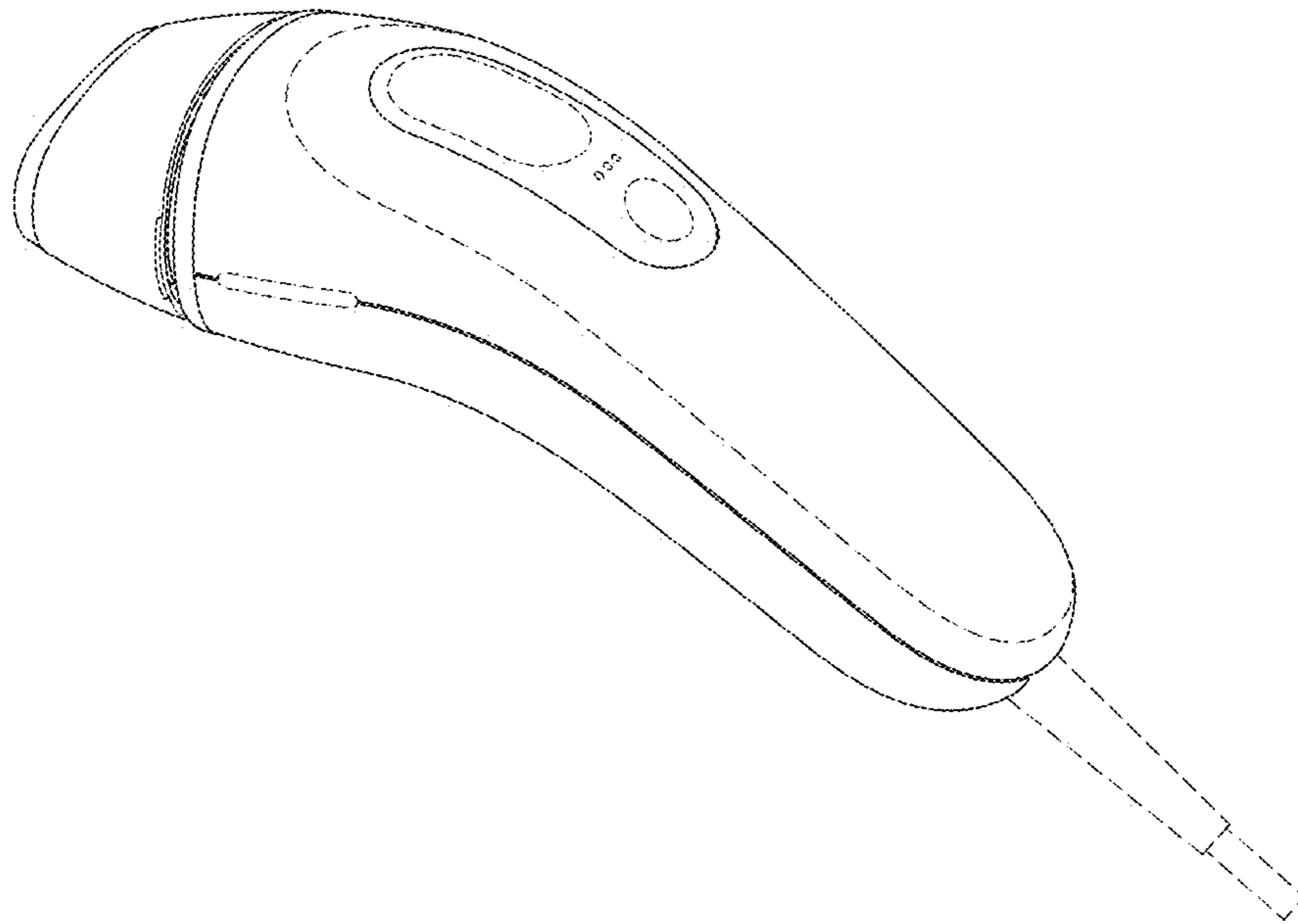


Figure 1

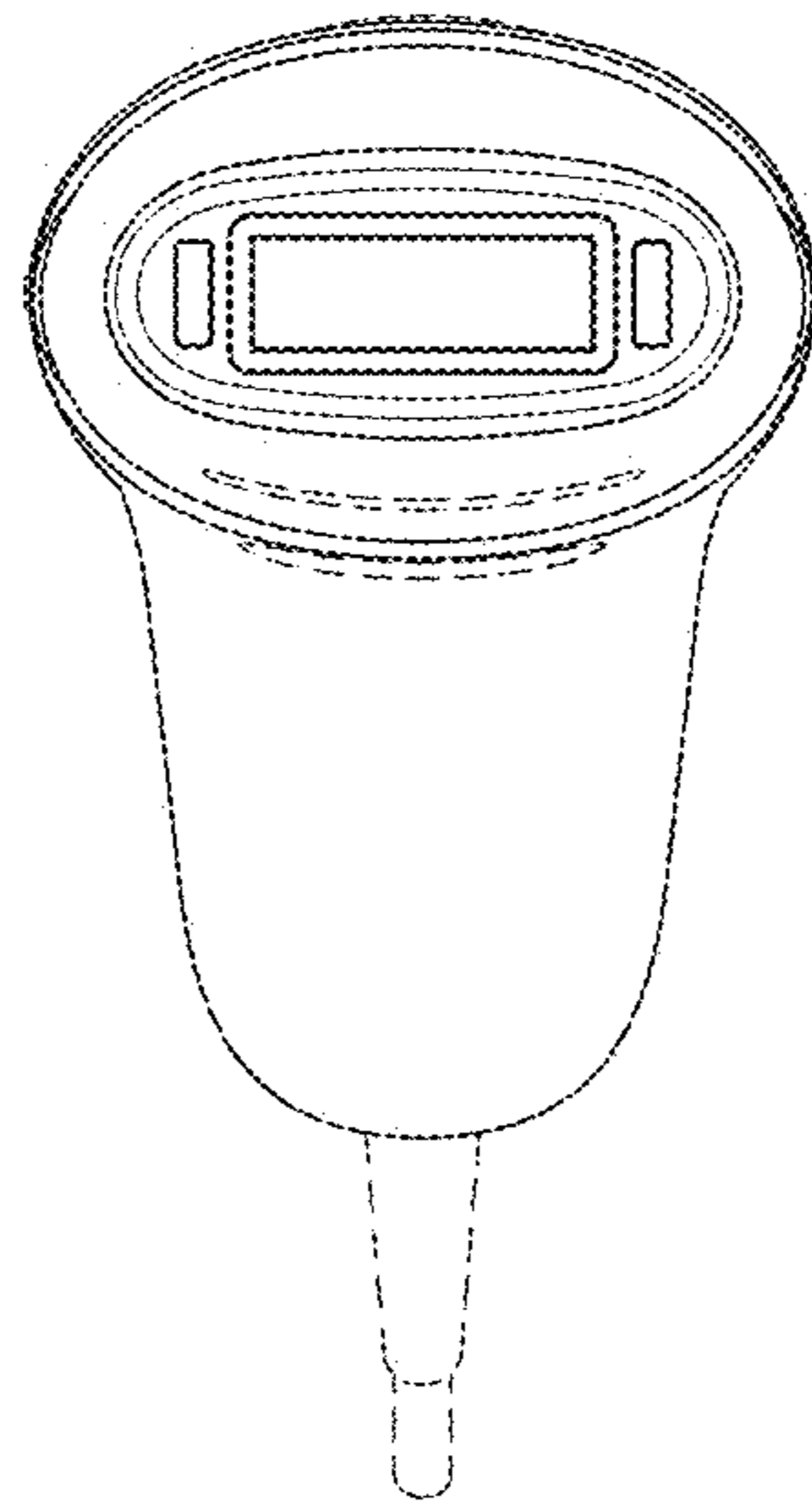


Figure 2

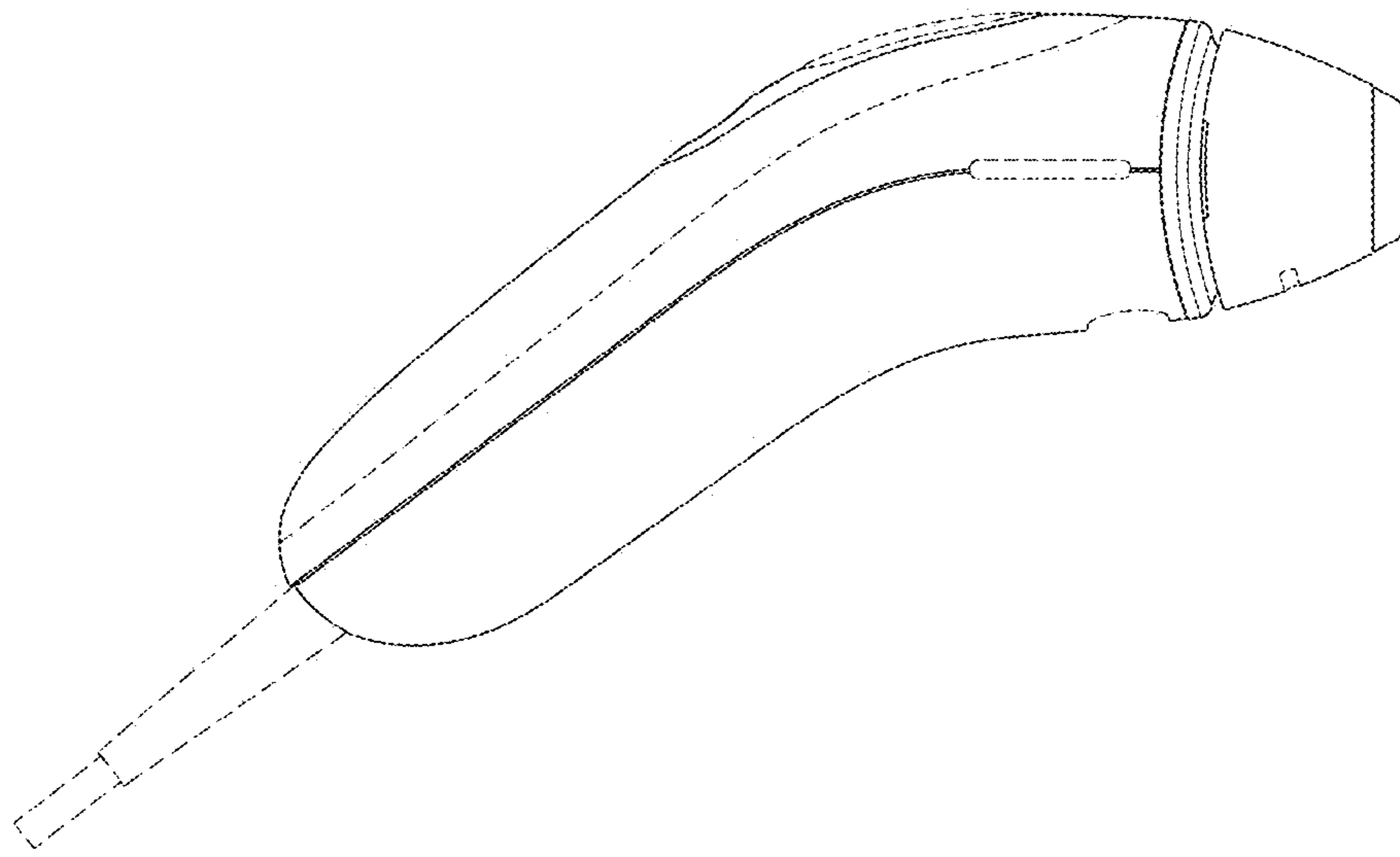


Figure 3

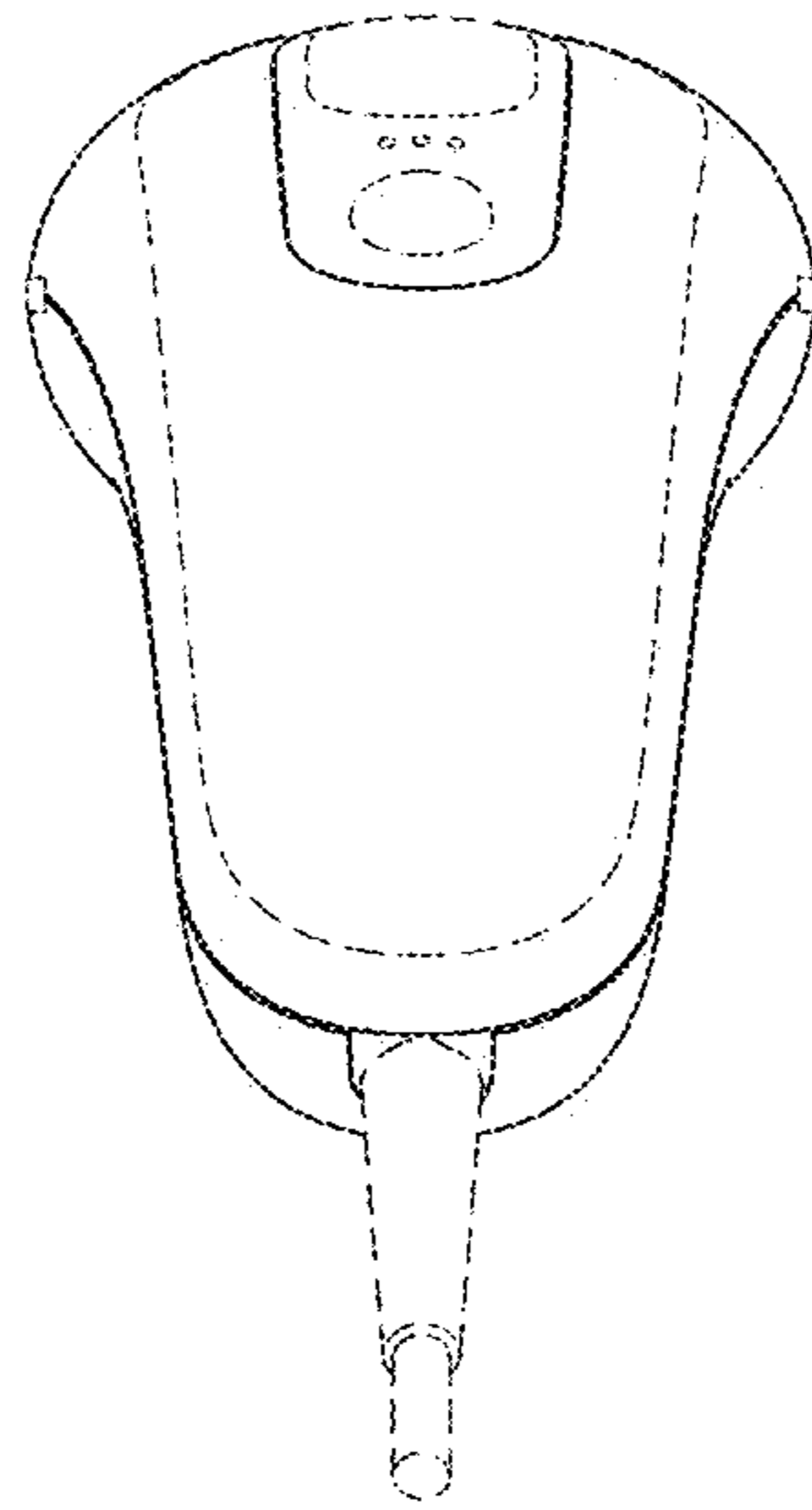


Figure 4

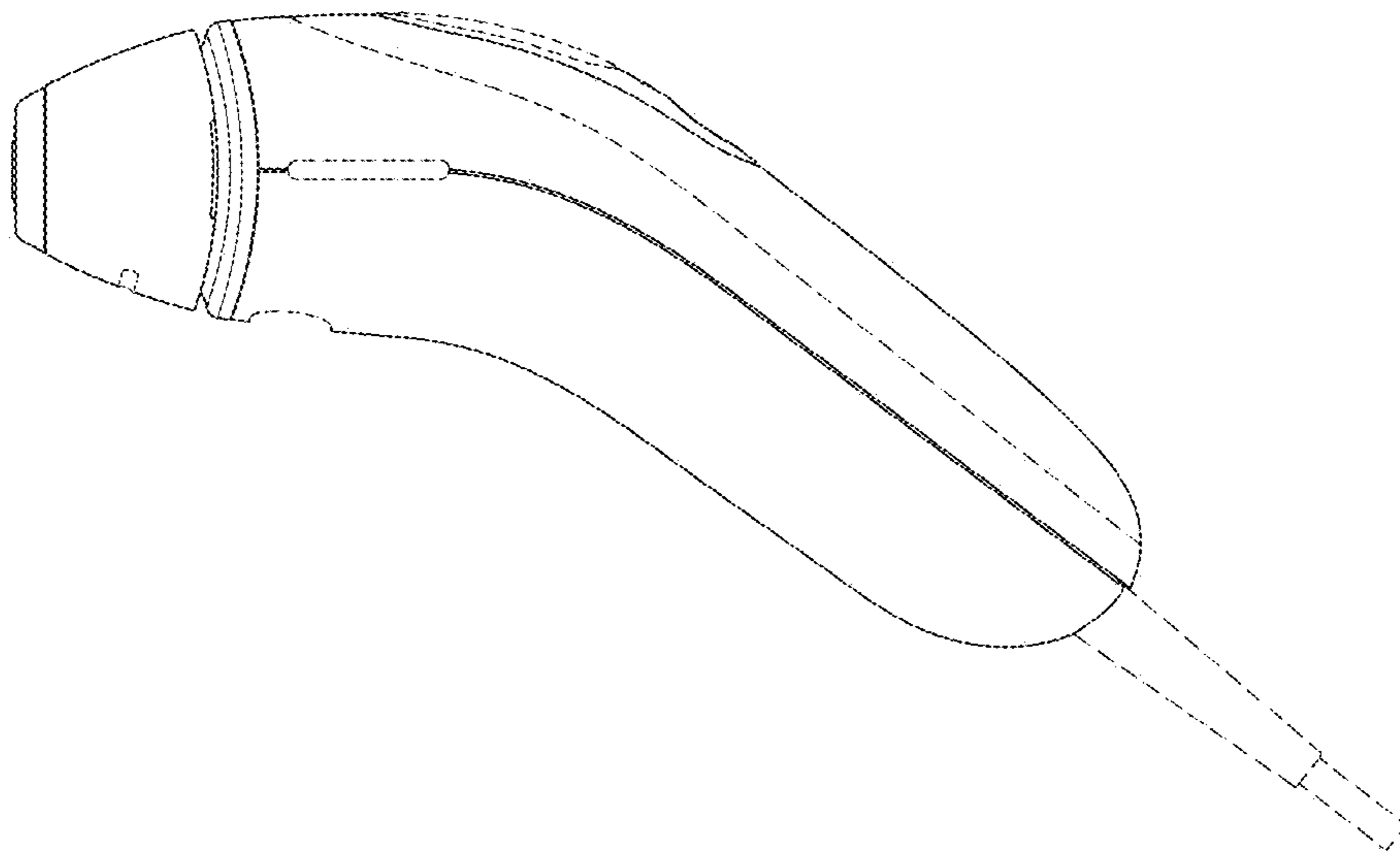


Figure 5

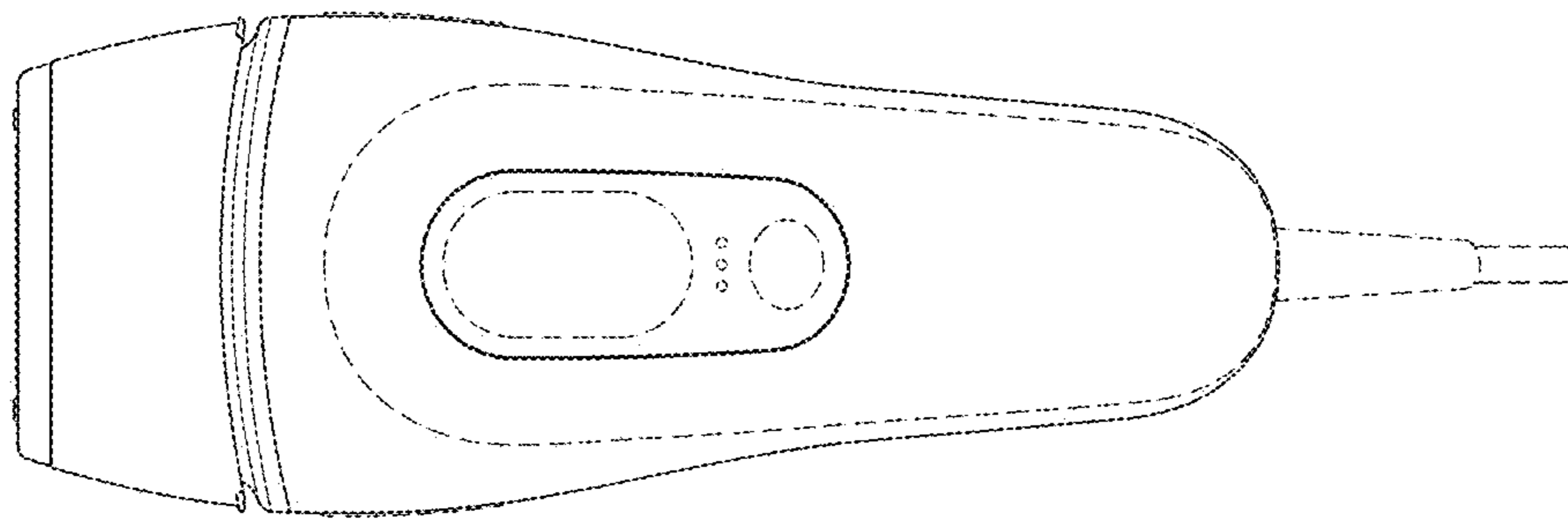


Figure 6

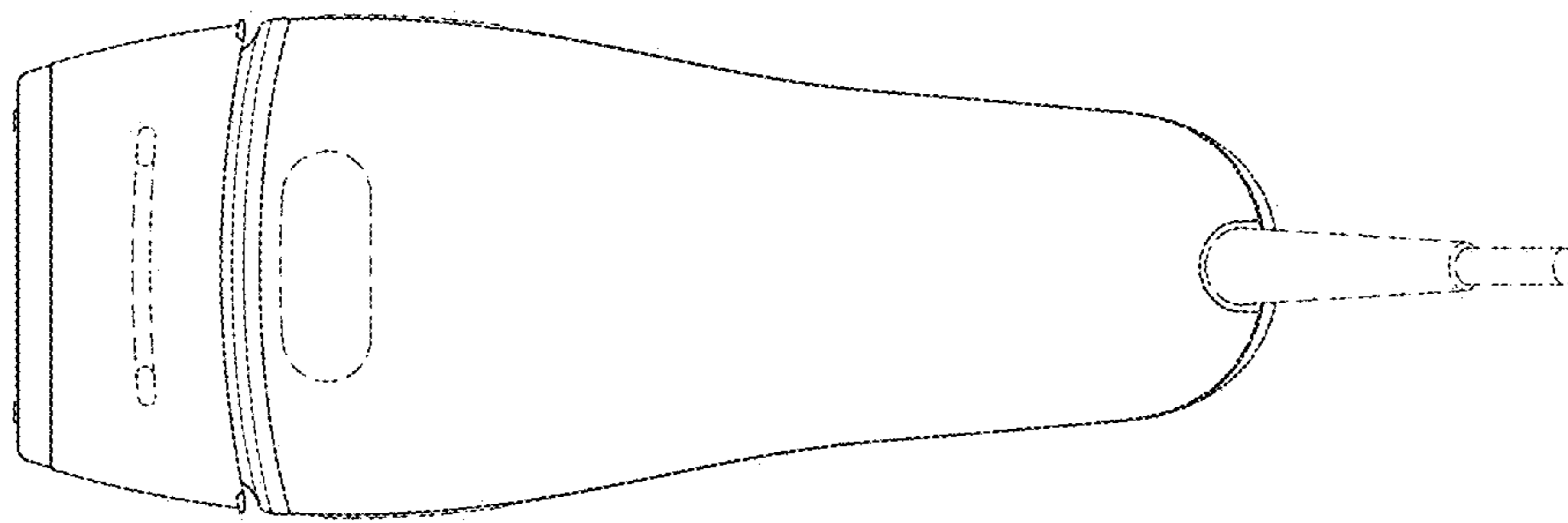


Figure 7

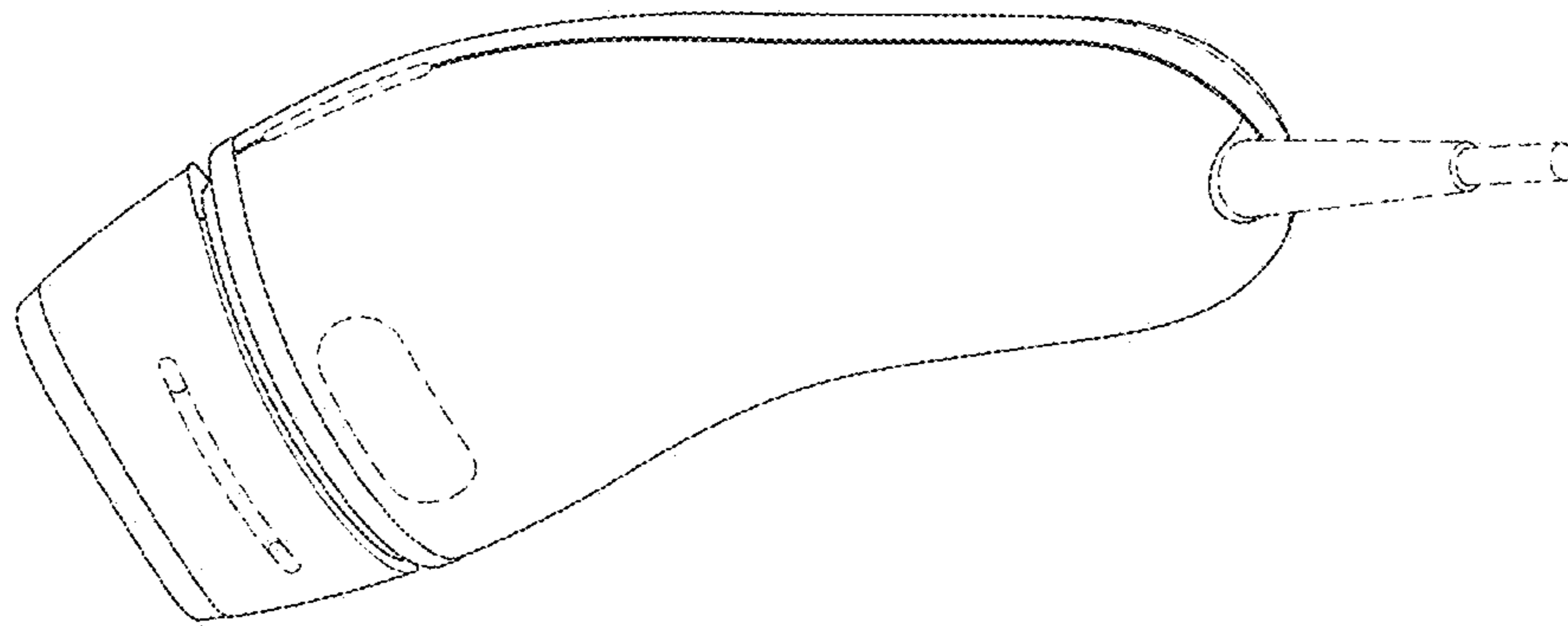


Figure 8