



US00D967522S

(12) **United States Design Patent** (10) **Patent No.:** **US D967,522 S**
Hillebrecht et al. (45) **Date of Patent:** **** Oct. 18, 2022**

(54) **HANDLE FOR BEAUTY TOOL**

D946,899 S * 3/2022 Yang D4/100
D951,647 S * 5/2022 Xiao D4/133
2022/0133011 A1* 5/2022 Paliobeis A45D 2/001
132/271

(71) Applicant: **Helen of Troy Limited**, St. Michael (BB)

FOREIGN PATENT DOCUMENTS

(72) Inventors: **Luke Hillebrecht**, El Paso, TX (US);
Dio Climaco Cavero, Merrick, NY (US); **Mathieu Zastawny**, Jersey City, NJ (US); **Maya Kremien**, New York, NY (US); **Yoon June Heo**, Fort Lee, NJ (US); **Aakriti Chandra**, Jersey City, NJ (US)

GB 2599399 A * 4/2022 A45D 1/04
GB 2600470 A * 5/2022 A45D 1/04

* cited by examiner

(73) Assignee: **Helen of Troy Limited**, St. Michael (BB)

Primary Examiner — Jennifer Rivard
(74) *Attorney, Agent, or Firm* — Rankin, Hill & Clark LLP

(**) Term: **15 Years**

(57) **CLAIM**

The ornamental design for a handle for beauty tool, as shown and described.

(21) Appl. No.: **29/751,100**

DESCRIPTION

(22) Filed: **Sep. 18, 2020**

(51) **LOC (13) Cl.** **28-03**

(52) **U.S. Cl.**
USPC **D28/35**; D28/18

(58) **Field of Classification Search**
USPC D4/100; D28/18, 35, 37
CPC A45D 20/48–525; A45D 1/04; A45D 2001/045; A45D 20/12–122; A45D 2/00
See application file for complete search history.

FIG. 1 is a perspective view of a first embodiment of a handle for beauty tool;
FIG. 2 is a front elevation view thereof;
FIG. 3 is a rear elevation view thereof;
FIG. 4 is a left side elevation view thereof;
FIG. 5 is a right side elevation view thereof;
FIG. 6 is a top plan view thereof;
FIG. 7 is a bottom plan view thereof;
FIG. 8 is a perspective view of a second embodiment of a handle for beauty tool;
FIG. 9 is a front elevation view thereof;
FIG. 10 is a rear elevation view thereof;
FIG. 11 is a left side elevation view thereof;
FIG. 12 is a right side elevation view thereof;
FIG. 13 is a top plan view thereof; and,
FIG. 14 is a bottom plan view thereof.

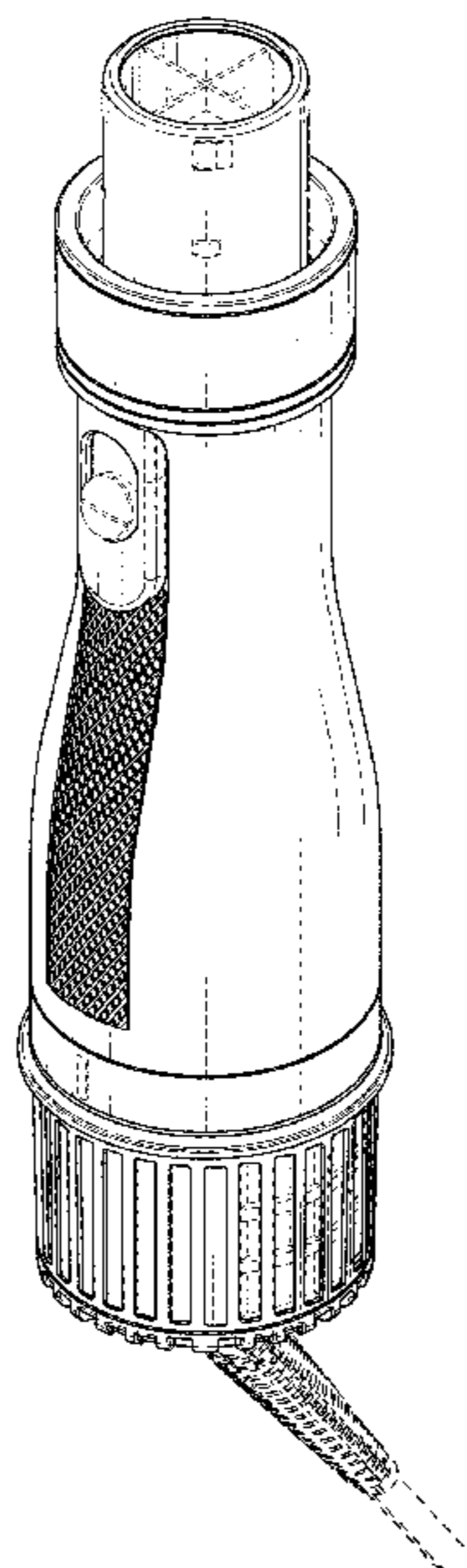
The broken lines in the drawings depict portions of the handle for beauty tool that form no part of the claimed design.

(56) **References Cited**

U.S. PATENT DOCUMENTS

D457,730 S * 5/2002 McCurrach D4/133
D850,001 S * 5/2019 Coulton D28/18
D853,637 S * 7/2019 Coulton D28/18
D853,638 S * 7/2019 Tappenden D28/18
D921,291 S * 6/2021 Zhang D4/133
D934,498 S * 10/2021 Hillebrecht D28/35
D942,073 S * 1/2022 Huang D28/35
D942,757 S * 2/2022 Zhang D28/35

1 Claim, 10 Drawing Sheets



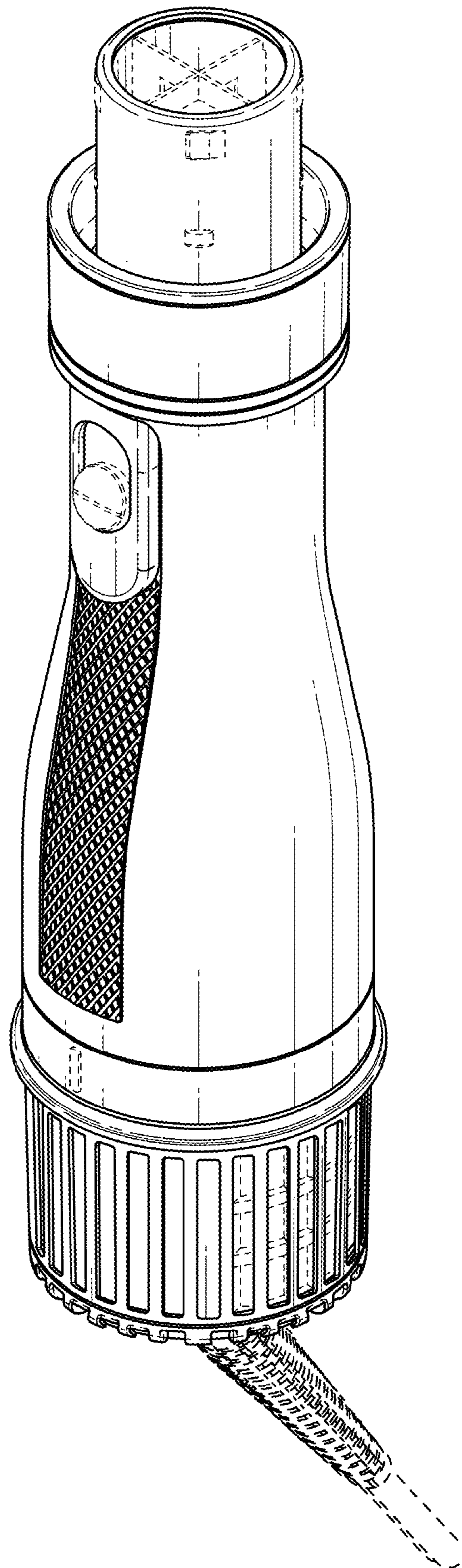


FIG. 1

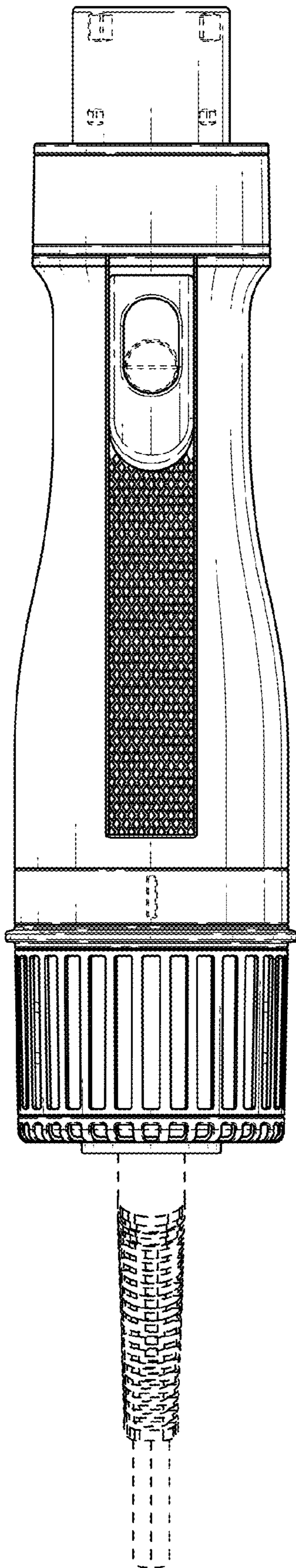


FIG. 2

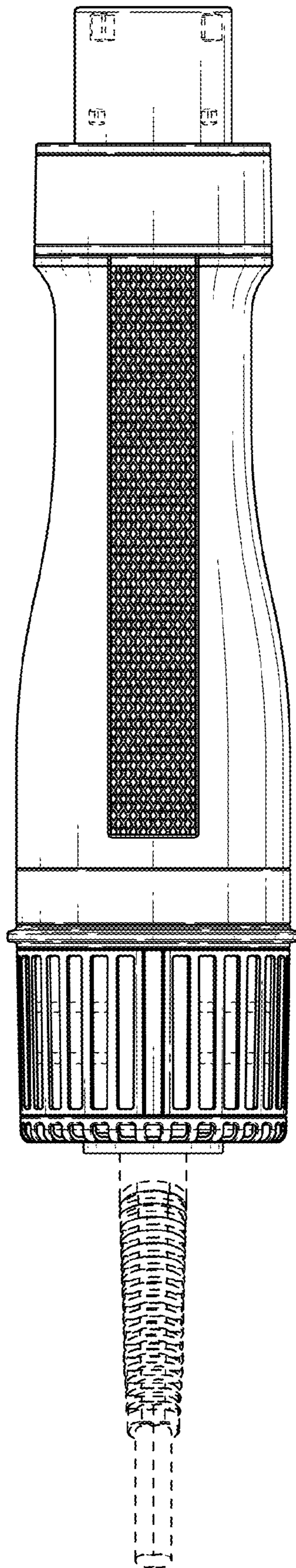


FIG. 3

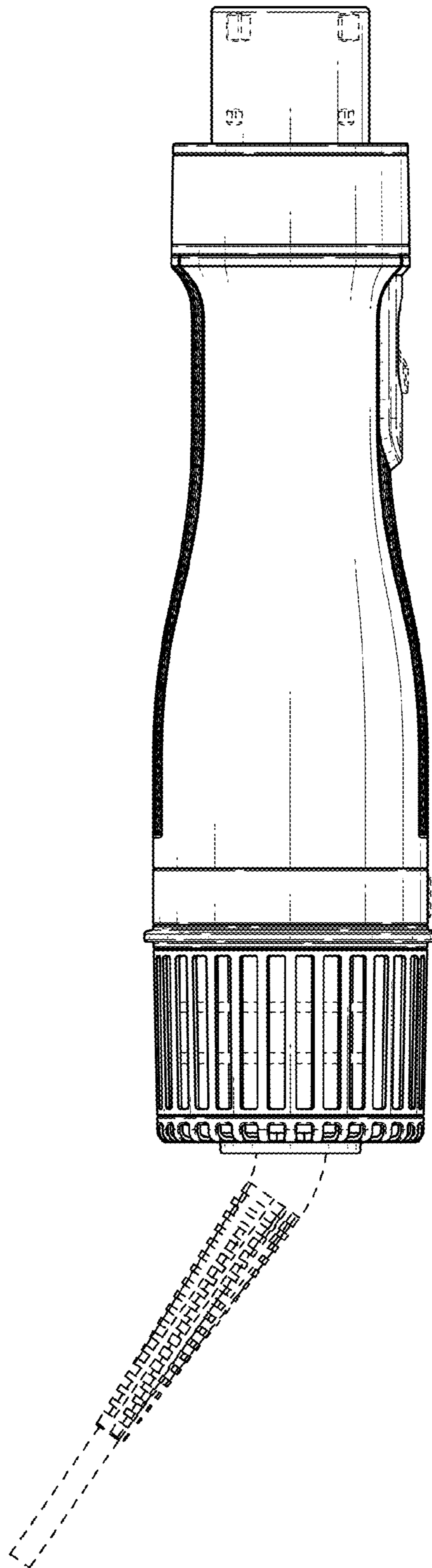


FIG. 4

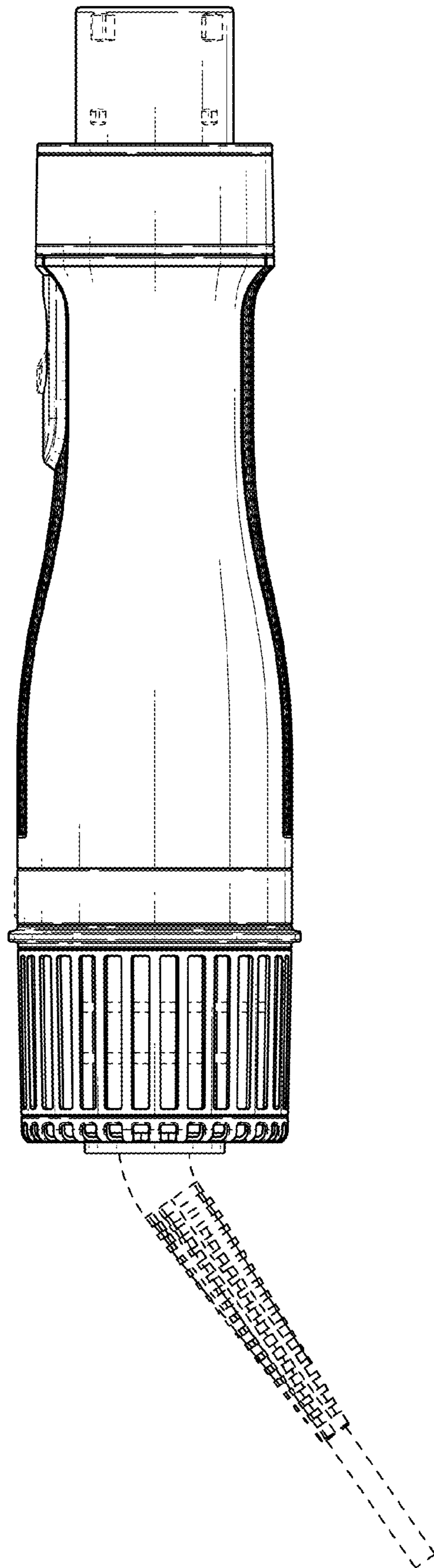


FIG. 5

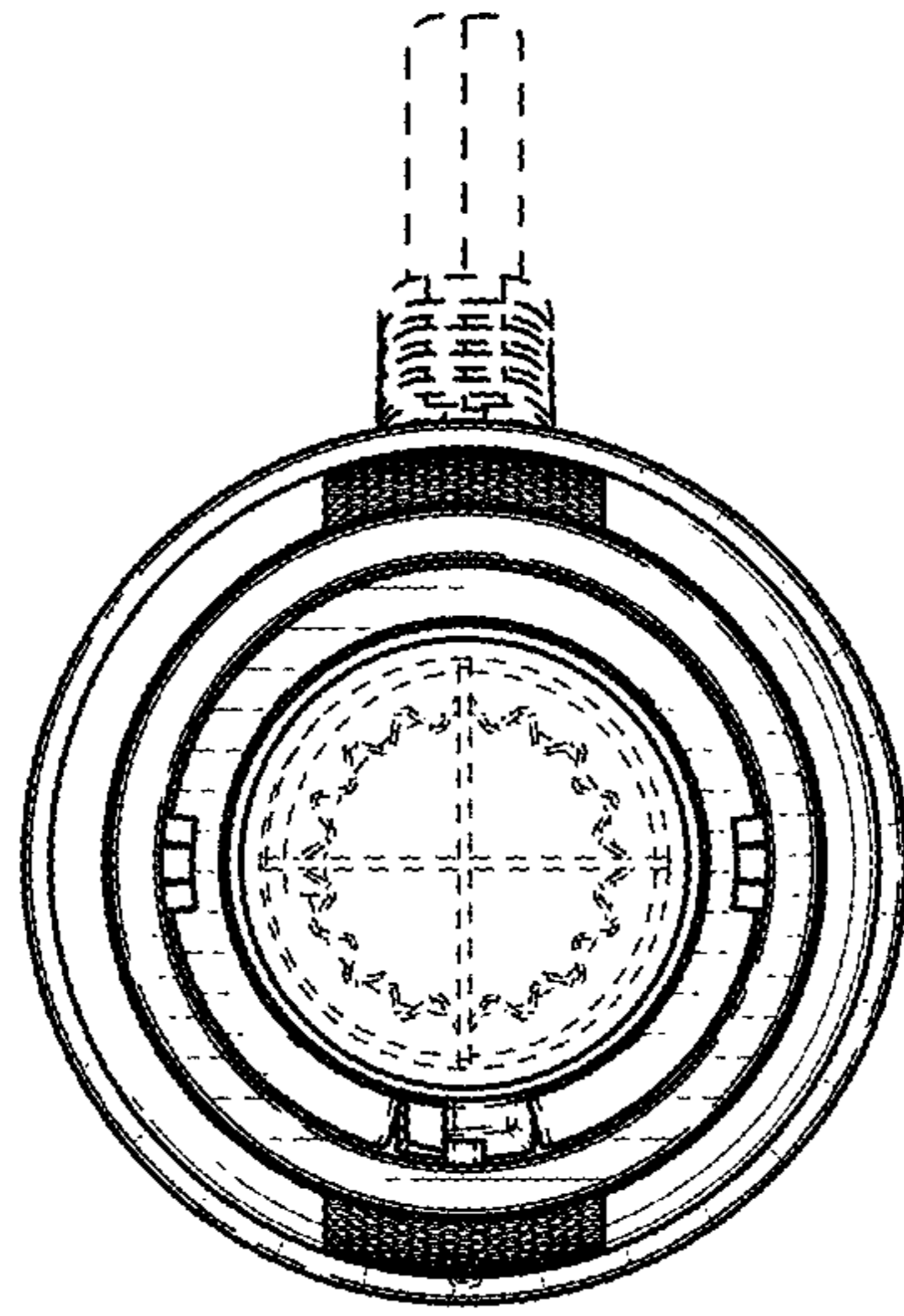


FIG. 6

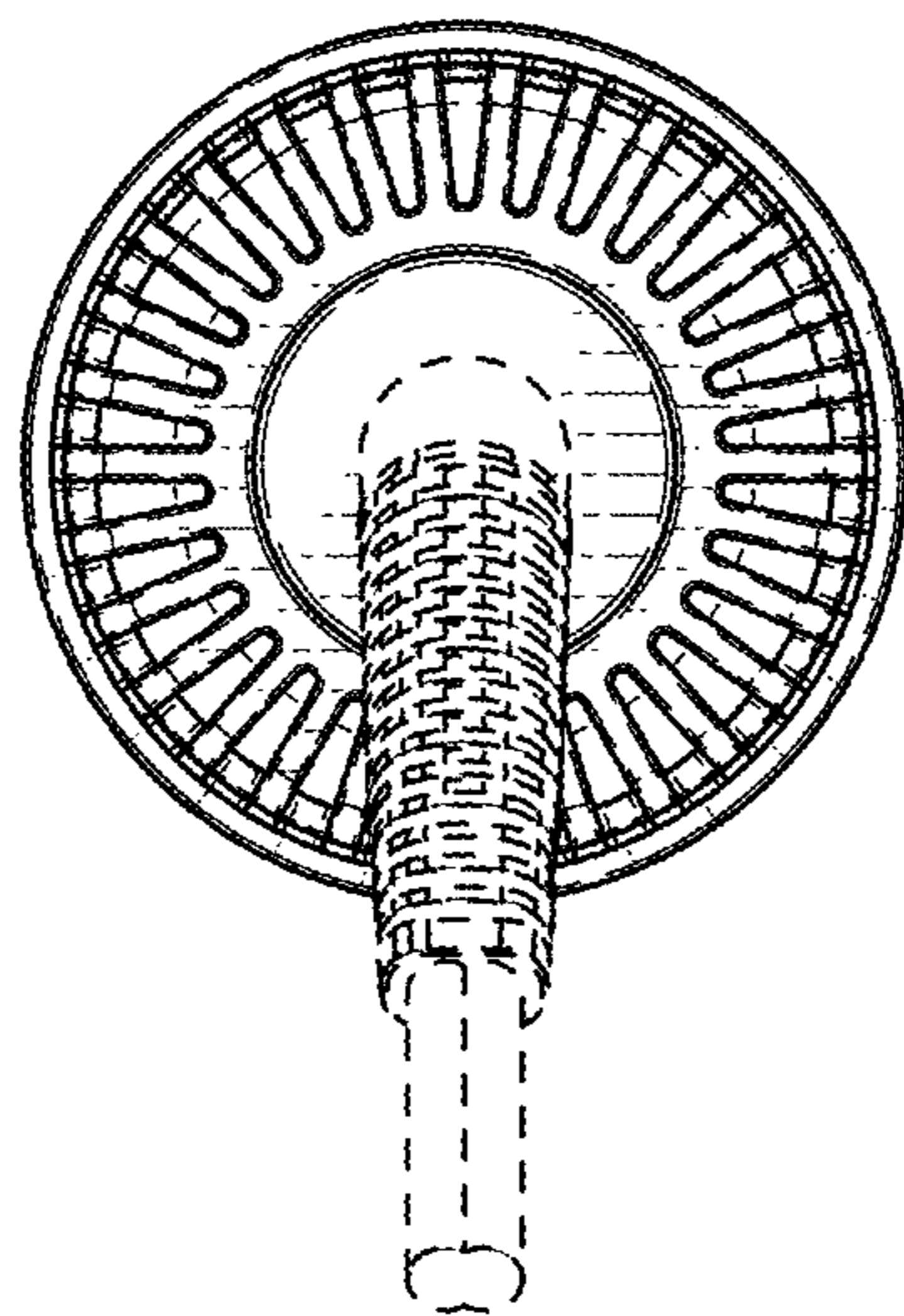


FIG. 7

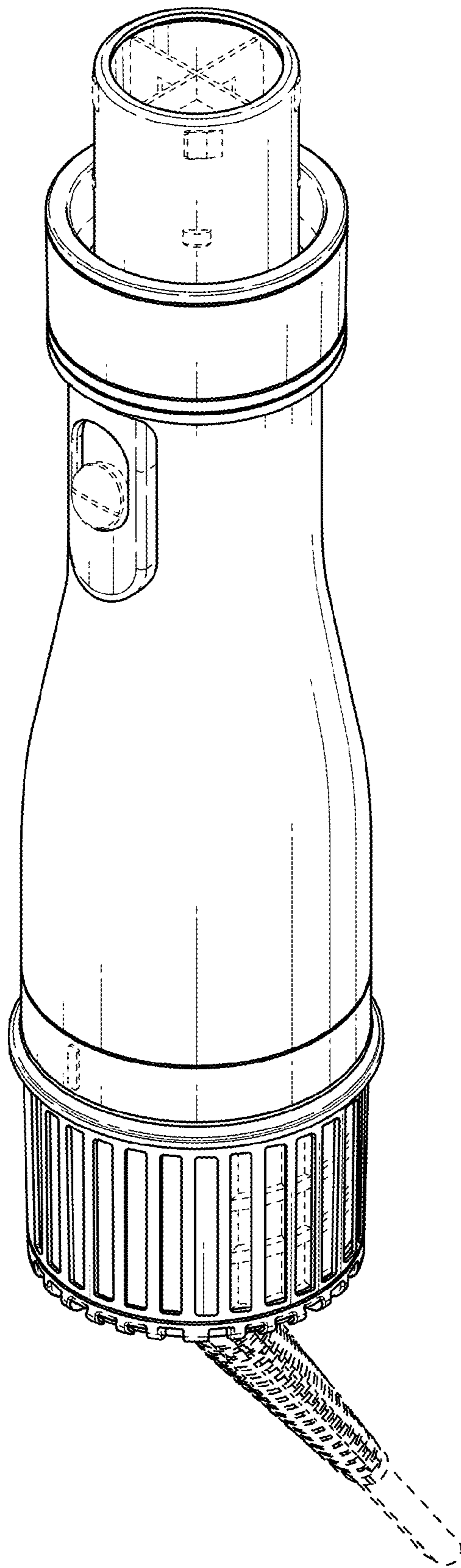


FIG. 8

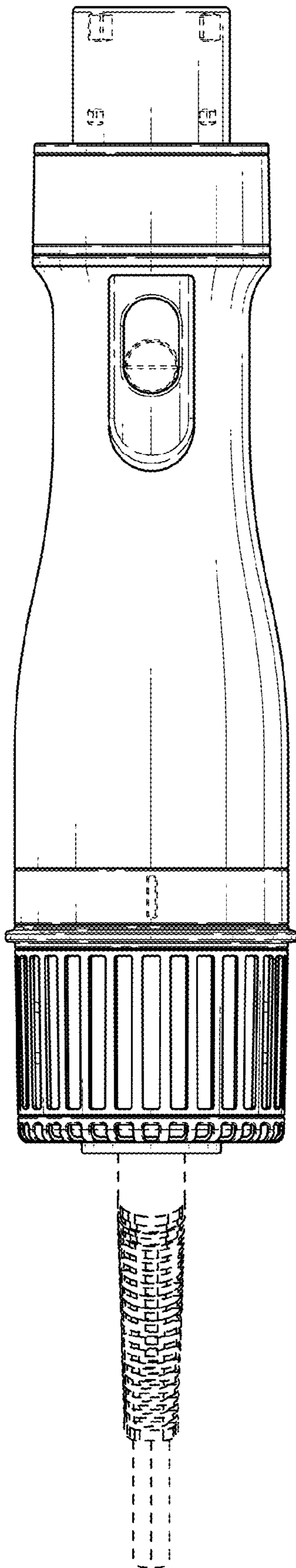


FIG. 9

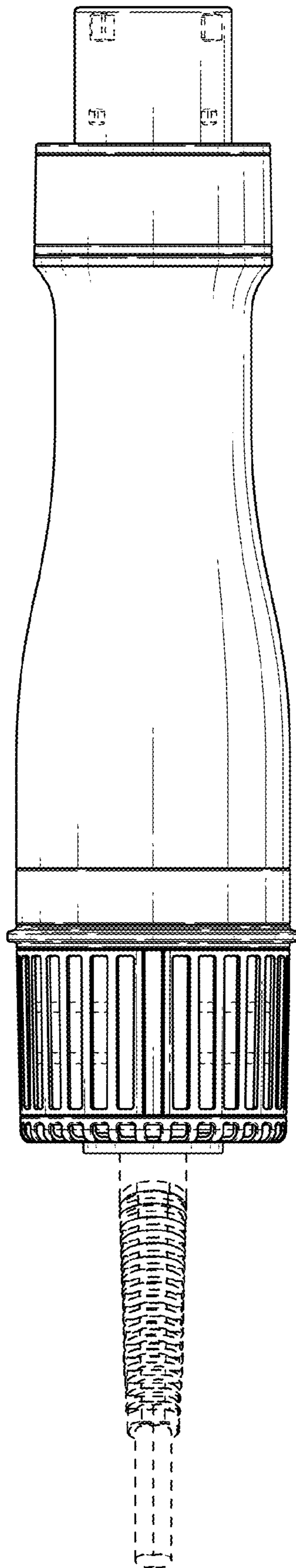


FIG. 10

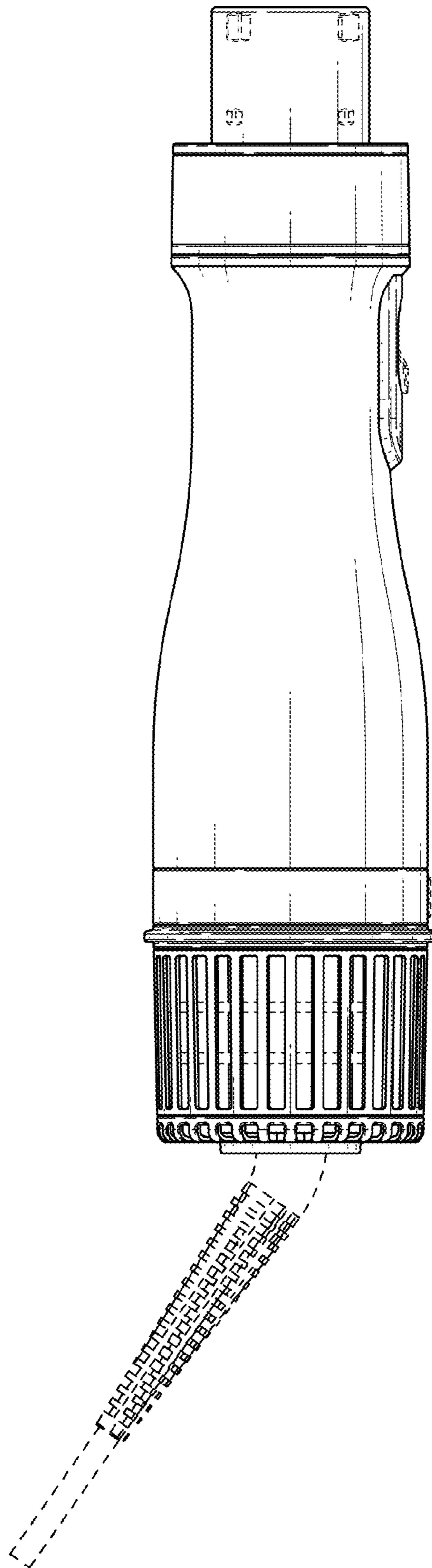


FIG. 11

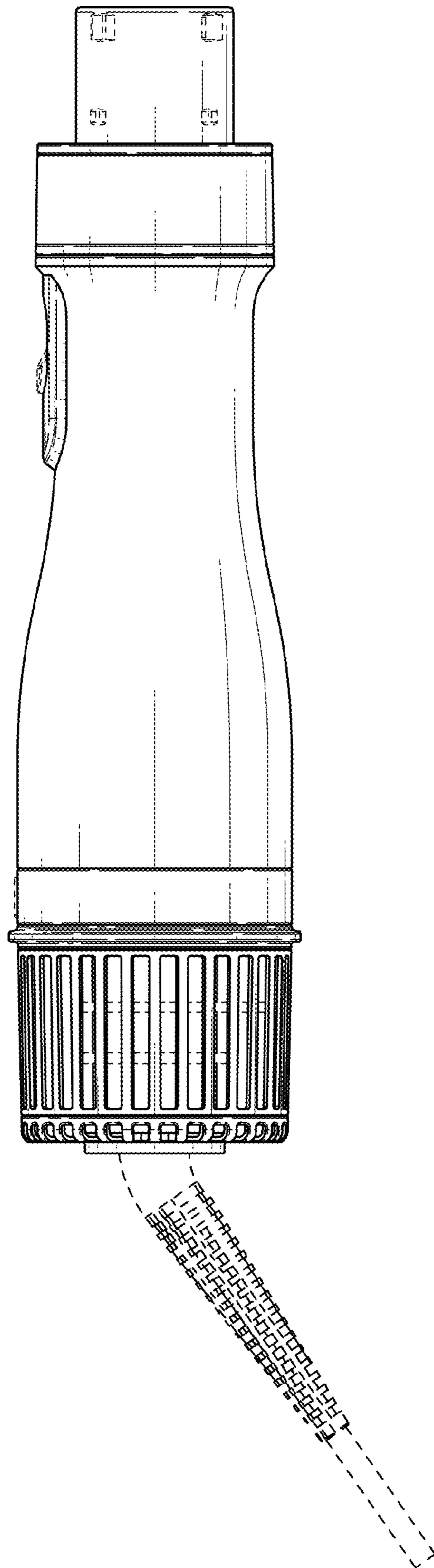


FIG. 12

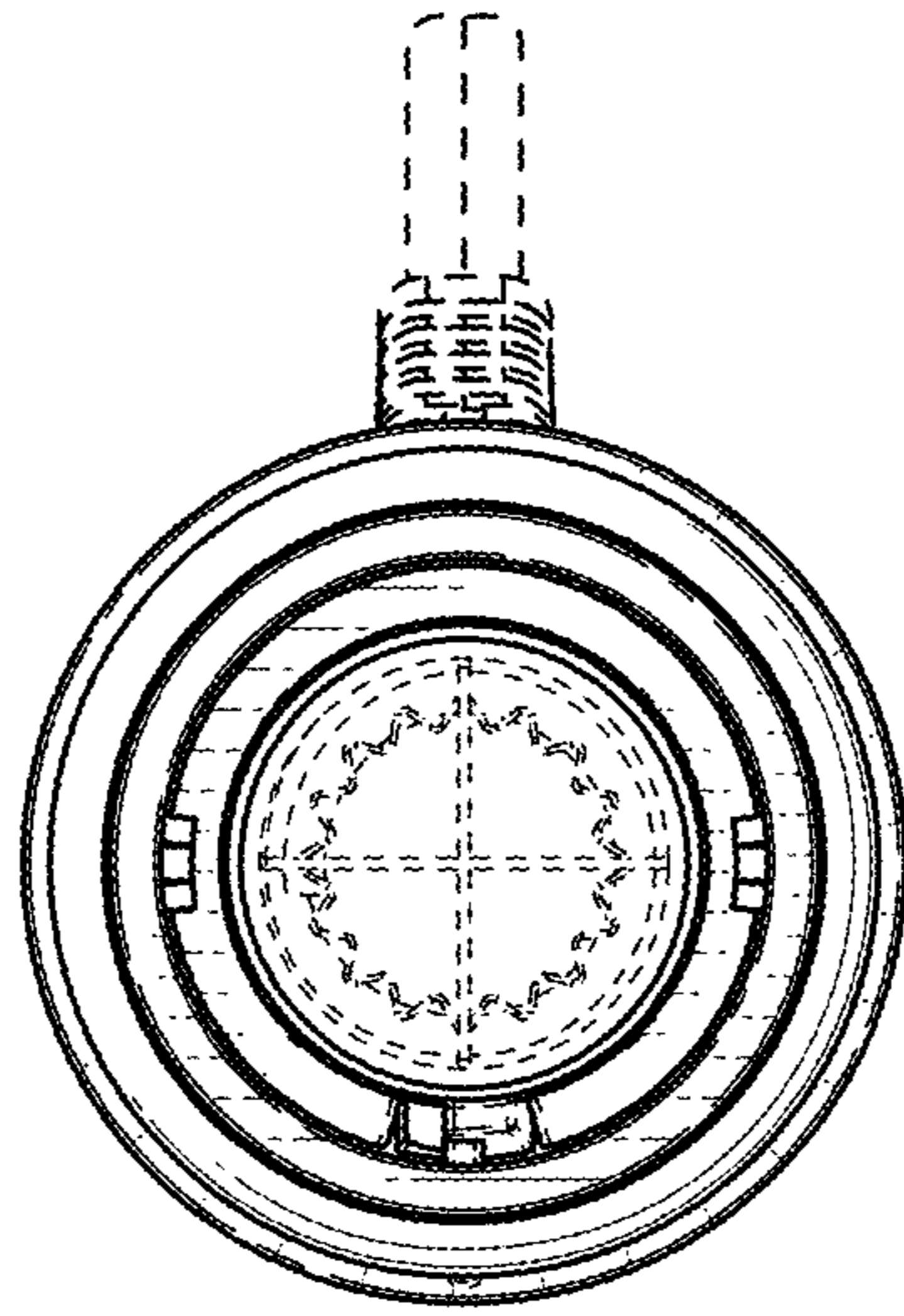


FIG. 13

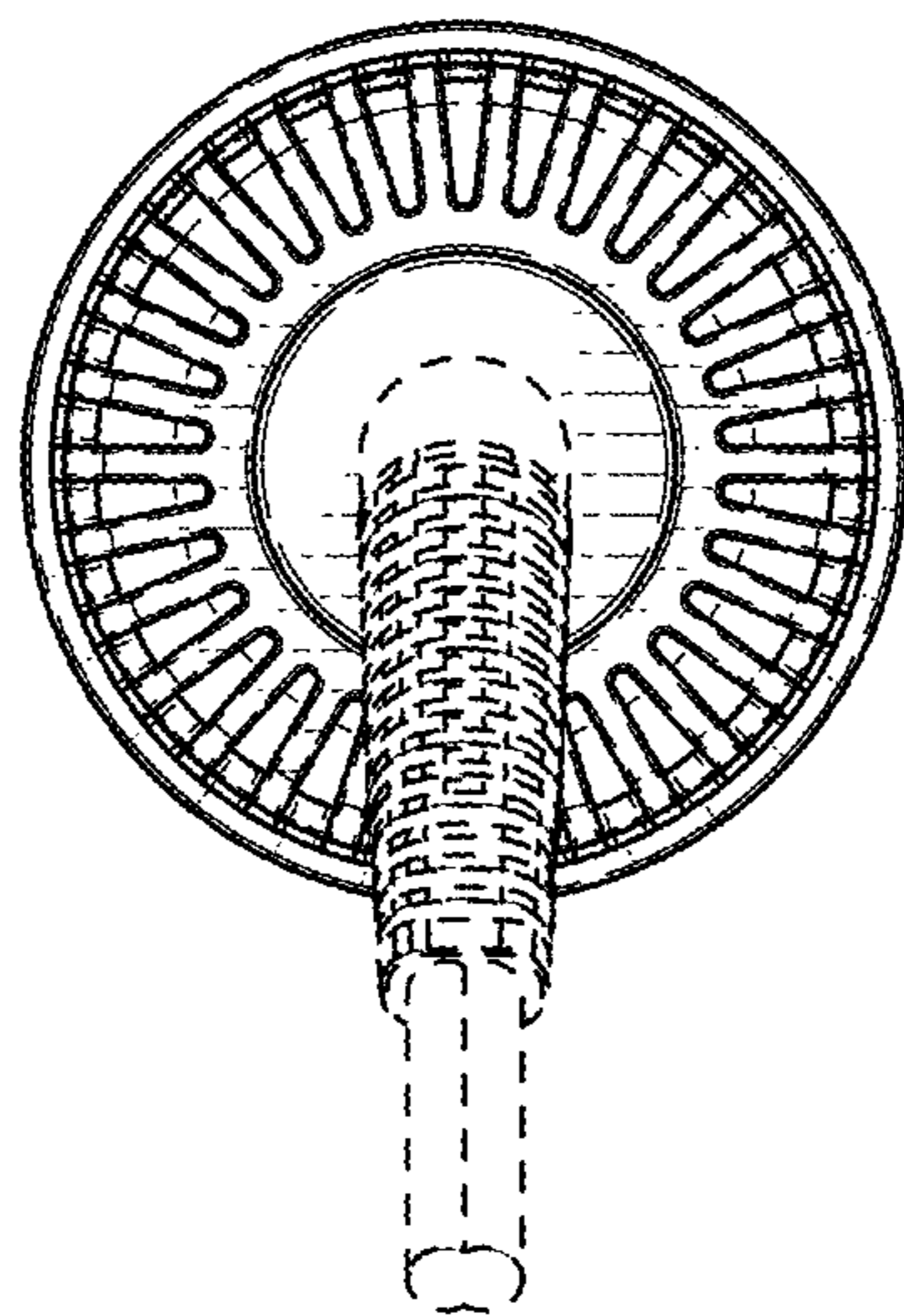


FIG. 14