



US00D967519S

(12) **United States Design Patent** (10) **Patent No.:** **US D967,519 S**
Zhang (45) **Date of Patent:** **** Oct. 18, 2022**

- (54) **CIGAR HOLDER**
- (71) Applicant: **Zhimei Zhang**, Hunan (CN)
- (72) Inventor: **Zhimei Zhang**, Hunan (CN)
- (**) Term: **15 Years**
- (21) Appl. No.: **29/820,366**
- (22) Filed: **Dec. 21, 2021**
- (51) **LOC (13) Cl.** **27-06**
- (52) **U.S. Cl.**
USPC **D27/183**
- (58) **Field of Classification Search**
USPC D27/183, 172, 173, 180, 181, 182, 186,
D27/187, 188, 192, 193, 194
CPC A24F 13/02; A24F 13/08; A24F 13/00;
A24F 13/12
See application file for complete search history.

D805,249 S	12/2017	Casalino	
D812,291 S *	3/2018	Victor	D27/183
D844,239 S *	3/2019	Nellestein	D27/183
D890,985 S	7/2020	Attar	
D894,482 S	8/2020	Schumacher	
D898,989 S *	10/2020	Kesselman	D27/138
D921,286 S *	6/2021	Kesselman	D27/183
D927,776 S *	8/2021	Kurthy	D27/183
2014/0007890 A1 *	1/2014	Wills	A24F 13/02 131/328

* cited by examiner

Primary Examiner — Rebecca Tsehaye
(74) *Attorney, Agent, or Firm* — Che-Yang Chen; Law
Office of Michael Chen

(57) **CLAIM**

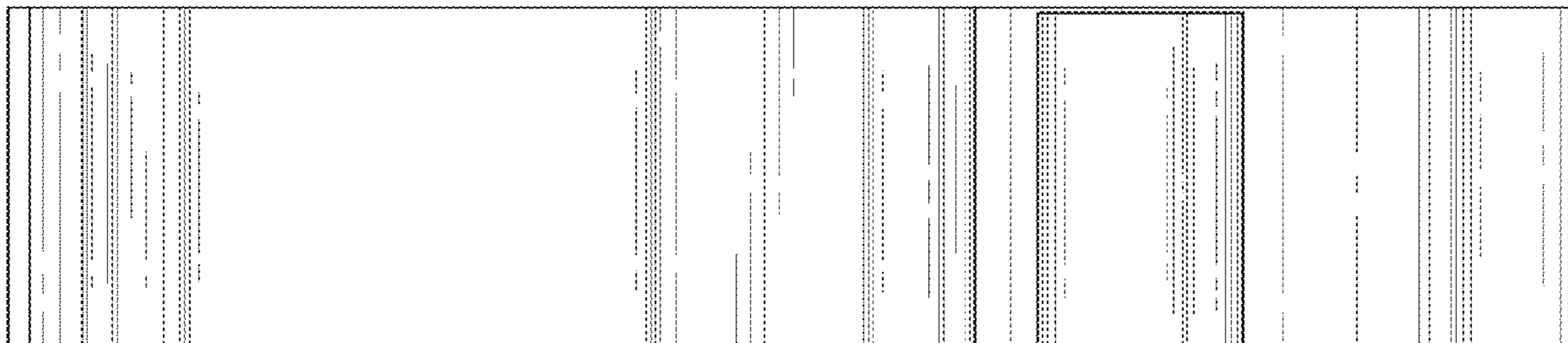
The ornamental design for a cigar holder, as shown and described.

DESCRIPTION

FIG. 1 is a perspective view of the cigar holder showing my new design;
FIG. 2 is a perspective view thereof from another angle;
FIG. 3 is a front elevational view thereof;
FIG. 4 is a rear elevational view thereof;
FIG. 5 is a left side elevational view thereof;
FIG. 6 is a right side elevational view thereof;
FIG. 7 is a top plan view thereof; and,
FIG. 8 is a bottom plan view thereof.

1 Claim, 8 Drawing Sheets

- (56) **References Cited**
U.S. PATENT DOCUMENTS
- | | | | |
|--------------|---------|-----------|---------|
| D406,386 S * | 3/1999 | Kuniansky | D27/183 |
| D586,953 S * | 2/2009 | Riggio | D27/125 |
| D626,285 S * | 10/2010 | Adame | D27/183 |
| D648,892 S * | 11/2011 | Cordova | D27/183 |
| D753,875 S * | 4/2016 | Corcoran | D27/183 |
| D790,128 S * | 6/2017 | Khoury | D27/183 |
| D799,750 S * | 10/2017 | Parcevaux | D27/194 |



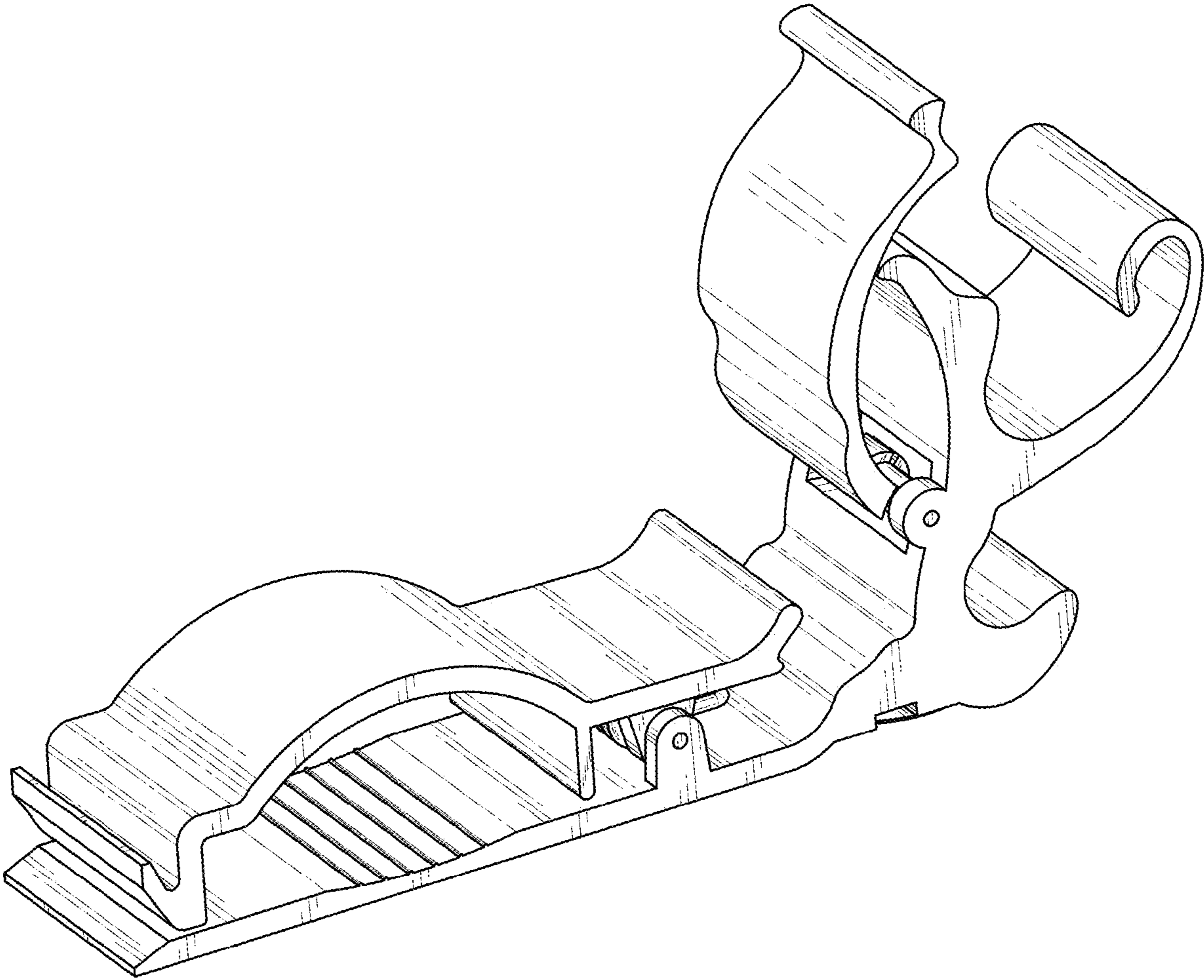


FIG. 1

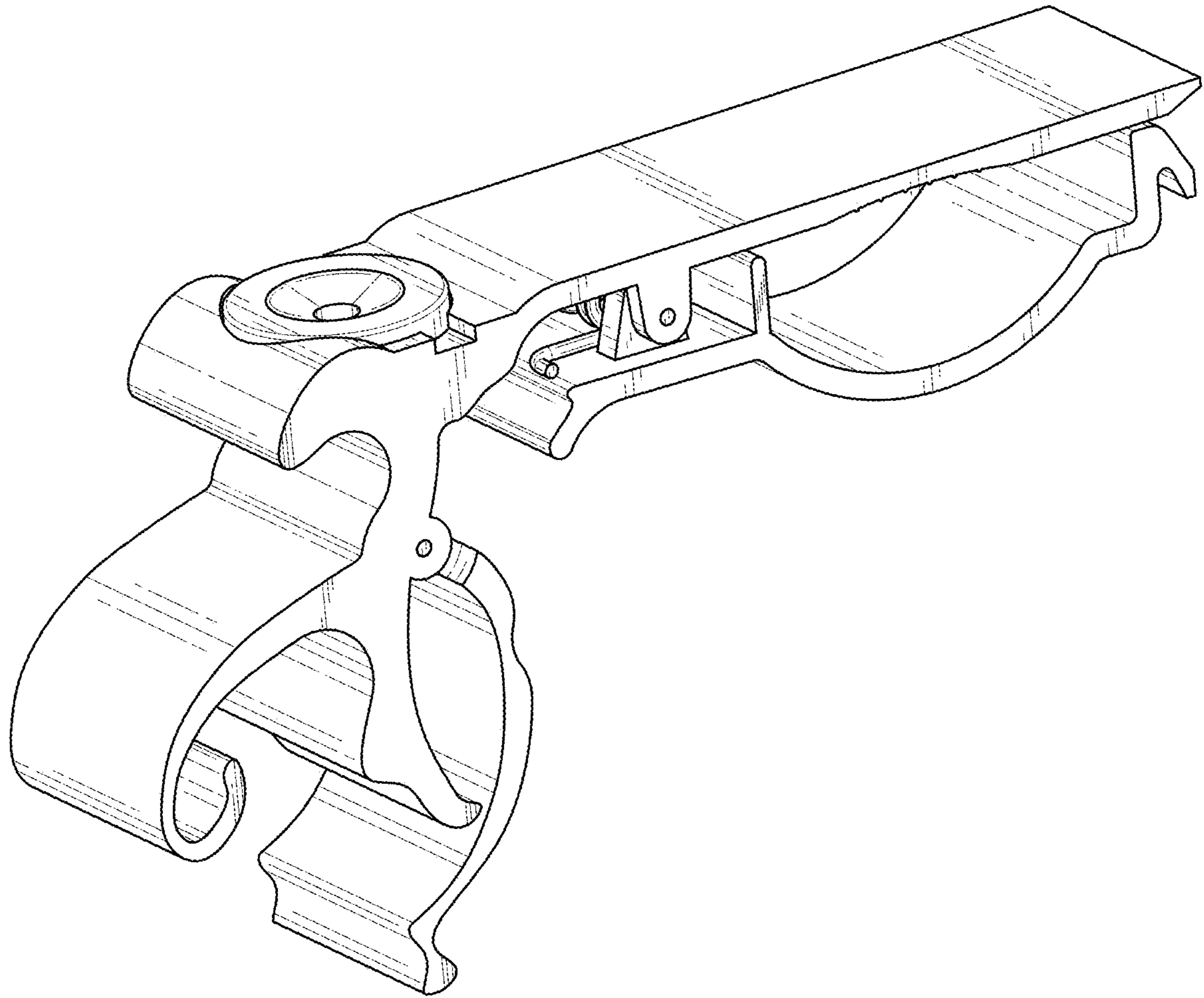


FIG. 2

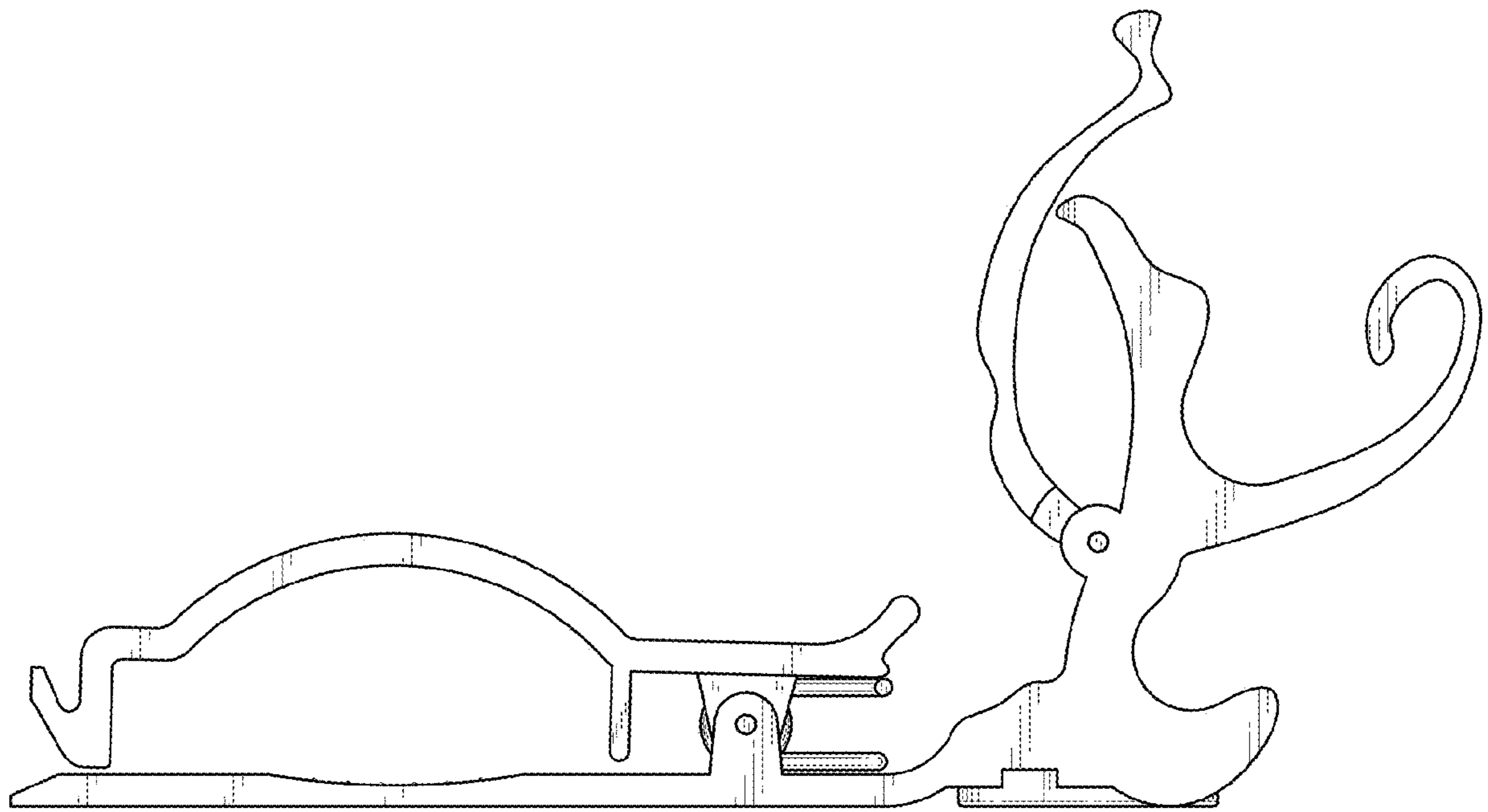


FIG. 3

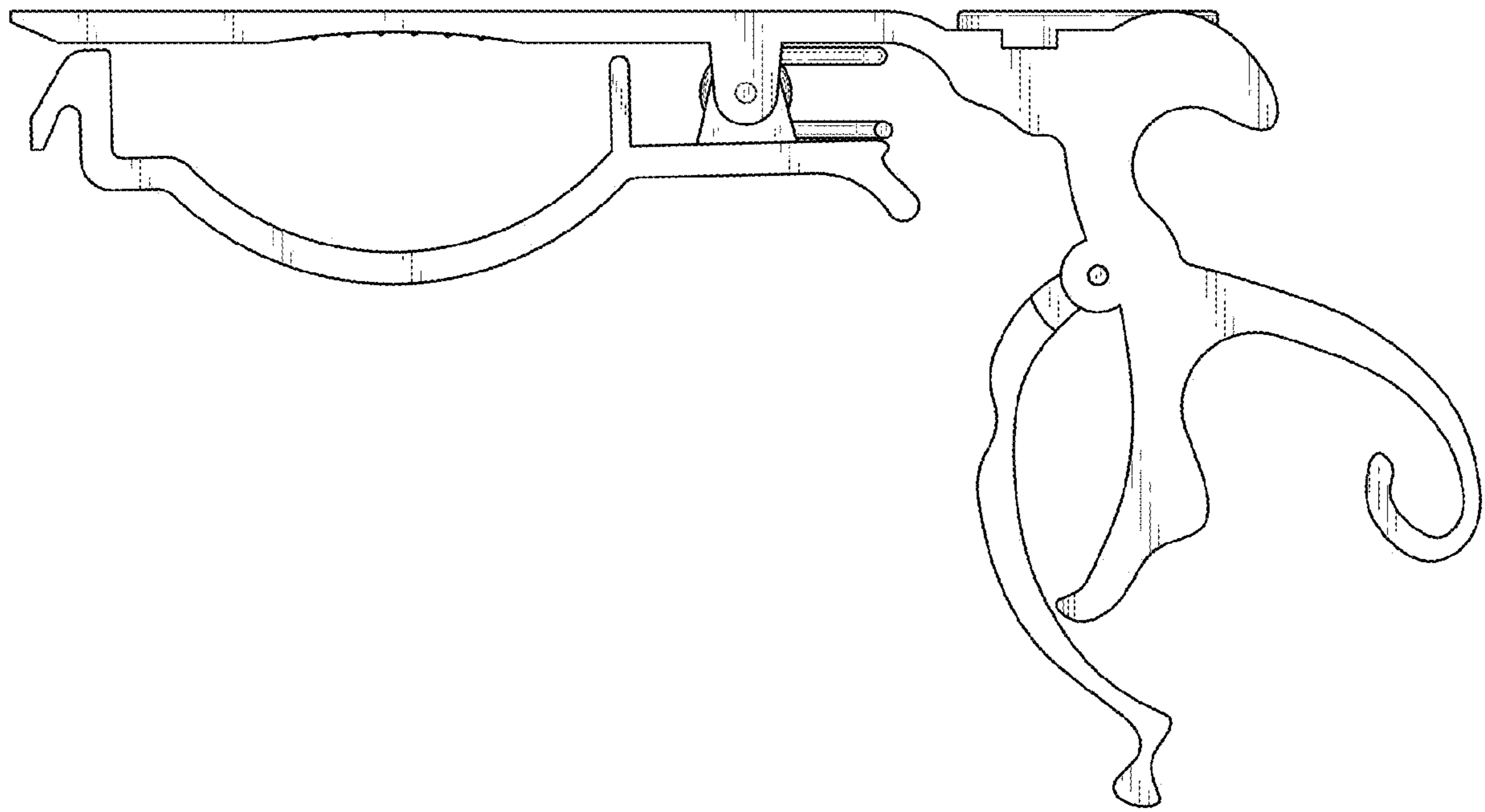


FIG. 4

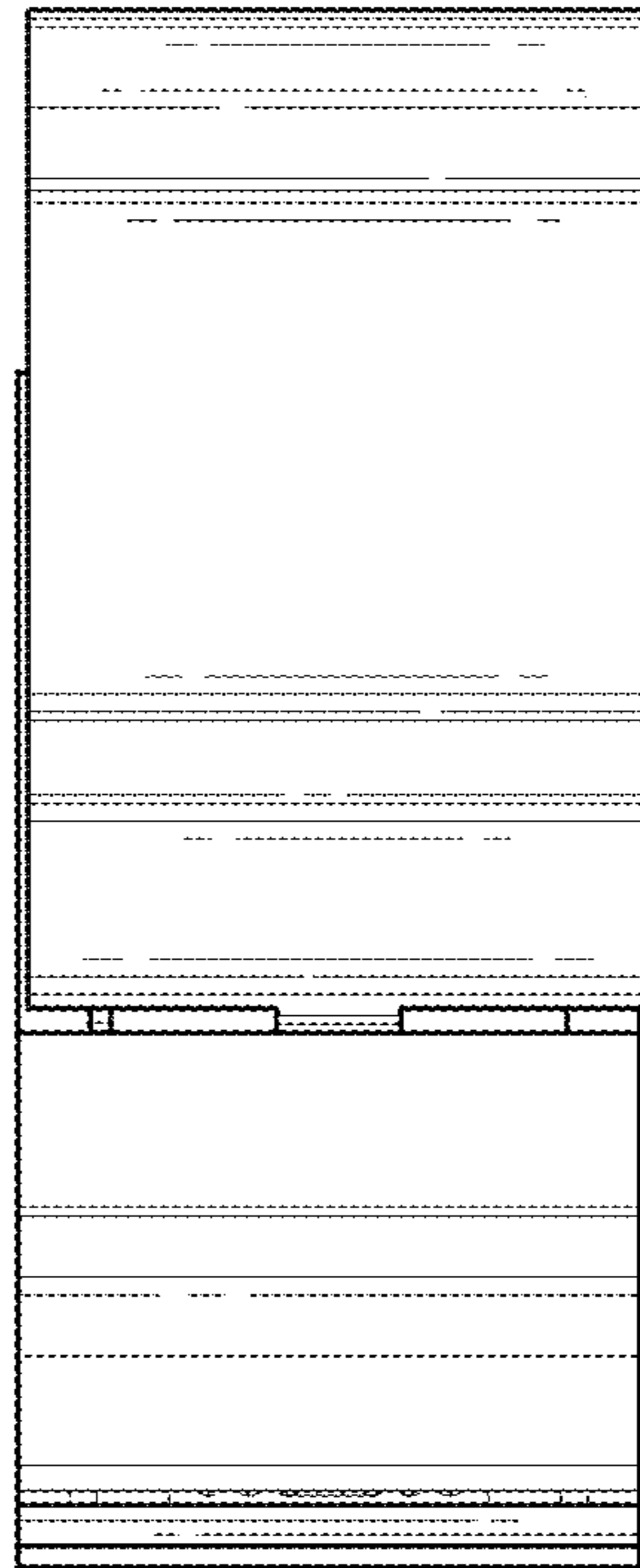


FIG. 5

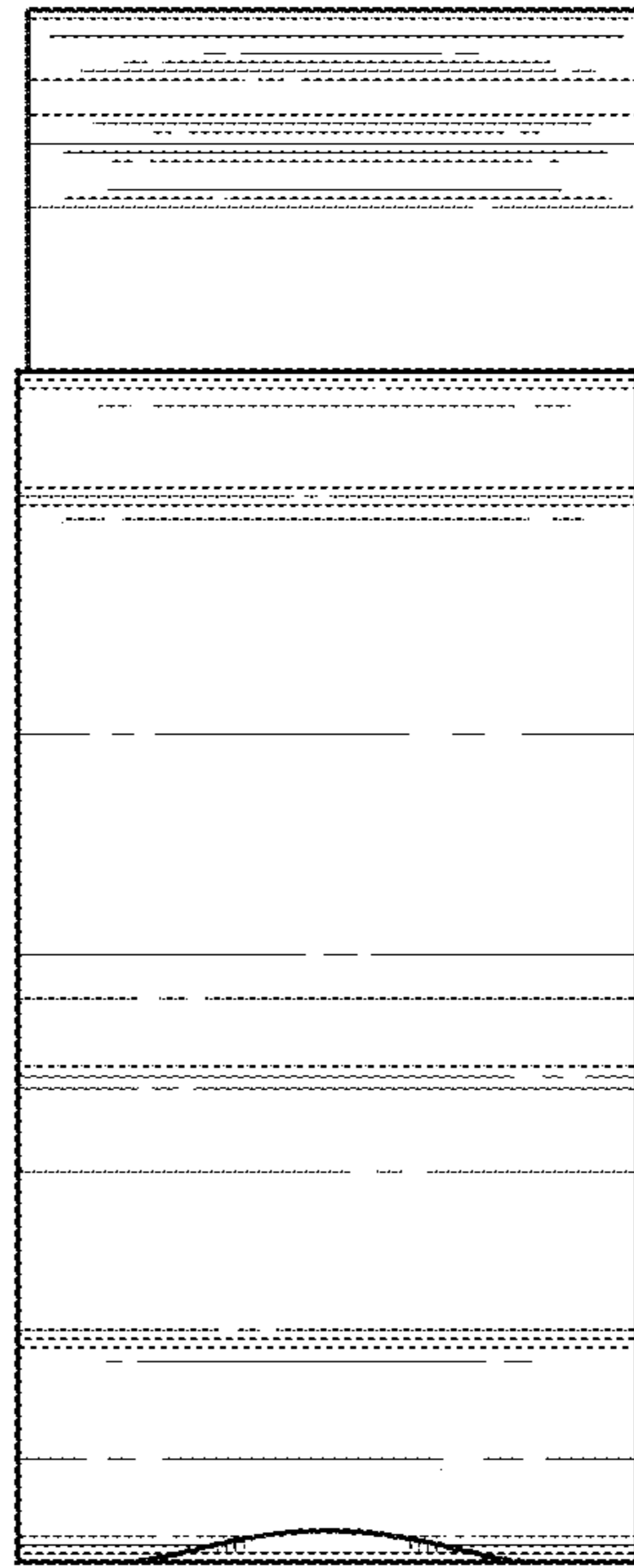


FIG. 6

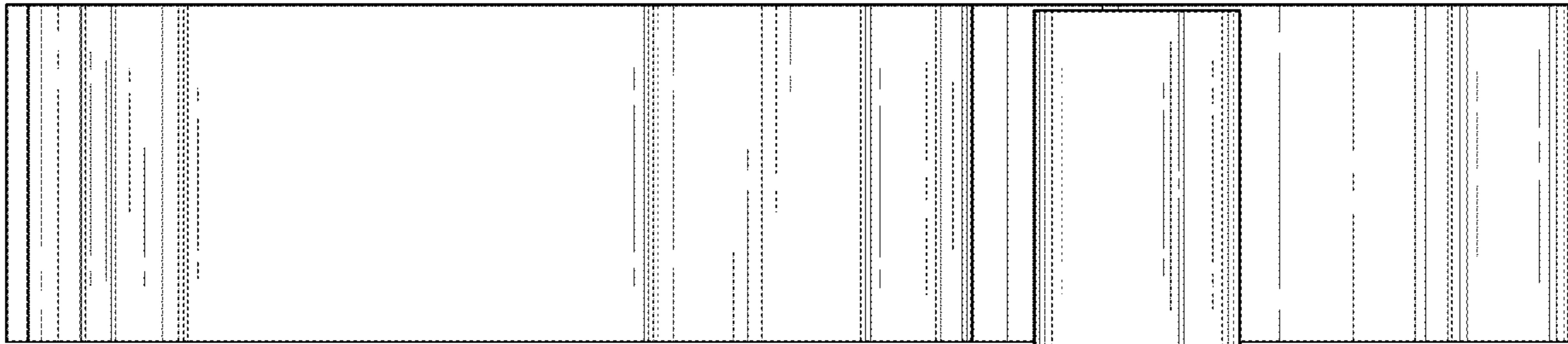


FIG. 7

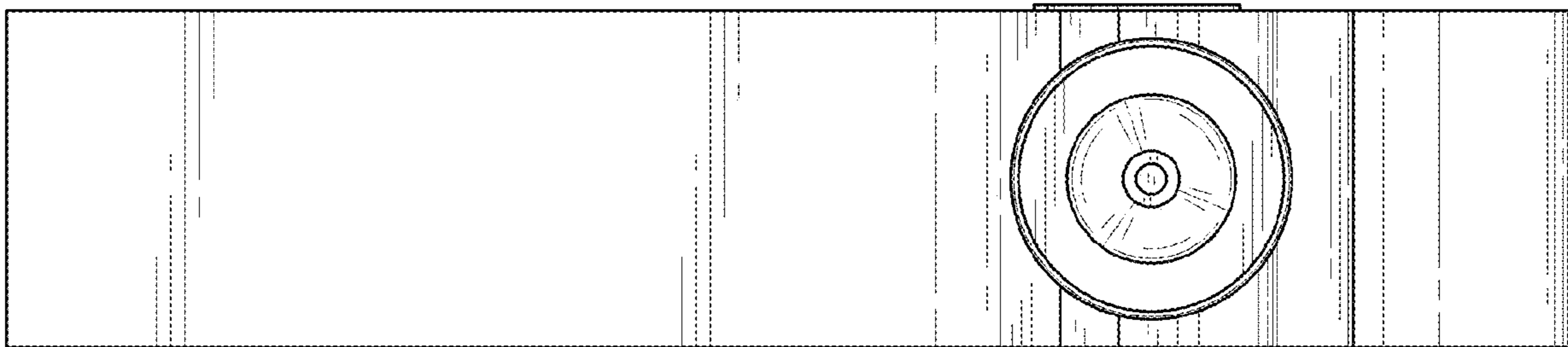


FIG. 8