

US00D967518S

(12) **United States Design Patent** (10) **Patent No.:** **US D967,518 S**  
**Damti** (45) **Date of Patent:** **\*\* Oct. 18, 2022**

(54) **STORAGE BOX WITH TRAY FOR SMOKING ACCESSORIES AND HERBAL MIXTURES**

(71) Applicant: **Roi Damti**, Hod Hasharon (IL)

(72) Inventor: **Roi Damti**, Hod Hasharon (IL)

(\*\*) Term: **15 Years**

(21) Appl. No.: **29/766,209**

(22) Filed: **Jan. 14, 2021**

(51) **LOC (13) Cl.** ..... **27-06**

(52) **U.S. Cl.**  
USPC ..... **D27/172**

(58) **Field of Classification Search**

USPC ..... D27/183, 186-192, 172-175  
CPC ..... A24F 15/00; A24F 15/01; A24F 15/02;  
A24F 15/08; A24F 15/10; A24F 15/18;  
A24F 15/20; A24F 13/02; A24F 13/08;  
A24F 13/00; A24F 13/14

See application file for complete search history.

(56) **References Cited**

**U.S. PATENT DOCUMENTS**

1,655,959	A *	1/1928	Kessler	.....	A24F 15/00 217/58
D349,812	S *	8/1994	Rockery	.....	D3/273
D398,715	S *	9/1998	Descalzo	.....	D27/189
D399,598	S *	10/1998	Perkins	.....	D27/189
D467,731	S *	12/2002	Pratt	.....	D3/273
D731,325	S *	6/2015	Loessin	.....	D9/737
D738,649	S *	9/2015	Tapper	.....	D7/672
D815,343	S *	4/2018	Kesselman	.....	D27/187
D816,993	S *	5/2018	Zhu	.....	D3/903
D867,128	S *	11/2019	Keary	.....	D9/737
D887,282	S *	6/2020	O'Neill	.....	D9/737
D910,912	S *	2/2021	Slate	.....	D27/189
11,242,193	B2 *	2/2022	Calvo Guerrero	.....	B65D 85/12
2021/0394999	A1 *	12/2021	Calvo Guerrero	...	B65D 51/245

**OTHER PUBLICATIONS**

Cigar Humidor By Neptune found on line (Feb. 10, 2022) <https://www.neptunecigar.com/humidors/craftsmans-bench-manhattan-25-cigar-humidor-gift-set> (Jan. 3, 2020).\*

\* cited by examiner

*Primary Examiner* — Rebecca Tsehaye

(74) *Attorney, Agent, or Firm* — Michael D. Eisenberg

(57) **CLAIM**

The ornamental design for a storage box with tray for smoking accessories and herbal mixtures, as shown and described.

**DESCRIPTION**

FIG. 1 is a front, closed perspective view of a box, showing my new design with a slideable tray in its closed position. FIG. 2 is a front, open perspective view with the slidably tray in its open position.

FIG. 3 is a front open perspective view with the slideable tray in its closed position.

FIG. 4 is a top open view with the tray in its closed position. FIG. 5 is a bottom view with the top open and the slide closed;

FIG. 6 is a left side view in an open position with the slide closed;

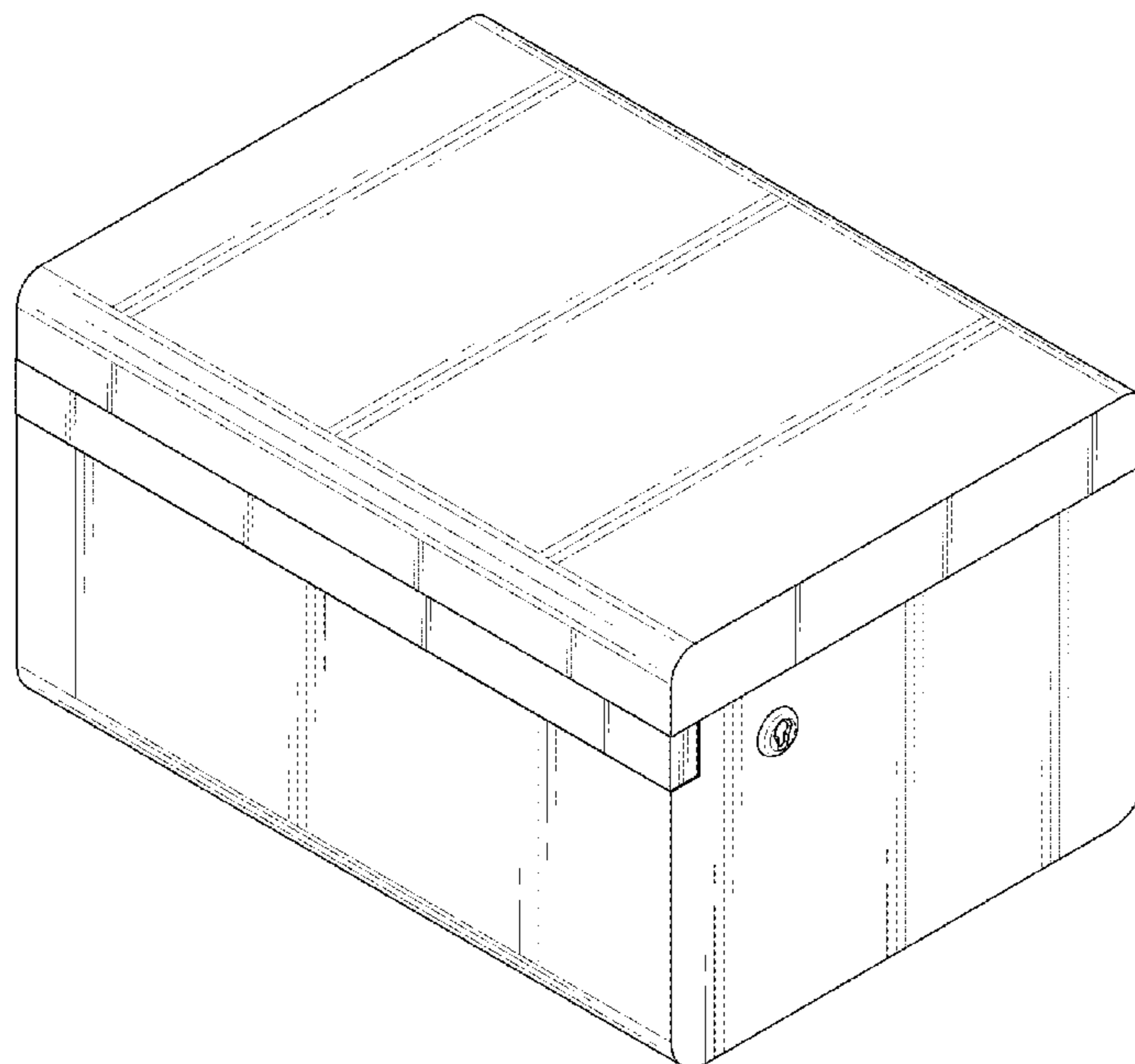
FIG. 7 is right side view in an open position with the slide closed;

FIG. 8 is side view in an open position; and,

FIG. 9 is front view in an open position.

The broken lines in the drawings depict portions of the storage box with tray for smoking accessories and herbal mixtures that form no part of the claimed design.

**1 Claim, 9 Drawing Sheets**



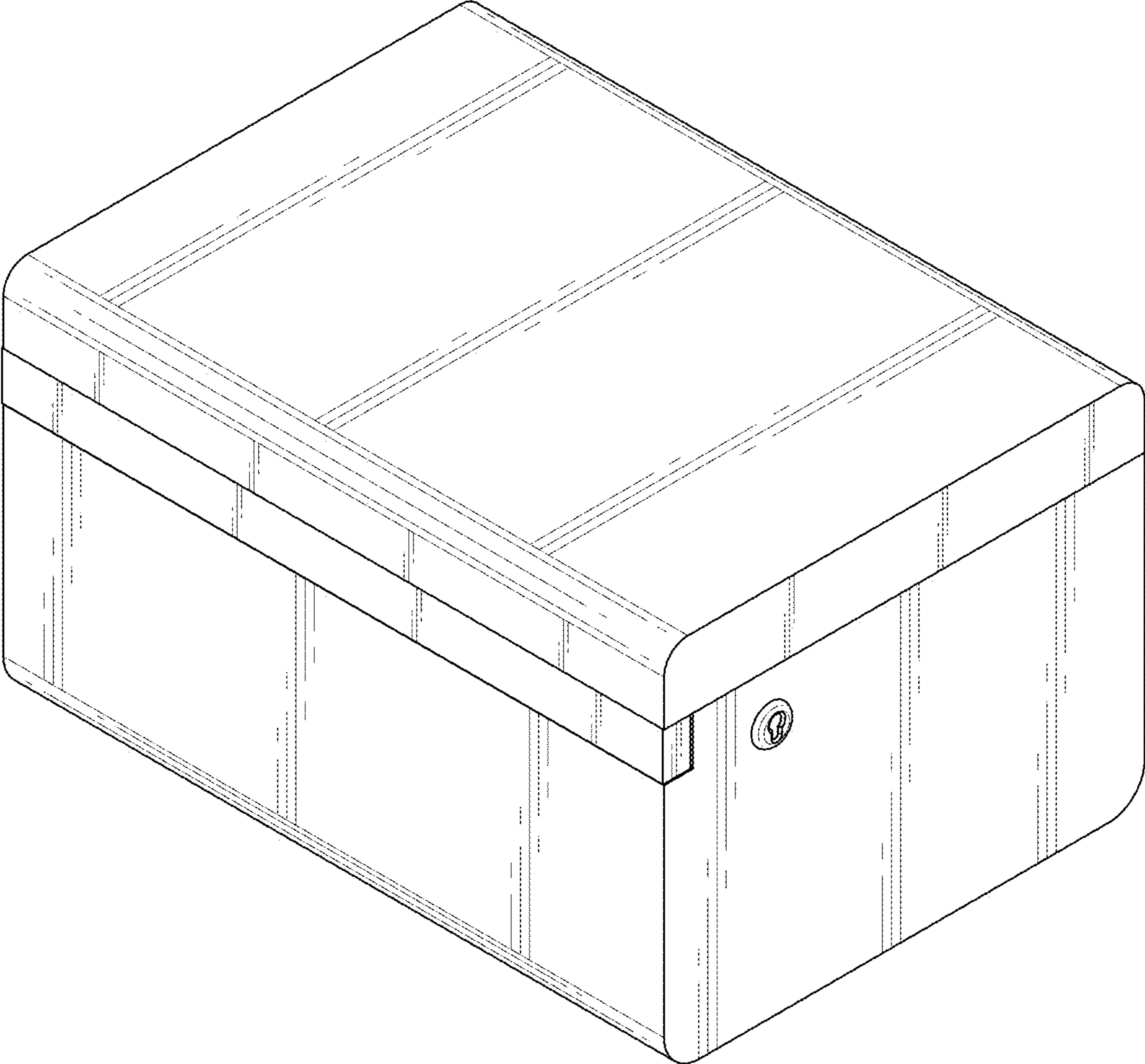


FIG. 1

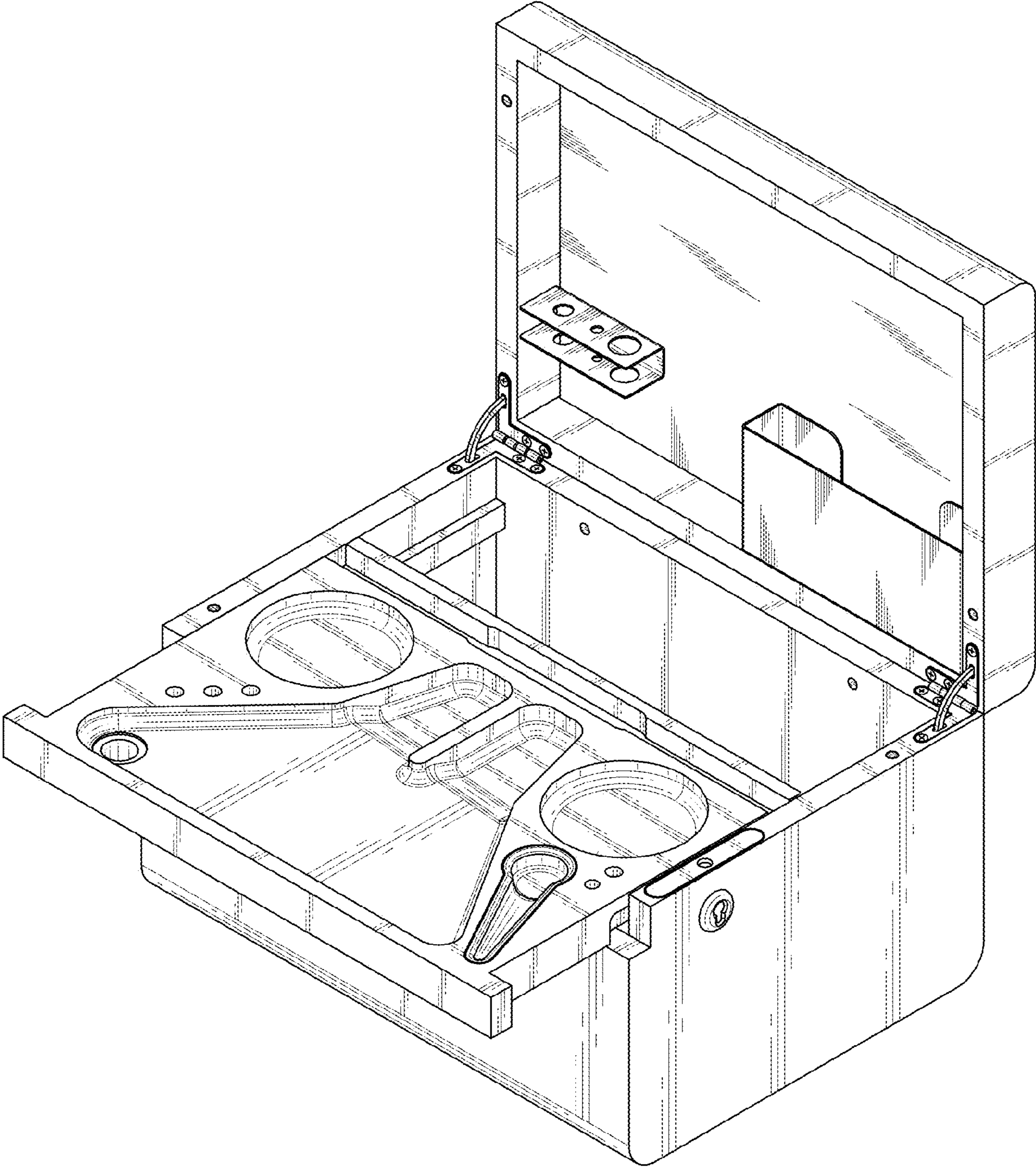


FIG. 2

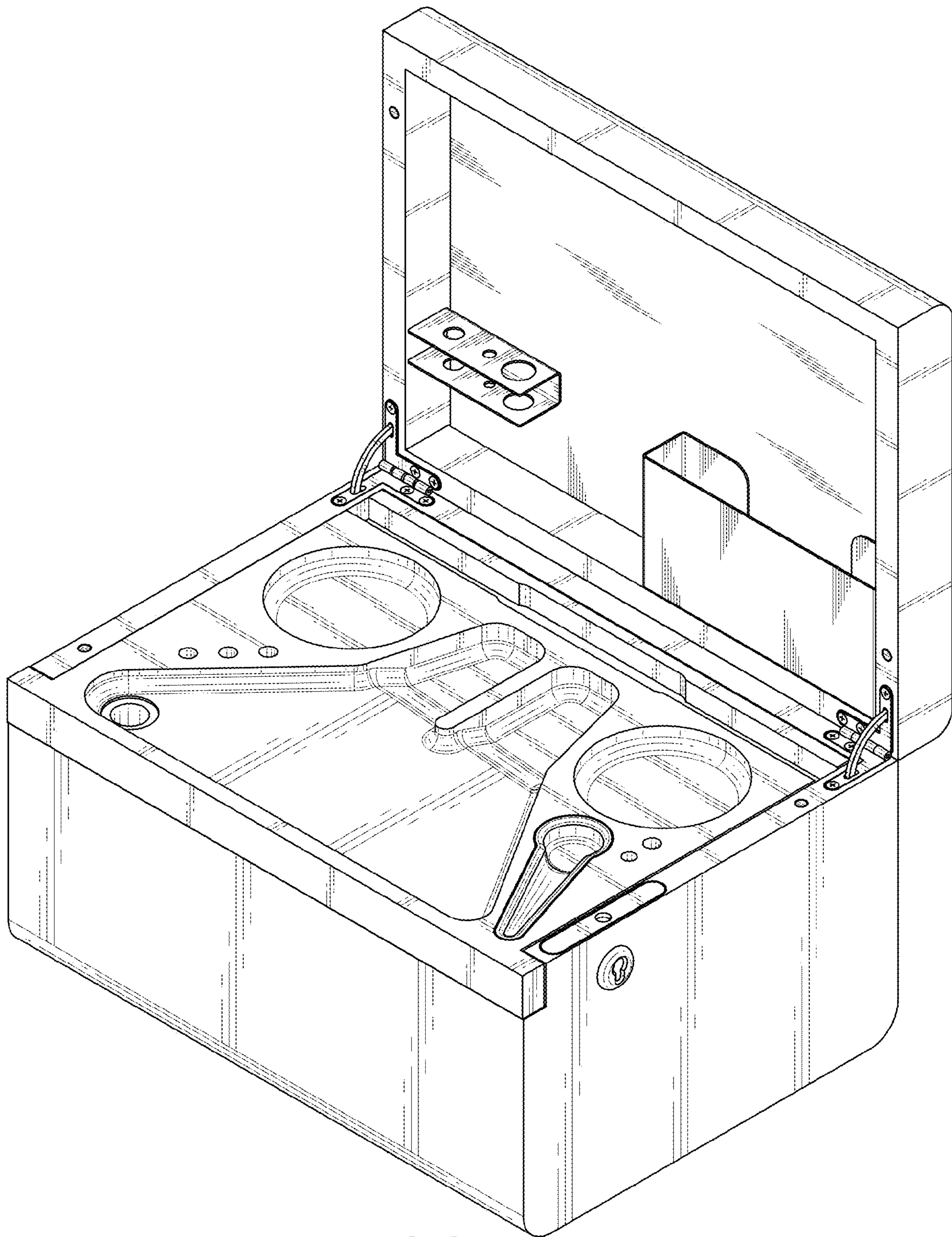


FIG. 3

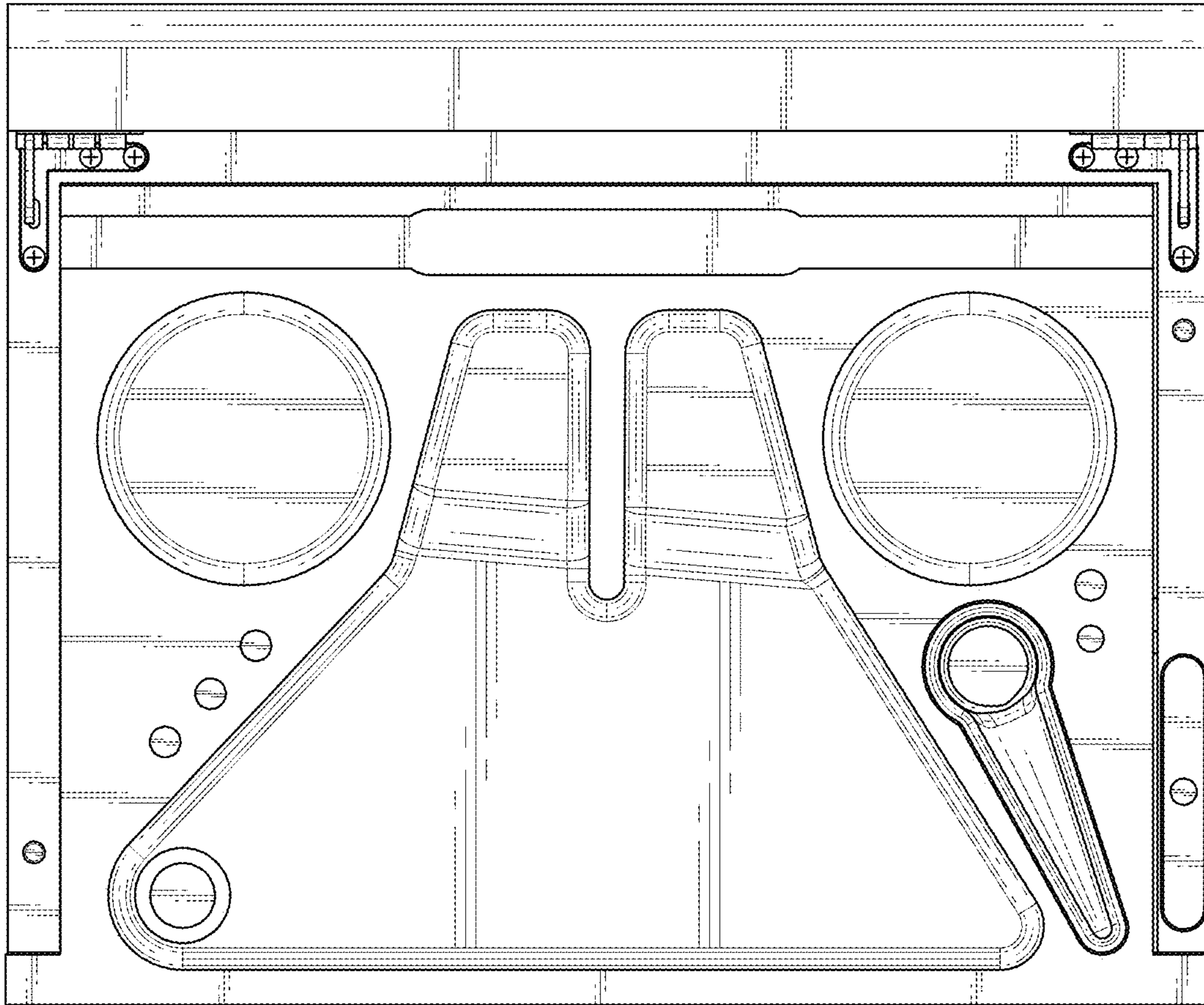


FIG. 4

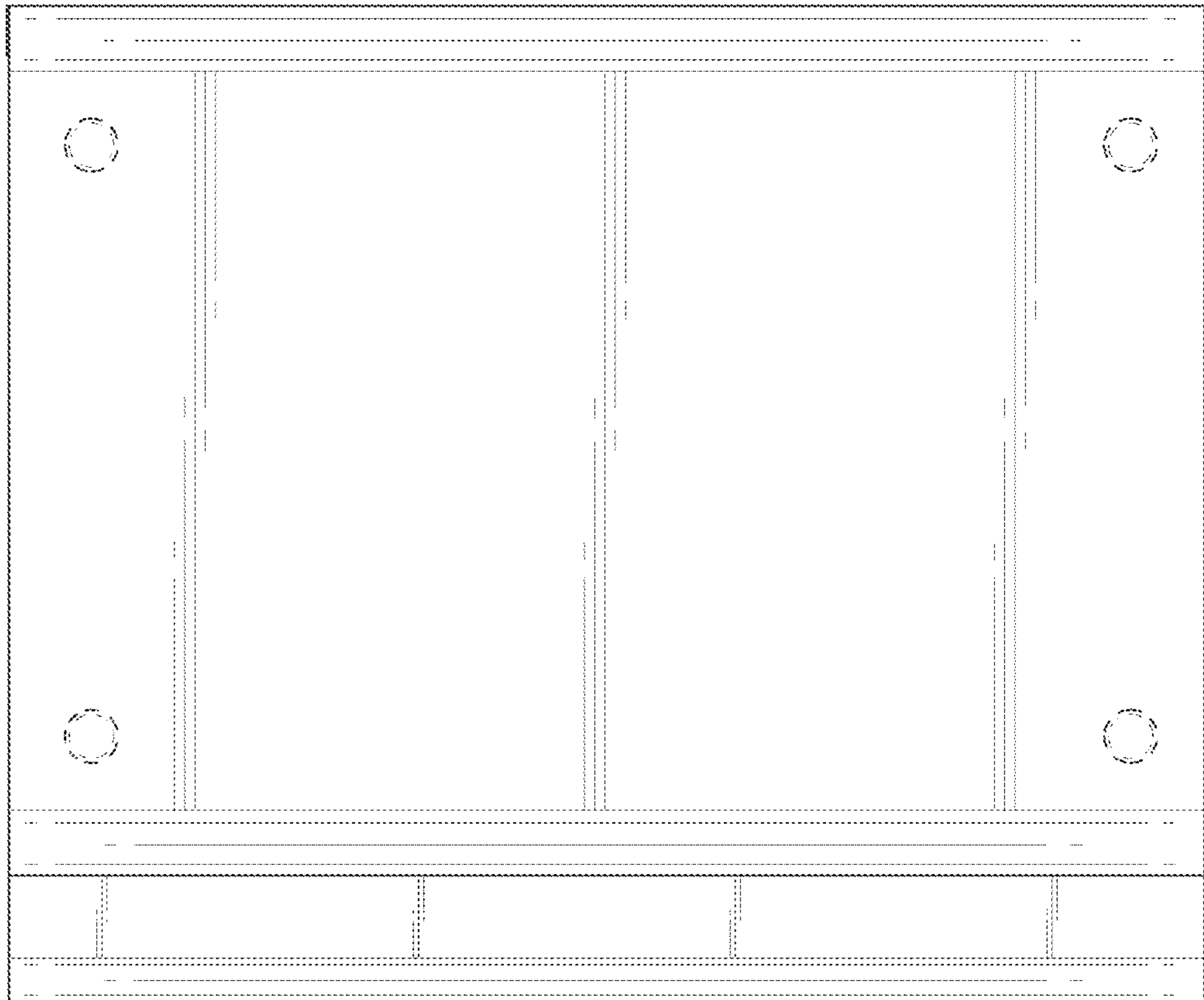


FIG. 5

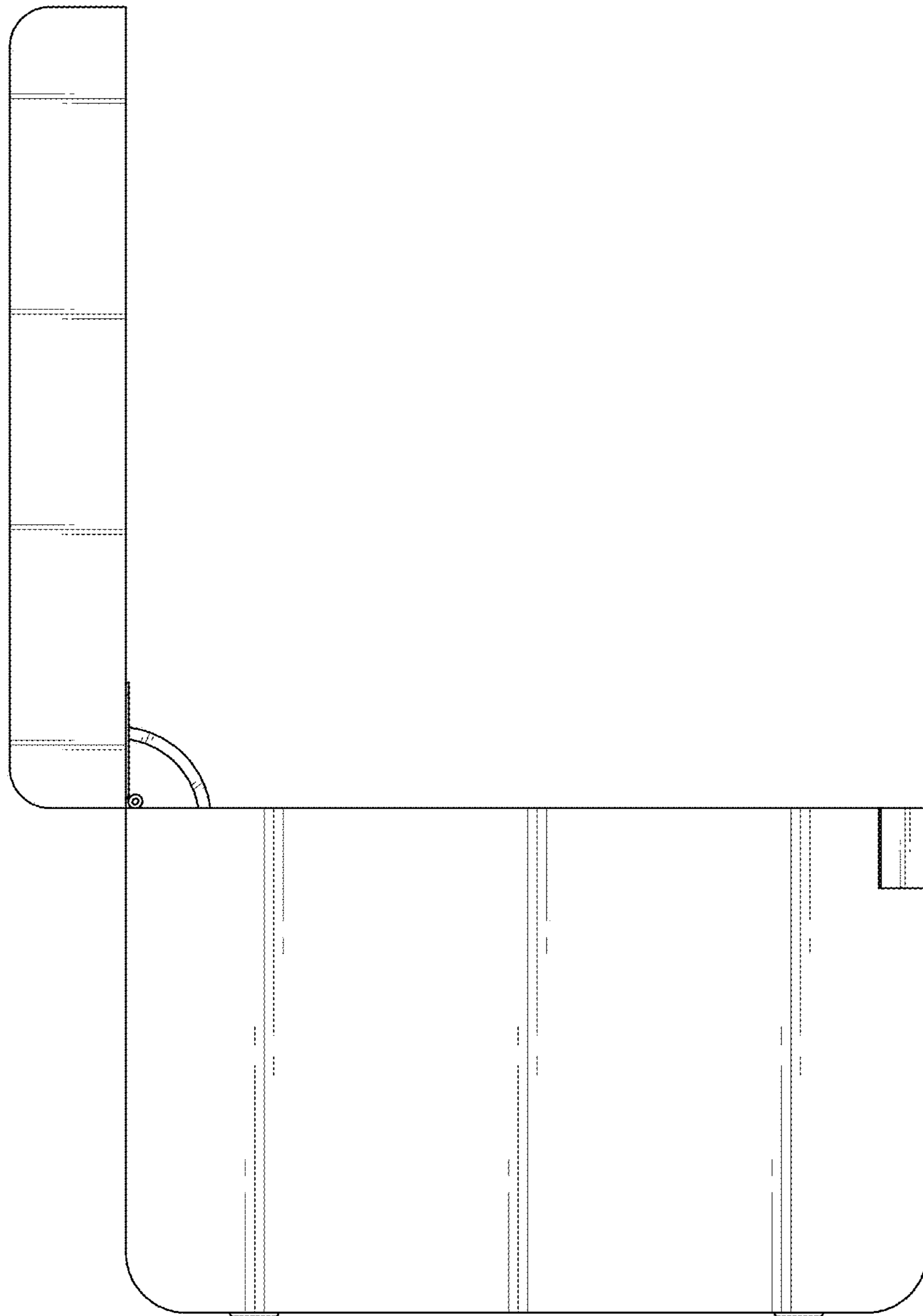


FIG. 6

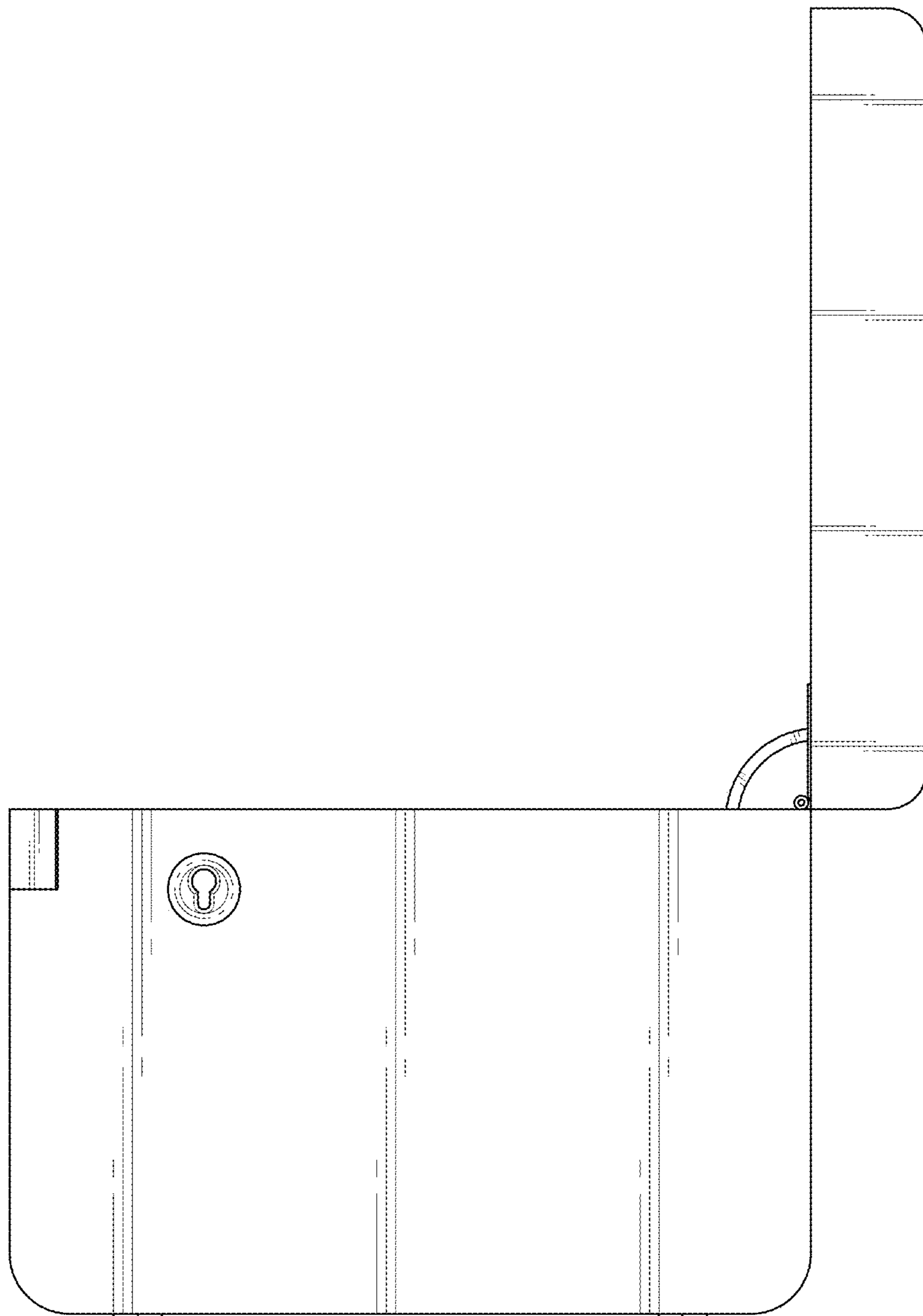


FIG. 7



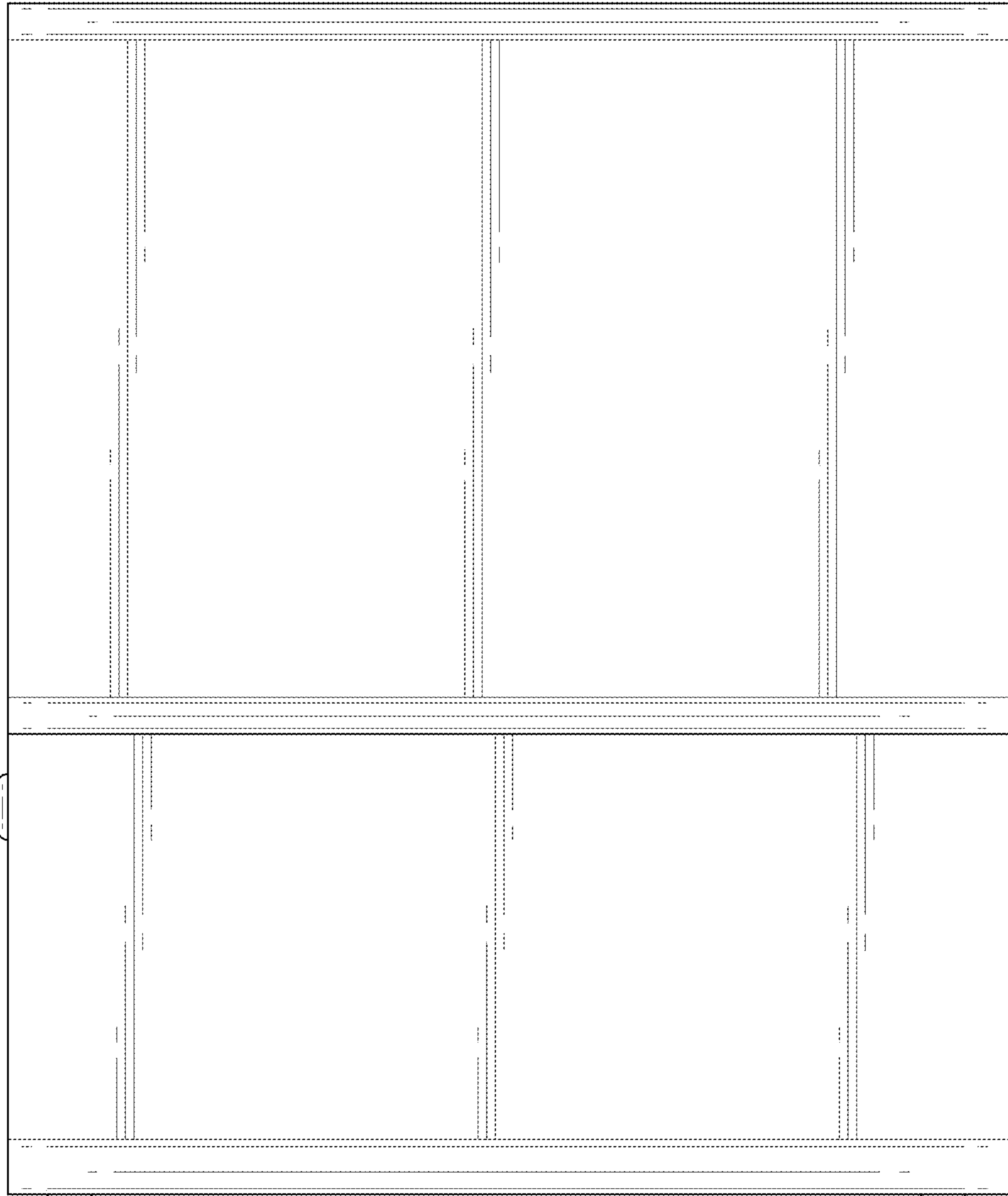


FIG. 8

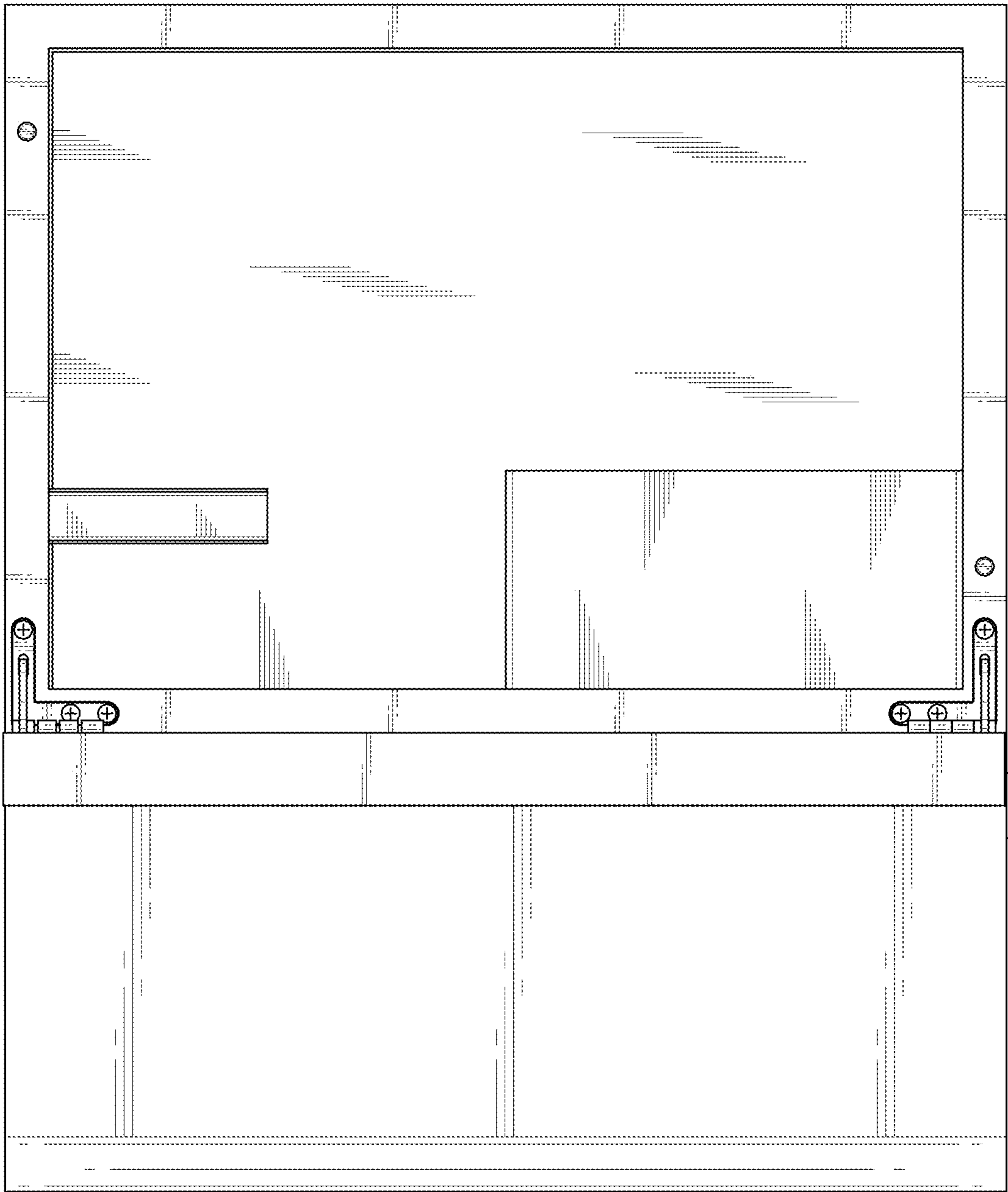


FIG. 9