



US00D967517S

(12) **United States Design Patent** (10) **Patent No.:** **US D967,517 S**
Li (45) **Date of Patent:** **** Oct. 18, 2022**

(54) **POWER SUPPLY DEVICE FOR ELECTRONIC ATOMIZING DEVICE**
(71) Applicant: **Shenzhen Smoore Technology Limited**, Shenzhen (CN)
(72) Inventor: **Kui Li**, Shenzhen (CN)
(73) Assignee: **SHENZHEN SMOORE TECHNOLOGY LIMITED**, Shenzhen (CN)

D844,235 S 3/2019 CiVidi
D849,996 S 5/2019 Duque et al.
D859,735 S ‡ 9/2019 Qiu D27/162
D865,276 S * 10/2019 Pino D27/162
D870,368 S 12/2019 Leon Duque et al.
D877,971 S ‡ 3/2020 Bowen D27/101
D885,654 S ‡ 5/2020 Ding D27/162
D887,632 S ‡ 6/2020 Duque D27/167
D893,096 S ‡ 8/2020 Leon Duque D27/194
D898,278 S * 10/2020 Carlberg D27/162

(Continued)

(**) Term: **15 Years**
(21) Appl. No.: **29/798,215**
(22) Filed: **Jul. 7, 2021**

Related U.S. Application Data

(63) Continuation-in-part of application No. 29/731,801, filed on Apr. 17, 2020, now Pat. No. Des. 943,172.

(30) **Foreign Application Priority Data**

Nov. 15, 2019 (CN) 201930630861.1

(51) **LOC (13) Cl.** **27-02**

(52) **U.S. Cl.**
USPC **D27/162**

(58) **Field of Classification Search**
USPC D27/162, 100, 101, 163–165, 167, 169, D27/172, 176, 183, 185–194; D24/110, D24/110.5; D23/360, 363, 366; D13/103, 107
CPC A24F 47/00; A24F 47/02; A24F 47/04; A24F 47/08; A61M 15/06

See application file for complete search history.

(56) **References Cited**

U.S. PATENT DOCUMENTS

D792,643 S ‡ 7/2017 Wong D27/101
D799,110 S * 10/2017 Qiu D27/101

OTHER PUBLICATIONS

Electronic Cigarette By: Juul found on line Mar. 19, 2021 <https://observatoireprevention.org/en/2018/10/01/juul-the-new-electronic-cigarette-popular-among-young-people/> (Nov. 13, 2018).‡

(Continued)

Primary Examiner — Rebecca Tsehaye

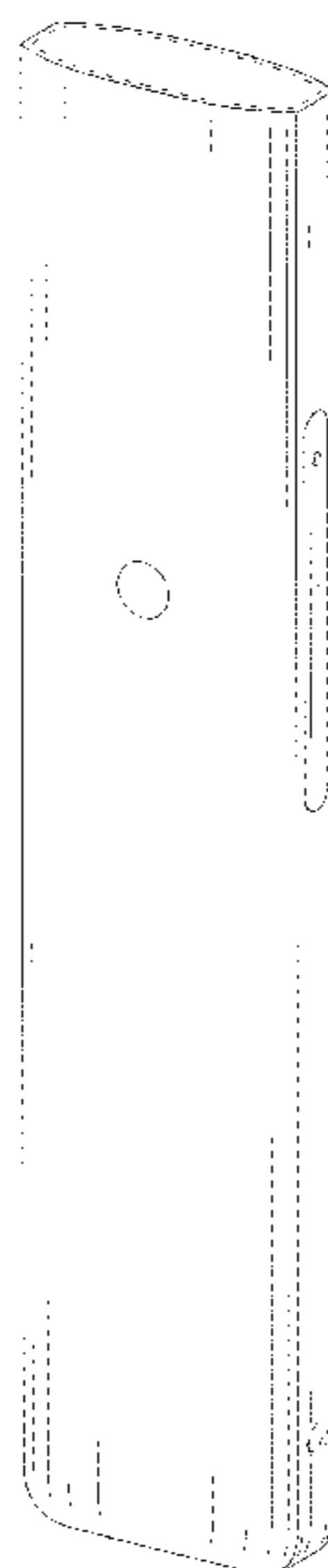
(57) **CLAIM**

The ornamental design for a power supply device for an electronic atomizing device, as shown and described.

DESCRIPTION

FIG. 1 is a perspective view of a power supply device for an electronic atomizing device;
FIG. 2 is another perspective view thereof;
FIG. 3 is a front elevational view thereof;
FIG. 4 is a rear elevational view thereof;
FIG. 5 is a left side elevational view thereof;
FIG. 6 is a right side elevational view thereof;
FIG. 7 is an enlarged top plan view thereof; and,
FIG. 8 is an enlarged bottom plan view thereof.
The broken lines in the drawings depict portions of the power supply device for an electronic atomizing device that form no part of the claimed design.

1 Claim, 8 Drawing Sheets



(56)

References Cited

U.S. PATENT DOCUMENTS

D898,991 S ‡ 10/2020 Pan D27/162
 D902,474 S * 11/2020 Chen D27/101
 D902,480 S ‡ 11/2020 Chen D27/194
 D903,937 S ‡ 12/2020 Chimbuya D27/162
 D903,938 S * 12/2020 Chimbuya D27/162
 D904,682 S ‡ 12/2020 Kim D27/162
 D904,683 S ‡ 12/2020 Kim D27/162
 D908,952 S ‡ 1/2021 Guo D27/101
 D910,908 S ‡ 2/2021 Kim D27/162
 D913,583 S ‡ 3/2021 Leon Duque D27/194
 D914,276 S ‡ 3/2021 Lai
 D914,279 S * 3/2021 Jones D27/162
 D919,881 S * 5/2021 Carlberg D27/162
 D923,864 S ‡ 6/2021 Carlberg et al.
 D925,112 S * 7/2021 Kim D27/162
 D927,052 S ‡ 8/2021 Qiu et al.
 D927,061 S ‡ 8/2021 Leon Duque et al.
 D928,394 S ‡ 8/2021 Jones et al.
 D929,034 S ‡ 8/2021 Li
 D930,234 S * 9/2021 Wang D27/162
 D930,236 S ‡ 9/2021 Fornarelli

D930,895 S * 9/2021 Fornarelli D27/162
 D933,286 S ‡ 10/2021 Weiss et al.
 D937,474 S * 11/2021 Qiu D27/162
 D937,477 S ‡ 11/2021 Li
 D938,644 S * 12/2021 Shin D27/162
 D940,951 S ‡ 1/2022 Ding
 D942,676 S * 2/2022 Kim D27/162
 D943,160 S * 2/2022 Cheung D27/162
 D943,161 S * 2/2022 Cheung D27/162
 D943,162 S ‡ 2/2022 Chen et al.
 D943,172 S * 2/2022 Li D27/162
 D945,698 S * 3/2022 Morgan D27/162
 D945,699 S ‡ 3/2022 Hermiz

OTHER PUBLICATIONS

Jull Pods By:Jull found on line (Mar. 22, 2022) <https://www.juul.com/shop/pods/menthol-3-percent> (Mar. 30, 2021).
 Non Final Rejection,U.S. Appl. No. 29/798,212, dated Apr. 13, 2022 (38 pages).

* cited by examiner
 ‡ imported from a related application

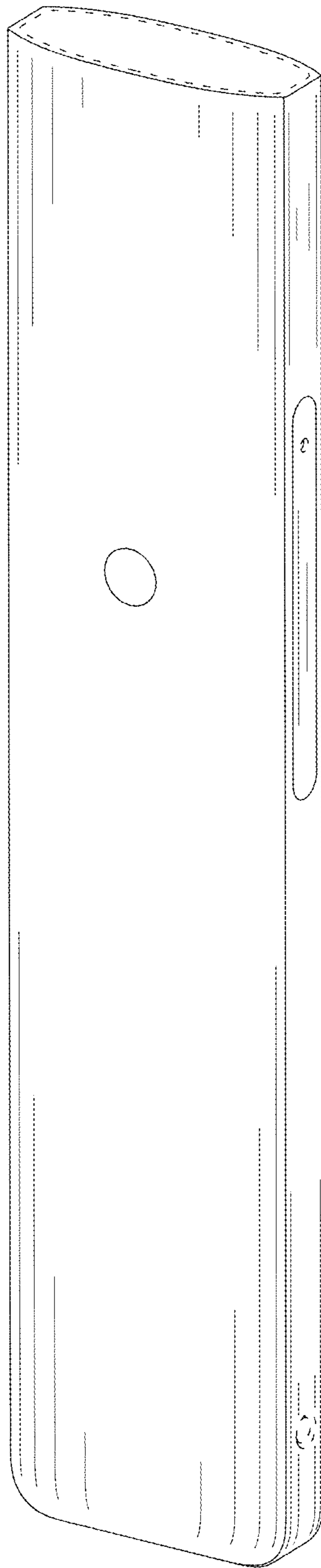


FIG. 1

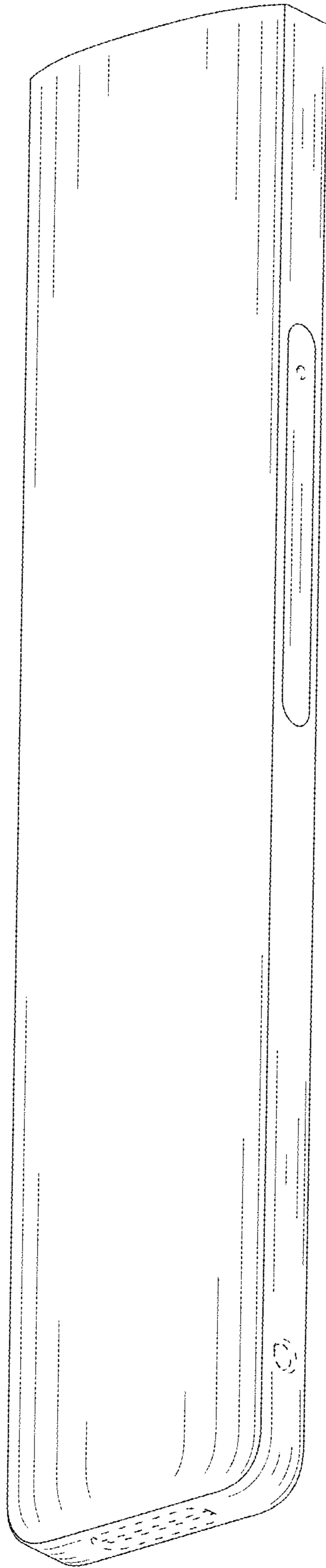


FIG. 2

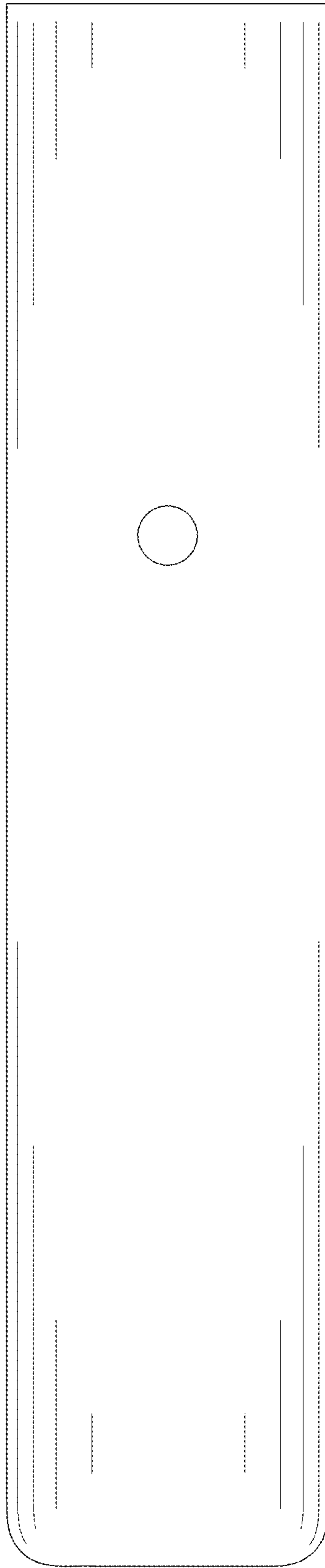


FIG. 3

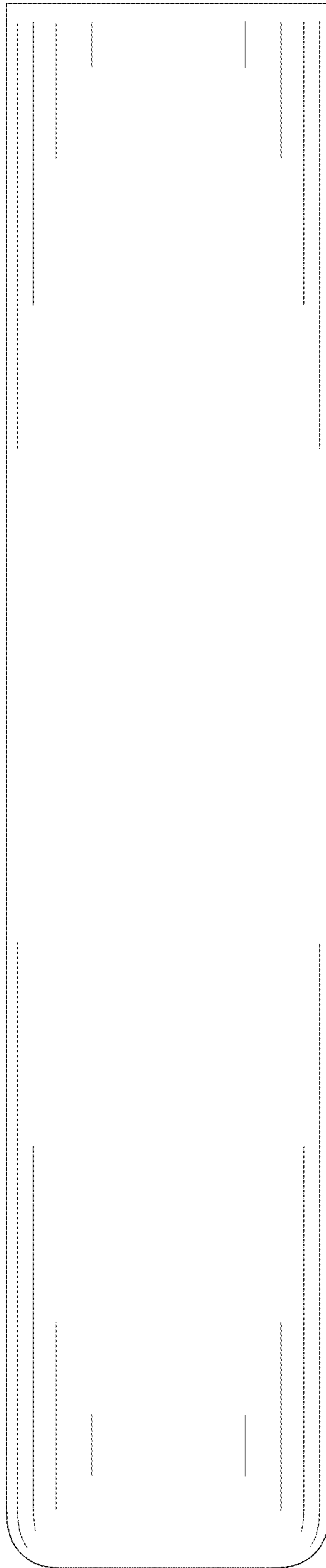


FIG. 4

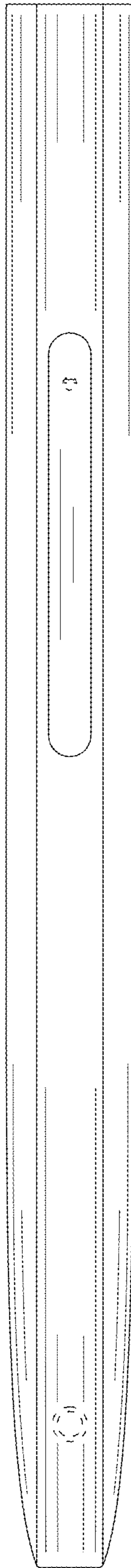


FIG. 5

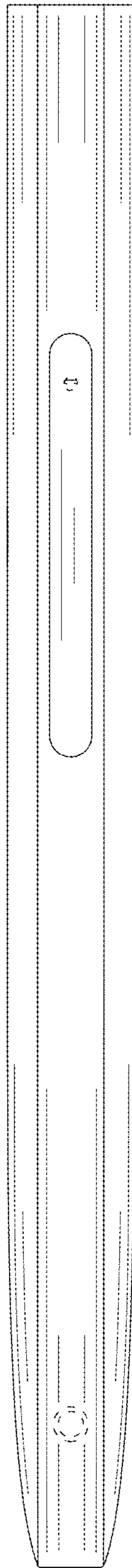


FIG. 6

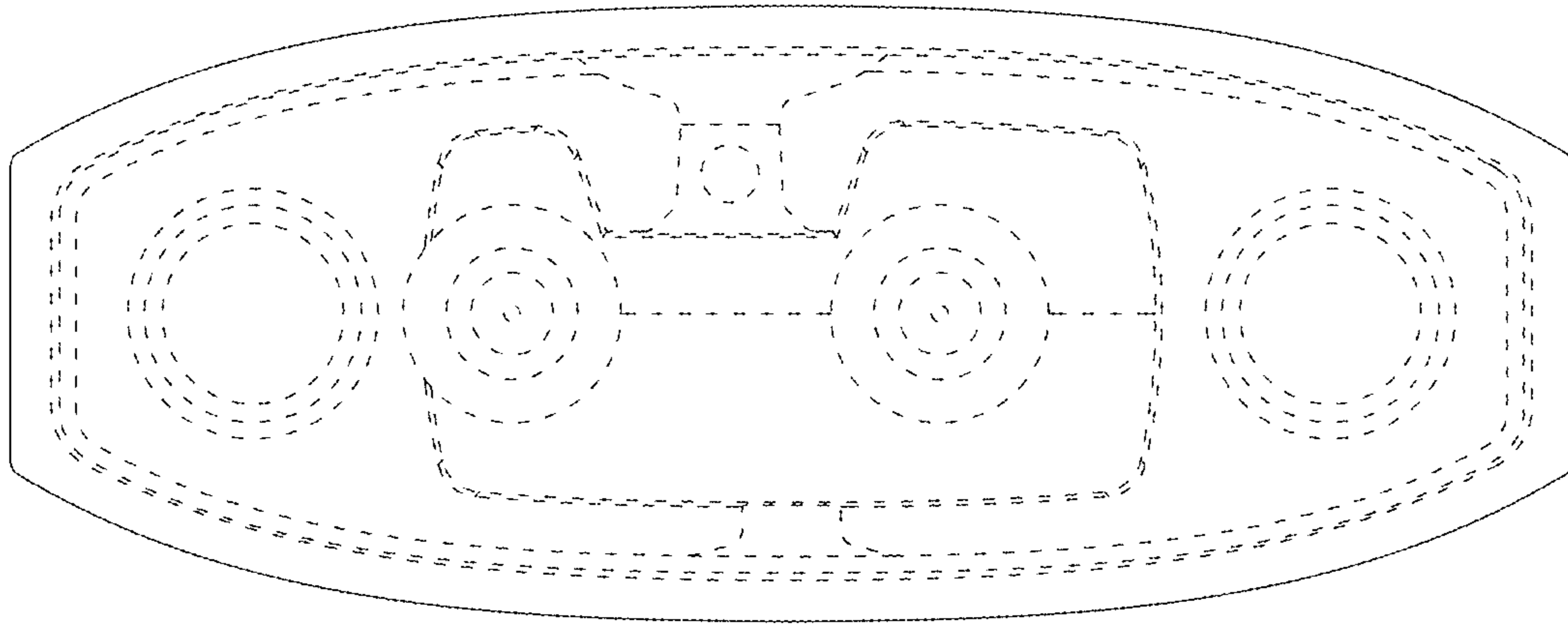


FIG. 7

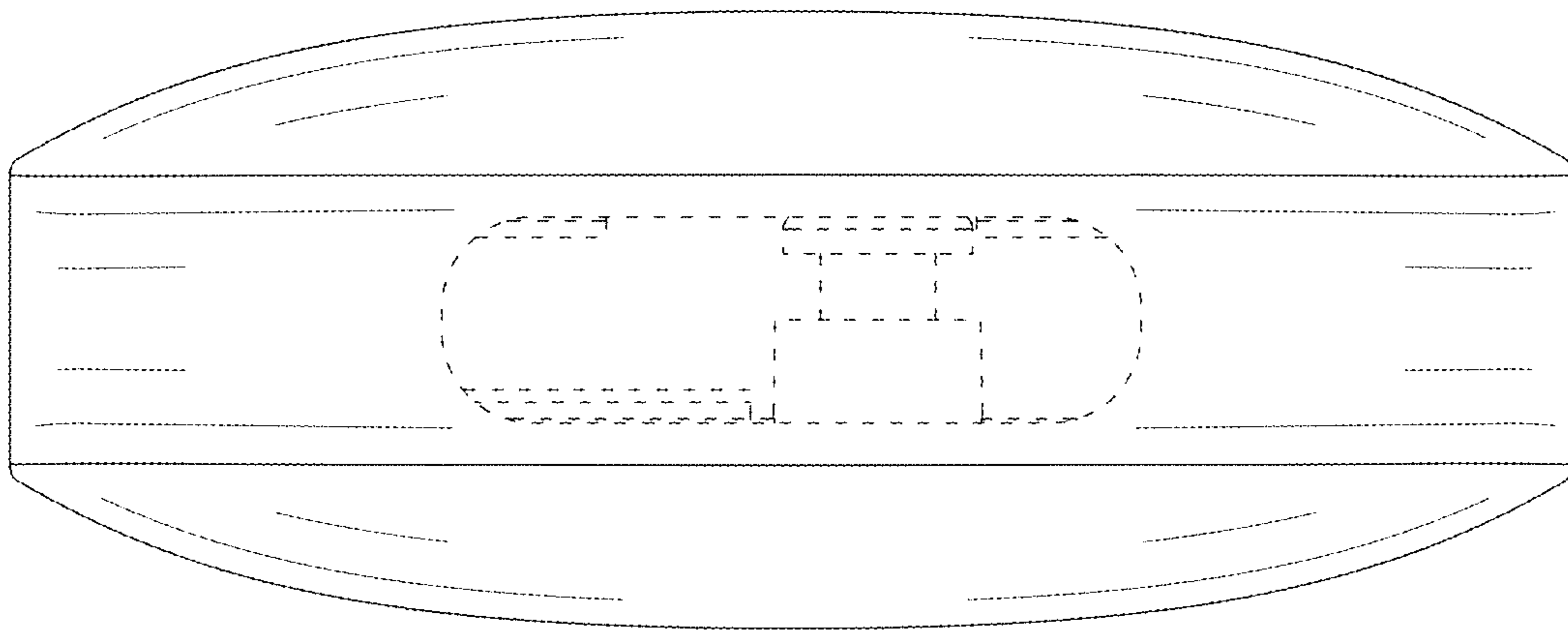


FIG. 8