

US00D967515S

(12) **United States Design Patent** (10) **Patent No.:** **US D967,515 S**  
**Kerr et al.** (45) **Date of Patent:** **\*\* Oct. 18, 2022**

(54) **AEROSOL GENERATION DEVICE**  
(71) Applicant: **Realizer Technologies, LLC**,  
Cheyenne, WY (US)  
(72) Inventors: **Ian Ashley Kerr**, Scottsdale, AZ (US);  
**Love Muhyi Sobhani**, Scottsdale, AZ  
(US)  
(73) Assignee: **Realizer Technologies, LLC**,  
Cheyenne, WY (US)

(\*\*) Term: **15 Years**

(21) Appl. No.: **29/718,226**

(22) Filed: **Dec. 21, 2019**

**Related U.S. Application Data**

(63) Continuation-in-part of application No. 29/688,155,  
filed on Apr. 18, 2019.

(51) **LOC (13) Cl.** ..... **27-02**

(52) **U.S. Cl.**  
USPC ..... **D27/162**

(58) **Field of Classification Search**  
USPC ..... D27/162, 100, 101, 163–165, 172,  
D27/174–176, 183, 185–194; D24/110,  
D24/110.5; D23/366  
CPC .... A24F 47/002; A24F 47/006; A24F 47/008;  
A61M 15/00; A61M 15/06  
See application file for complete search history.

(56) **References Cited**

**U.S. PATENT DOCUMENTS**

D549,117 S \* 8/2007 Snider ..... D10/66  
D600,855 S \* 9/2009 Krohn ..... D27/189  
D609,855 S \* 2/2010 Patel ..... D27/189  
D649,236 S \* 11/2011 Bilko ..... D23/366  
D649,284 S \* 11/2011 Patel ..... D27/189  
D662,579 S \* 6/2012 Blanking ..... D23/366  
D675,516 S \* 2/2013 Horton ..... D9/424

D693,963 S \* 11/2013 Akopyan ..... D27/163  
D726,296 S \* 4/2015 Talbot ..... D23/366  
D846,798 S \* 4/2019 Chen ..... D27/163  
D852,408 S \* 6/2019 Nettenstrom ..... D27/101  
D864,471 S \* 10/2019 Cheng ..... D27/101  
D870,961 S \* 12/2019 Levinson ..... D27/162  
10,653,178 B1 \* 5/2020 Kerr ..... B05B 17/0607  
D895,199 S \* 9/2020 Li ..... D27/162  
D916,361 S \* 4/2021 Griscik ..... D27/162  
2009/0166230 A1 \* 7/2009 Henry ..... A45C 11/34  
206/214  
2020/0329763 A1 \* 10/2020 Kerr ..... A24F 40/05

\* cited by examiner

*Primary Examiner* — Rebecca Tsehaye

(74) *Attorney, Agent, or Firm* — Michael T. Wallace

(57) **CLAIM**

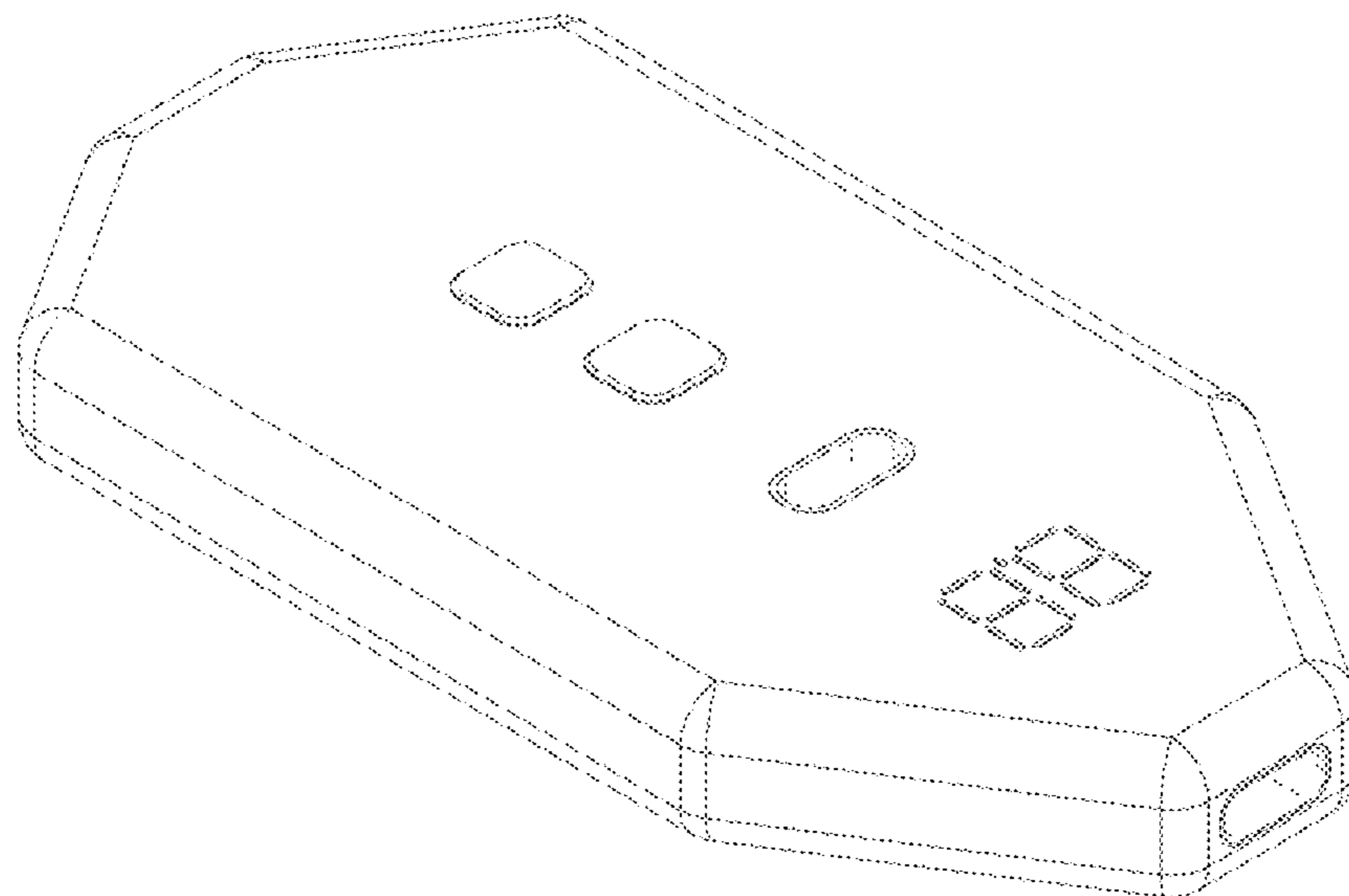
The ornamental design for an aerosol generation device, as shown and described.

**DESCRIPTION**

FIG. 1 is front, top, right perspective view of our new design for an aerosol generation device;  
FIG. 2 is a front, top, left perspective view thereof;  
FIG. 3 is a front, bottom, right perspective view thereof;  
FIG. 4 is a front, bottom, left perspective view thereof;  
FIG. 5 is a back, top, right perspective view thereof;  
FIG. 6 is a back, top, left perspective view thereof;  
FIG. 7 is a back, bottom, right perspective view thereof;  
FIG. 8 is a back, bottom, left perspective view thereof;  
FIG. 9 is a front view thereof;  
FIG. 10 is a back view thereof;  
FIG. 11 is a right side view thereof;  
FIG. 12 is a left side view thereof;  
FIG. 13 is a top view thereof; and,  
FIG. 14 is a bottom view thereof.

The broken lines in the drawings depict portions of the aerosol generation device that form no part of the claimed design.

**1 Claim, 14 Drawing Sheets**



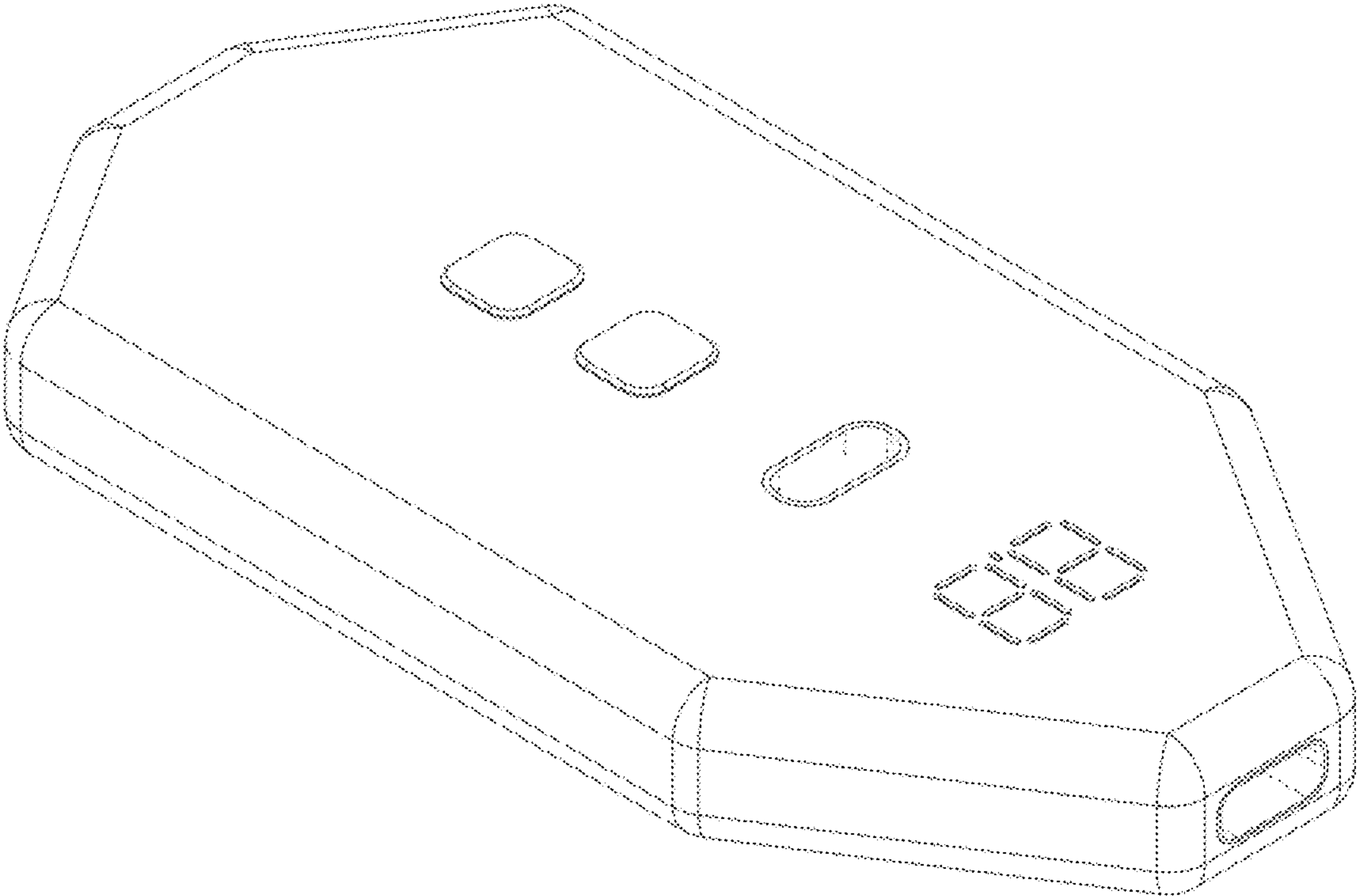


FIG. 1

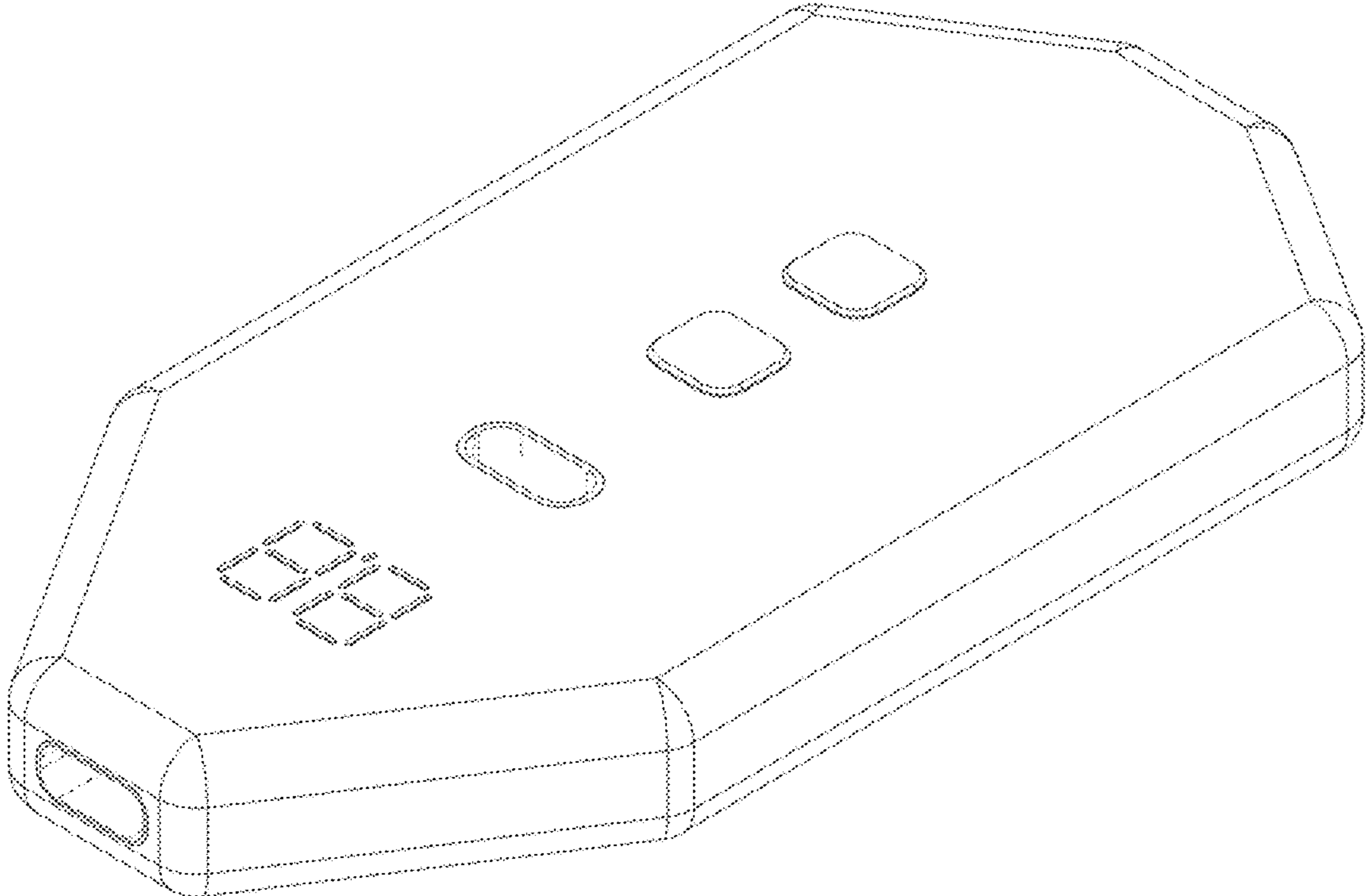


FIG. 2

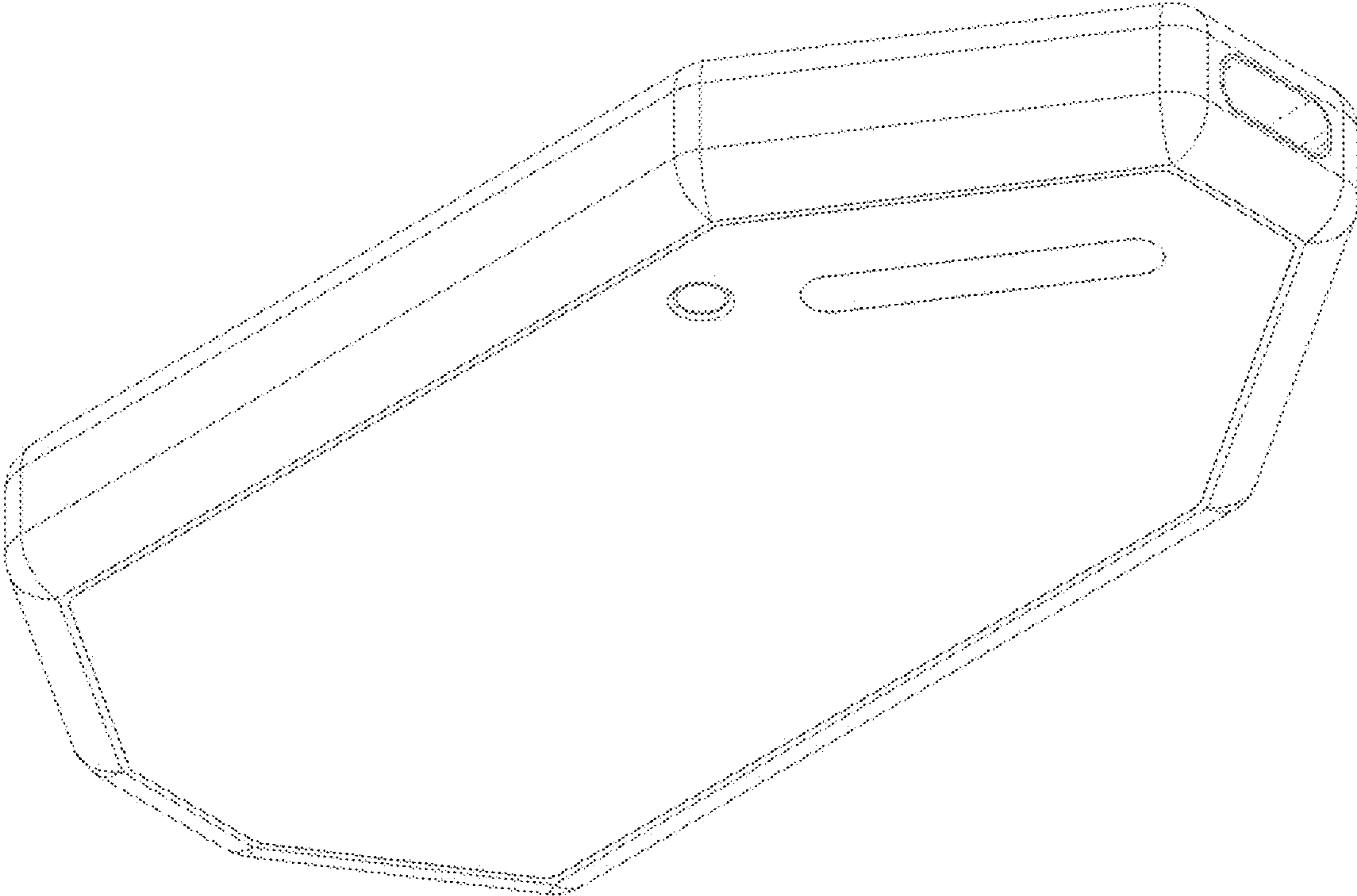


FIG. 3

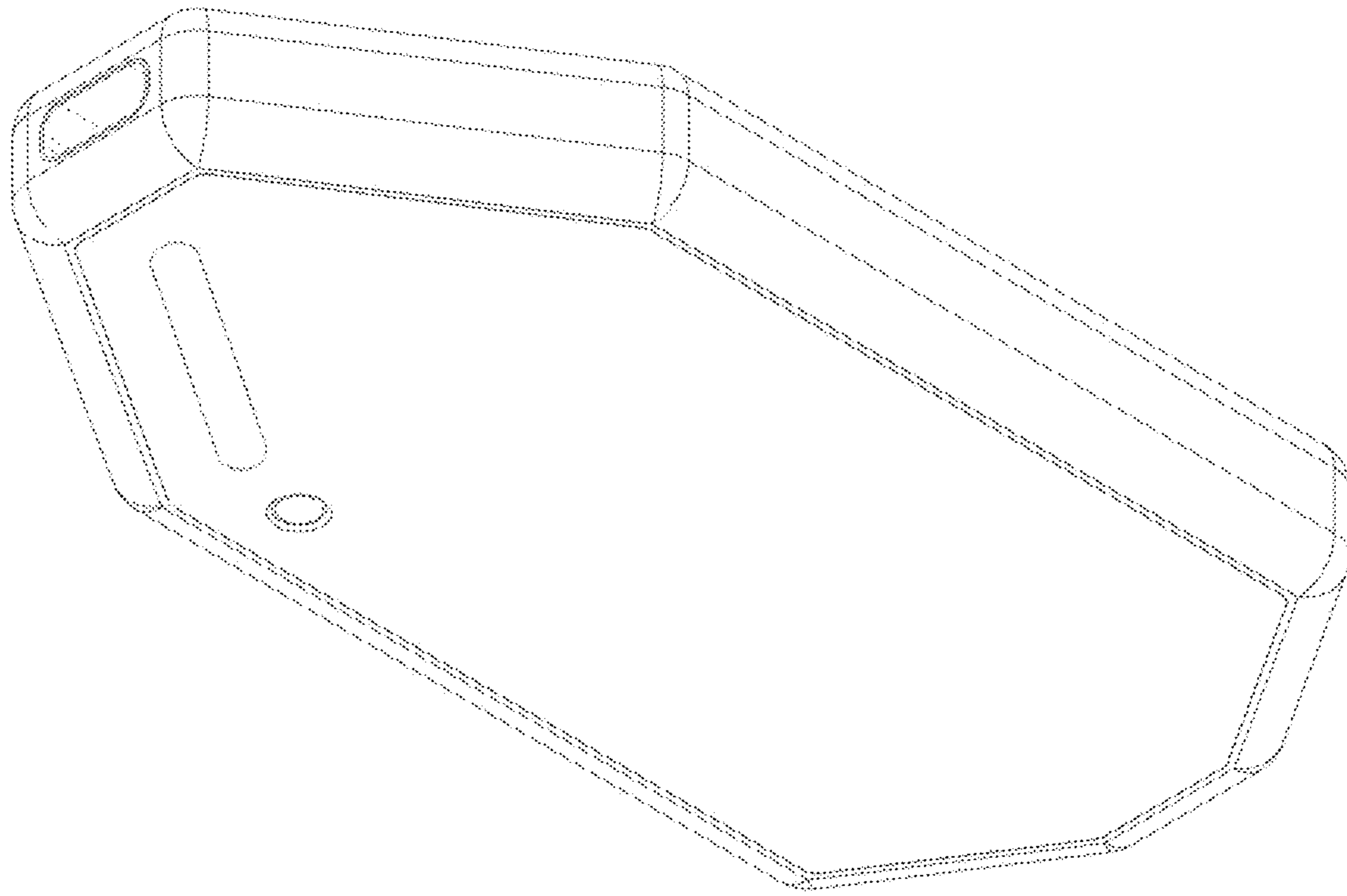


FIG. 4

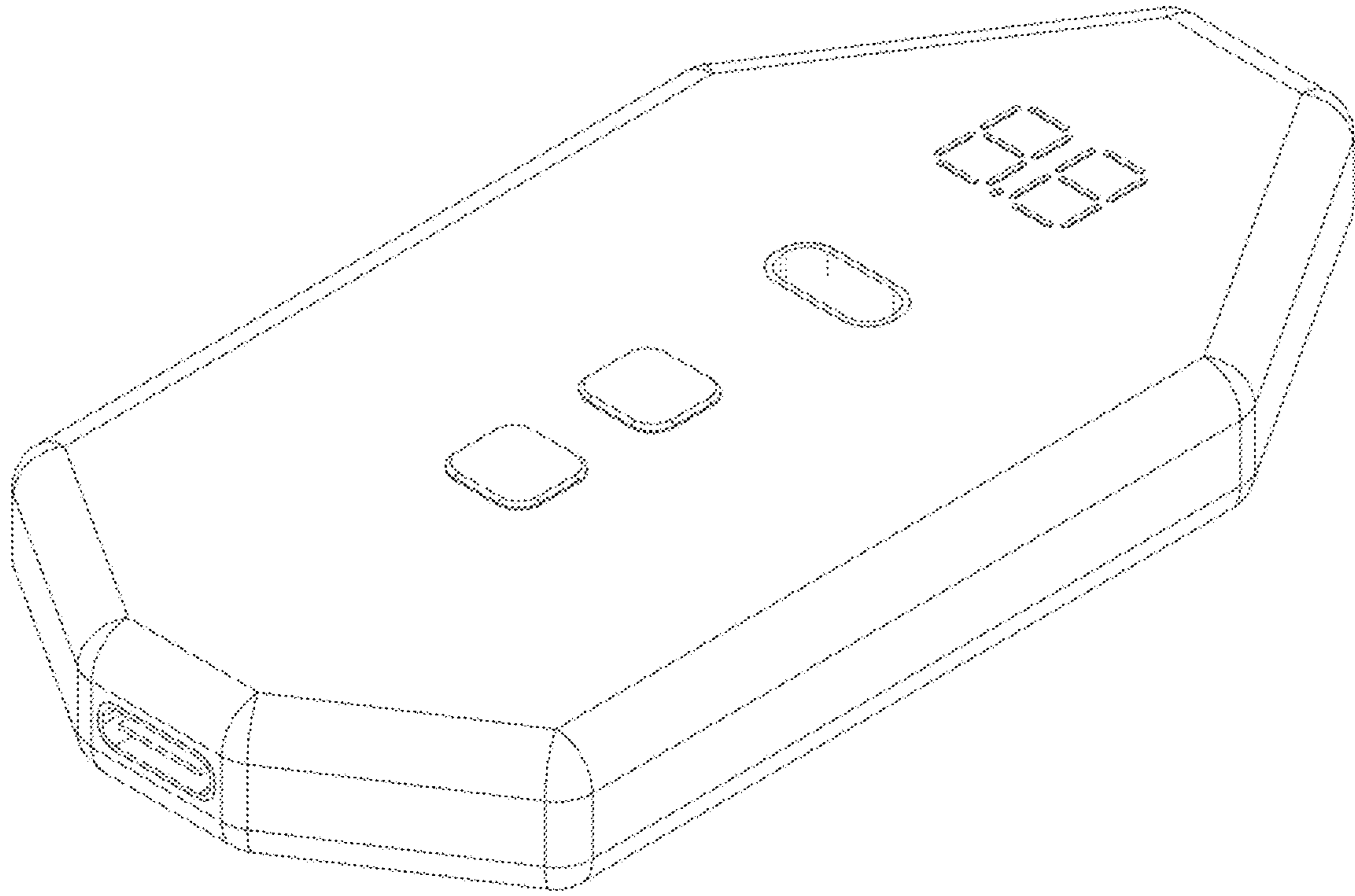


FIG. 5



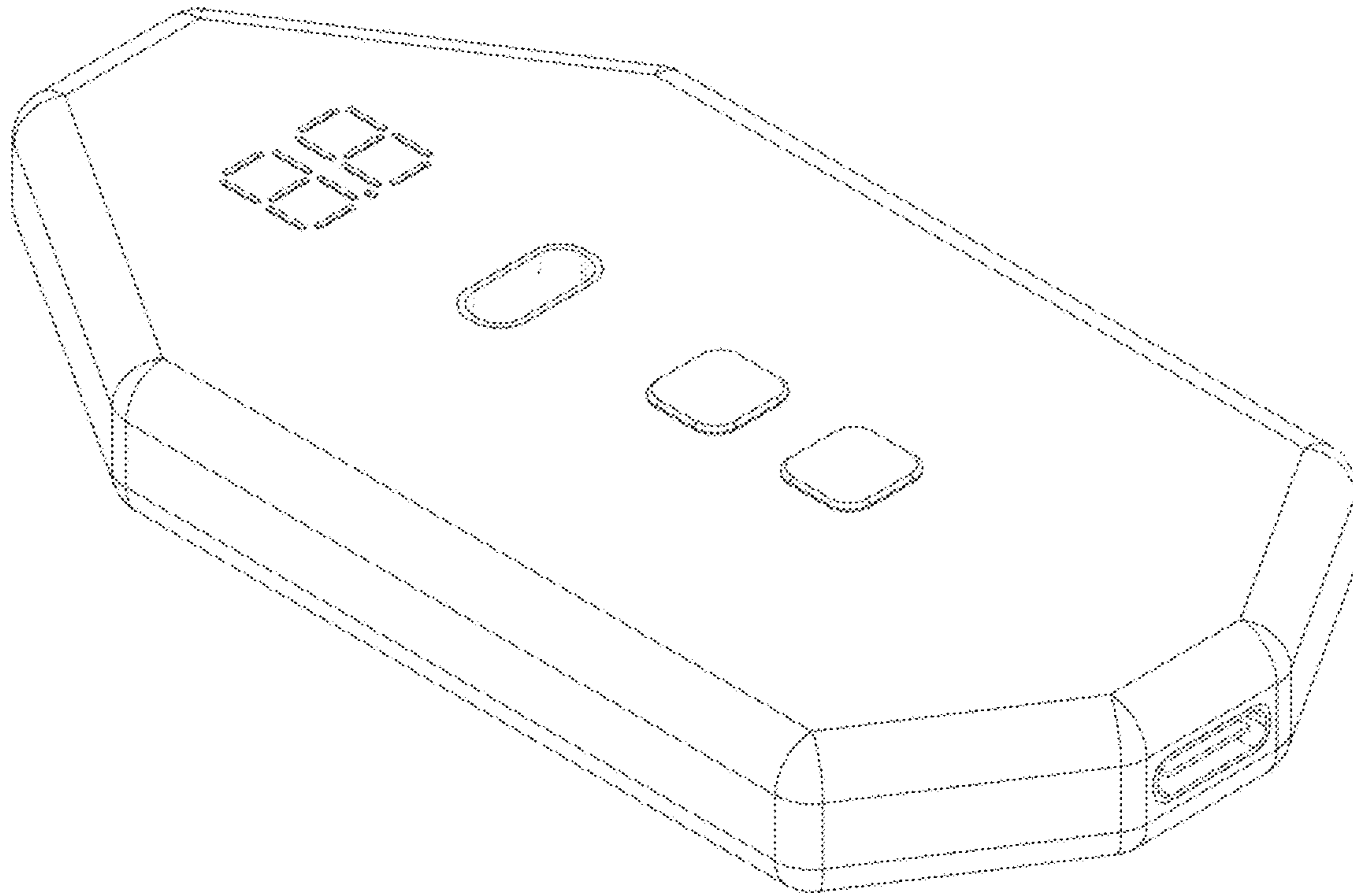


FIG. 6

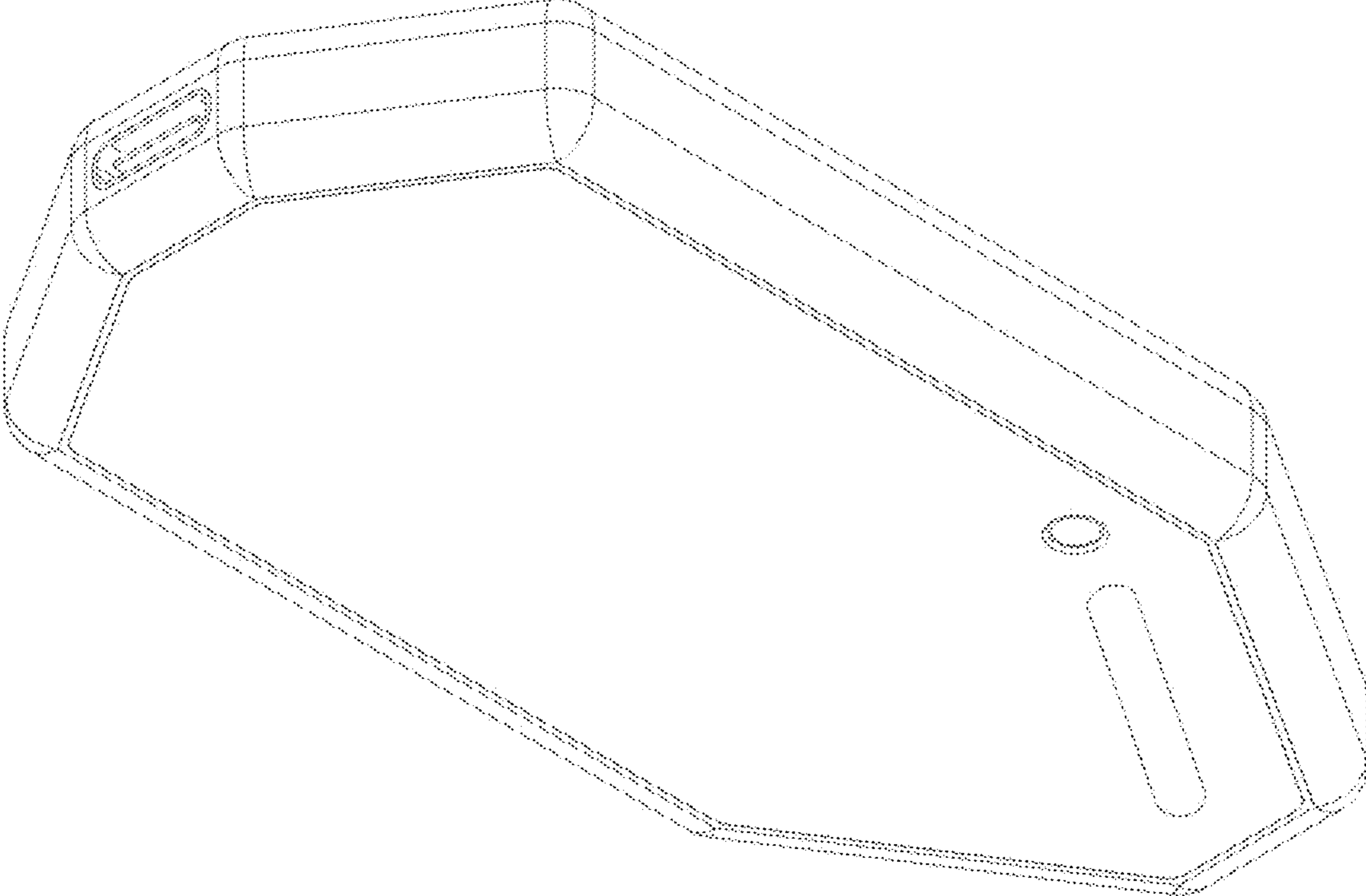


FIG. 7



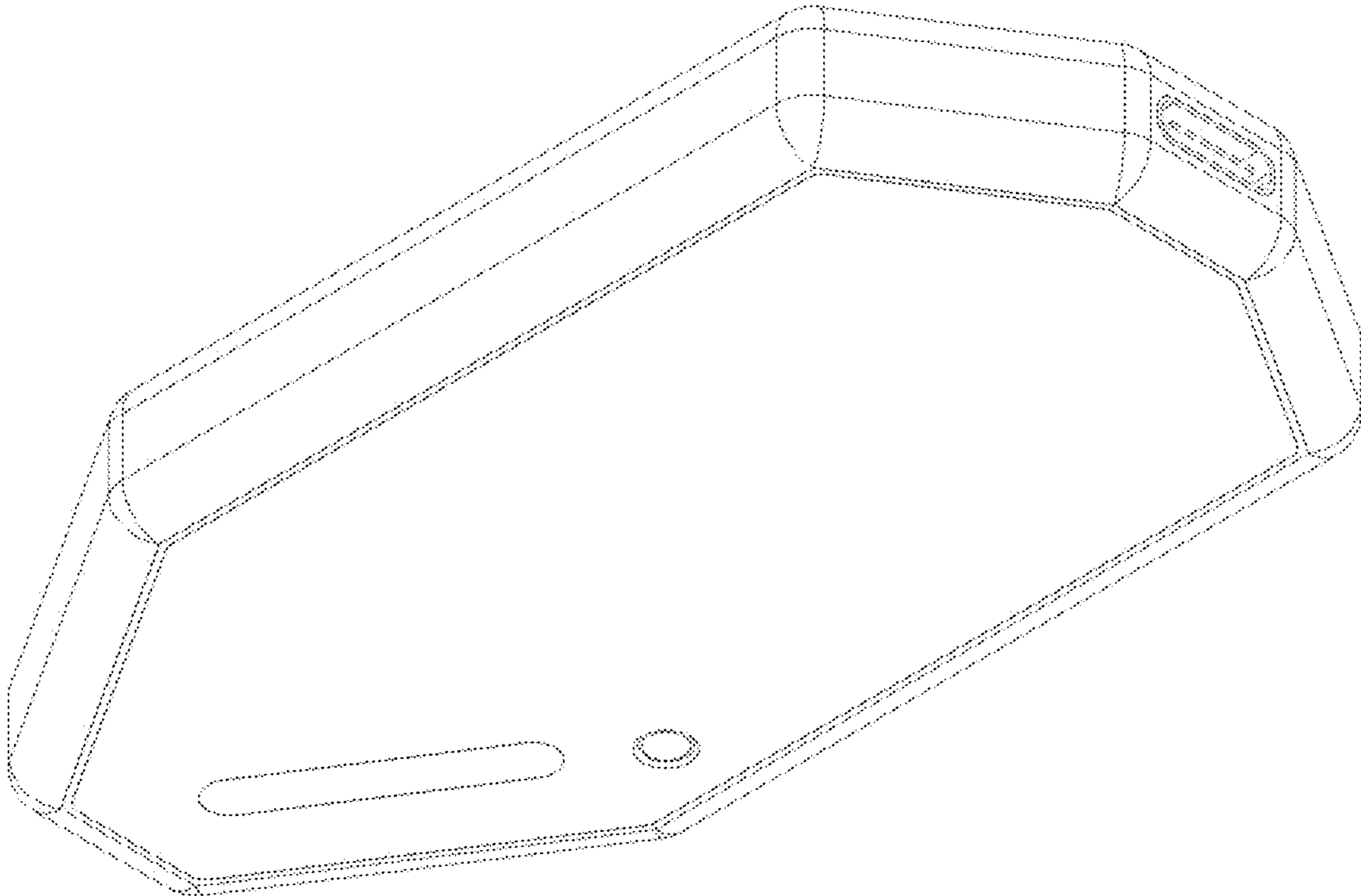


FIG. 8

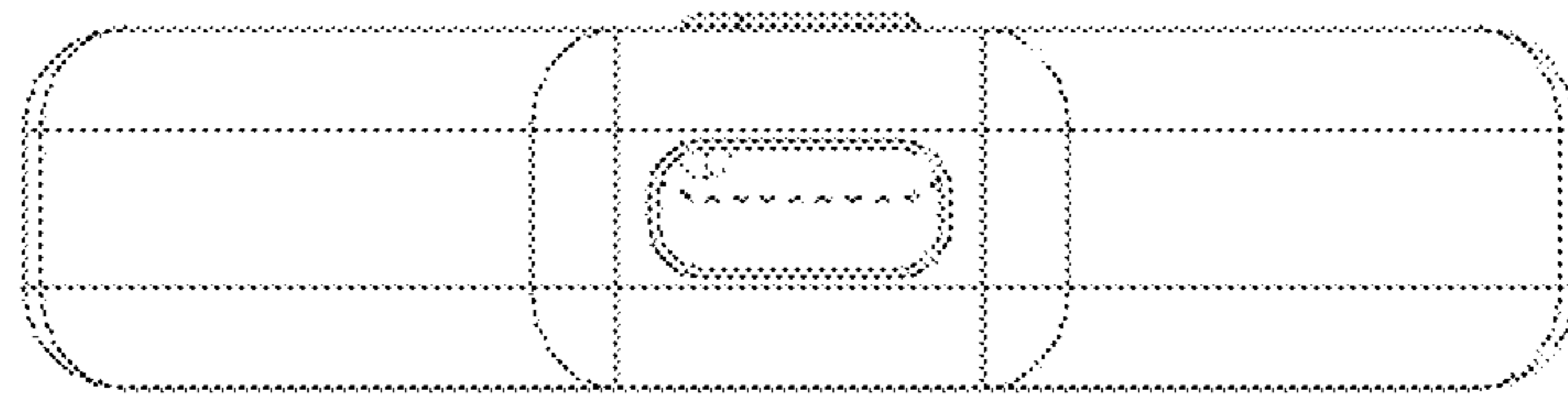


FIG. 9

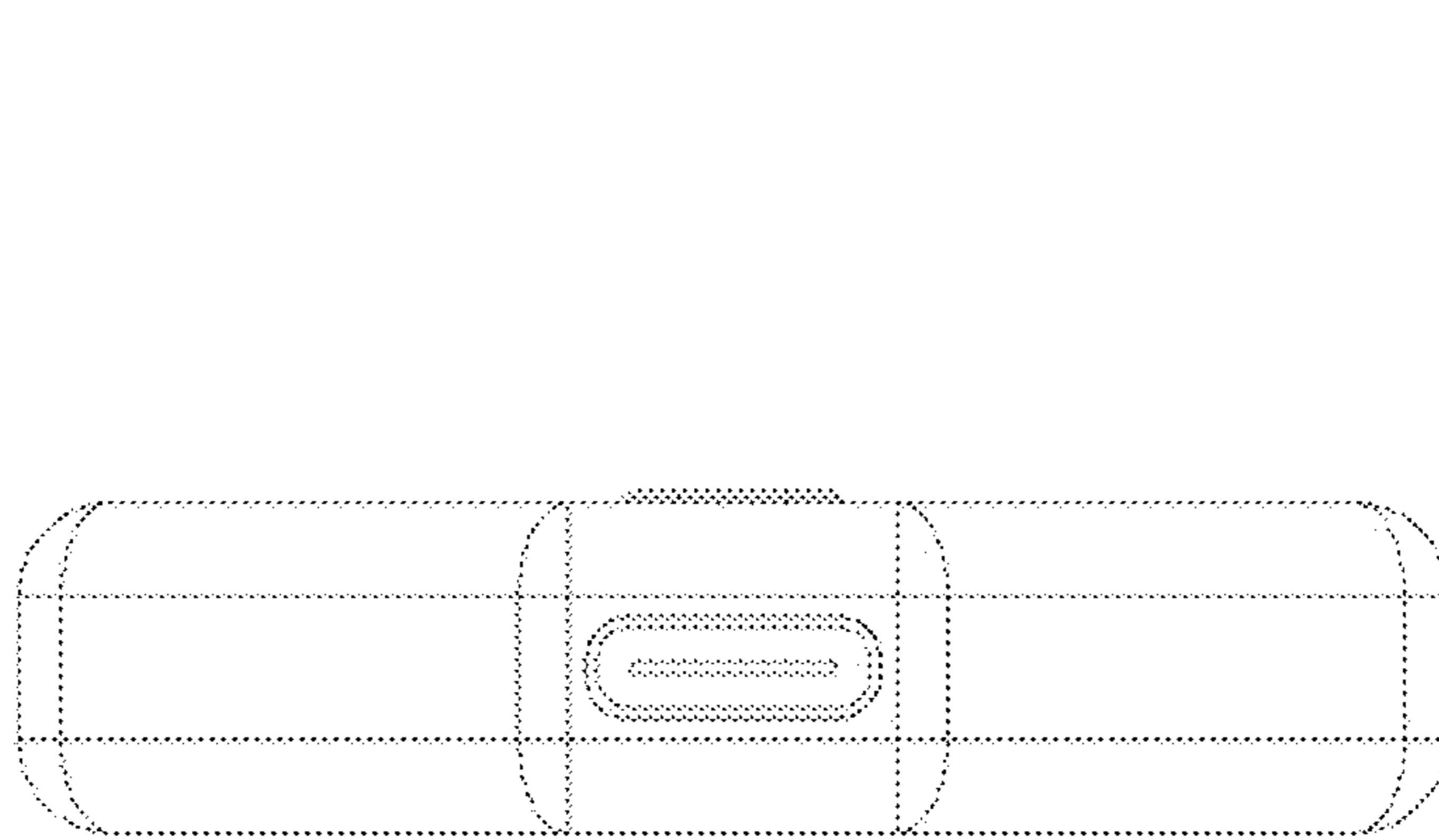


FIG. 10

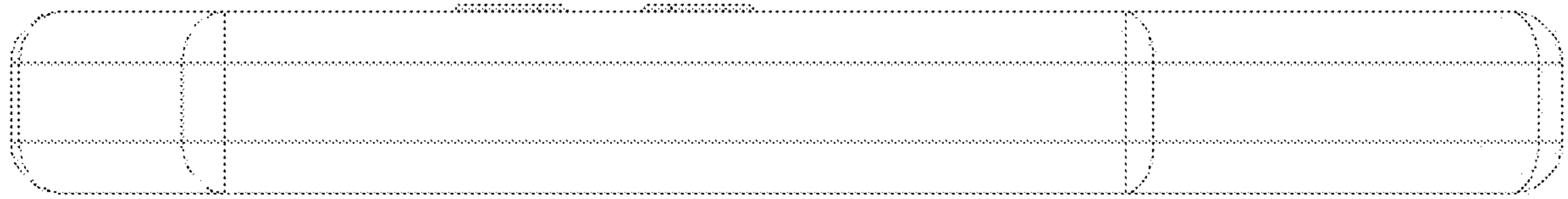


FIG. 11

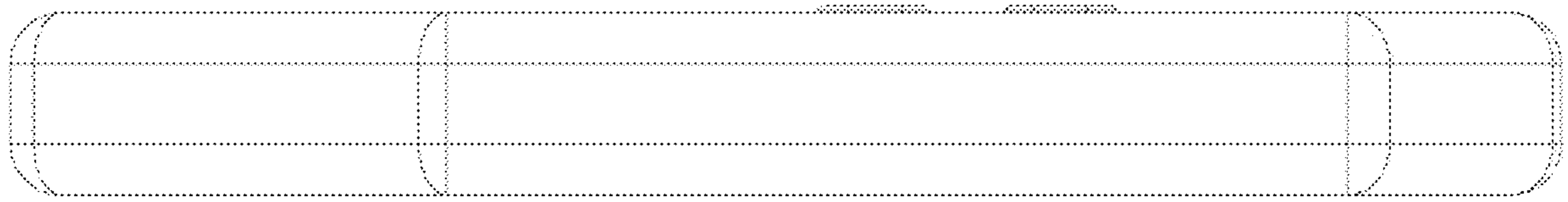


FIG. 12

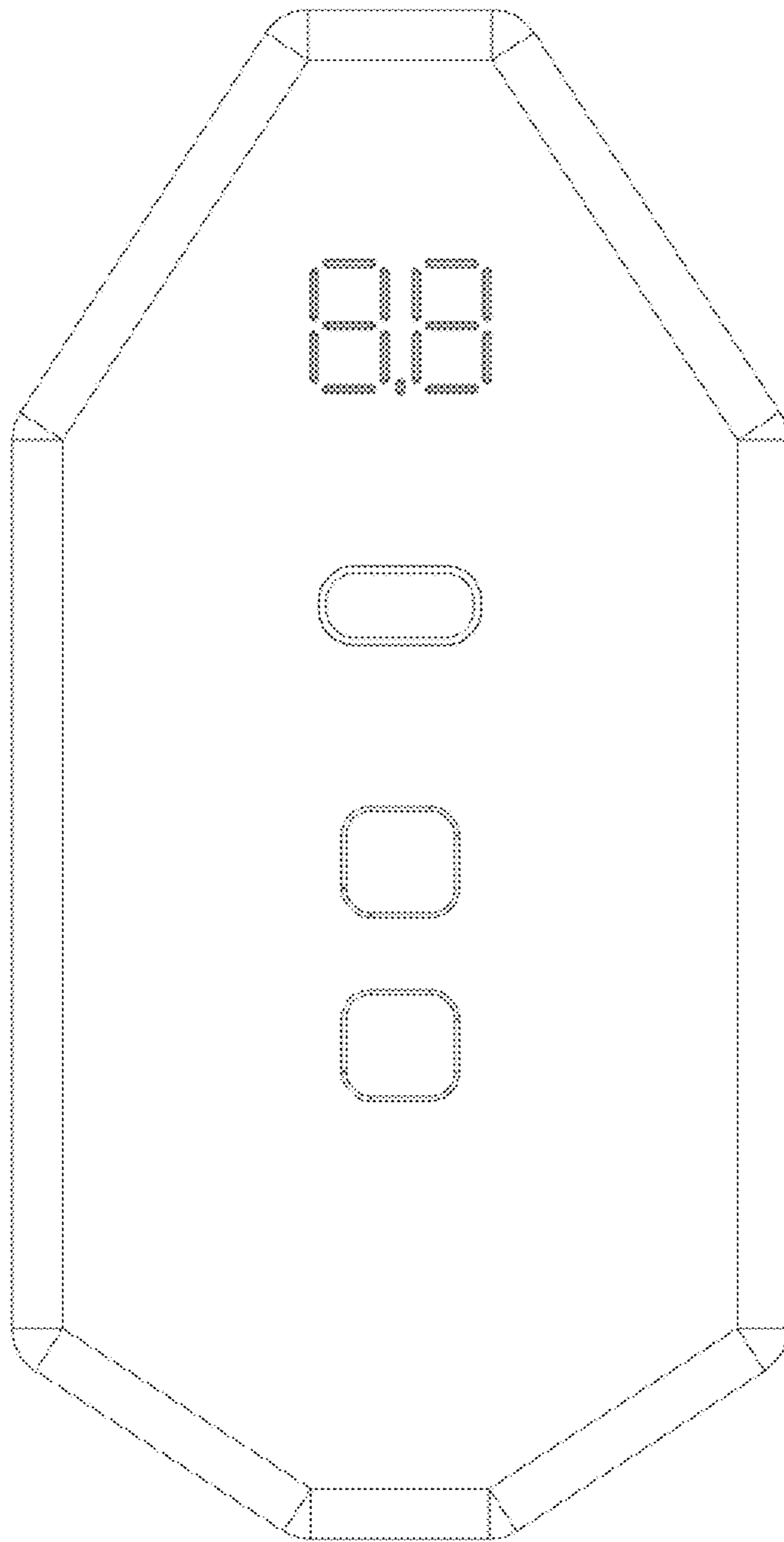


FIG. 13



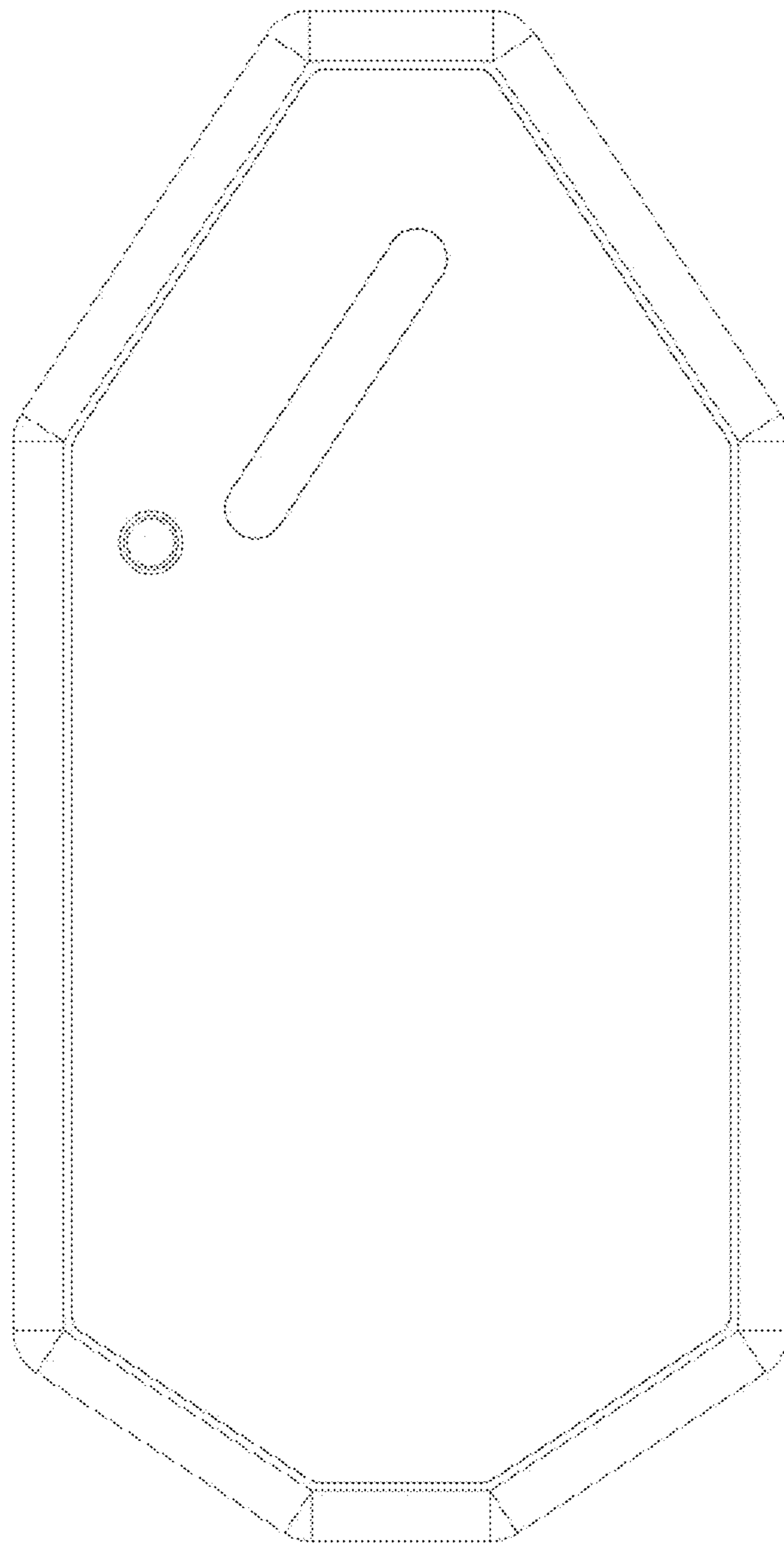


FIG. 14