



US00D967514S

(12) **United States Design Patent** (10) **Patent No.:** **US D967,514 S**  
**Rife** (45) **Date of Patent:** **\*\* Oct. 18, 2022**

(54) **STAND OFF FOR MOUNTING A VEHICLE LAMP**  
(71) Applicant: **Robert Thomas Rife**, Tonawanda, NY (US)  
(72) Inventor: **Robert Thomas Rife**, Tonawanda, NY (US)  
(\*\*) Term: **15 Years**

6,015,219 A \* 1/2000 Kelly ..... B60Q 1/007 362/241  
D421,314 S \* 2/2000 Hussaini ..... D26/28  
D477,104 S \* 7/2003 Wang ..... D26/72  
D528,949 S \* 9/2006 Tirey ..... D12/162  
D578,115 S \* 10/2008 Brignull ..... D14/239  
D848,668 S \* 5/2019 Pukall ..... D26/142  
D851,481 S \* 6/2019 Blom ..... D6/546  
D877,390 S \* 3/2020 Farzan ..... D26/74  
D914,079 S \* 3/2021 van den Brink ..... D16/242  
D914,242 S \* 3/2021 Foy ..... D25/68  
D941,669 S \* 1/2022 Van Deursen ..... D8/382

(21) Appl. No.: **29/728,045**  
(22) Filed: **Mar. 16, 2020**  
(51) **LOC (13) Cl.** ..... **26-05**  
(52) **U.S. Cl.**  
USPC ..... **D26/142**  
(58) **Field of Classification Search**  
USPC ..... D26/63, 72, 80, 81-92, 142, 143, 144;  
D25/68, 69; D8/354, 382  
CPC .... F21S 8/03; F21S 8/031; F21S 8/033; F21S  
8/035; F21S 8/036; F21S 13/02  
See application file for complete search history.

\* cited by examiner

*Primary Examiner* — Richard Kearney  
*Assistant Examiner* — Benjamin M Weeks

(57) **CLAIM**

The ornamental design for a stand off for mounting a vehicle lamp, as shown and described.

**DESCRIPTION**

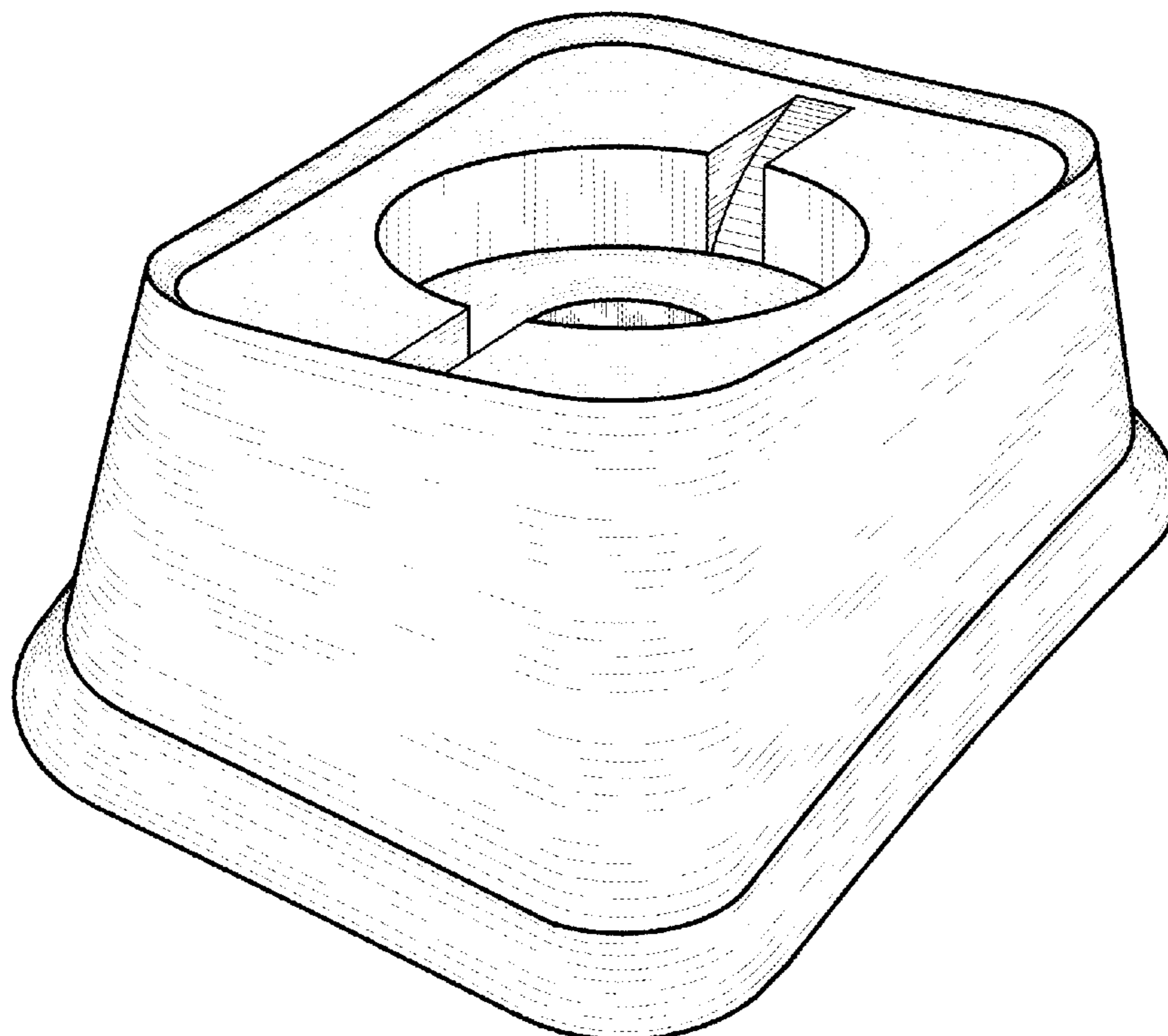
FIG. 1 is a Perspective View of a stand off for mounting a vehicle lamp showing my new design; FIG. 2 is a Front View thereof; FIG. 3 is a Rear View thereof; FIG. 4 is a Left View thereof; FIG. 5 is a Right View thereof; FIG. 6 is a Top View thereof; FIG. 7 is a Bottom View thereof; and, FIG. 8 is perspective view thereof, showing the stand off for mounting a vehicle lamp in a condition of use. The broken lines shown in the drawings illustrate environmental structure and form no part of the claimed design.

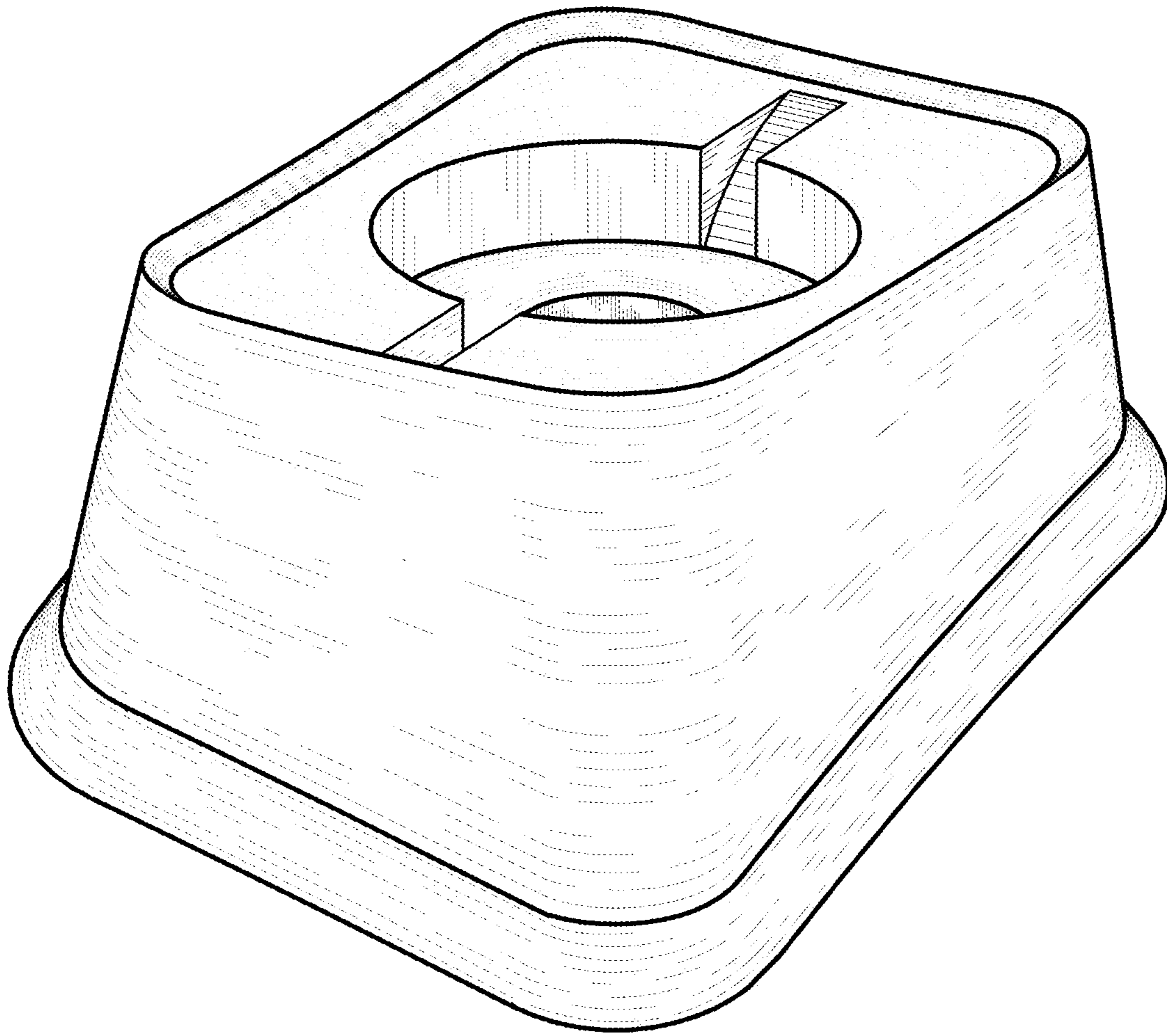
(56) **References Cited**

U.S. PATENT DOCUMENTS

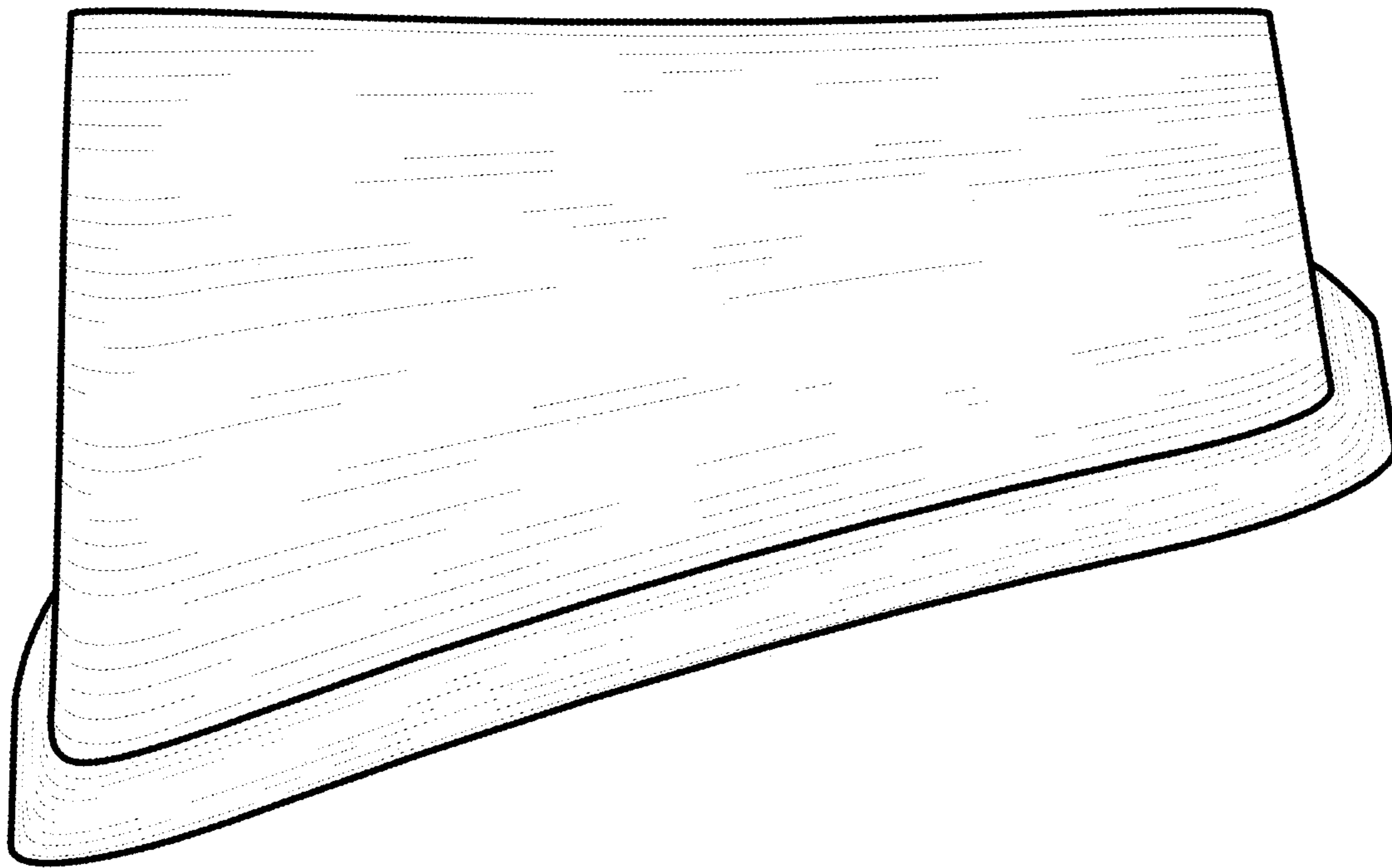
D260,937 S \* 9/1981 Hetrick ..... D26/35  
D290,515 S \* 6/1987 Brownlie ..... D26/35  
D368,463 S \* 4/1996 Kazenelson ..... D12/190  
D372,995 S \* 8/1996 Huang ..... D26/28  
D390,979 S \* 2/1998 Yamamoto ..... D26/28  
D390,980 S \* 2/1998 Yamamoto ..... D26/28  
D399,326 S \* 10/1998 Kelly ..... D26/28  
D414,885 S \* 10/1999 Chung ..... D26/28

**1 Claim, 8 Drawing Sheets**

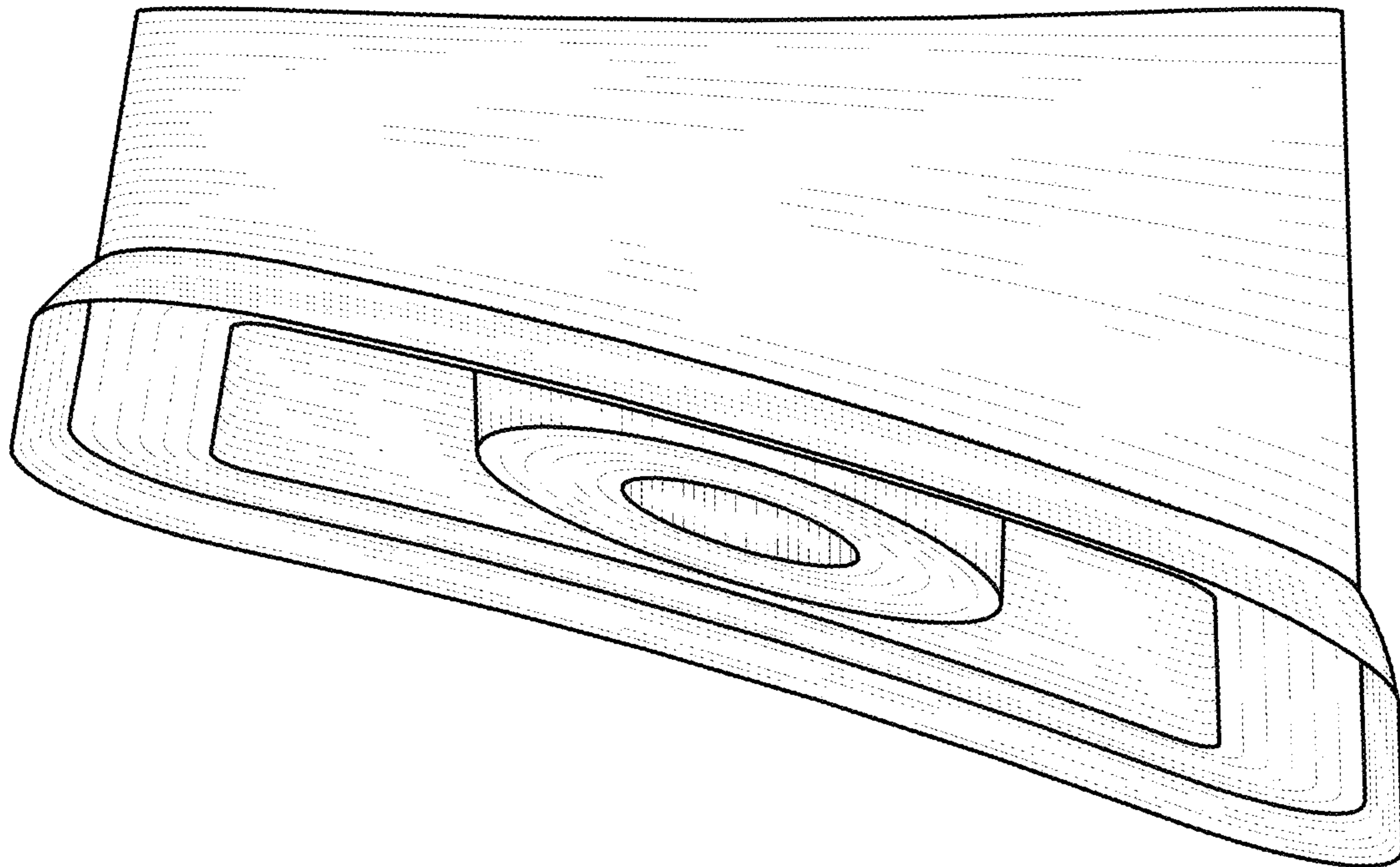




*Fig. 1*

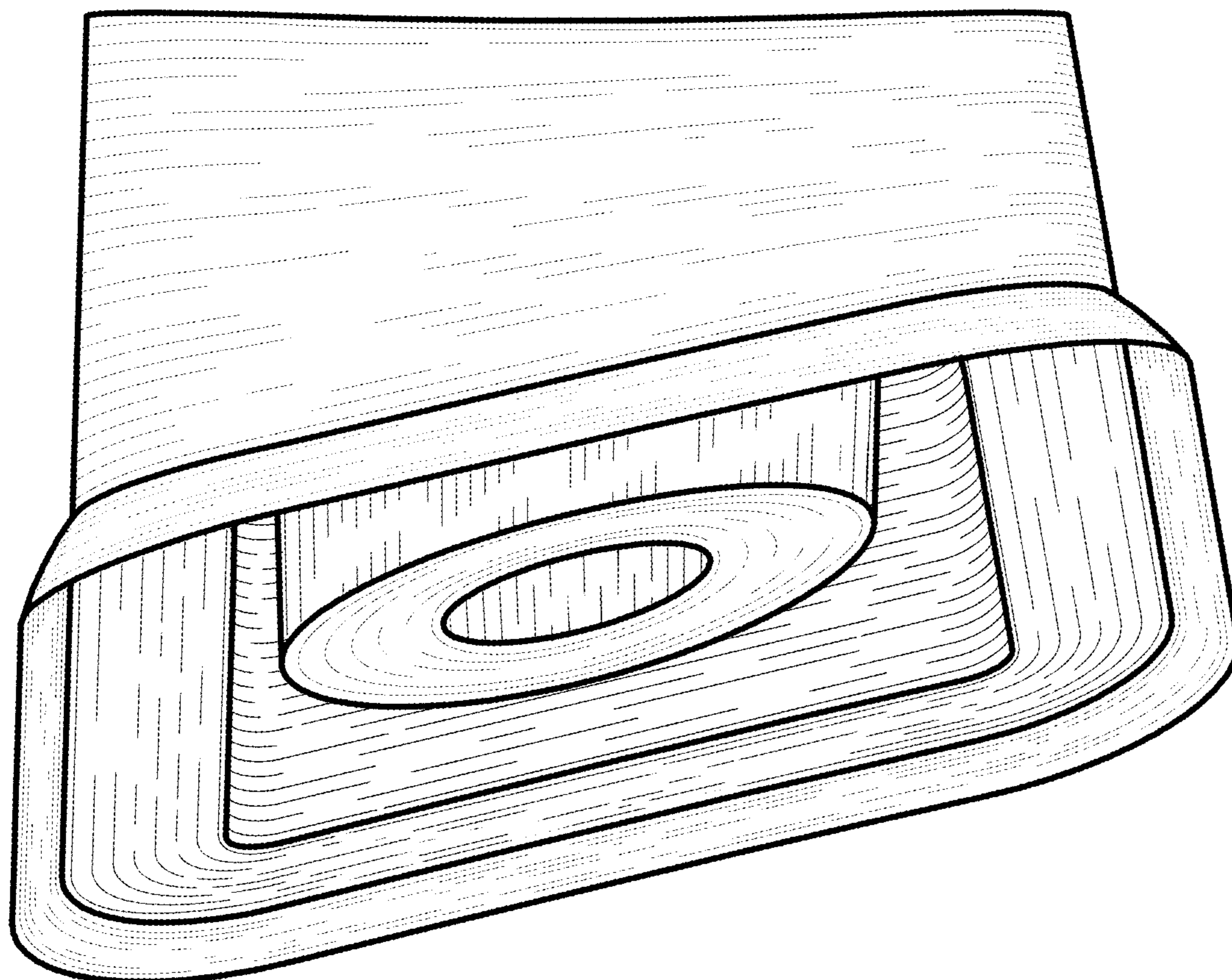


*Fig. 2*

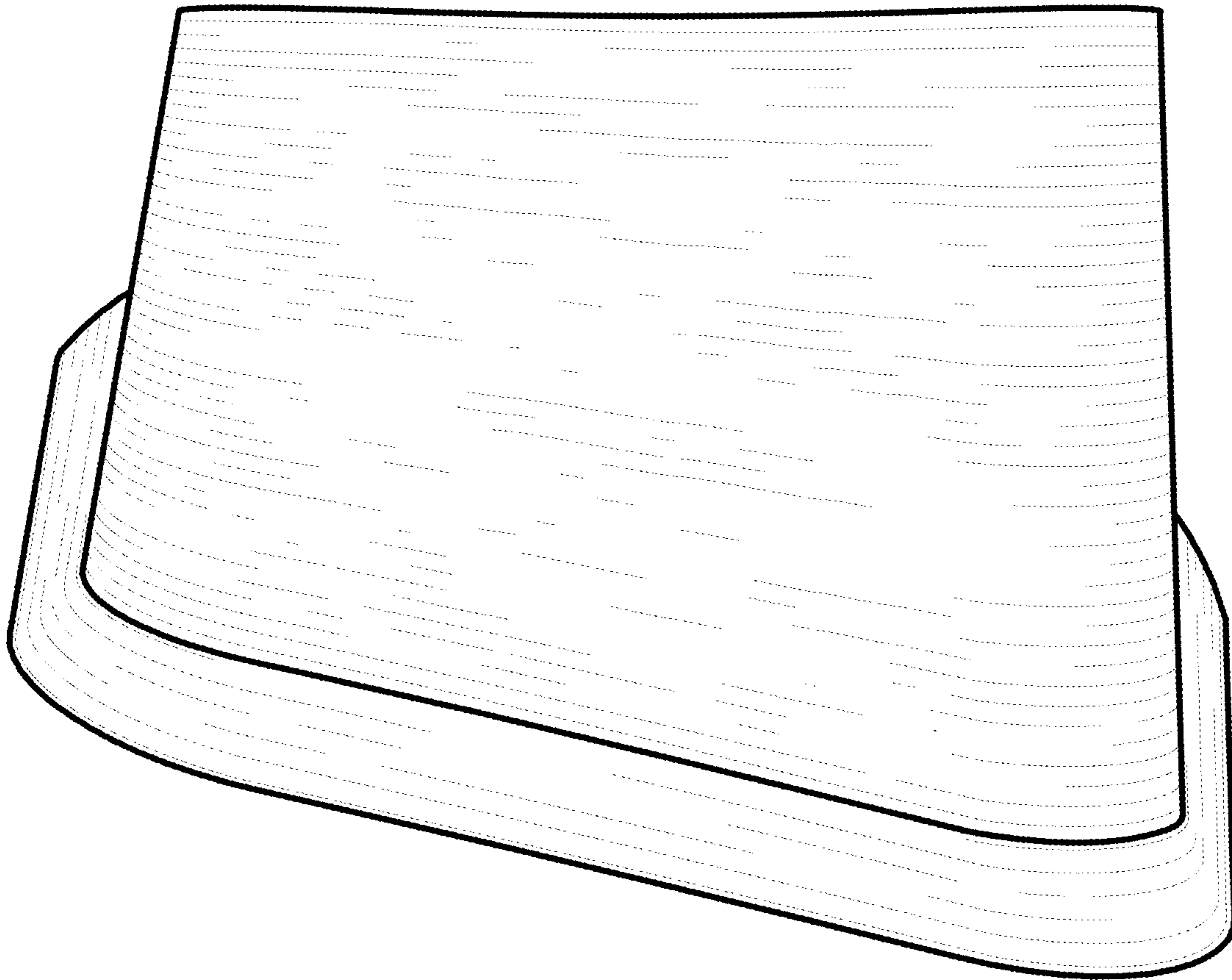


*Fig. 3*

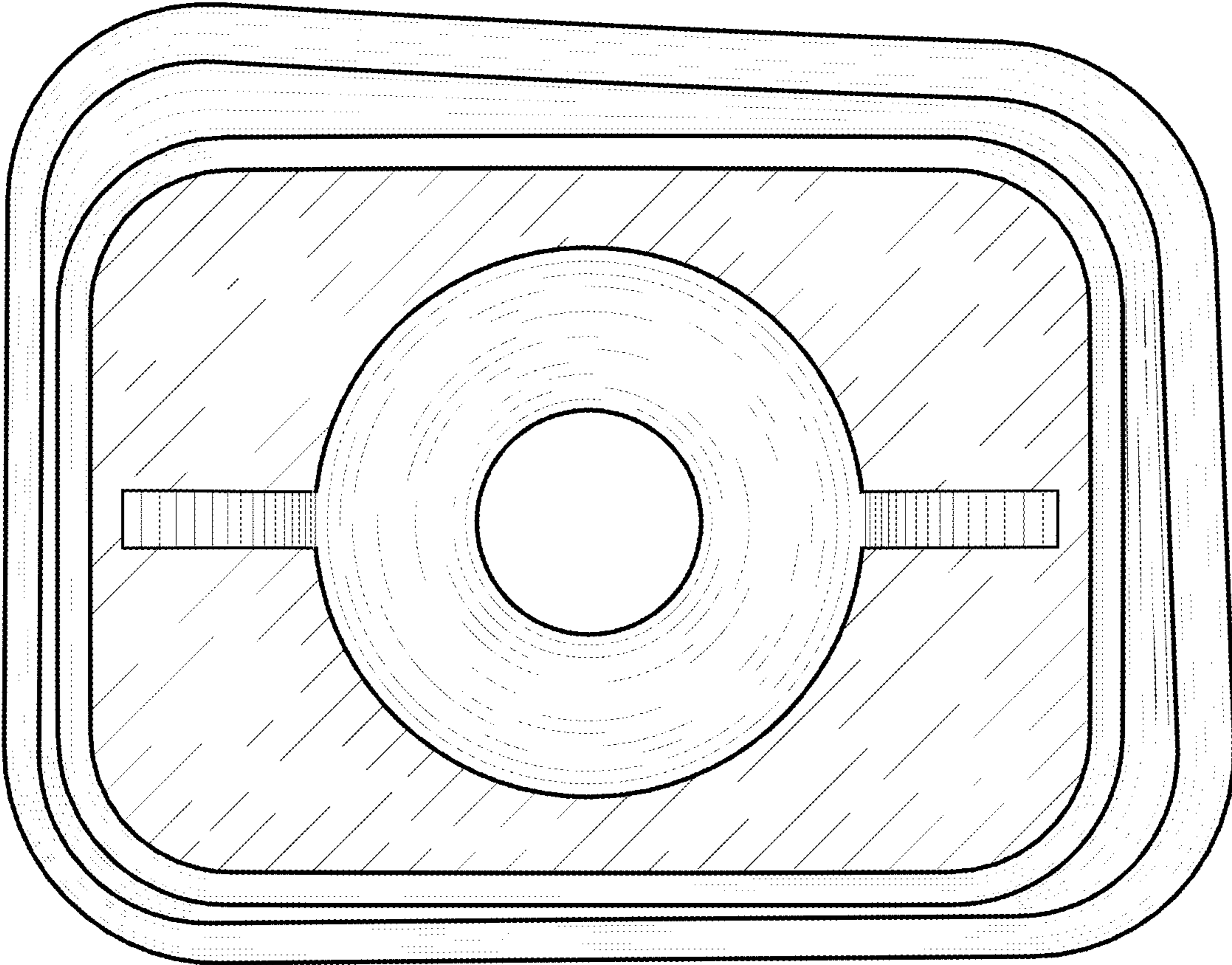




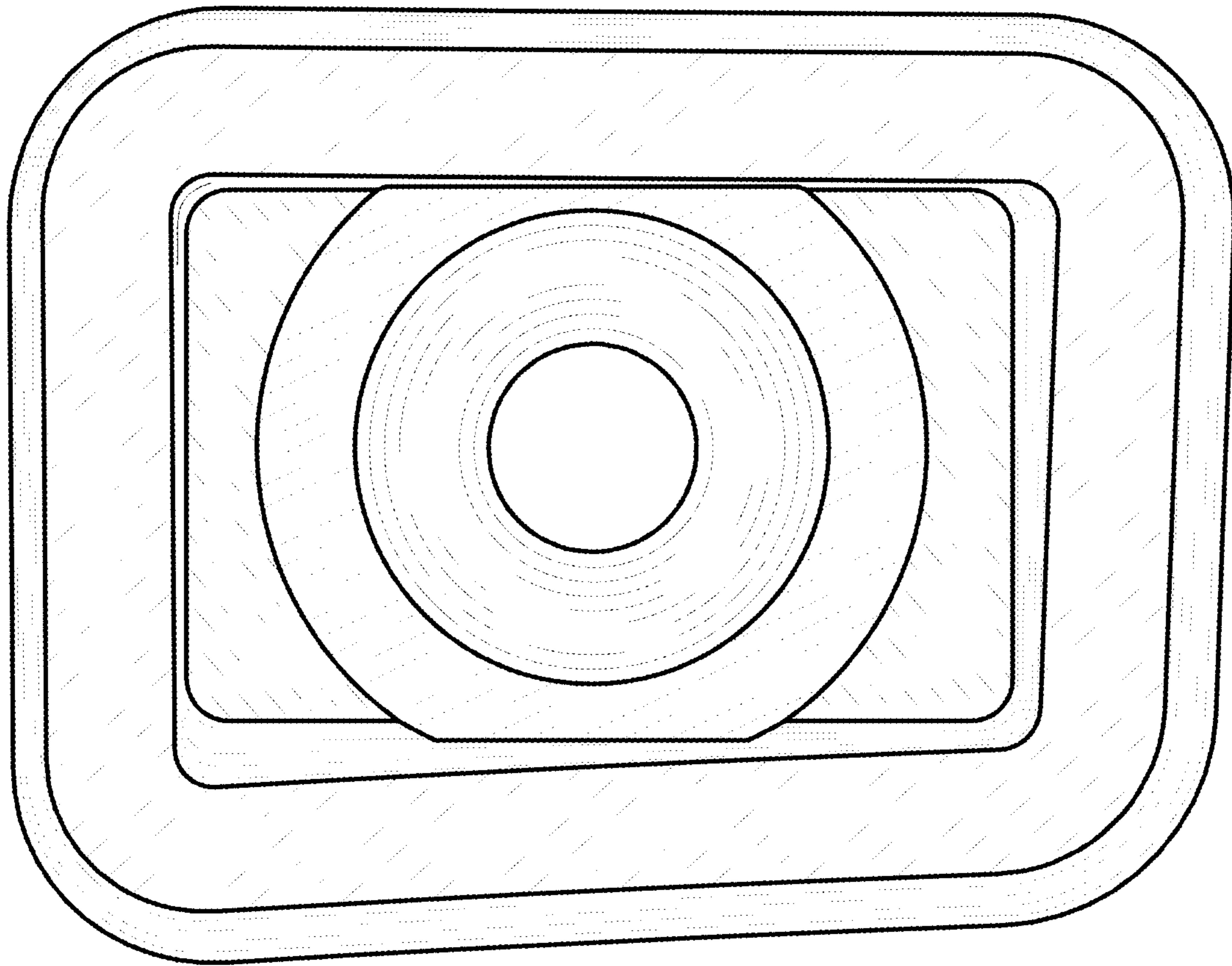
*Fig. 4*



*Fig. 5*

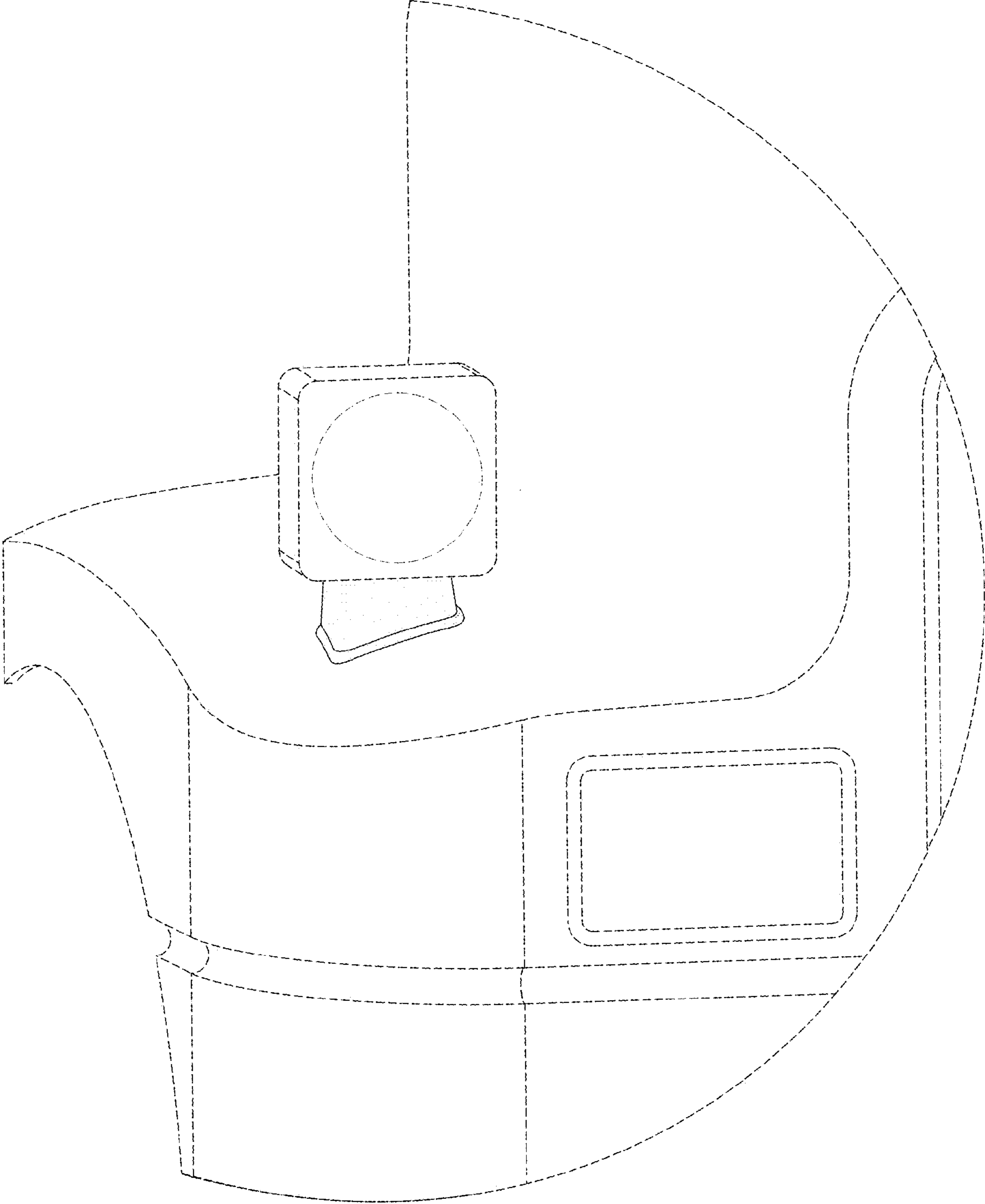


*Fig. 6*



*Fig. 7*





**FIG. 8**