



US00D967513S

(12) **United States Design Patent**  
**Sempé**

(10) **Patent No.:** **US D967,513 S**

(45) **Date of Patent:** **\*\* Oct. 18, 2022**

(54) **LAMP**

(71) Applicant: **HAY APS**, Horsens (DK)

(72) Inventor: **Inga Sempé**, Paris (FR)

(73) Assignee: **HAY APS**, Horsens (DK)

(\*\*) Term: **15 Years**

(21) Appl. No.: **29/711,333**

(22) Filed: **Oct. 30, 2019**

(30) **Foreign Application Priority Data**

May 21, 2019 (CN) ..... 201930251120.2

(51) **LOC (13) Cl.** ..... **26-05**

(52) **U.S. Cl.**  
USPC ..... **D26/142; D26/107**

(58) **Field of Classification Search**  
USPC .... D26/24, 60–63, 72, 85, 93, 94, 106, 107,  
D26/113, 118, 138, 142; D3/5  
CPC .... F21S 6/00; F21S 6/002; F21S 6/003; F21S  
8/00; F21S 8/03; F21S 8/033; F21S  
8/036; F21V 1/00; F21V 21/00; F21V  
21/02  
See application file for complete search history.

(56) **References Cited**

**U.S. PATENT DOCUMENTS**

D60,623 S *	3/1922	Nelson	.....	D26/94
D164,886 S *	10/1951	Versen	.....	D26/107
D165,654 S *	1/1952	Kramer	.....	D3/5
D177,178 S *	3/1956	Heyburn	.....	D26/51
D197,081 S *	12/1963	Hackney	.....	D26/93
D261,556 S *	10/1981	O'Reilly	.....	D26/93
D303,579 S *	9/1989	Palumbo	.....	D26/93
D314,835 S *	2/1991	Ebihara	.....	D26/93
D350,623 S *	9/1994	Wang	.....	D26/106
D367,336 S *	2/1996	Hung	.....	D26/93
D399,021 S *	9/1998	Lam	.....	D26/106
D408,579 S *	4/1999	Herring	.....	D26/153

D409,322 S *	5/1999	Yang	.....	D26/107
D459,501 S *	6/2002	Huang	.....	D26/25
D574,990 S *	8/2008	Tsai	.....	D26/107
D613,492 S *	4/2010	van Genugten	.....	D3/5
D657,086 S *	4/2012	Lai	.....	D26/63
D668,812 S *	10/2012	Sprengers	.....	D26/107

(Continued)

**FOREIGN PATENT DOCUMENTS**

EM	006781662-0002	*	9/2019
GB	9006781662-0002	*	8/2019
KR	301061071	*	6/2020

**OTHER PUBLICATIONS**

Le Klint Floor Lamp, Nov. 13, 2017, Facebook.com, site visited Jul. 15, 2022, url: <https://www.facebook.com/leklintlamping/photos/772084019646431> (Year: 2017).\*

(Continued)

*Primary Examiner* — T Chase Nelson  
*Assistant Examiner* — Rachel Wolfe  
(74) *Attorney, Agent, or Firm* — Cantor Colburn LLP

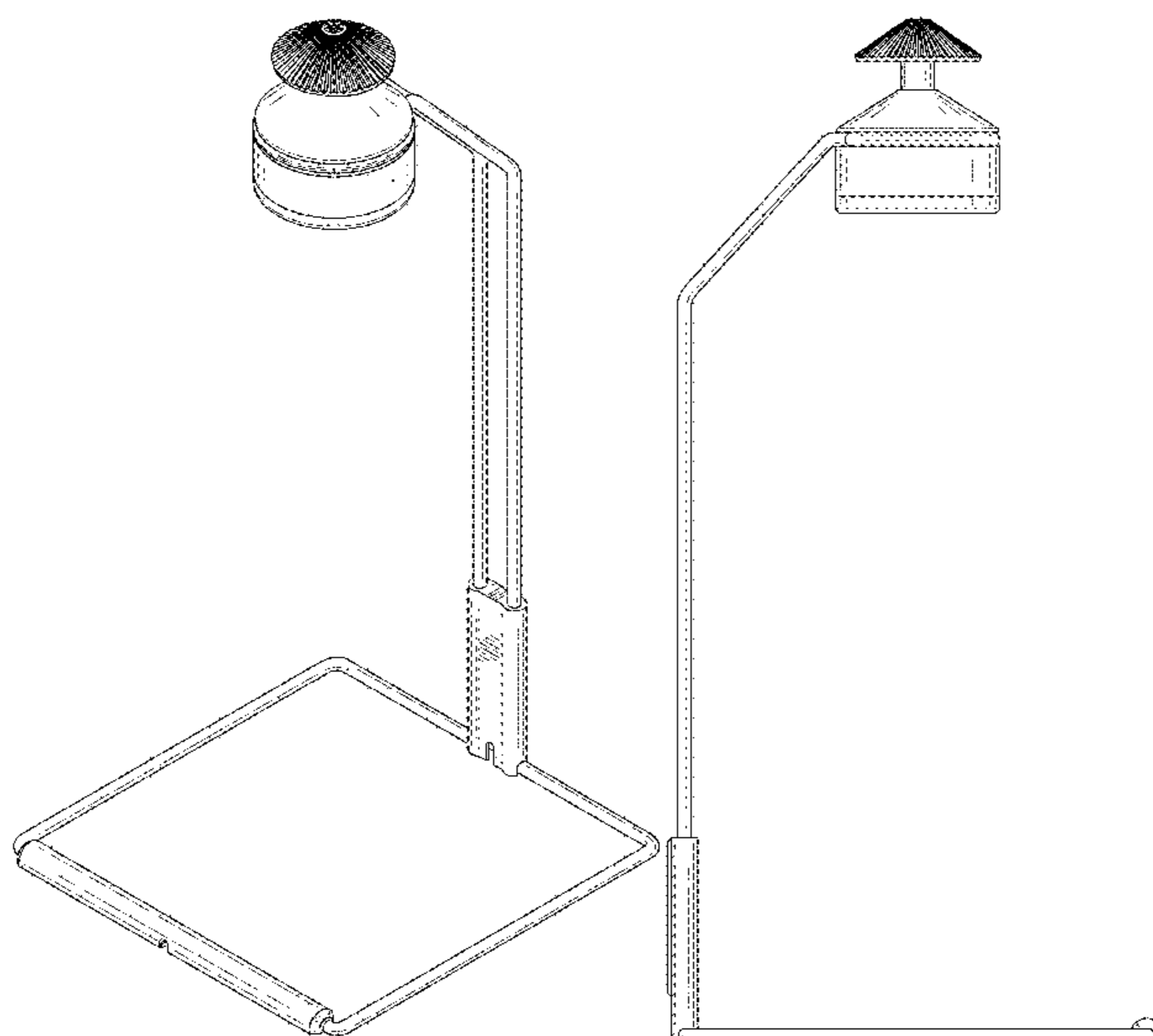
(57) **CLAIM**

I claim, the ornamental design for a lamp, as shown and described.

**DESCRIPTION**

FIG. 1 is a perspective view of a lamp, showing my new design;  
FIG. 2 is a front view thereof;  
FIG. 3 is a rear view thereof;  
FIG. 4 is a side view thereof;  
FIG. 5 is an opposite side view thereof;  
FIG. 6 is a top view thereof; and,  
FIG. 7 is a bottom view thereof.  
The broken lines depict portions of the lamp that form no part of the claimed design.

**1 Claim, 6 Drawing Sheets**



(56)

**References Cited**

U.S. PATENT DOCUMENTS

D749,771 S \* 2/2016 Kern ..... D26/106  
D756,555 S \* 5/2016 Gunawan ..... D26/94  
D801,573 S \* 10/2017 Chehanowaki ..... D26/94  
D854,732 S \* 7/2019 Luo ..... D26/94  
D911,590 S \* 2/2021 Muller ..... D26/110  
D945,049 S \* 3/2022 Hvidt ..... D26/107

OTHER PUBLICATIONS

Le Klint Table or Wall Lamp, Dec. 24, 2018, Facebook.com, site visited Jul. 15, 2022, url: <https://www.facebook.com/leklintliting/photos/1010153079172856> (Year: 2018).\*

Mads Caprani Lamp c. 1970s featured in article, Jul. 24, 2019, Sight Unseen, site visited Jul. 15, 2022, url: <https://www.sightunseen.com/2019/07/it-vintage-lamps-mads-caprani-murano-mushroom-noguchi-polka-dot/> (Year: 2019).\*

Italian Floor Lamp by Rupert Nikoll, 1950s, Pamono.eu, site visited Jul. 15, 2022, url: <https://www.pamono.eu/italian-floor-lamp-with-original-shade-by-rupert-nikoll-1950s> (Year: 2022).\*

\* cited by examiner

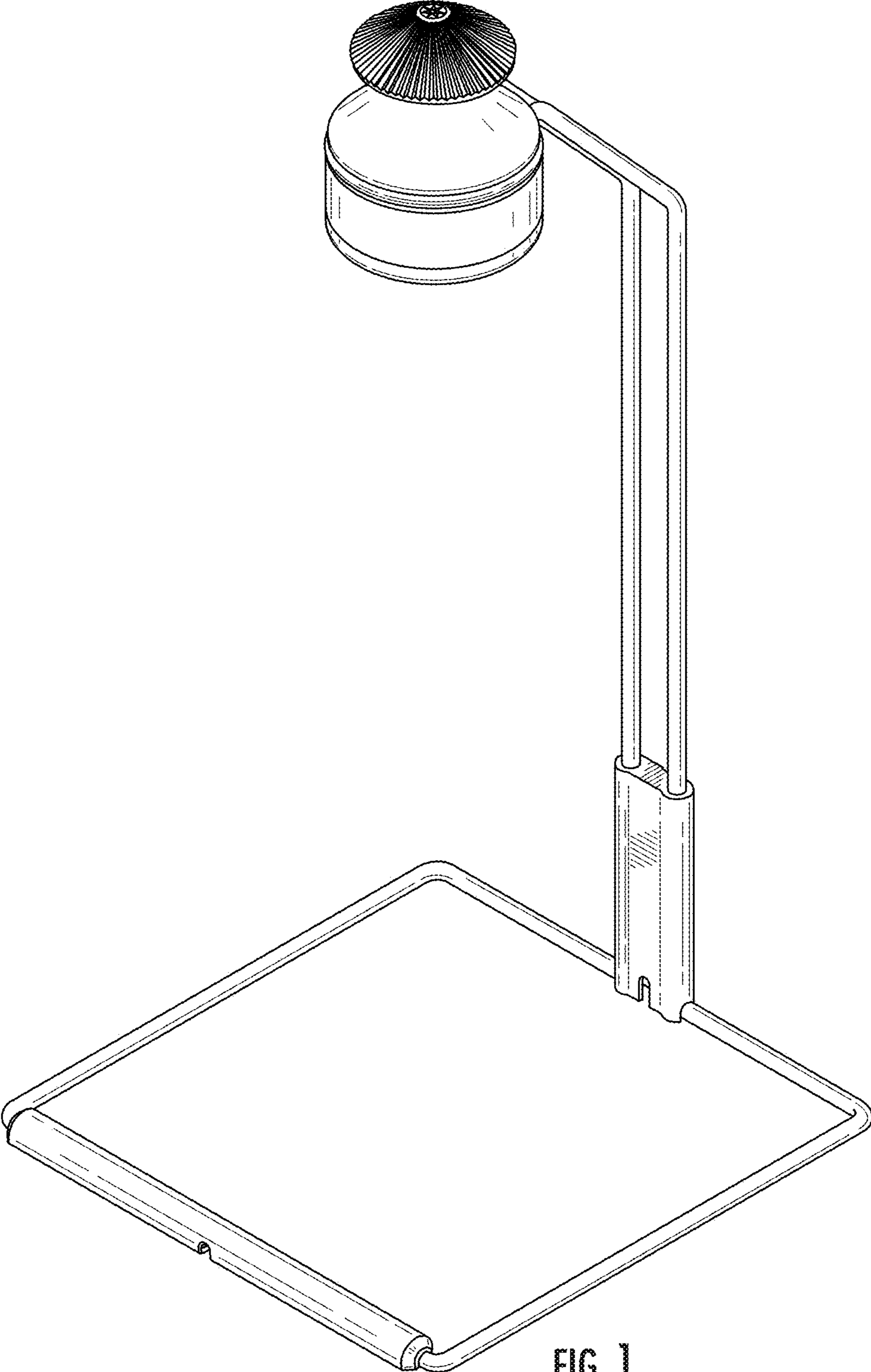


FIG. 1

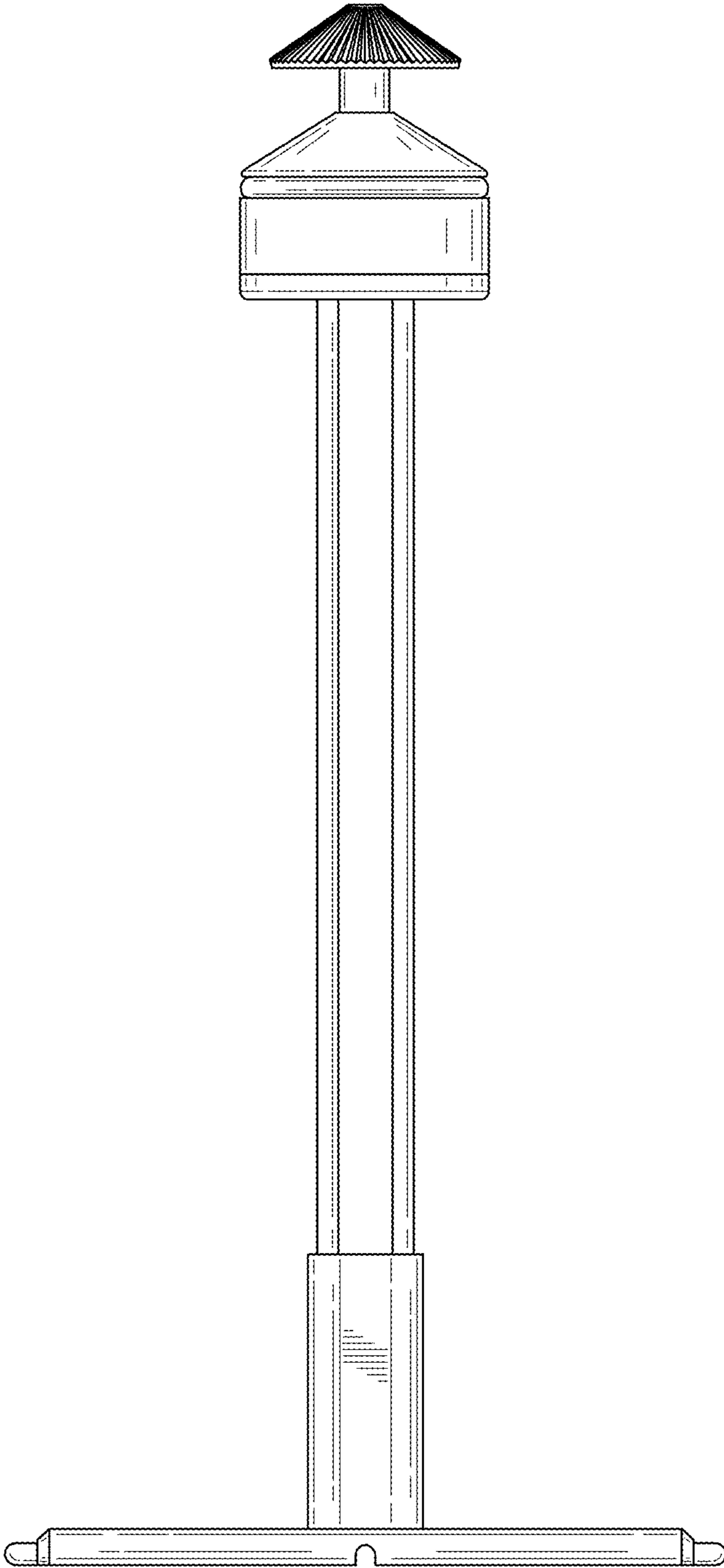


FIG. 2

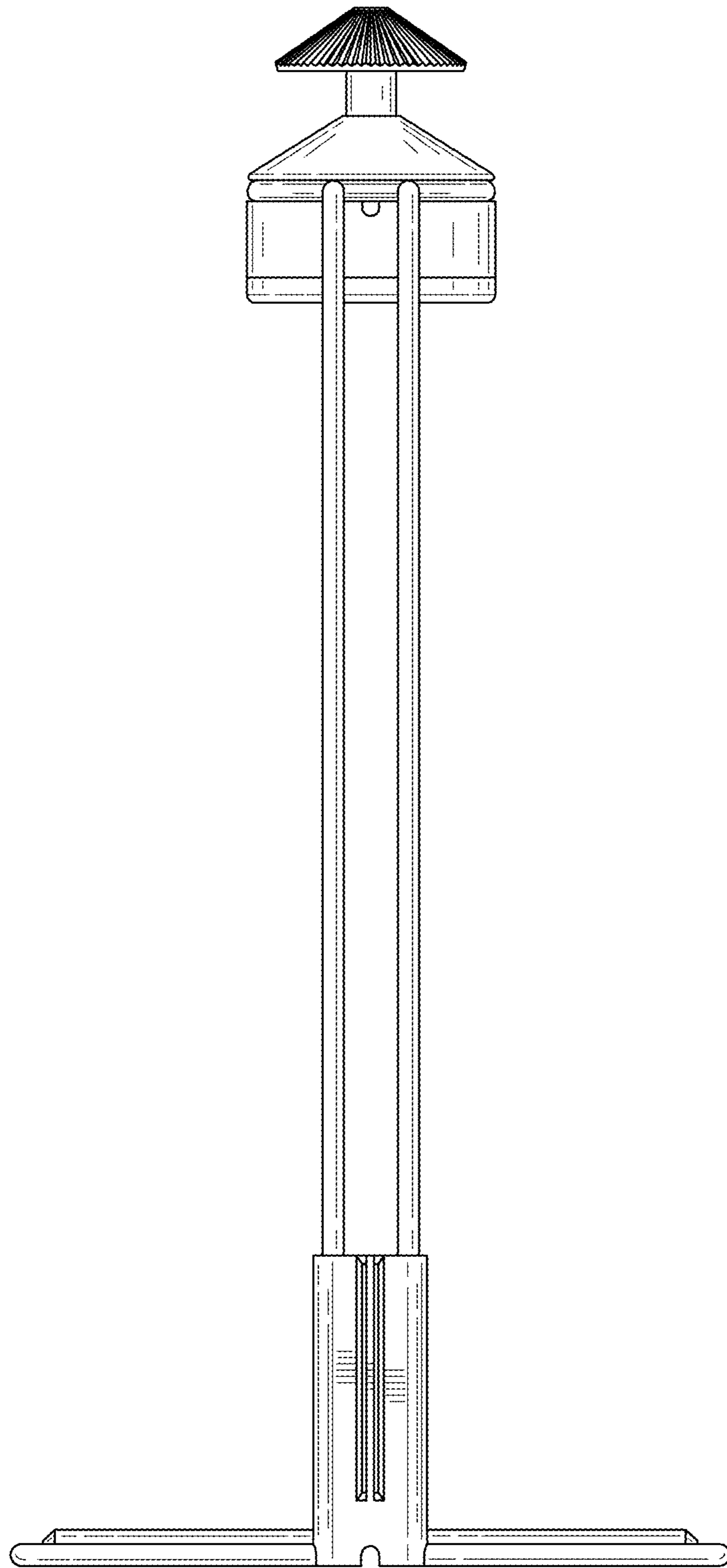


FIG. 3



FIG. 4



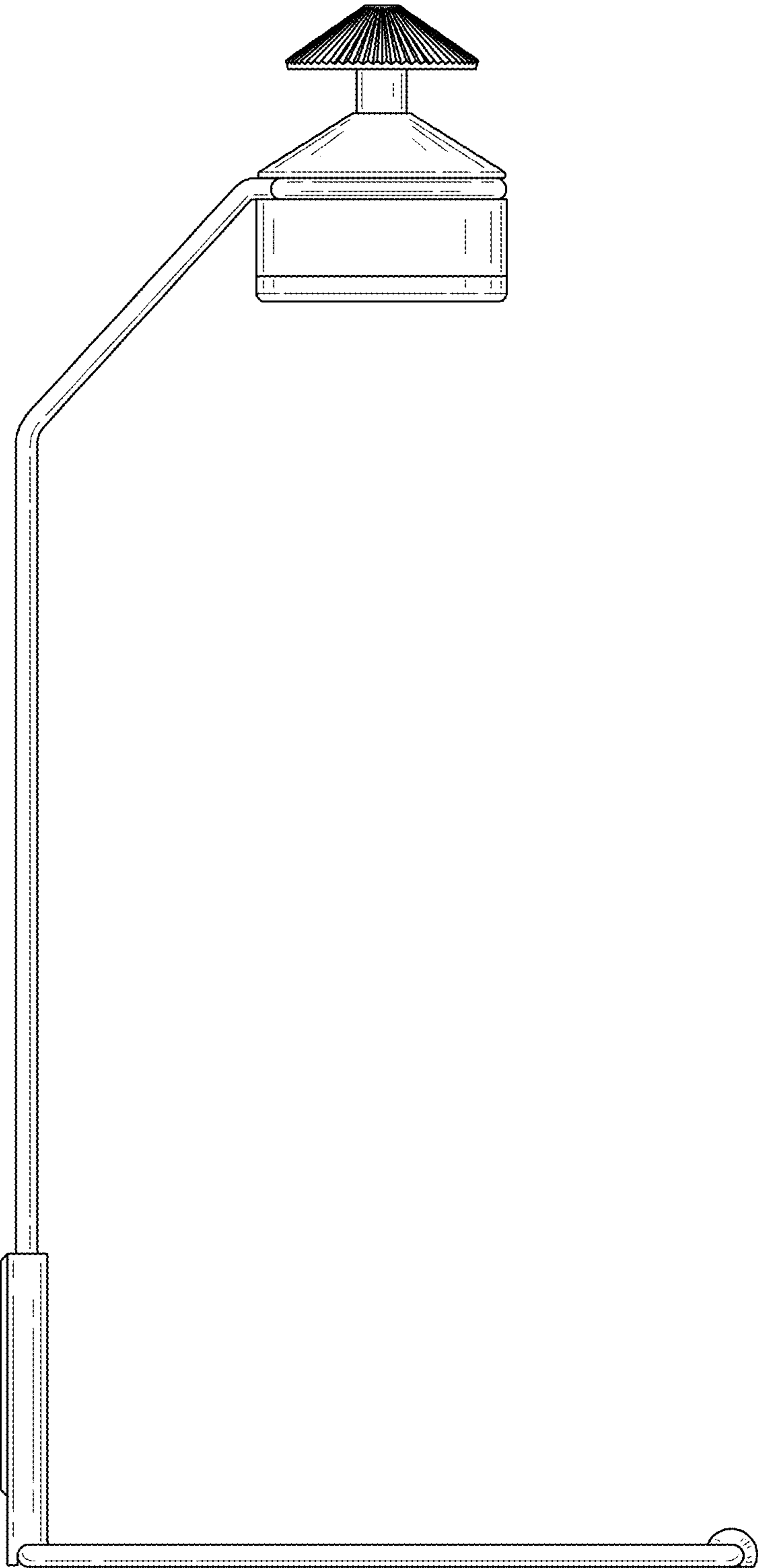


FIG. 5

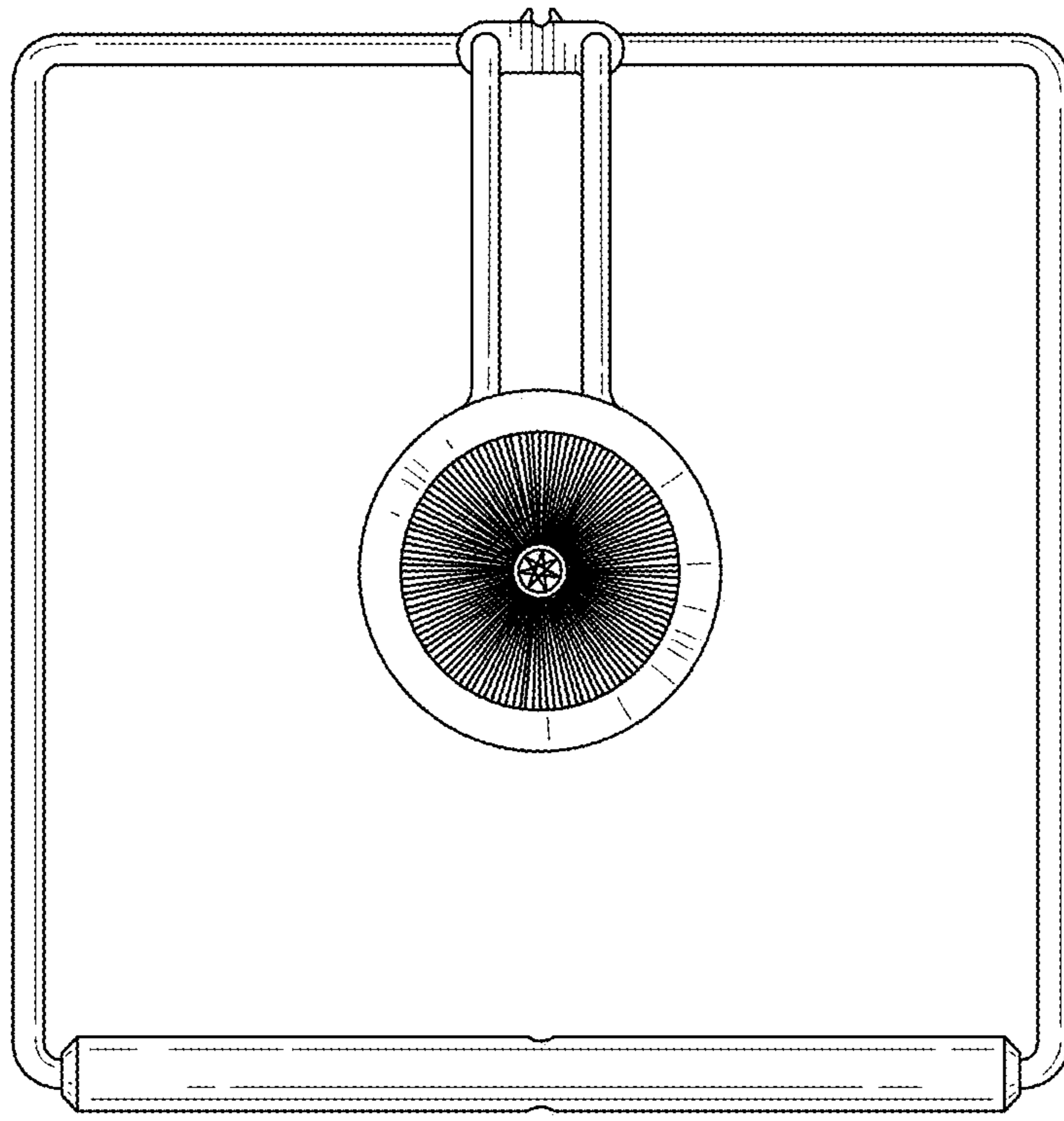


FIG. 6

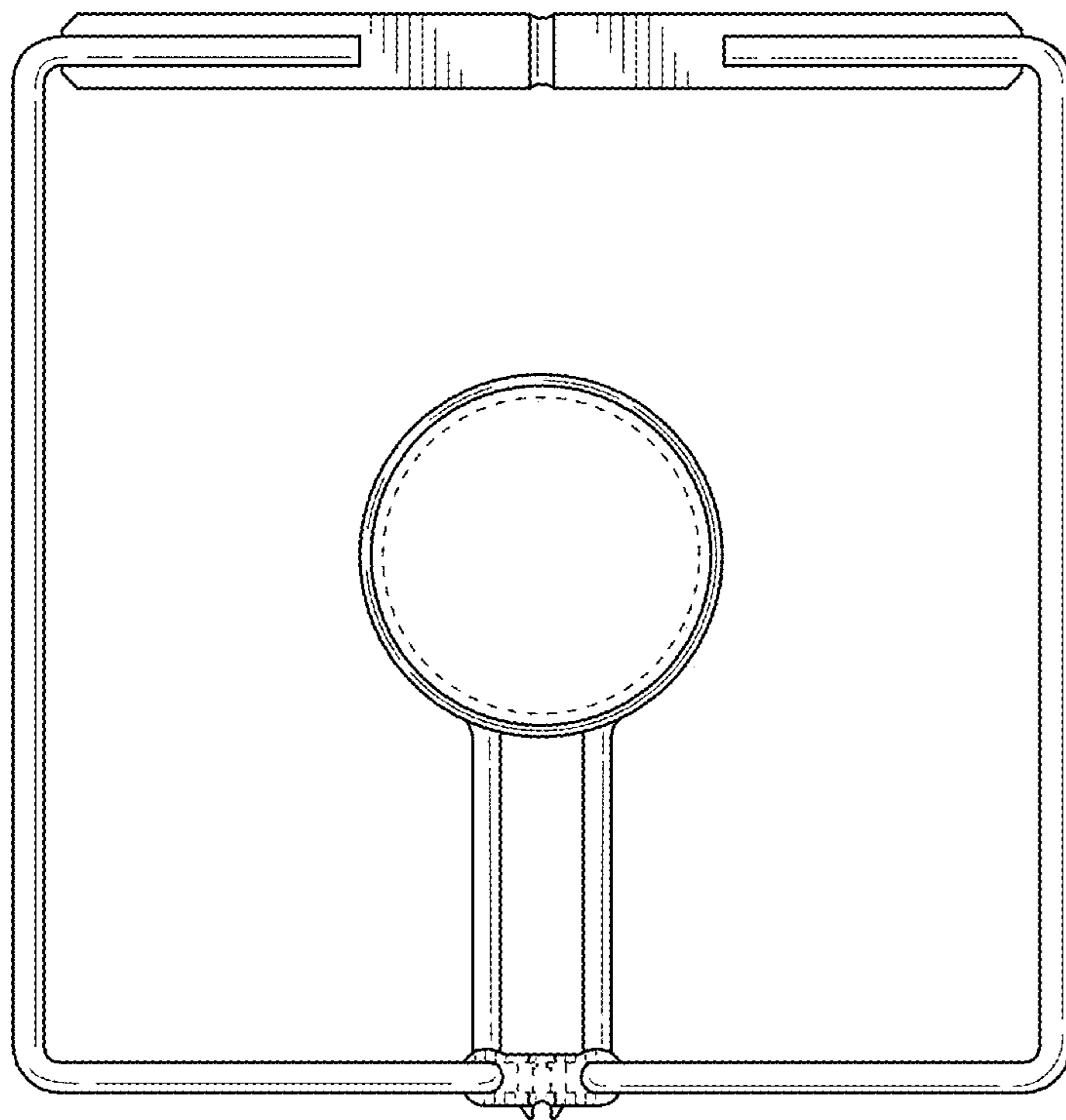


FIG. 7