

US00D967510S

(12) **United States Design Patent** (10) **Patent No.:** **US D967,510 S**
Czech et al. (45) **Date of Patent:** **** Oct. 18, 2022**

(54) **LIGHT FIXTURE WITH RECESSED LENS**

(71) Applicant: **Focal Point, LLC**, Chicago, IL (US)

(72) Inventors: **Ken Czech**, Naperville, IL (US);
Graeme Watt, Bowdon (GB)

(73) Assignee: **Focal Point, LLC**, Chicago, IL (US)

(**) Term: **15 Years**

(21) Appl. No.: **29/681,706**

(22) Filed: **Feb. 27, 2019**

(51) **LOC (13) Cl.** **26-05**

(52) **U.S. Cl.**
USPC **D26/138**

(58) **Field of Classification Search**
USPC D26/72, 74, 76, 78-83, 85, 86, 88, 90,
D26/93, 111, 113, 118-122, 138, 139,
D26/140, 141, 142, 152

CPC F21S 2/00; F21S 4/00; F21S 4/003; F21S
4/005; F21S 4/006; F21S 4/007; F21S
4/008; F21S 6/00; F21S 8/00; F21S
8/024; F21S 8/026; F21S 8/031; F21S
8/033; F21S 8/035-037; F21S 8/04; F21S
8/043; F21S 8/063

See application file for complete search history.

(56) **References Cited**

U.S. PATENT DOCUMENTS

D397,818 S * 9/1998 Herst D26/119
D473,670 S * 4/2003 Kelmelis D26/74
D599,945 S * 9/2009 Pfund D26/76
D621,989 S * 8/2010 Proner D26/76
D629,554 S * 12/2010 Gielen D26/80
D633,244 S * 2/2011 Kramer D26/80
D700,732 S * 3/2014 Clark D26/88
D702,390 S * 4/2014 Clark D26/76

D702,391 S * 4/2014 Clark D26/76
D727,550 S * 4/2015 Clark D26/88
9,121,584 B2 9/2015 Santoro et al.
D877,954 S * 3/2020 Santoro D26/74
D877,955 S * 3/2020 Santoro D26/74
D880,043 S * 3/2020 Guerra D26/76
D910,225 S * 2/2021 Bernard D26/76
D912,879 S * 3/2021 Hu D26/85
D915,631 S * 4/2021 Patterson D25/138
D915,632 S * 4/2021 Patterson D25/138
D915,633 S * 4/2021 Patterson D25/138
D916,348 S * 4/2021 Clark D26/72
D943,798 S * 2/2022 Santos D26/90
2022/0090745 A1 * 3/2022 Czech F21V 11/16

* cited by examiner

Primary Examiner — Natasha Vujcic

(74) *Attorney, Agent, or Firm* — Greenberg Traurig, LLP

(57) **CLAIM**

The ornamental design for a light fixture with recessed lens,
as shown and described.

DESCRIPTION

FIG. 1 is a top perspective view of a light fixture with
recessed lens;

FIG. 2. is bottom perspective view thereof;

FIG. 3. is an elevated front view thereof;

FIG. 4. is an elevated back view thereof;

FIG. 5. is a top plan view thereof;

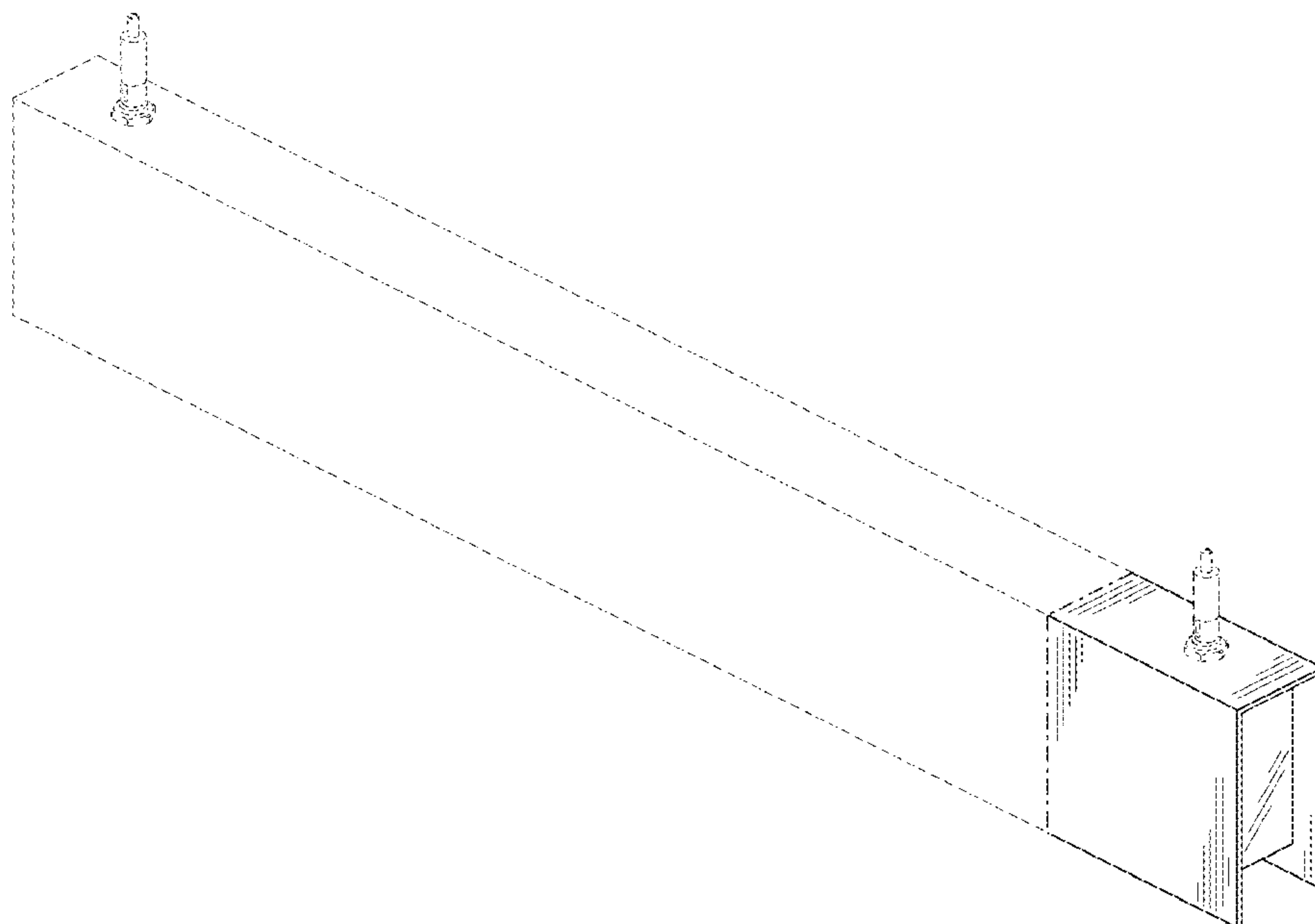
FIG. 6. is a bottom plan view thereof;

FIG. 7. is an elevated right side view thereof; and,

FIG. 8. is an elevated left side view thereof.

The broken lines in the drawings depict environmental
features of the light fixture that form no part of the claimed
design. The shade lines in the figures show contour and not
surface ornamentation. The oblique shade lines indicate
surfaces that are at least translucent and may be transparent.

1 Claim, 5 Drawing Sheets



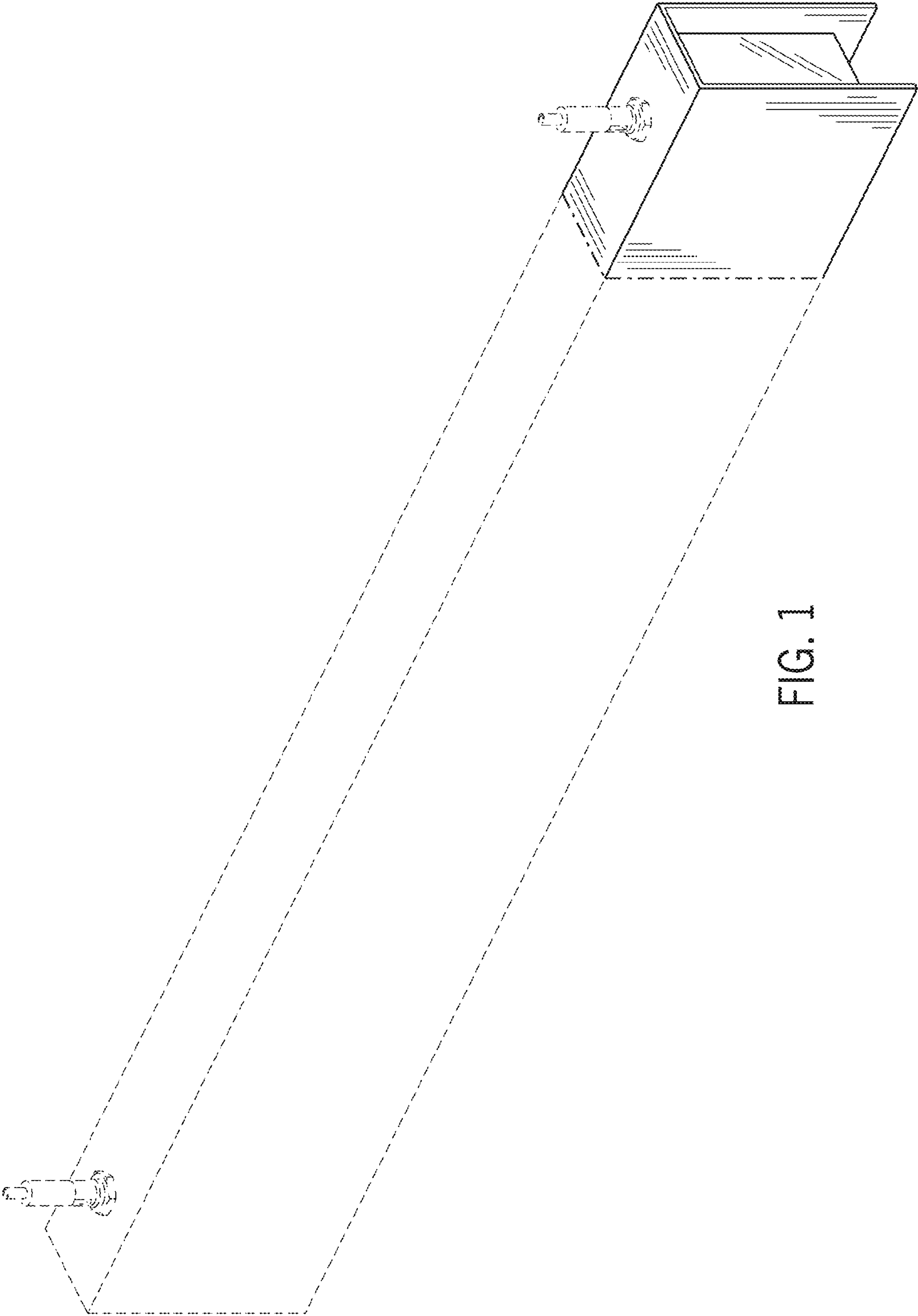


FIG. 1

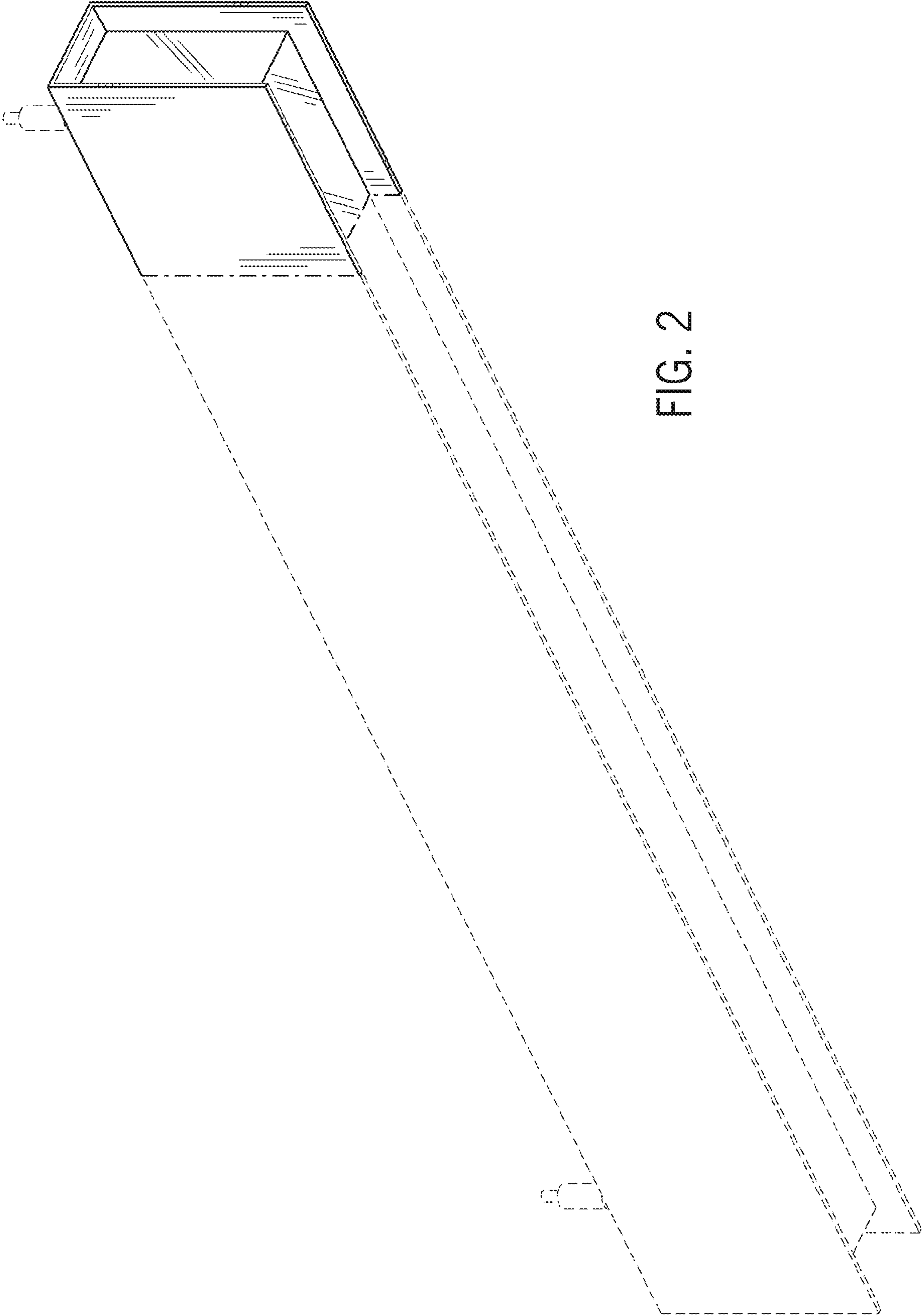


FIG. 2

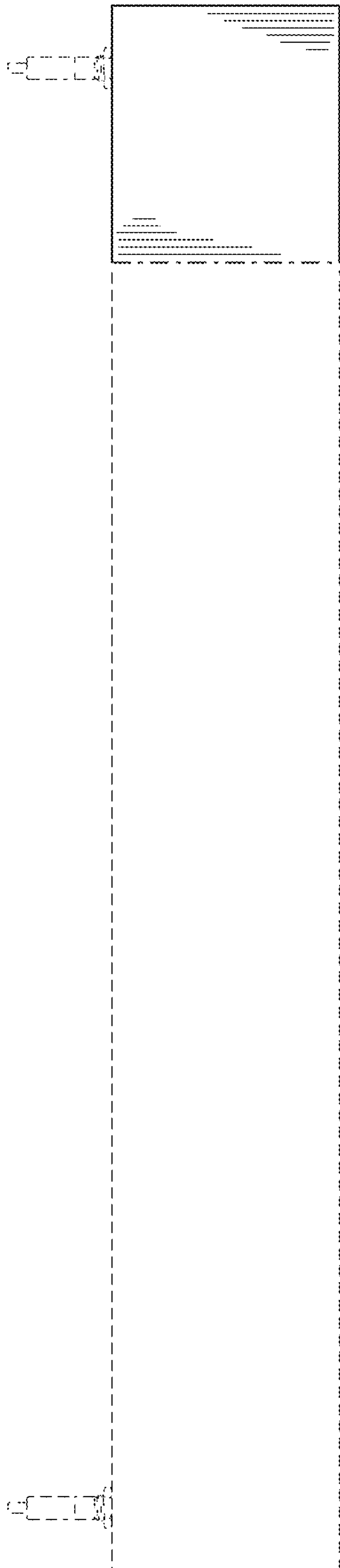


FIG. 3

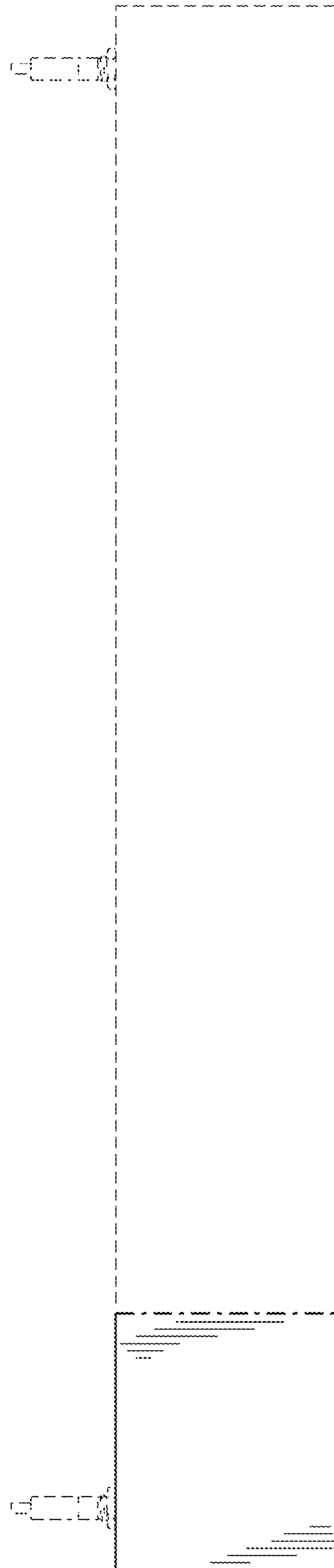


FIG. 4



FIG. 5

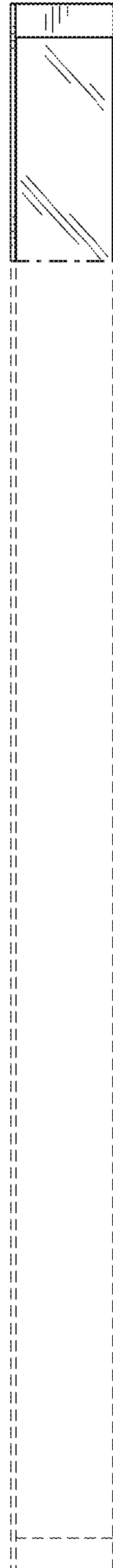


FIG. 6

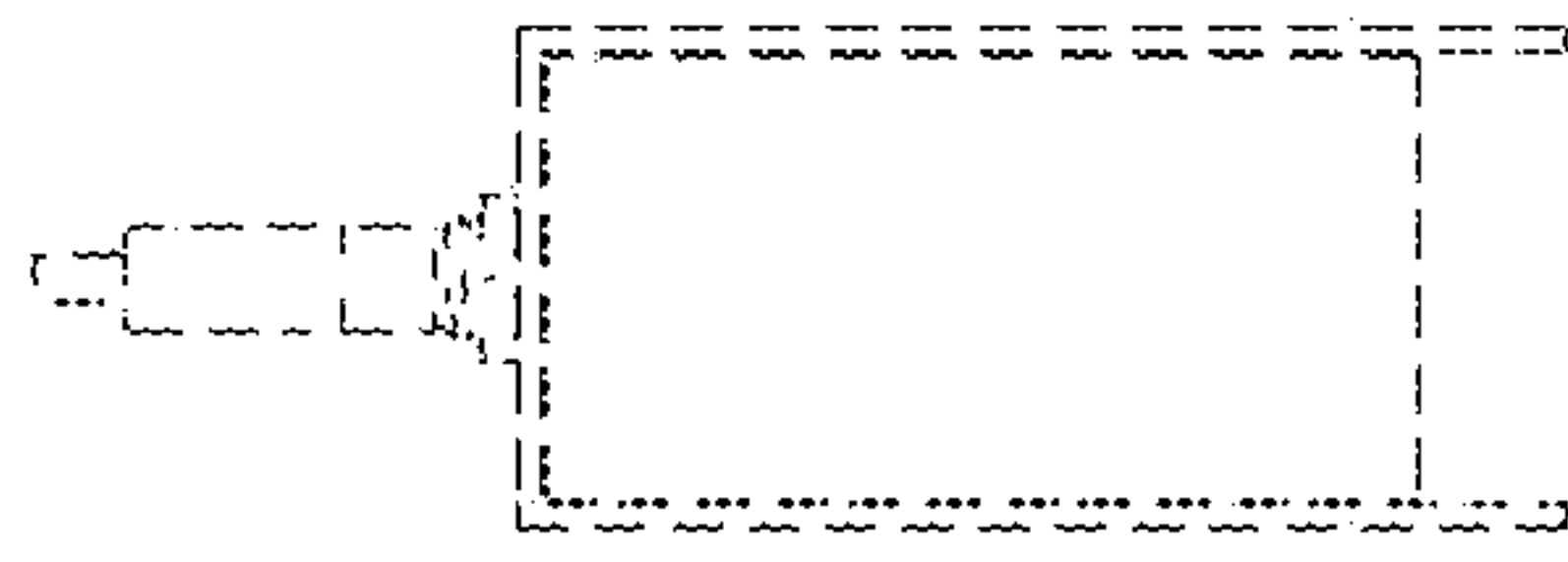


FIG. 8

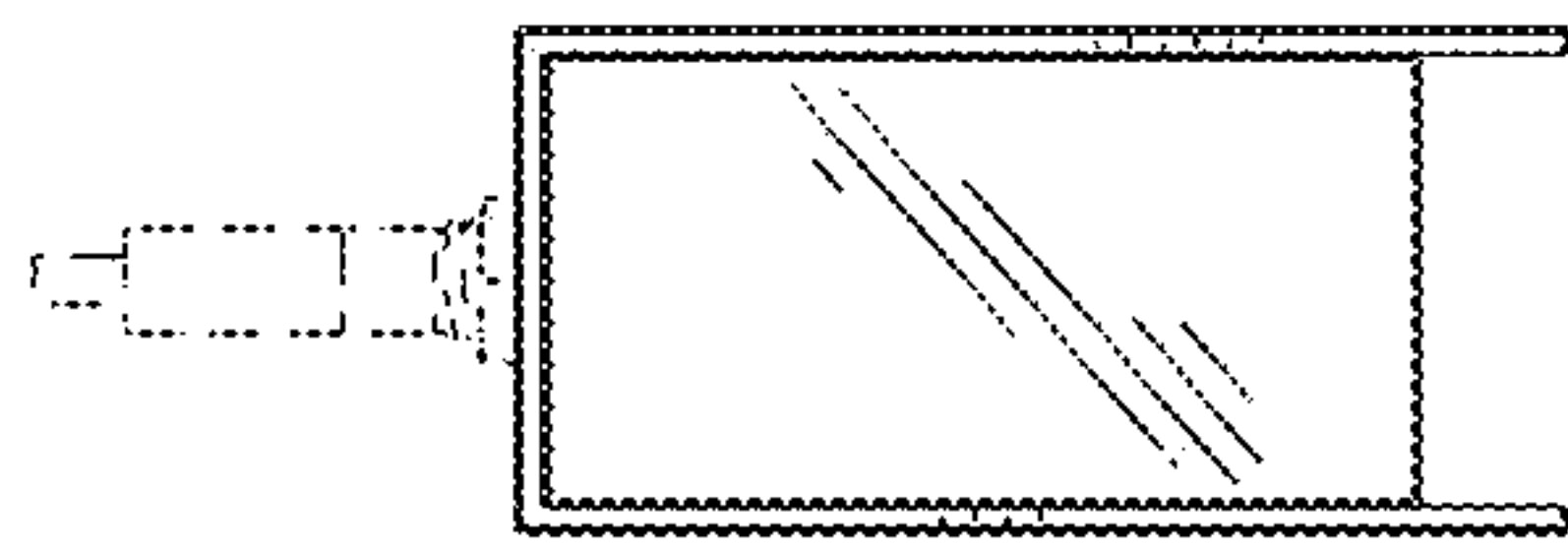


FIG. 7