



US00D967508S

(12) **United States Design Patent**
Czech et al.

(10) **Patent No.:** **US D967,508 S**
(45) **Date of Patent:** **** Oct. 18, 2022**

- (54) **LIGHT FIXTURE WITH FLUSH LENS**
- (71) Applicant: **Focal Point, LLC**, Chicago, IL (US)
- (72) Inventors: **Ken Czech**, Naperville, IL (US);
Graeme Watt, Bowdon (GB)
- (73) Assignee: **Focal Point, LLC**, Chicago, IL (US)
- (**) Term: **15 Years**
- (21) Appl. No.: **29/681,654**
- (22) Filed: **Feb. 27, 2019**
- (51) **LOC (13) Cl.** **26-05**
- (52) **U.S. Cl.**
USPC **D26/138**
- (58) **Field of Classification Search**
USPC D26/72, 74, 76, 78-83, 85, 86, 88, 90,
D26/93, 111, 113, 118-122, 138, 139,
D26/140, 141, 142, 152
(Continued)

(56) **References Cited**

U.S. PATENT DOCUMENTS

- D397,818 S * 9/1998 Herst D26/119
 - D473,670 S * 4/2003 Kelmelis D26/74
- (Continued)

OTHER PUBLICATIONS

Quintetta Linear Glow, amerlux, Passion. Power. Performance., LIT-2064, Dec. 22, 2016, 7 pgs.

Primary Examiner — Natasha Vujcic

(74) *Attorney, Agent, or Firm* — Greenberg Traurig, LLP

(57) **CLAIM**

The ornamental design for a light fixture with flush lens, as shown and described.

DESCRIPTION

FIG. 1 is a top perspective view of a first embodiment of a light fixture with flush lens.

FIG. 2. is bottom perspective view of the first embodiment of FIG. 1;
 FIG. 3. is an elevated front view of the first embodiment of FIG. 1;
 FIG. 4. is an elevated back view of the first embodiment of FIG. 1;
 FIG. 5. is a top plan view of the first embodiment of FIG. 1;
 FIG. 6. is a bottom plan view of the first embodiment of FIG. 1;
 FIG. 7. is an elevated right side view of the first embodiment of FIG. 1;
 FIG. 8. is an elevated left side view of the first embodiment of FIG. 1;
 FIG. 9. is a top perspective view of a second embodiment of a light fixture;
 FIG. 10. is a bottom perspective view of the second embodiment of FIG. 9;
 FIG. 11. is an elevated front view of the second embodiment of FIG. 9;
 FIG. 12. is an elevated back view of the second embodiment of FIG. 9;
 FIG. 13. is a top plan view of the second embodiment of FIG. 9;
 FIG. 14. is a bottom plan view of the second embodiment of FIG. 9;
 FIG. 15. is an elevated right side view of the second embodiment of FIG. 9;
 FIG. 16. is an elevated left side view of the second embodiment of FIG. 9;
 FIG. 17. is a top perspective view of a third embodiment of a light fixture;
 FIG. 18. is a bottom perspective view of the third embodiment of FIG. 17;
 FIG. 19. is an elevated front view of the third embodiment of FIG. 17;
 FIG. 20. is an elevated back view of the third embodiment of FIG. 17;
 FIG. 21. is a top plan view of the third embodiment of FIG. 17;
 FIG. 22. is a bottom plan view of the third embodiment of FIG. 17;
 FIG. 23. is an elevated right side view of the third embodiment of FIG. 17;

(Continued)

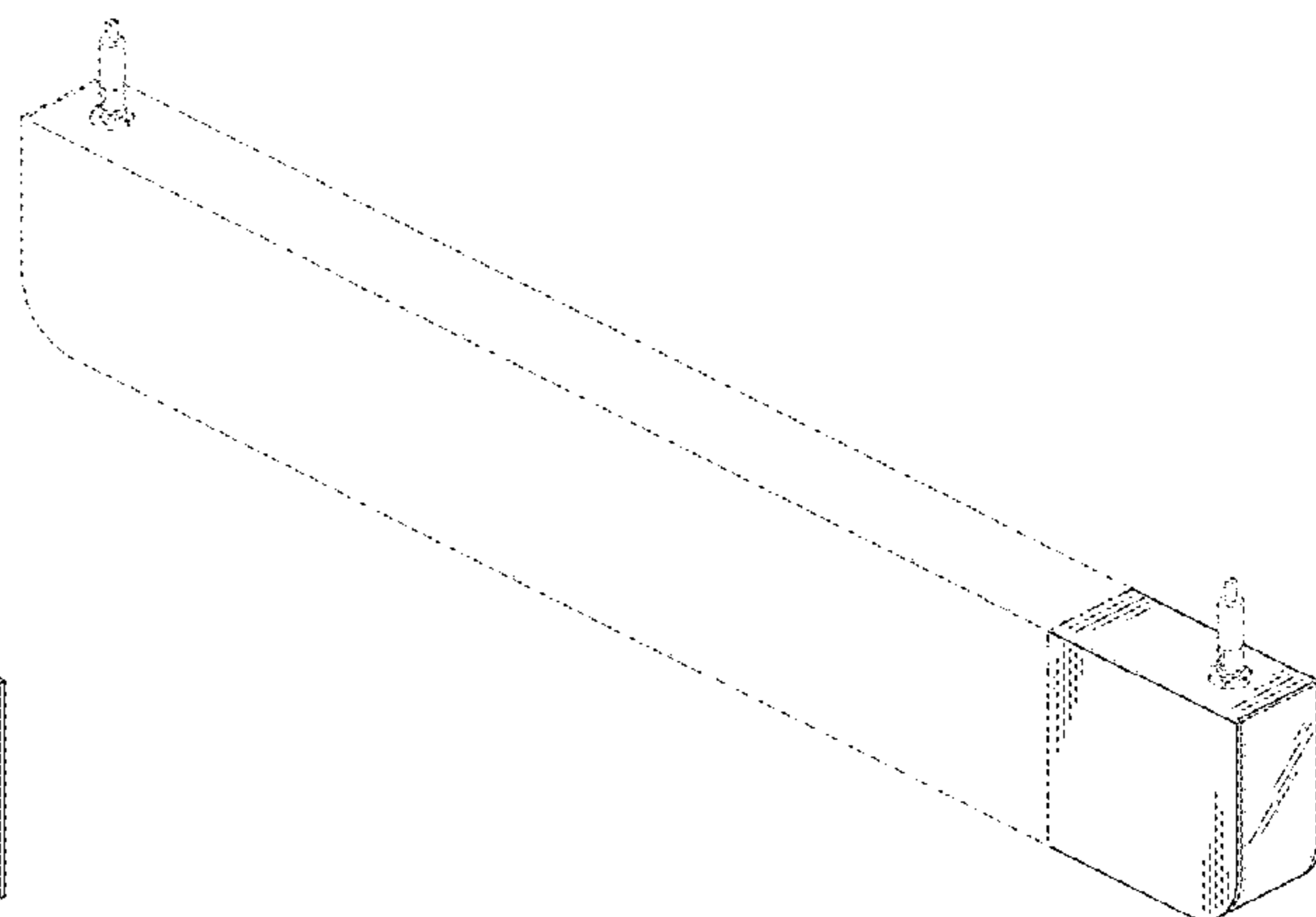
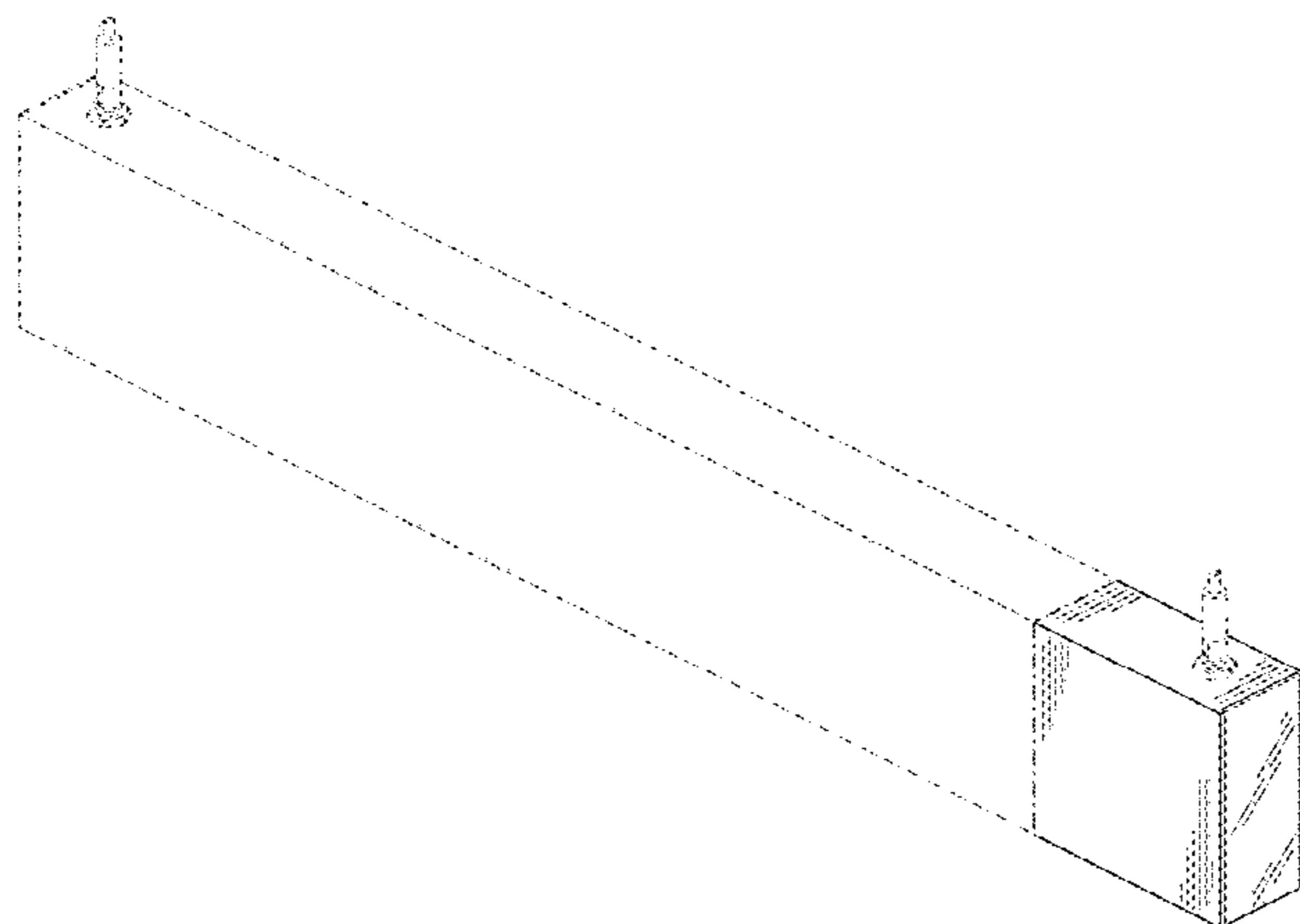


FIG. 24. is an elevated left side view of the third embodiment of FIG. 17;
 FIG. 25. is a top perspective view of a fourth embodiment of a light fixture;
 FIG. 26. is a bottom perspective view of the fourth embodiment of FIG. 25;
 FIG. 27. is an elevated front view of the fourth embodiment of FIG. 25;
 FIG. 28. is an elevated back view of the fourth embodiment of FIG. 25;
 FIG. 29. is a top plan view of the fourth embodiment of FIG. 25;
 FIG. 30. is a bottom plan view of the fourth embodiment of FIG. 25;
 FIG. 31. is an elevated right side view of the fourth embodiment of FIG. 25;
 FIG. 32. is an elevated left side view of the fourth embodiment of FIG. 25;
 FIG. 33. is a top perspective view of a fifth embodiment of a light fixture;
 FIG. 34. is a bottom perspective view of the fifth embodiment of FIG. 33;
 FIG. 35. is an elevated front view of the fifth embodiment of FIG. 33;
 FIG. 36. is an elevated back view of the fifth embodiment of FIG. 33;
 FIG. 37. is a top plan view of the fifth embodiment of FIG. 33;
 FIG. 38. is a bottom plan view of the fifth embodiment of FIG. 33;
 FIG. 39. is an elevated right side view of the fifth embodiment of FIG. 33; and,
 FIG. 40. is an elevated left side view of the fifth embodiment of FIG. 33.

The broken lines in the drawings depict environmental features of the light fixture that form no part of the claimed design. The shade lines in the figures show contour and not

surface ornamentation. The oblique shade lines indicate surfaces that are at least translucent and may be transparent.

1 Claim, 25 Drawing Sheets

(58) **Field of Classification Search**

CPC F21S 2/00; F21S 4/00; F21S 4/003; F21S 4/005; F21S 4/006; F21S 4/007; F21S 4/008; F21S 6/00; F21S 8/00; F21S 8/024; F21S 8/026; F21S 8/031; F21S 8/033; F21S 8/035-037; F21S 8/04; F21S 8/043; F21S 8/063

See application file for complete search history.

(56) **References Cited**

U.S. PATENT DOCUMENTS

D599,945	S *	9/2009	Pfund	D26/76
D621,989	S *	8/2010	Proner	D26/76
D629,554	S *	12/2010	Gielen	D26/80
D633,244	S *	2/2011	Kramer	D26/80
D700,732	S *	3/2014	Clark	D26/88
D702,390	S *	4/2014	Clark	D26/76
D702,391	S *	4/2014	Clark	D26/76
D727,550	S *	4/2015	Clark	D26/88
9,121,584	B2	9/2015	Santoro et al.	
D877,954	S *	3/2020	Santoro	D26/74
D877,955	S *	3/2020	Santoro	D26/74
D880,043	S *	3/2020	Guerra	D26/76
D910,225	S *	2/2021	Bernard	D26/76
D912,879	S *	3/2021	Hu	D26/85
D915,631	S *	4/2021	Patterson	D25/138
D915,632	S *	4/2021	Patterson	D25/138
D915,633	S *	4/2021	Patterson	D25/138
D916,348	S *	4/2021	Clark	D26/72
D943,798	S *	2/2022	Santos	D26/90
2022/0090745	A1 *	3/2022	Czech	F21V 11/16

* cited by examiner

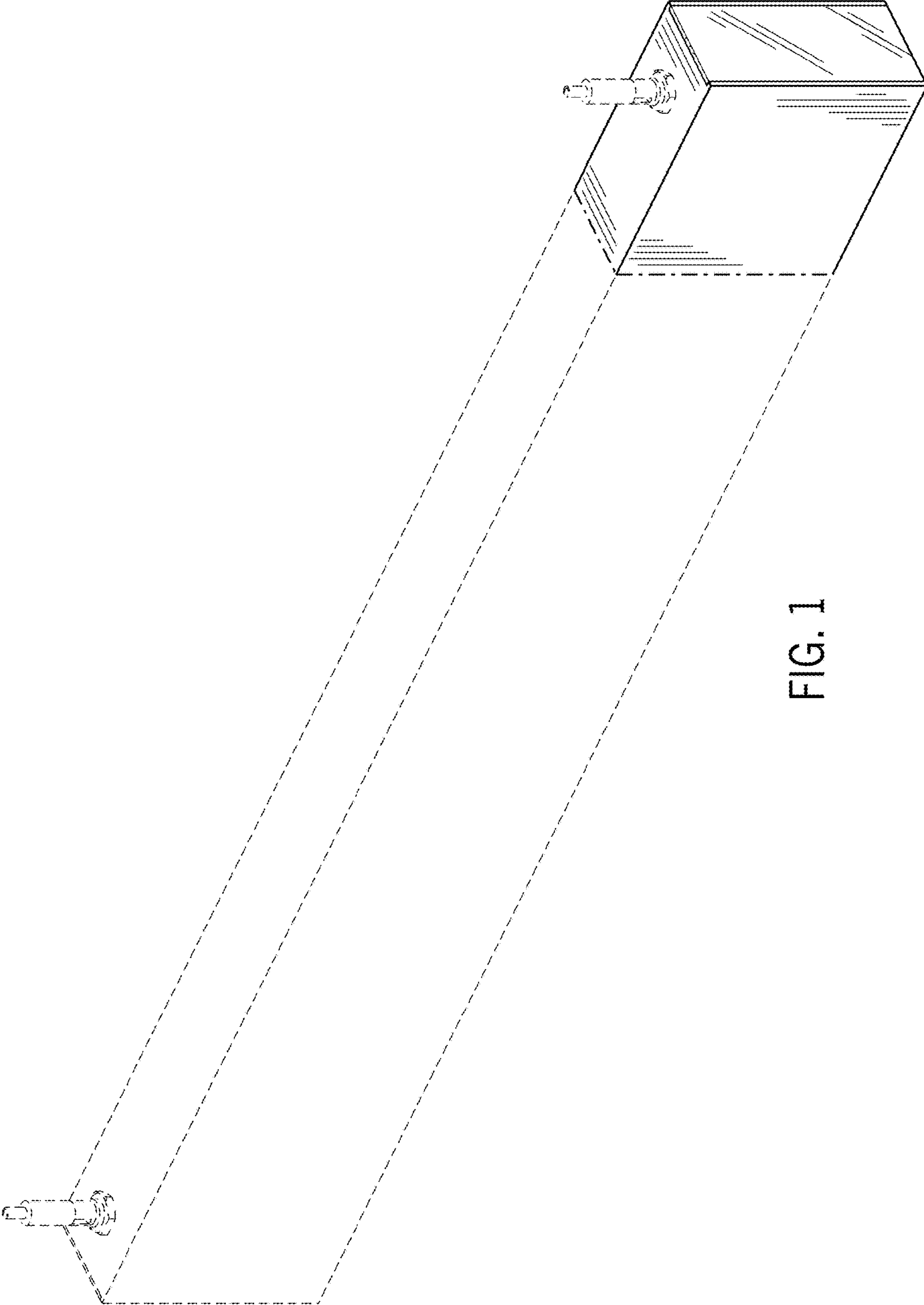


FIG. 1

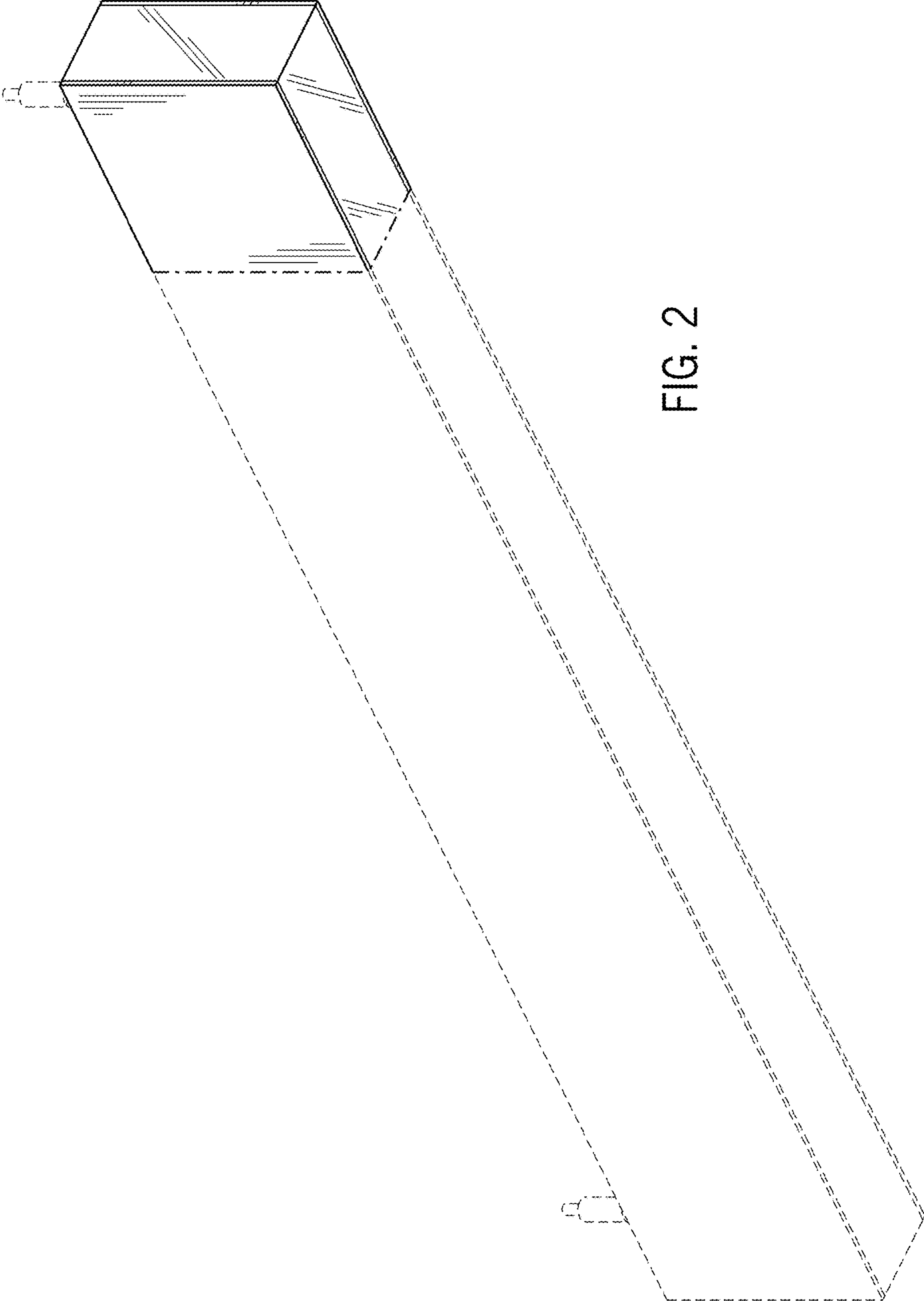


FIG. 2

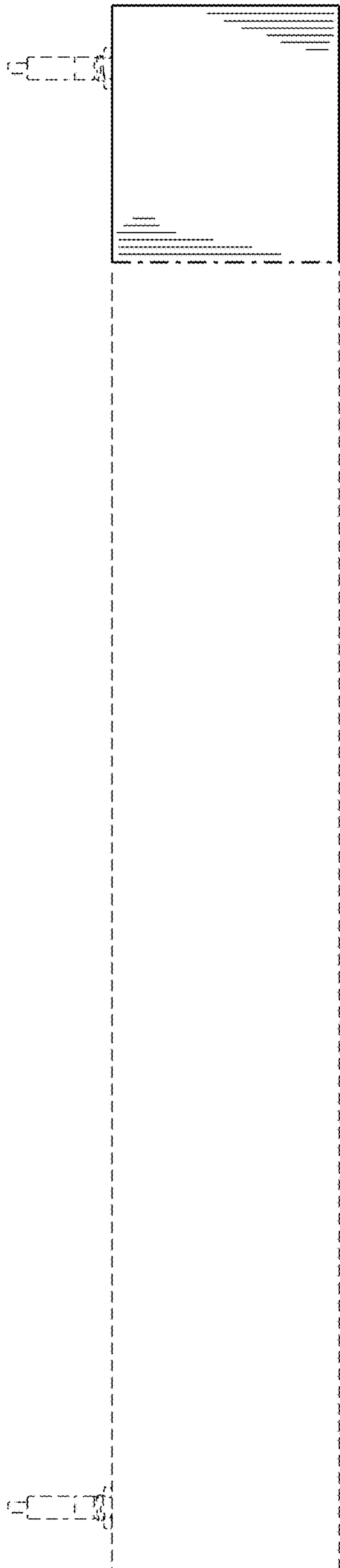


FIG. 3

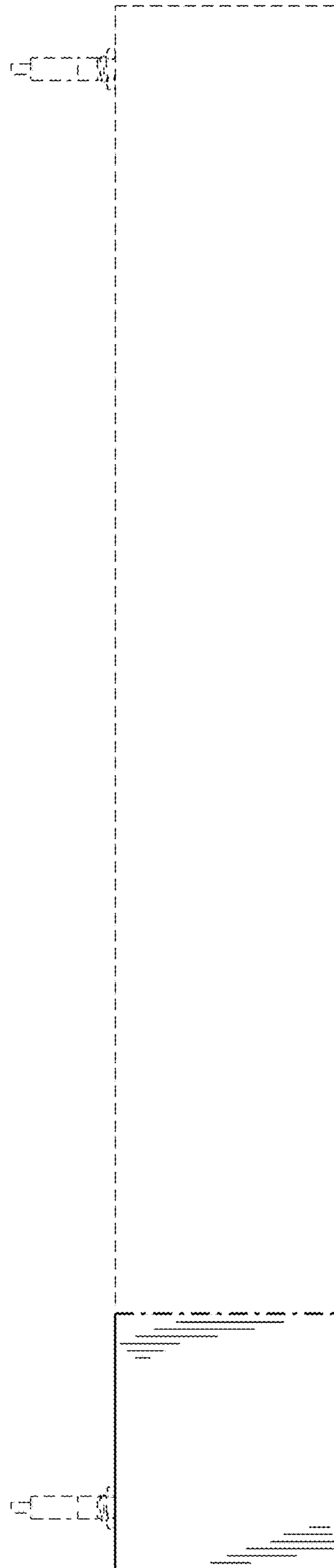


FIG. 4

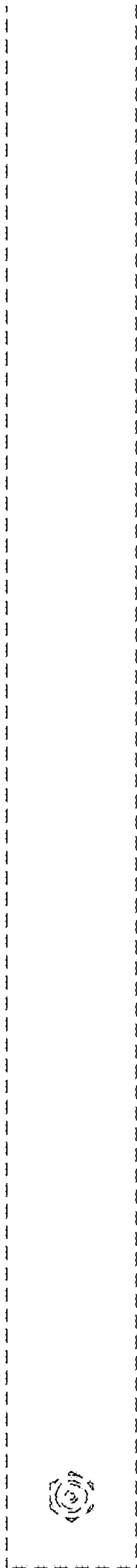
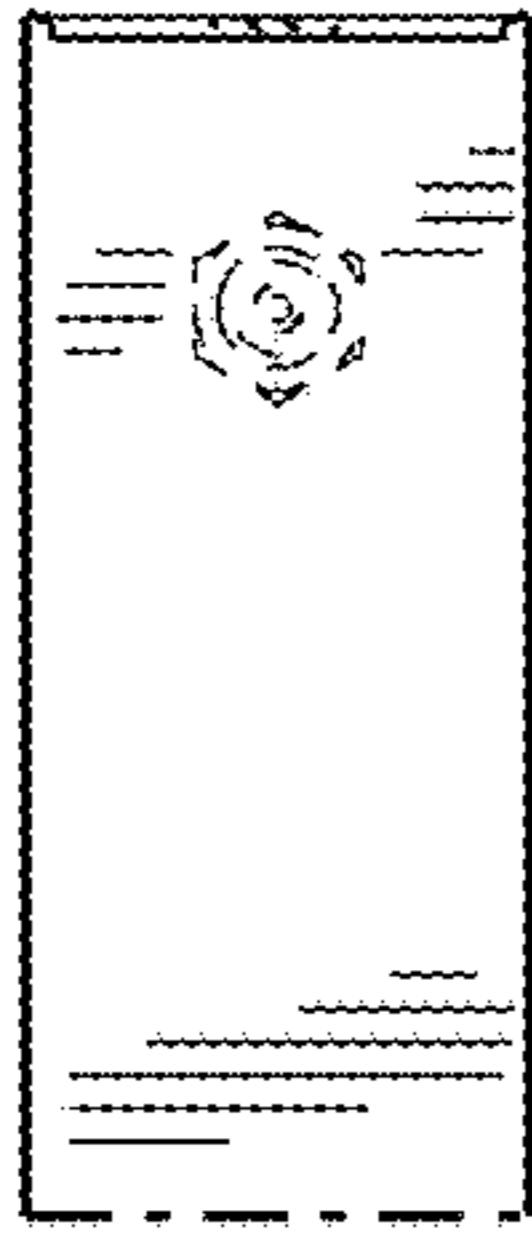


FIG. 5

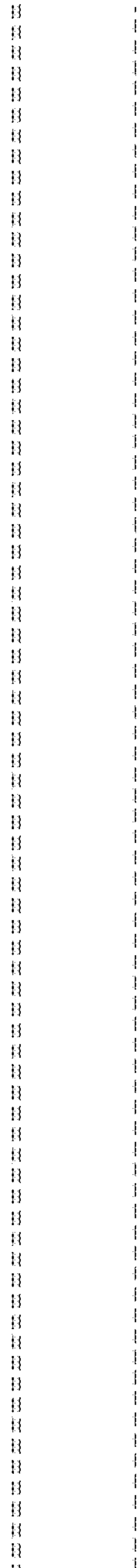
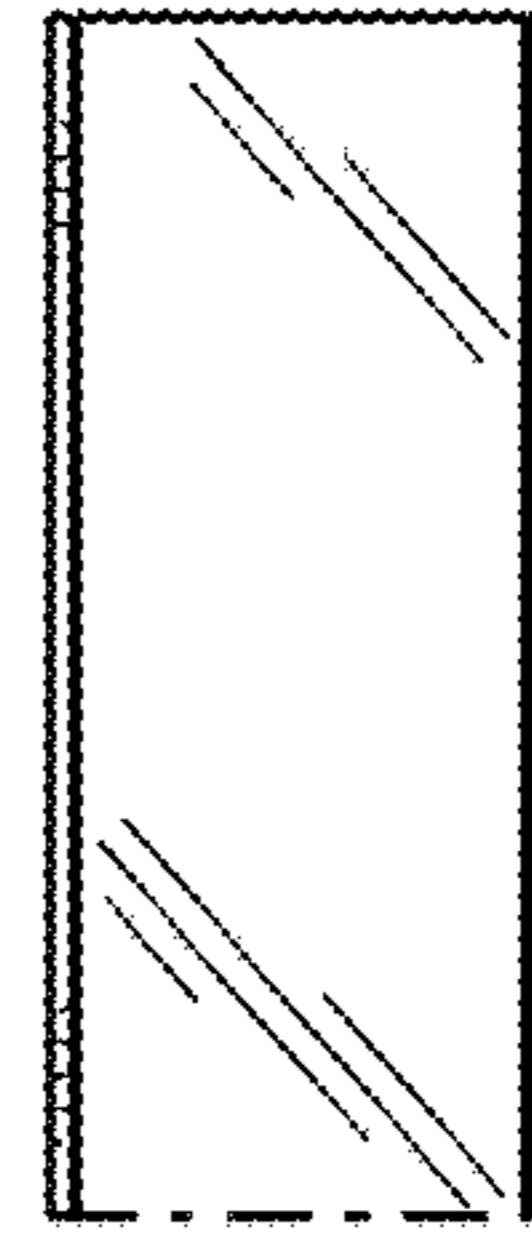


FIG. 6



FIG. 8

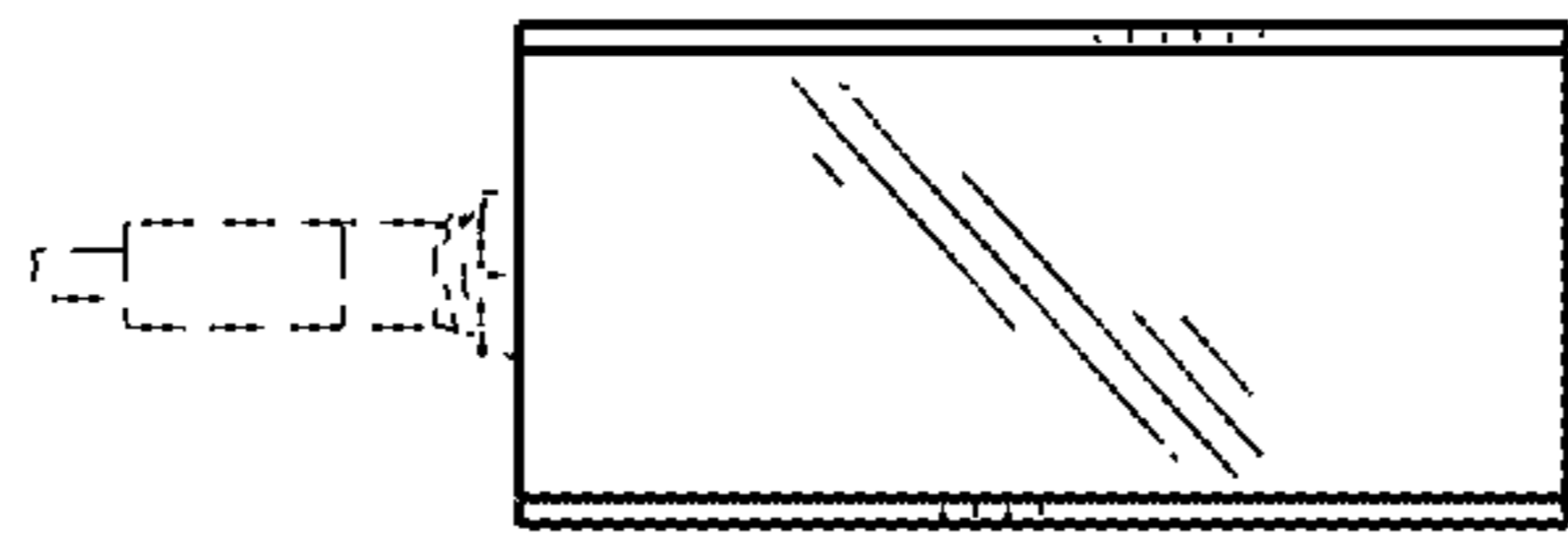


FIG. 7

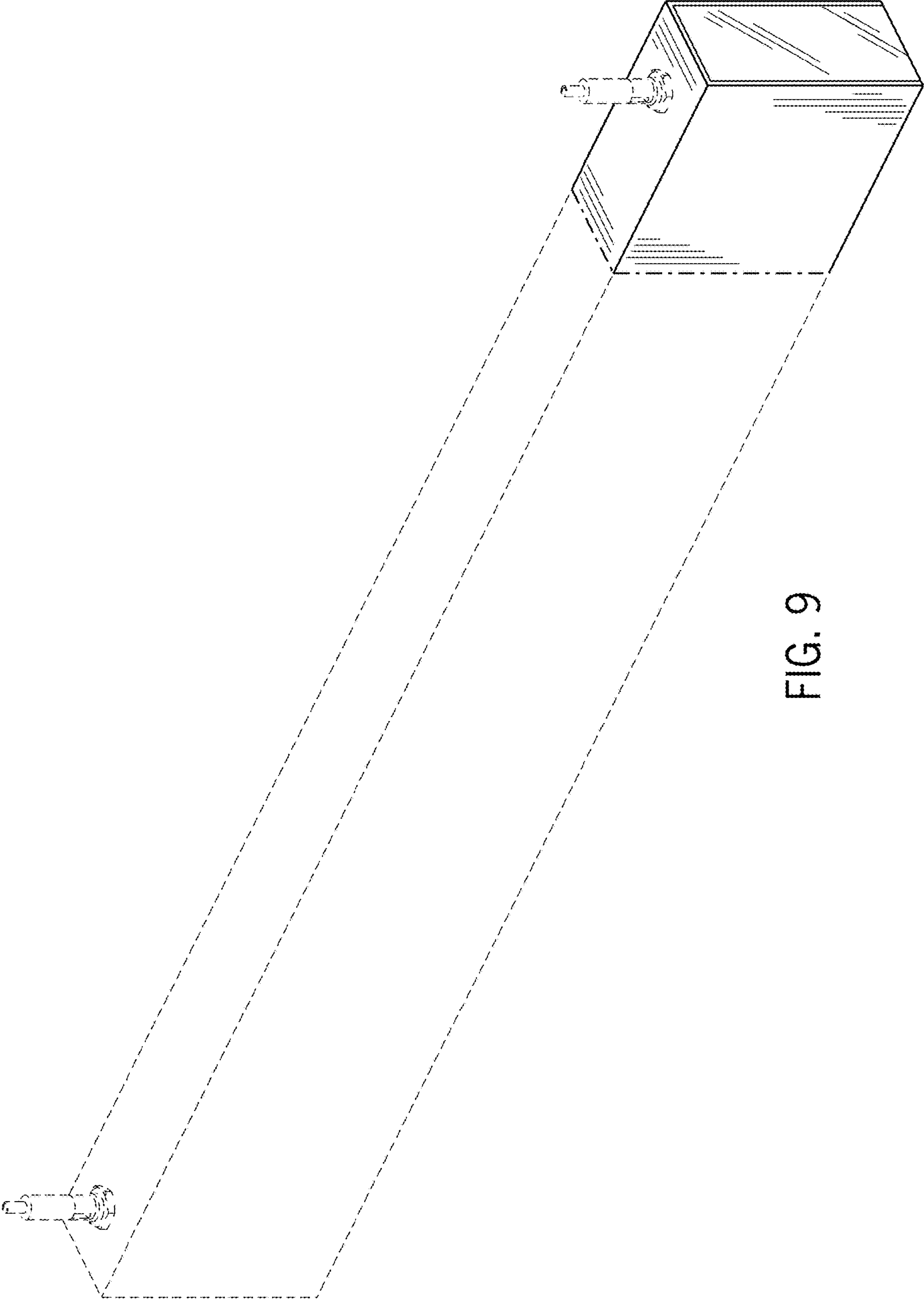
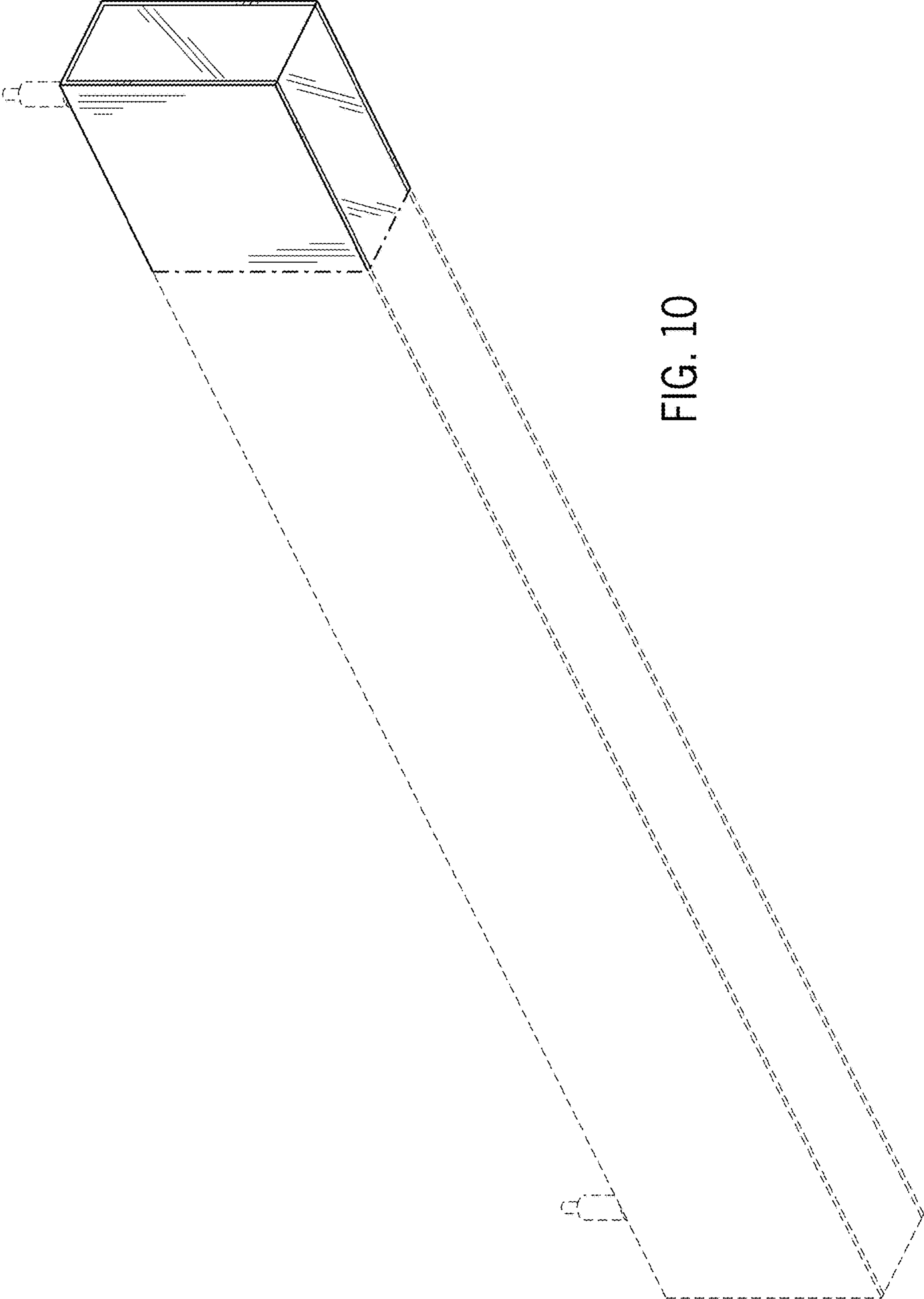


FIG. 9



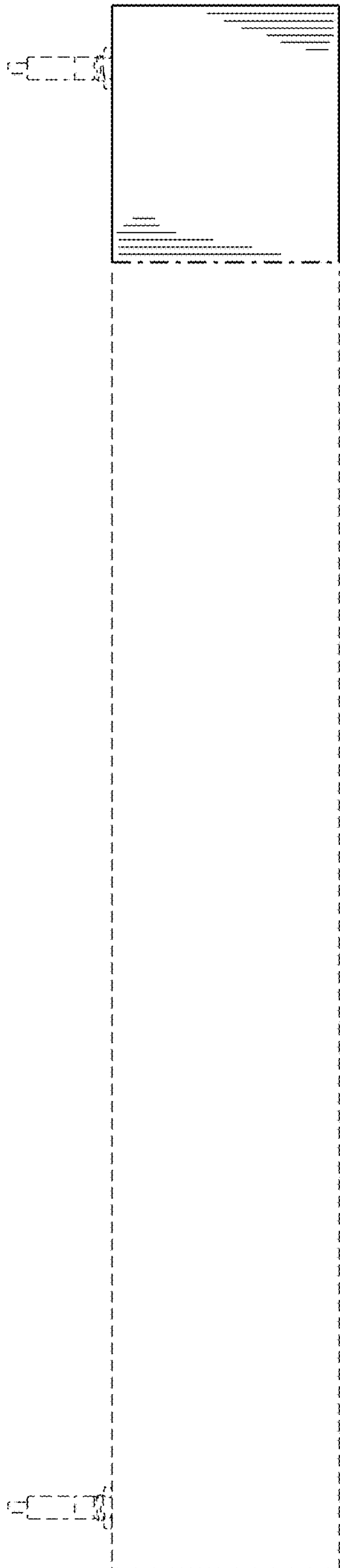


FIG. 11

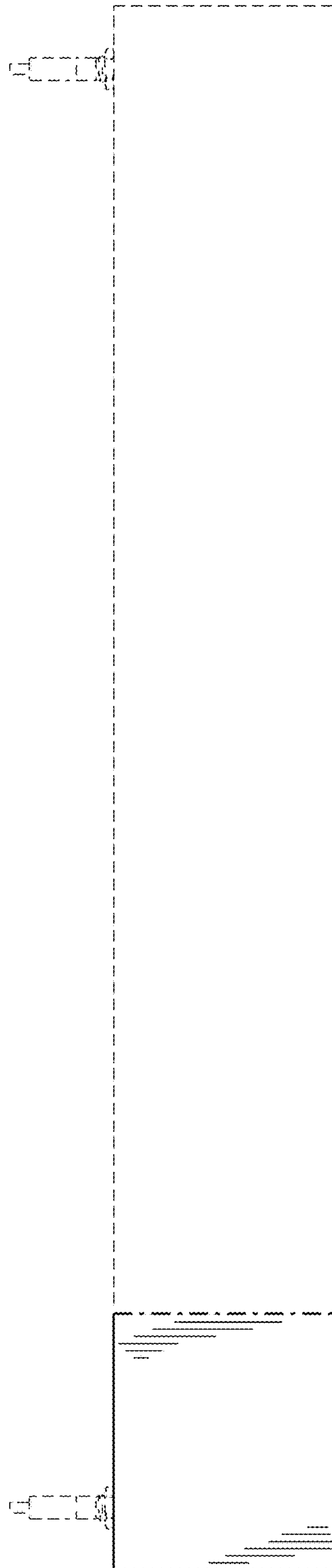


FIG. 12

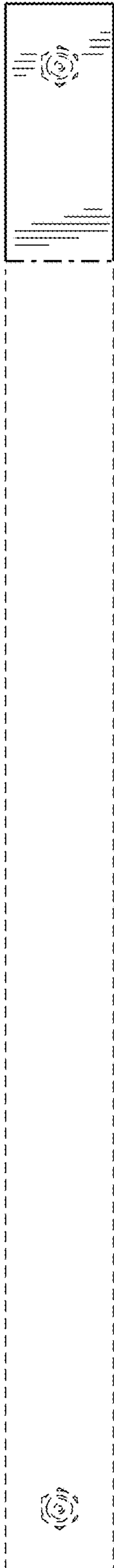


FIG. 13

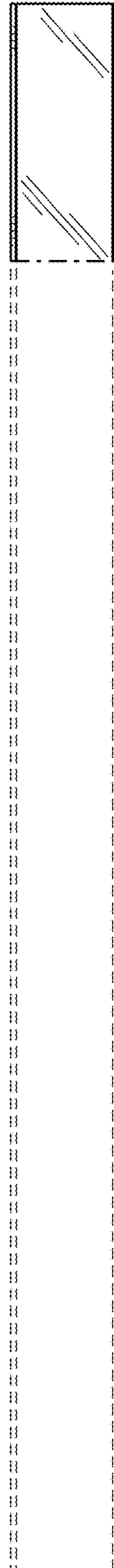


FIG. 14

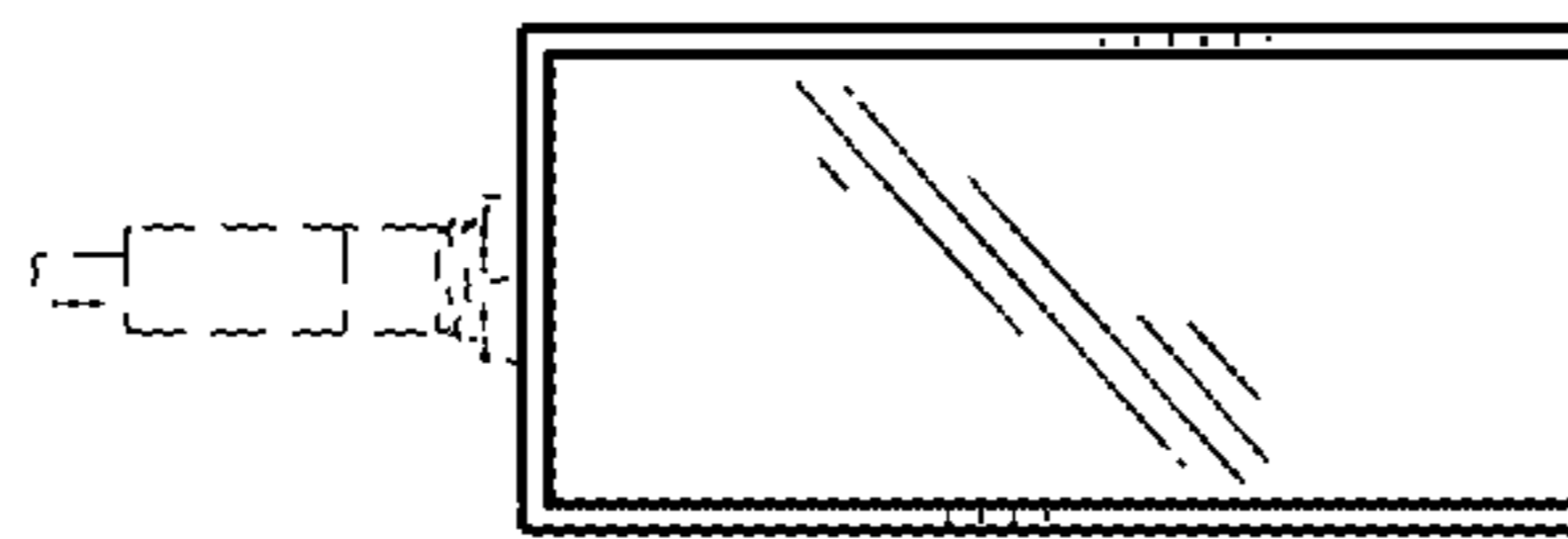


FIG. 15

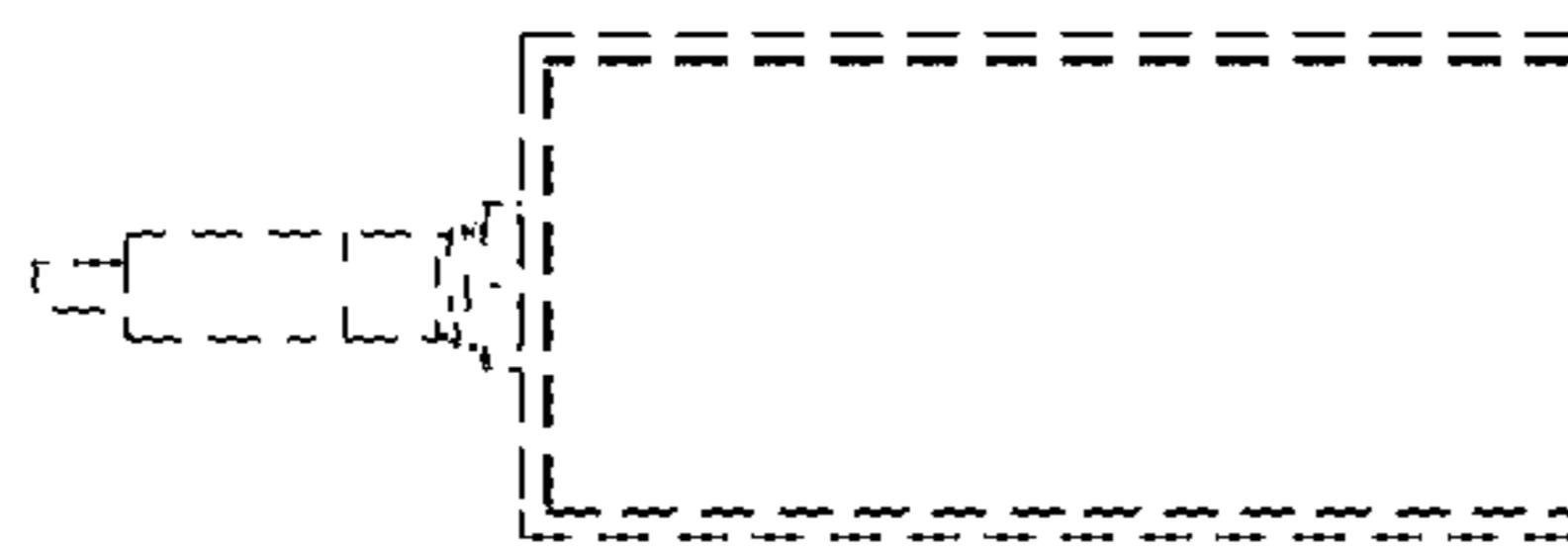


FIG. 16

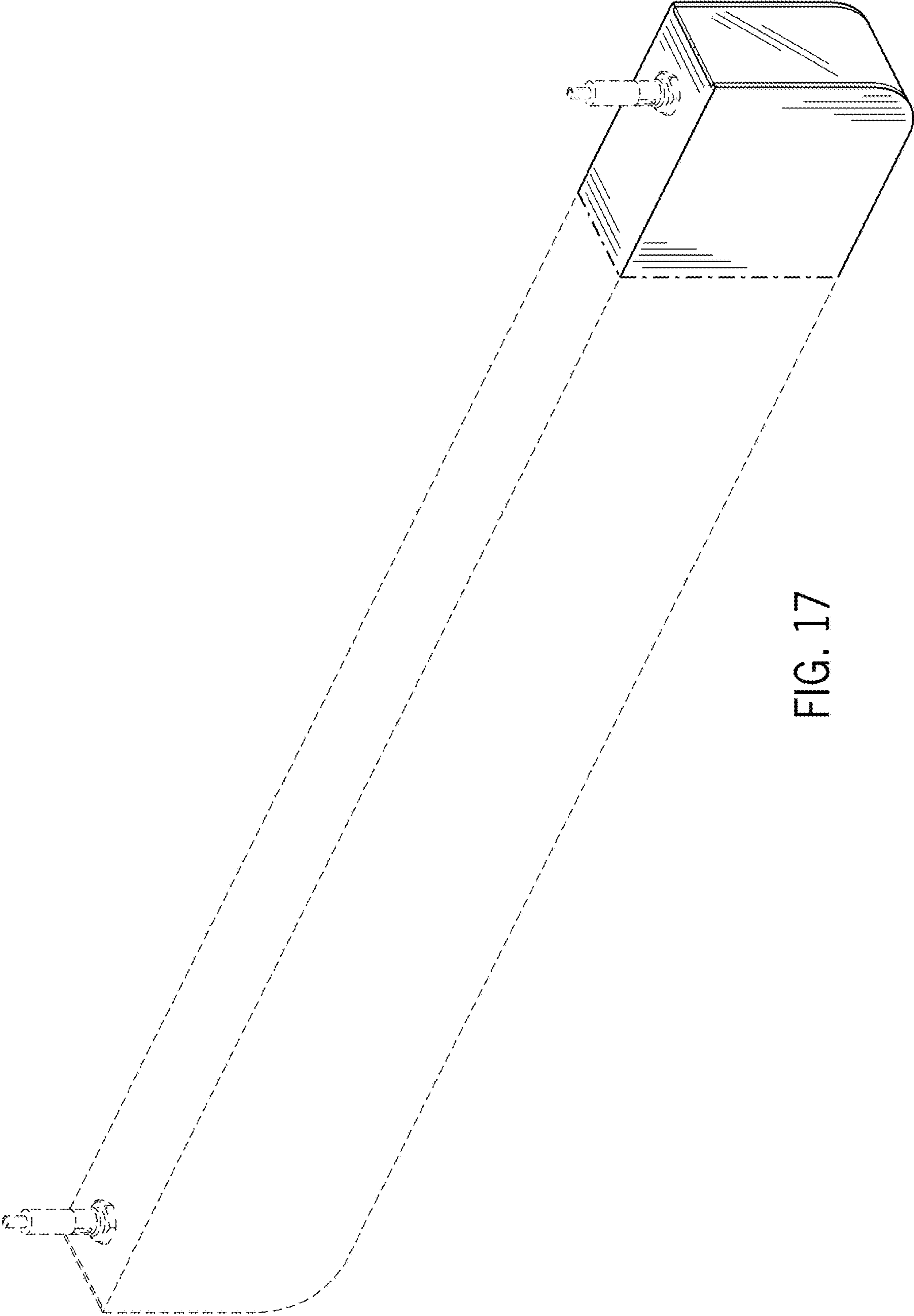


FIG. 17

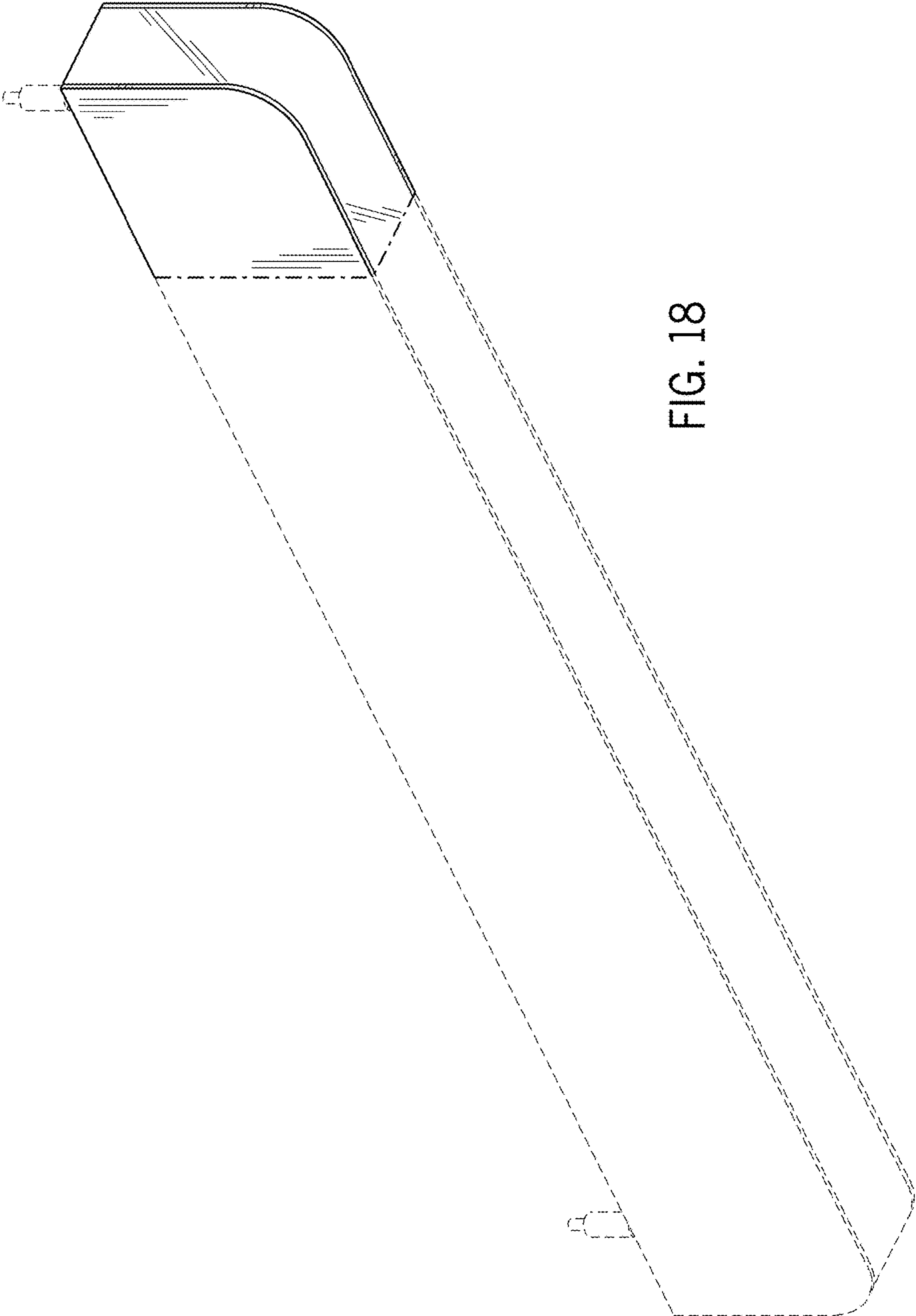


FIG. 18



FIG. 19

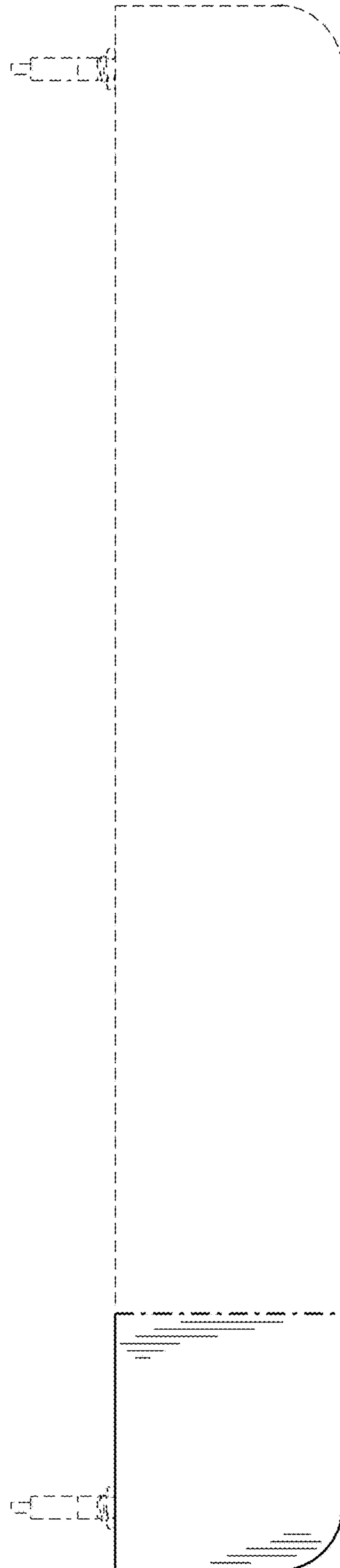


FIG. 20

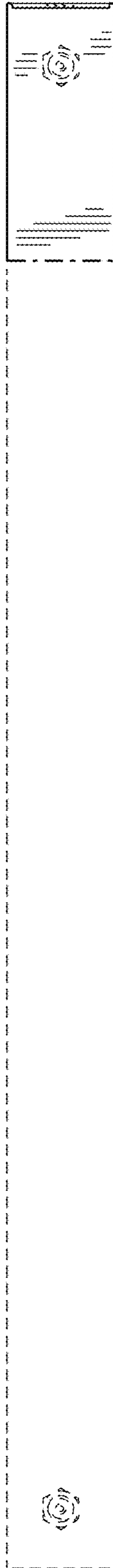


FIG. 21

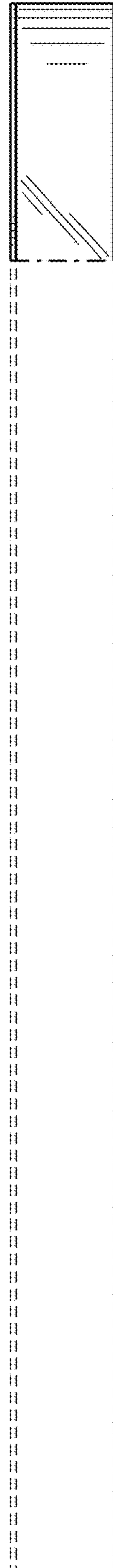


FIG. 22



FIG. 24

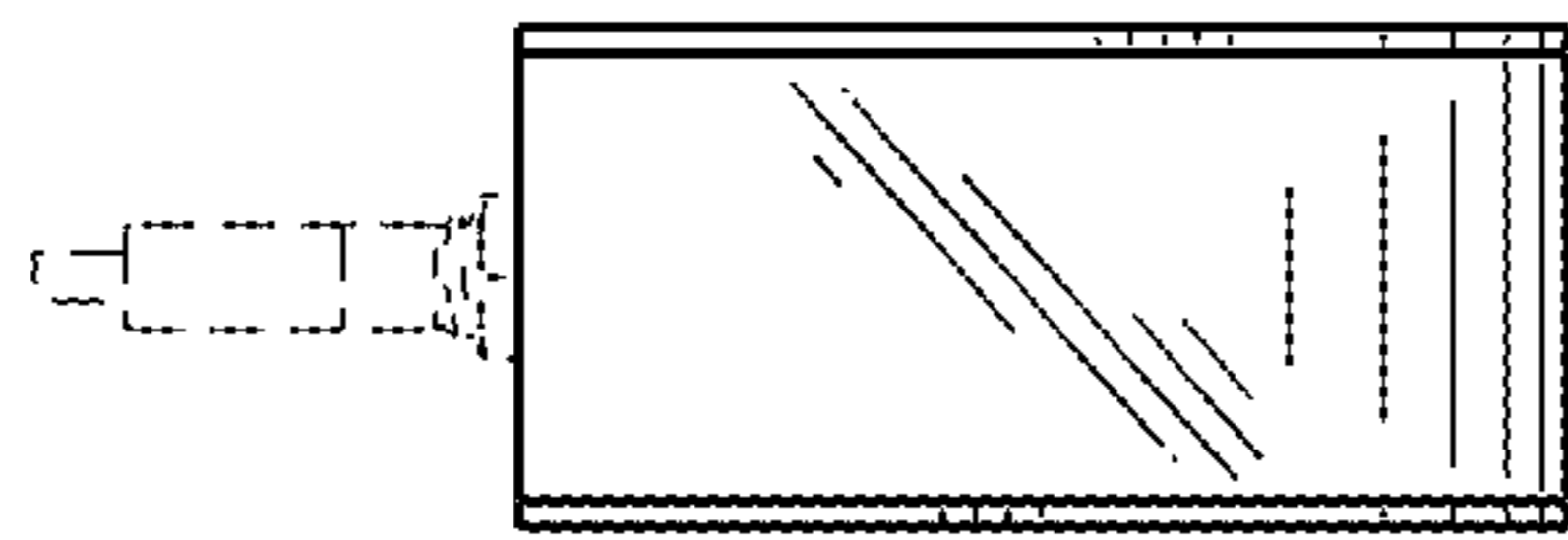


FIG. 23

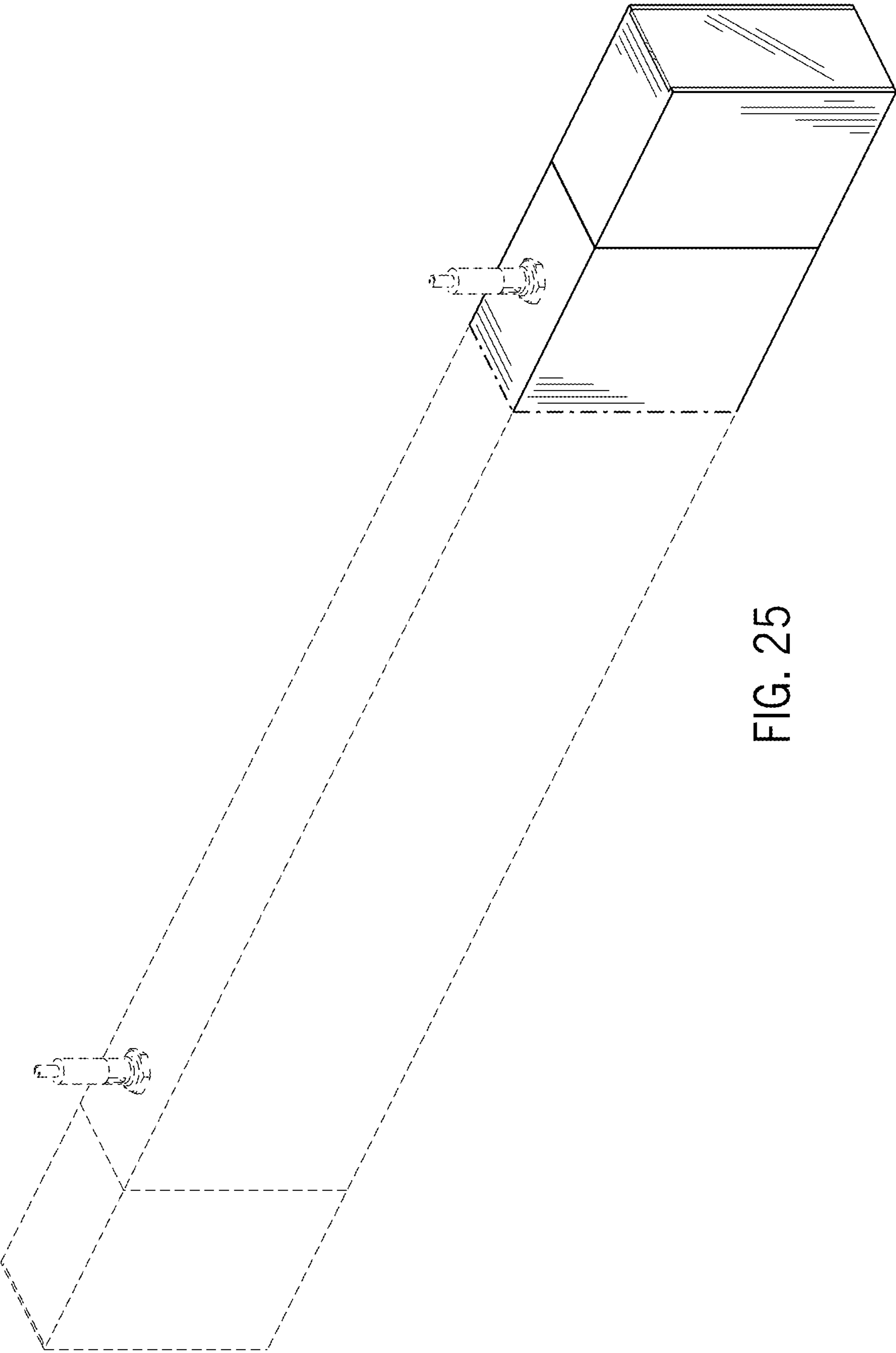


FIG. 25

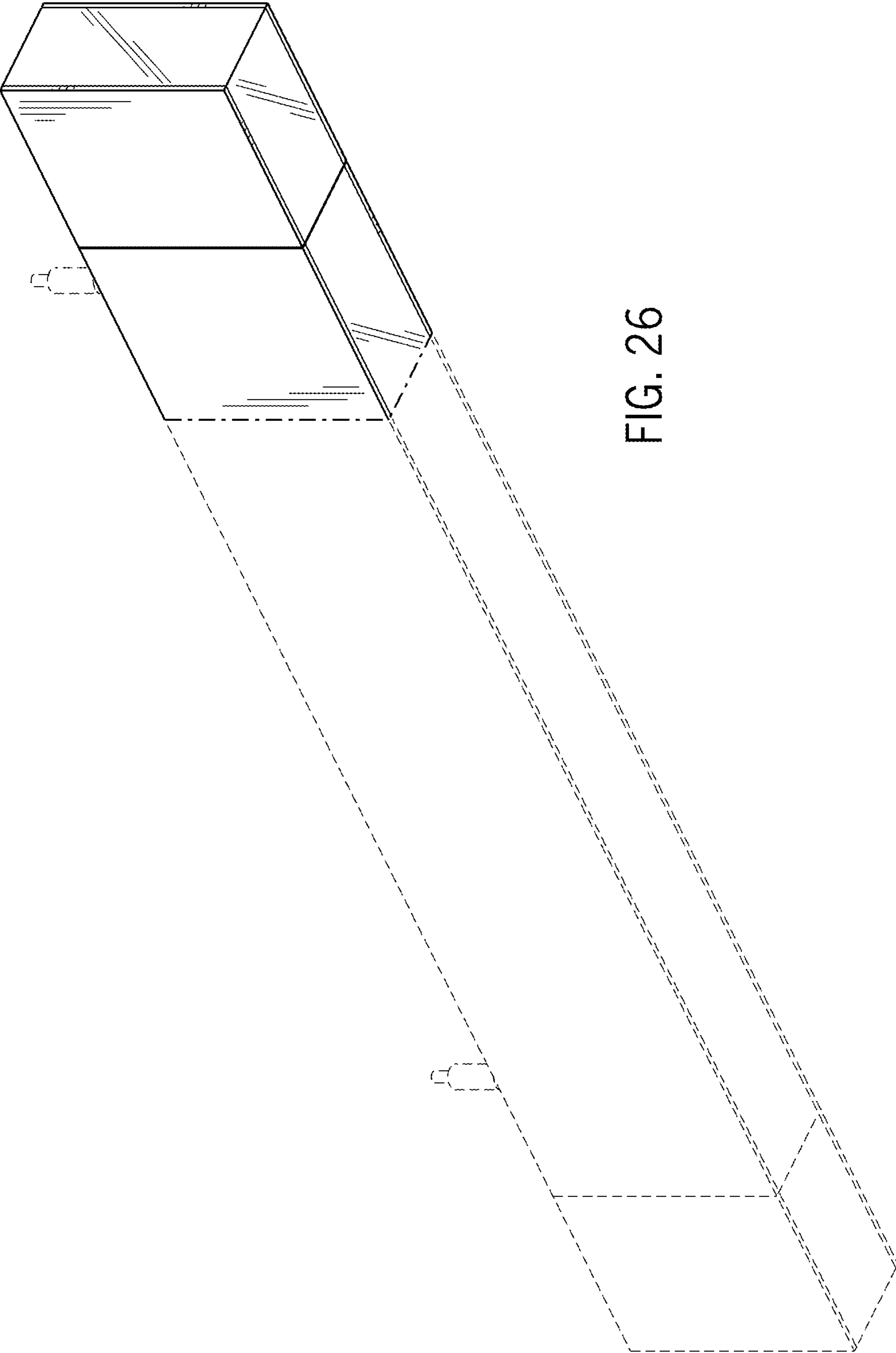


FIG. 26

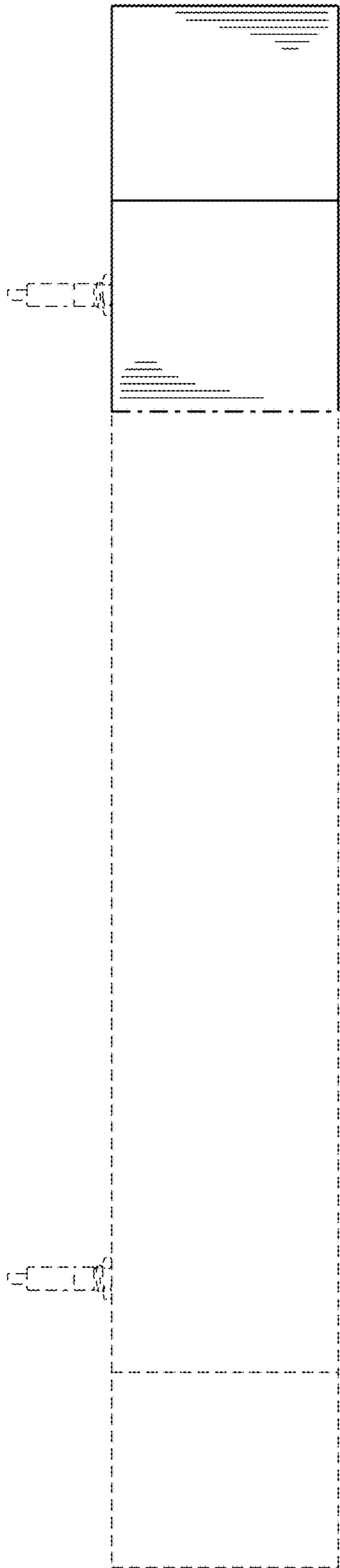


FIG. 27

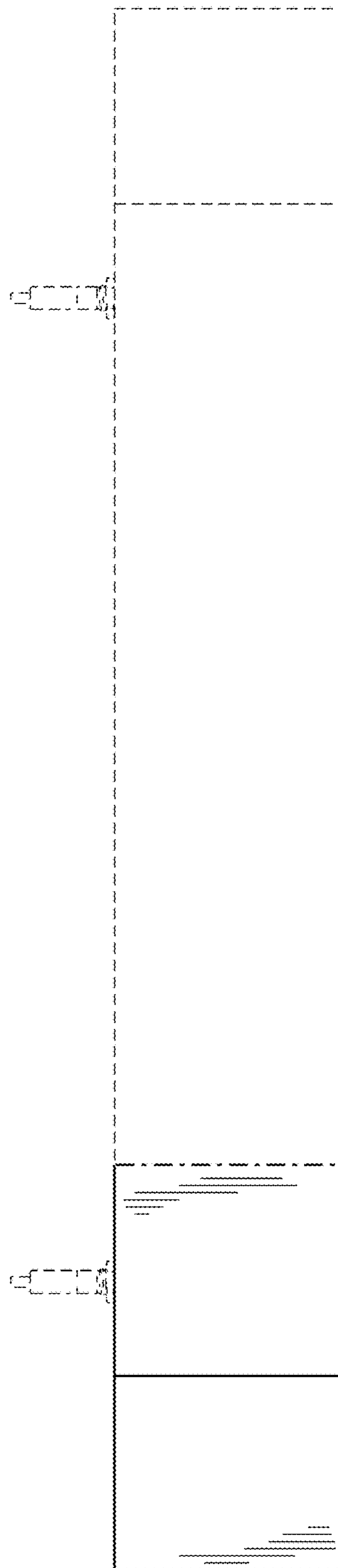


FIG. 28

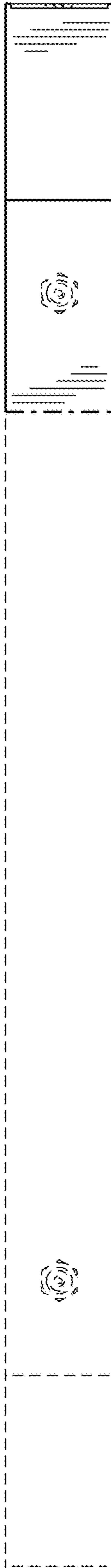


FIG. 29

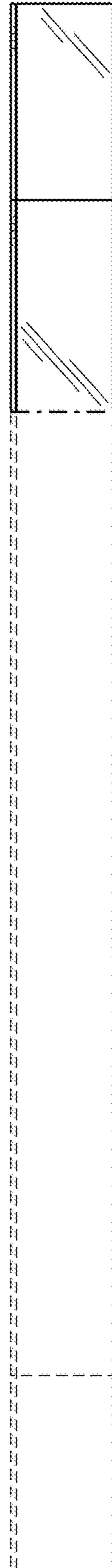


FIG. 30

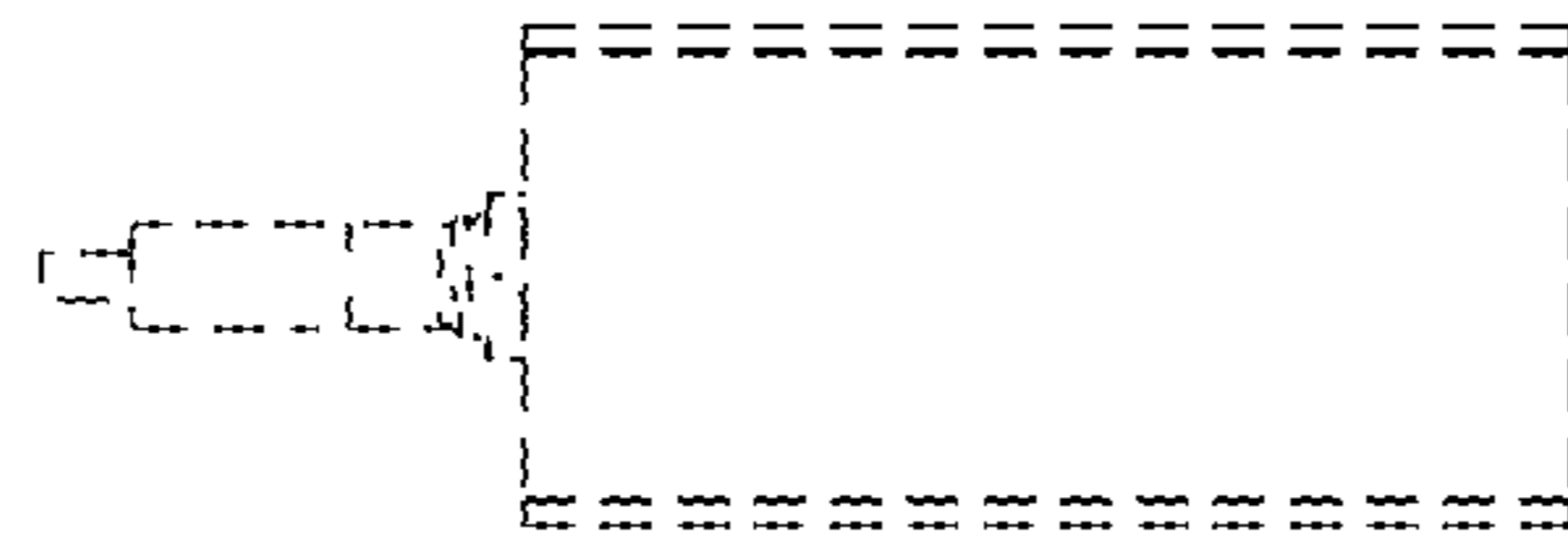


FIG. 32

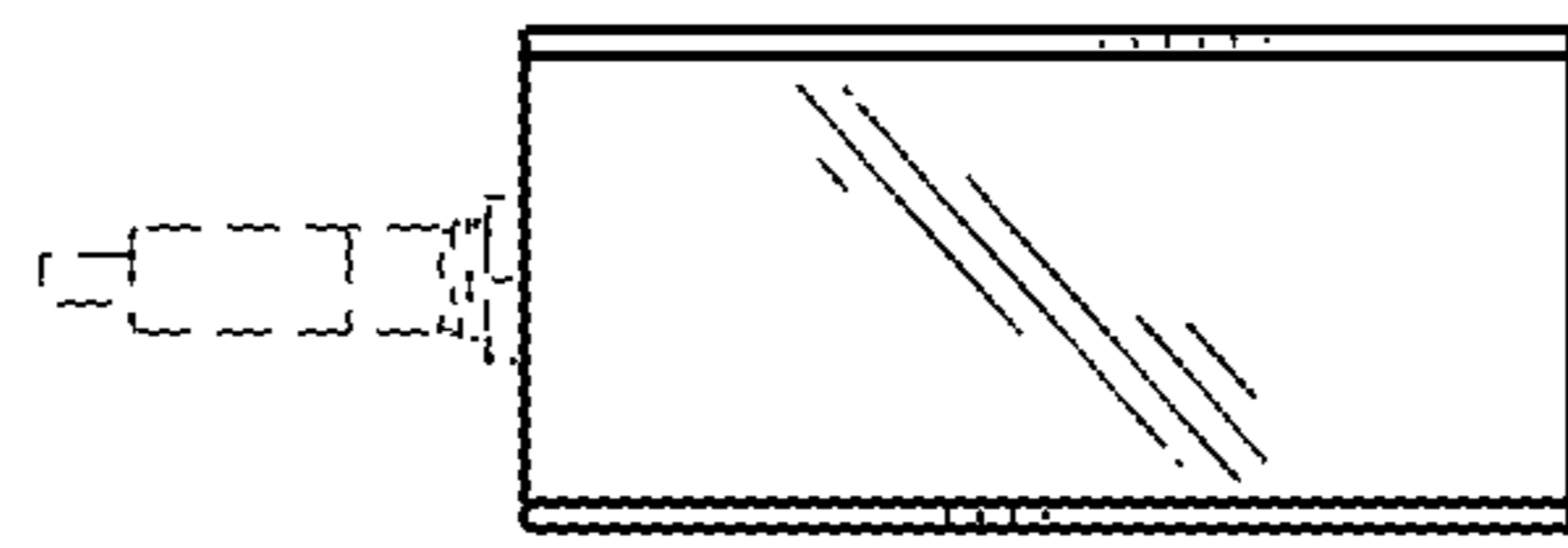


FIG. 31

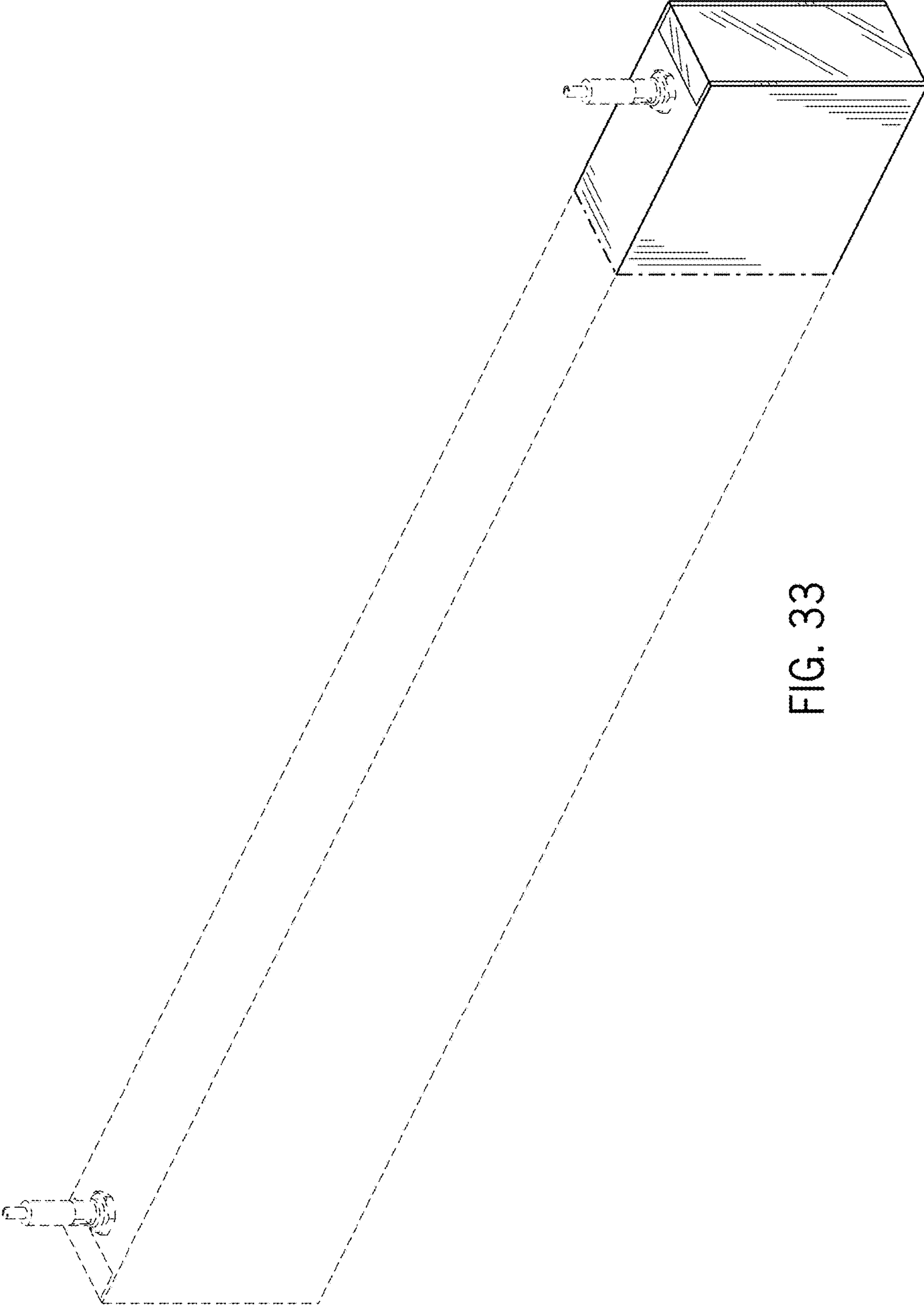
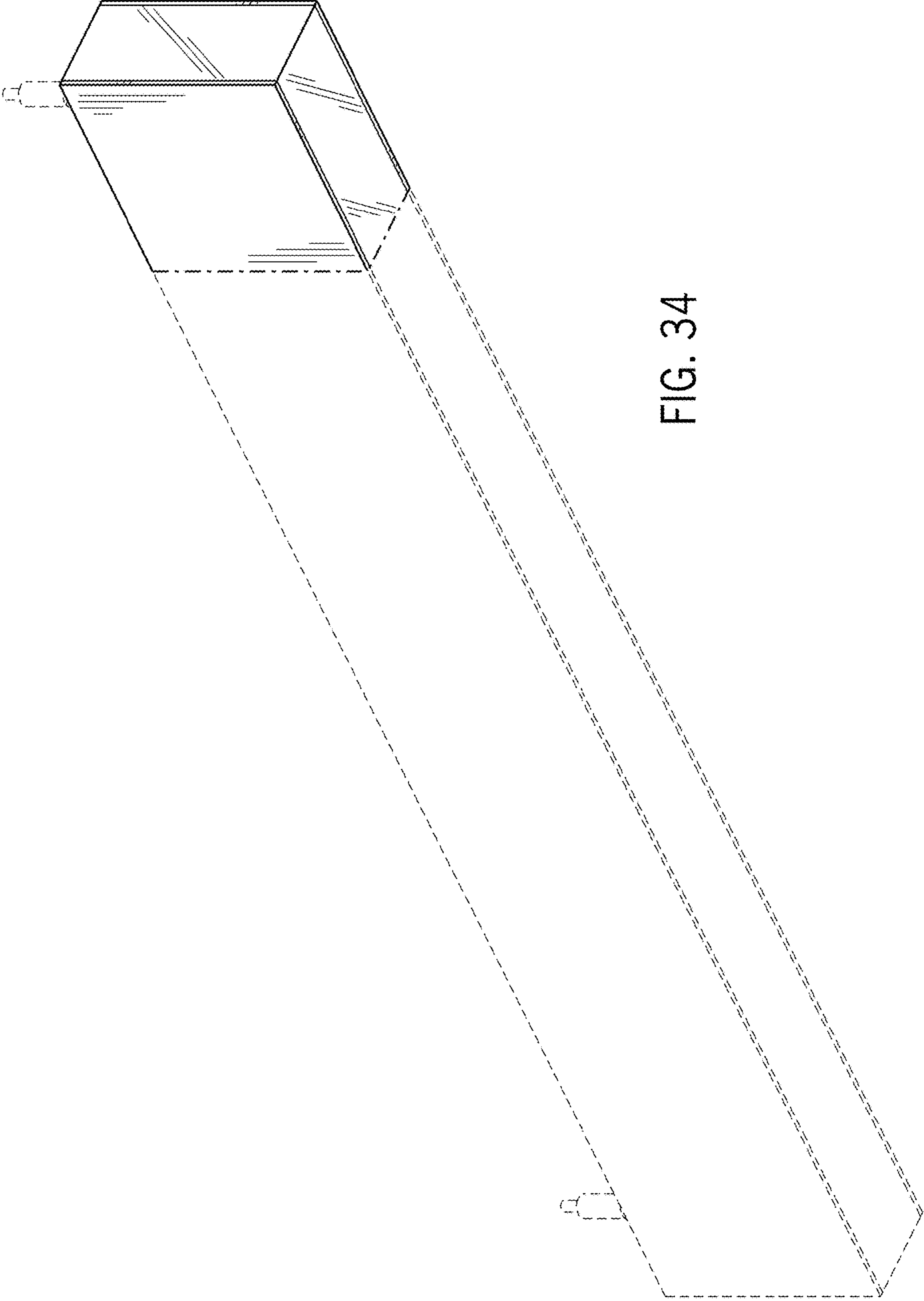


FIG. 33



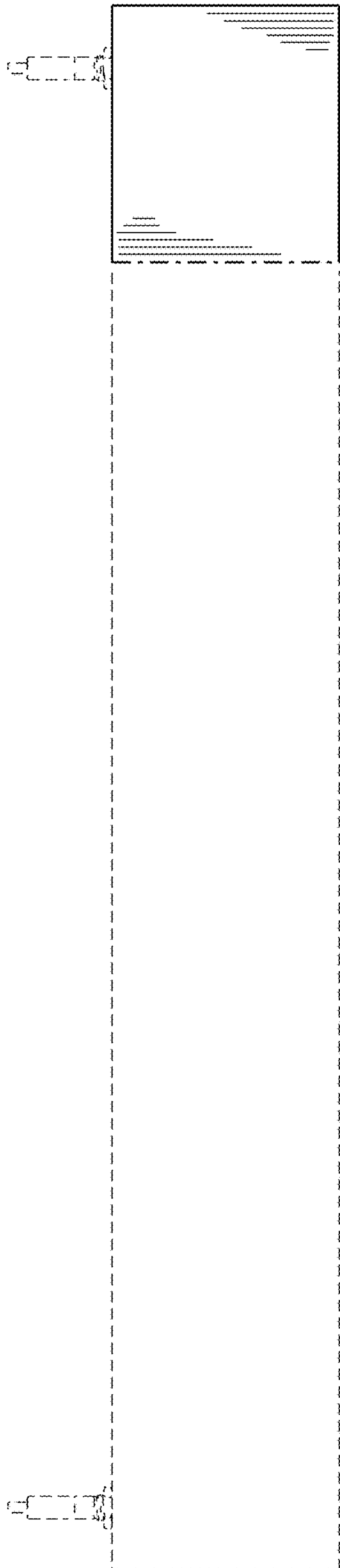


FIG. 35

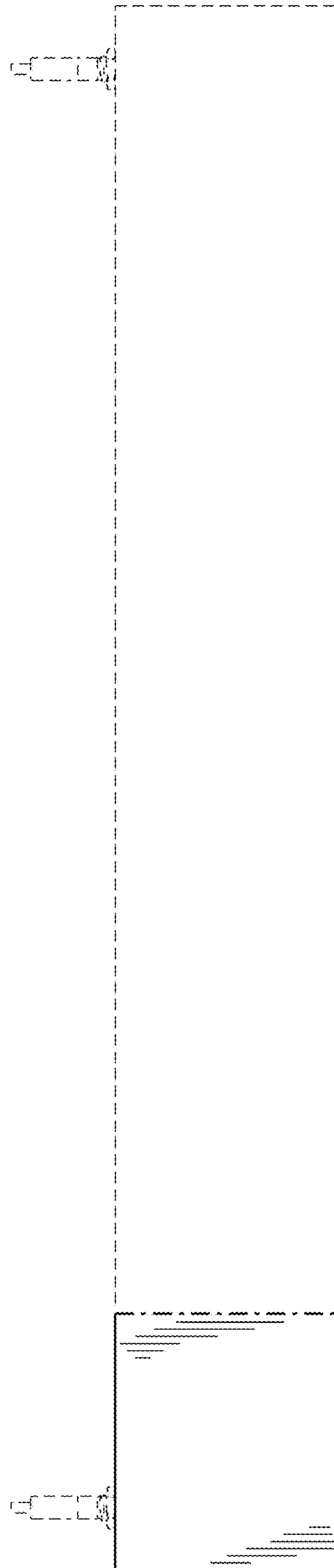


FIG. 36

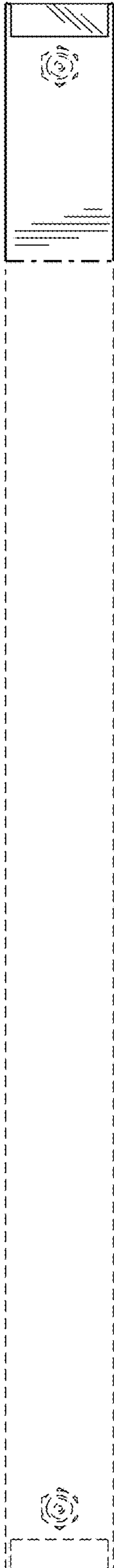


FIG. 37

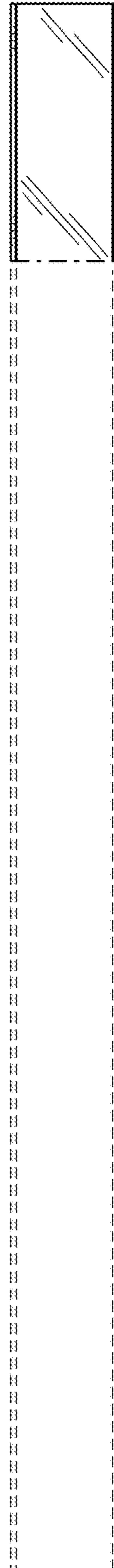


FIG. 38

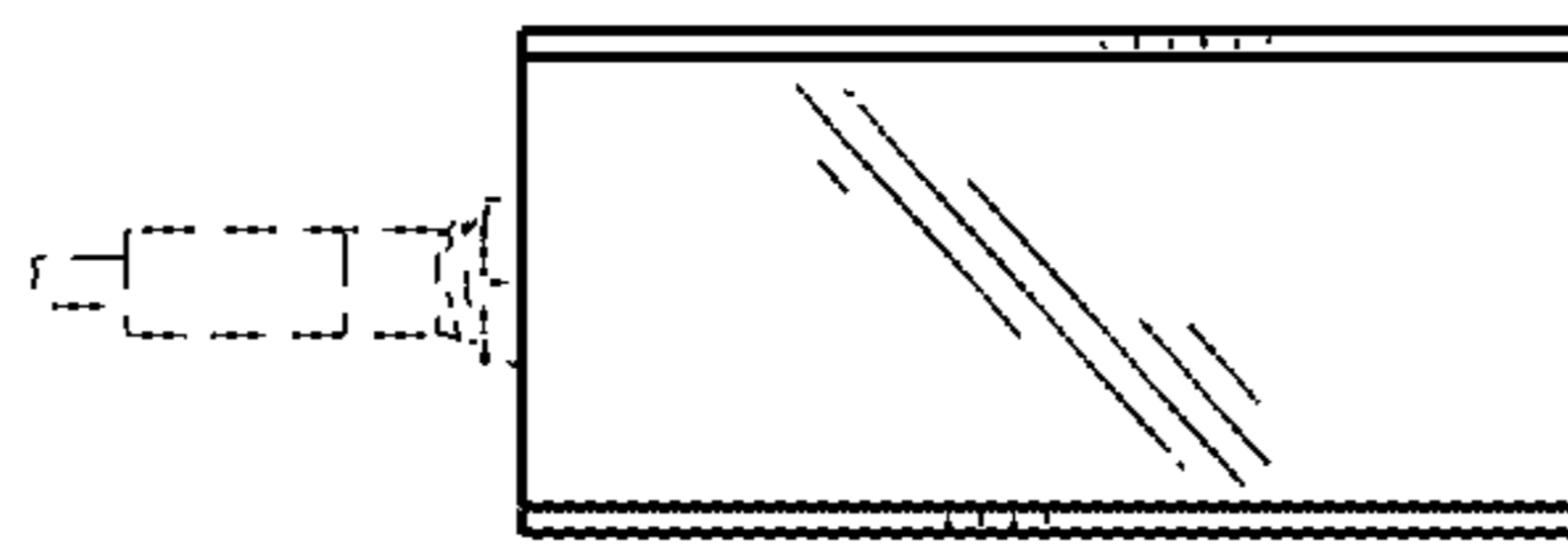


FIG. 39

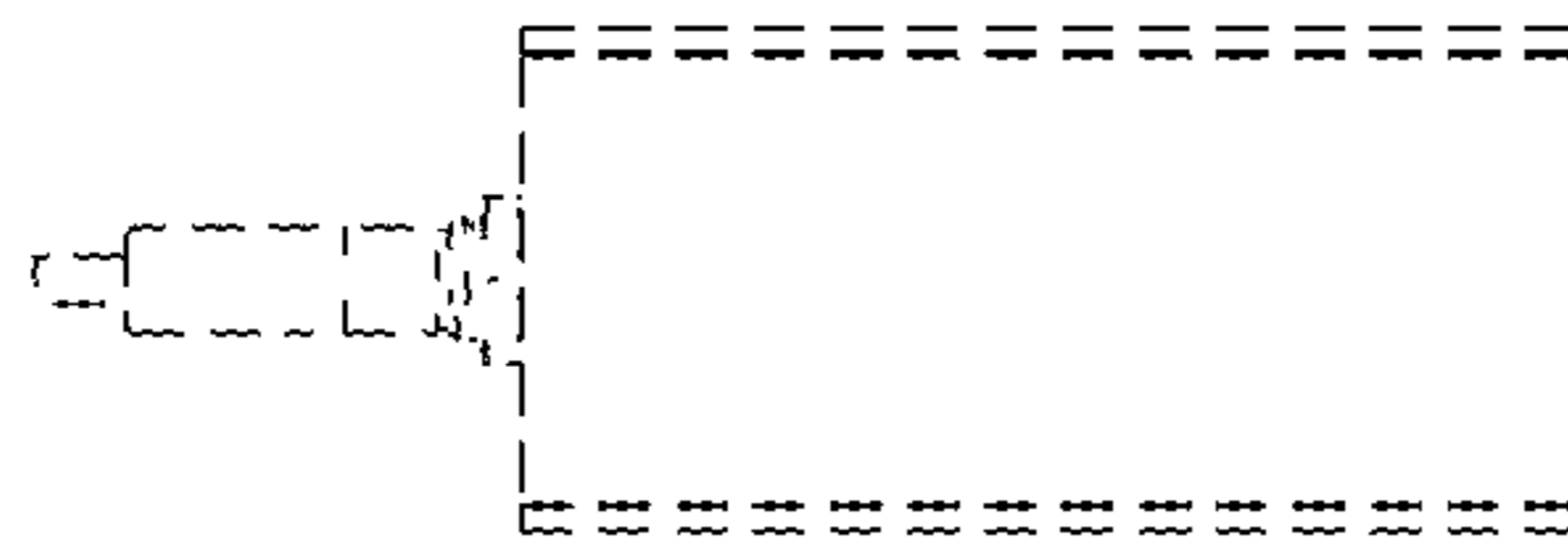


FIG. 40