



US00D967505S

(12) **United States Design Patent**
Ung

(10) **Patent No.:** **US D967,505 S**

(45) **Date of Patent:** **** Oct. 18, 2022**

(54) **LAMPSHADE FOR MOBILE PHONE
FLASHLIGHT**

(71) Applicant: **Sheung Chi Ung**, Kwai Chung (HK)

(72) Inventor: **Sheung Chi Ung**, Kwai Chung (HK)

(**) Term: **15 Years**

(21) Appl. No.: **29/727,420**

(22) Filed: **Mar. 11, 2020**

(51) **LOC (13) Cl.** **26-05**

(52) **U.S. Cl.**
USPC **D26/118; D26/60; D16/237**

(58) **Field of Classification Search**
USPC D26/23, 38, 51, 60, 113, 118, 119, 123,
D26/124; D14/138 R, 299, 345, 372,
D14/432, 496; D16/136, 218, 219, 237,
D16/239, 241, 250
CPC F21V 1/00; F21V 1/04; F21V 1/06; F21V
7/00; F21V 7/0075; F21V 3/00; F21V
15/00; F21V 15/01

See application file for complete search history.

(56) **References Cited**

U.S. PATENT DOCUMENTS

D529,065 S *	9/2006	Watanabe	D16/134
D564,006 S *	3/2008	Stephens	D16/208
D564,559 S *	3/2008	Stephens	D16/208
D628,615 S *	12/2010	Siegel	D16/242

D702,278 S *	4/2014	Kim	D16/237
D821,482 S *	6/2018	Bacon	D16/237
D853,464 S *	7/2019	Moon	D16/203
D895,877 S *	9/2020	Kaiser	D26/72
D929,007 S *	8/2021	Ke	D26/60
2016/0069548 A1*	3/2016	Wessel	F21V 21/096 362/183

* cited by examiner

Primary Examiner — Wan Laymon
Assistant Examiner — Clint A Samuel

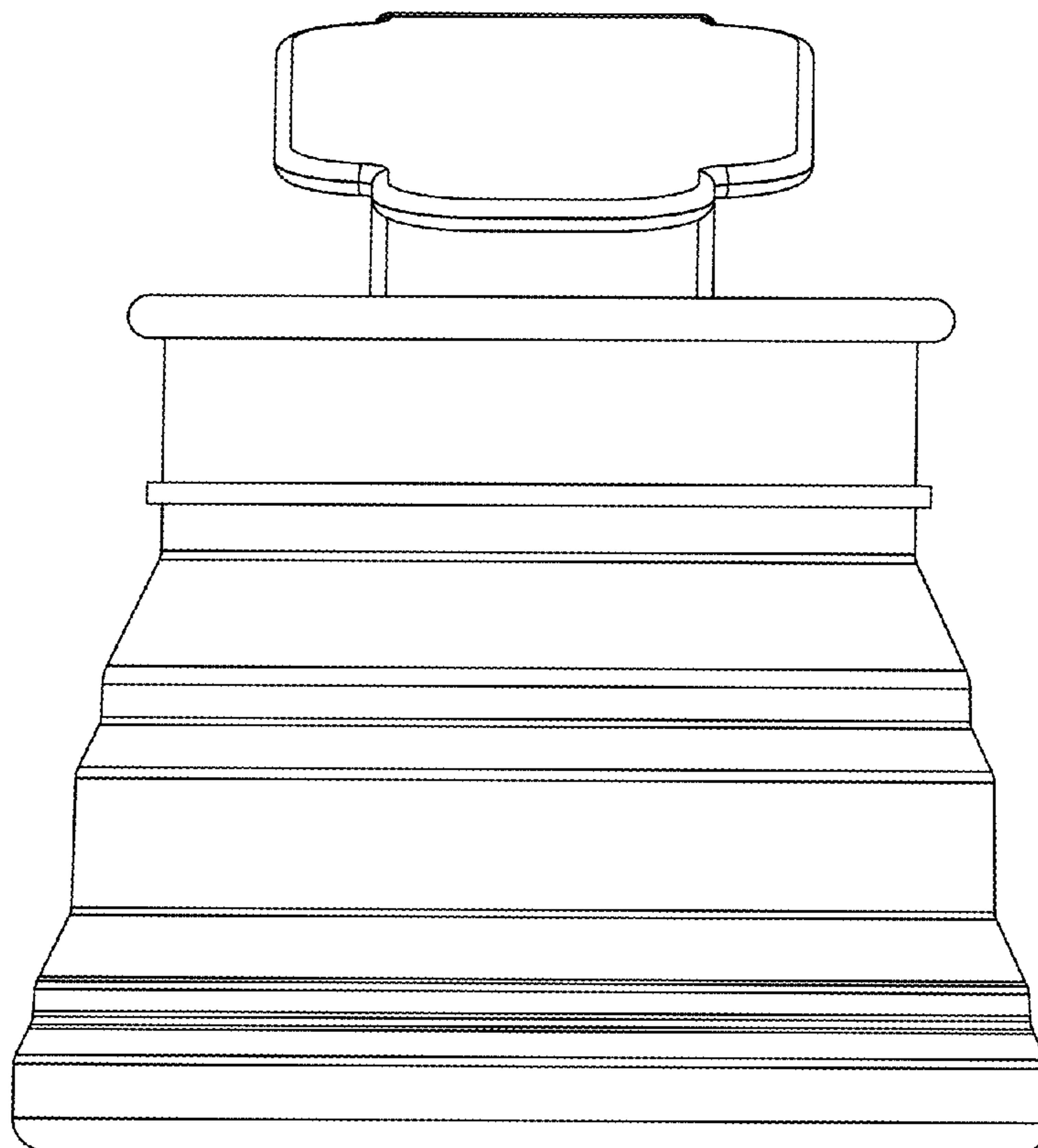
(57) **CLAIM**

The ornamental design for a lampshade for mobile phone flashlight, as shown and described.

DESCRIPTION

FIG. 1 is a front elevational view of a lampshade for mobile phone flashlight showing my new design;
FIG. 2 is a left side view thereof;
FIG. 3 is a rear elevational view thereof;
FIG. 4 is a right side view thereof;
FIG. 5 is a top plan view thereof;
FIG. 6 is a bottom plan view thereof;
FIG. 7 is a perspective view thereof;
FIG. 8 is a second perspective view thereof;
FIG. 9 is a third perspective view thereof; and,
FIG. 10 is an exploded view thereof.

1 Claim, 10 Drawing Sheets



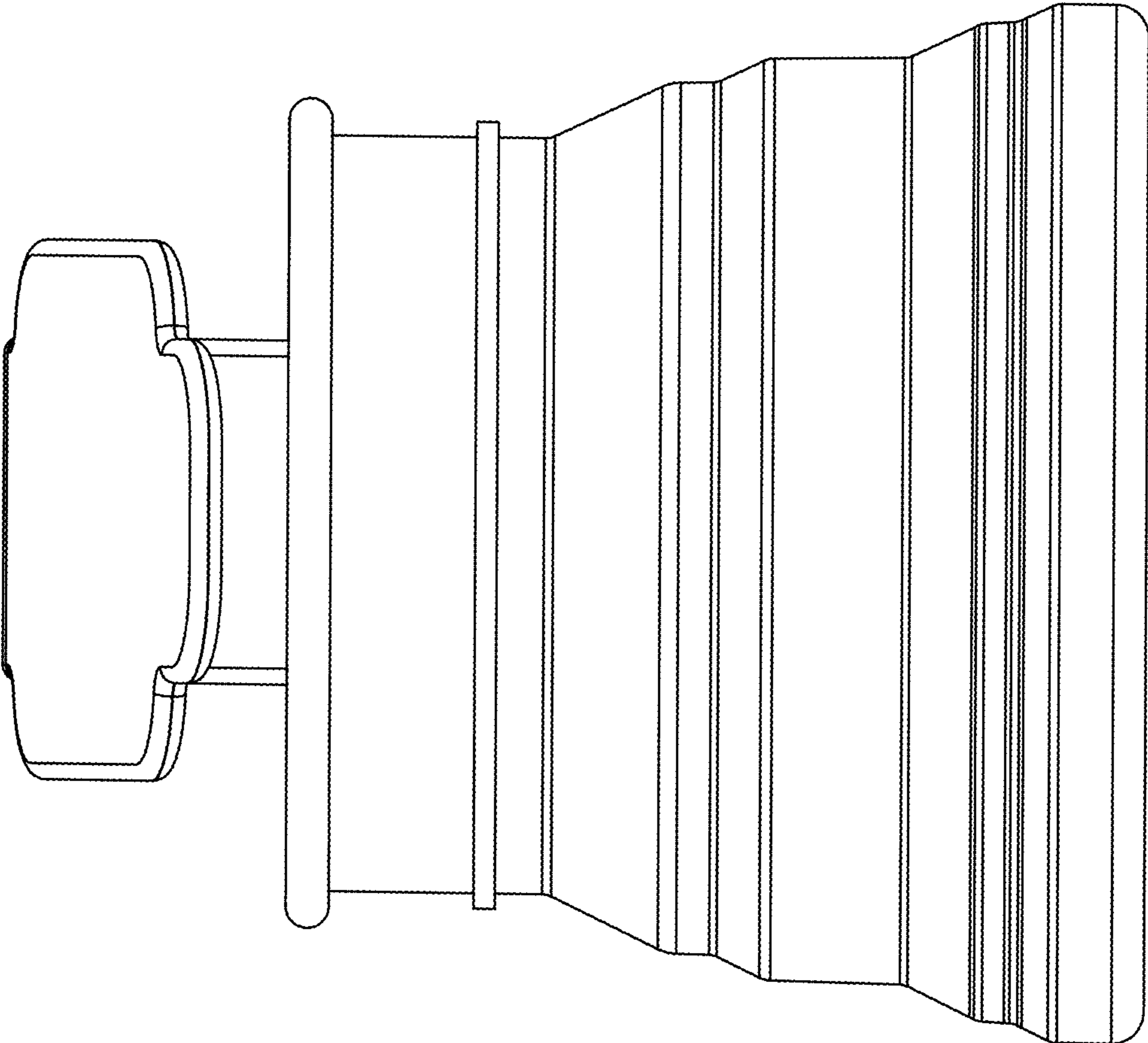


Fig. 1

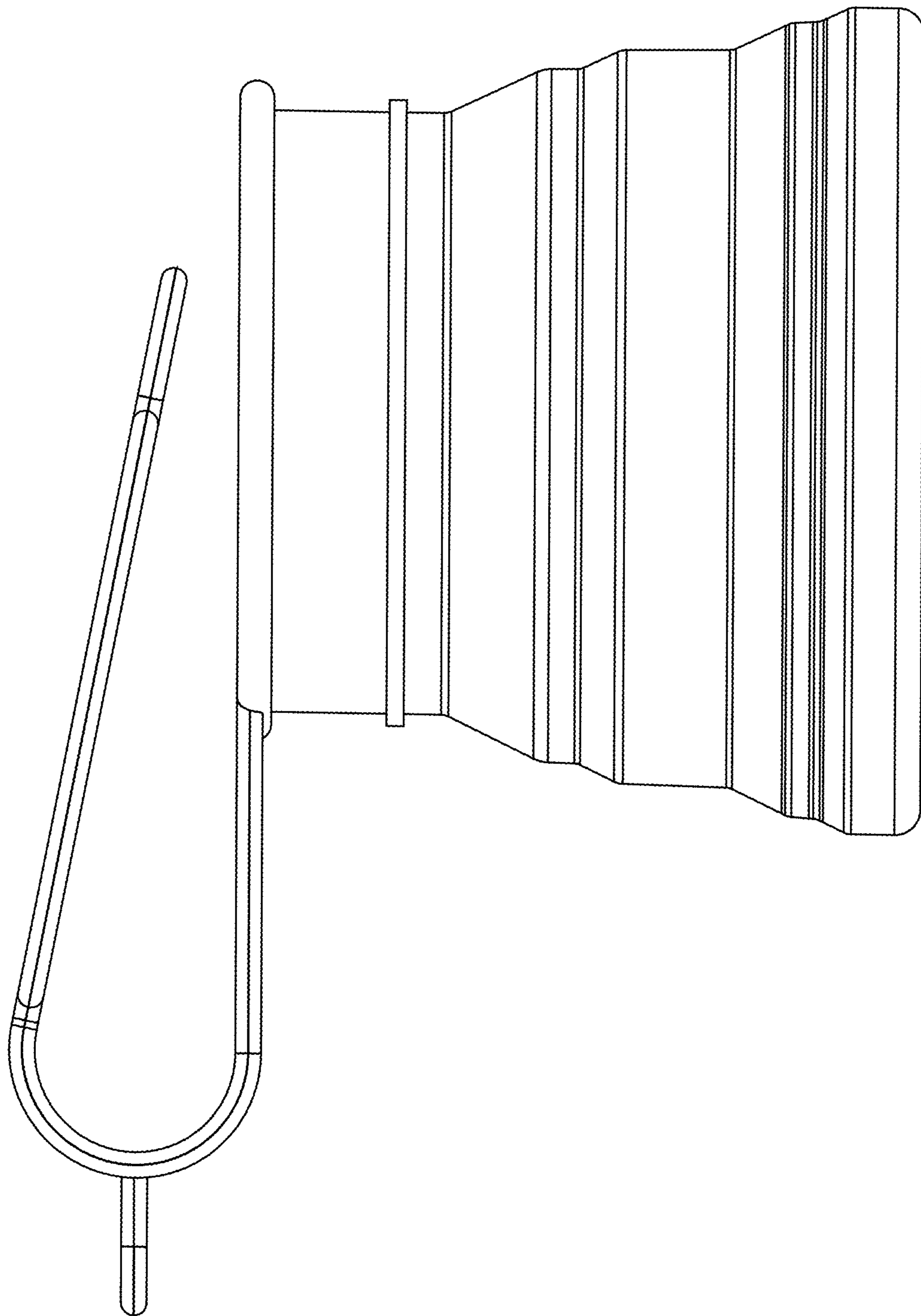


Fig. 2

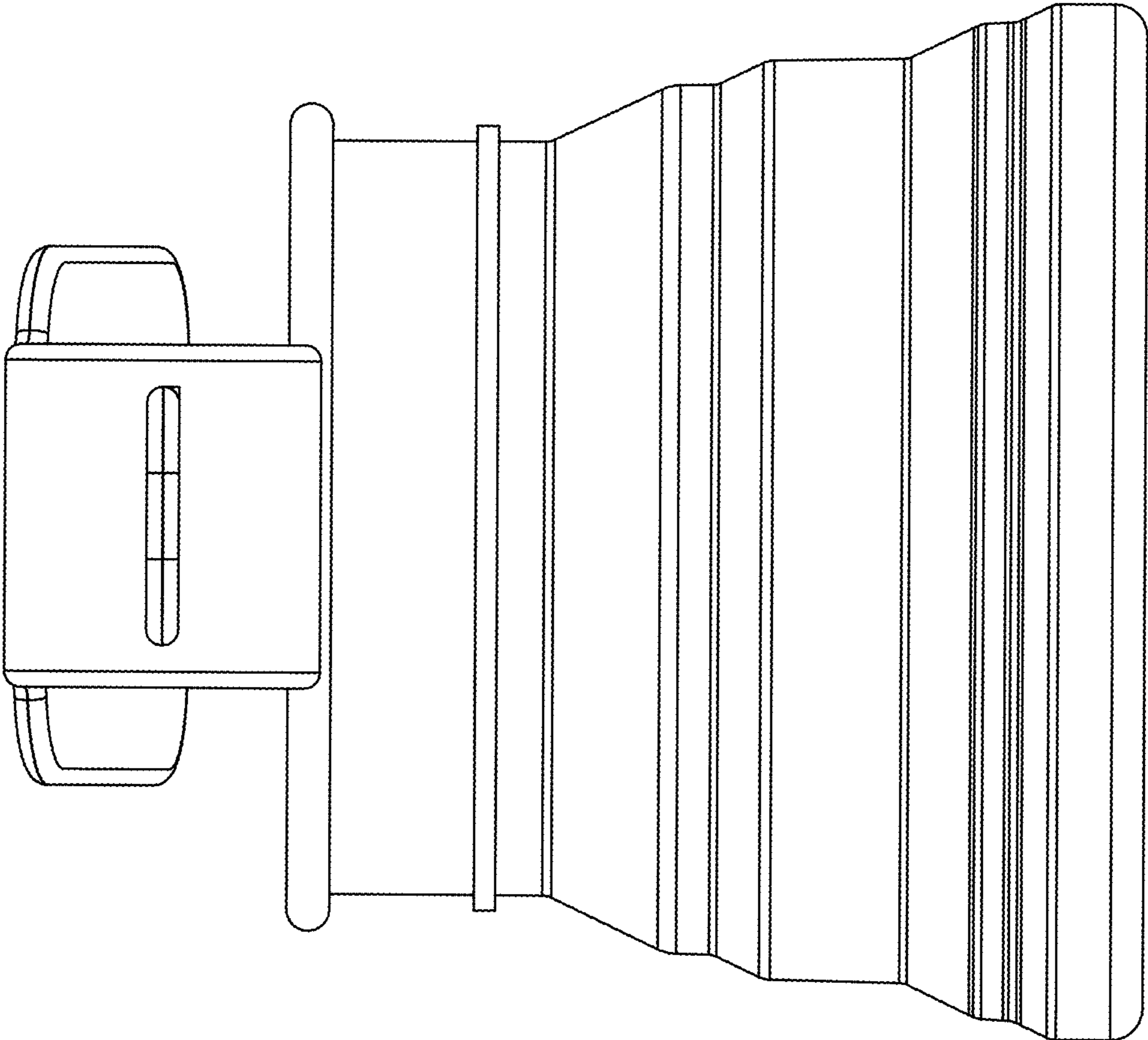


Fig. 3

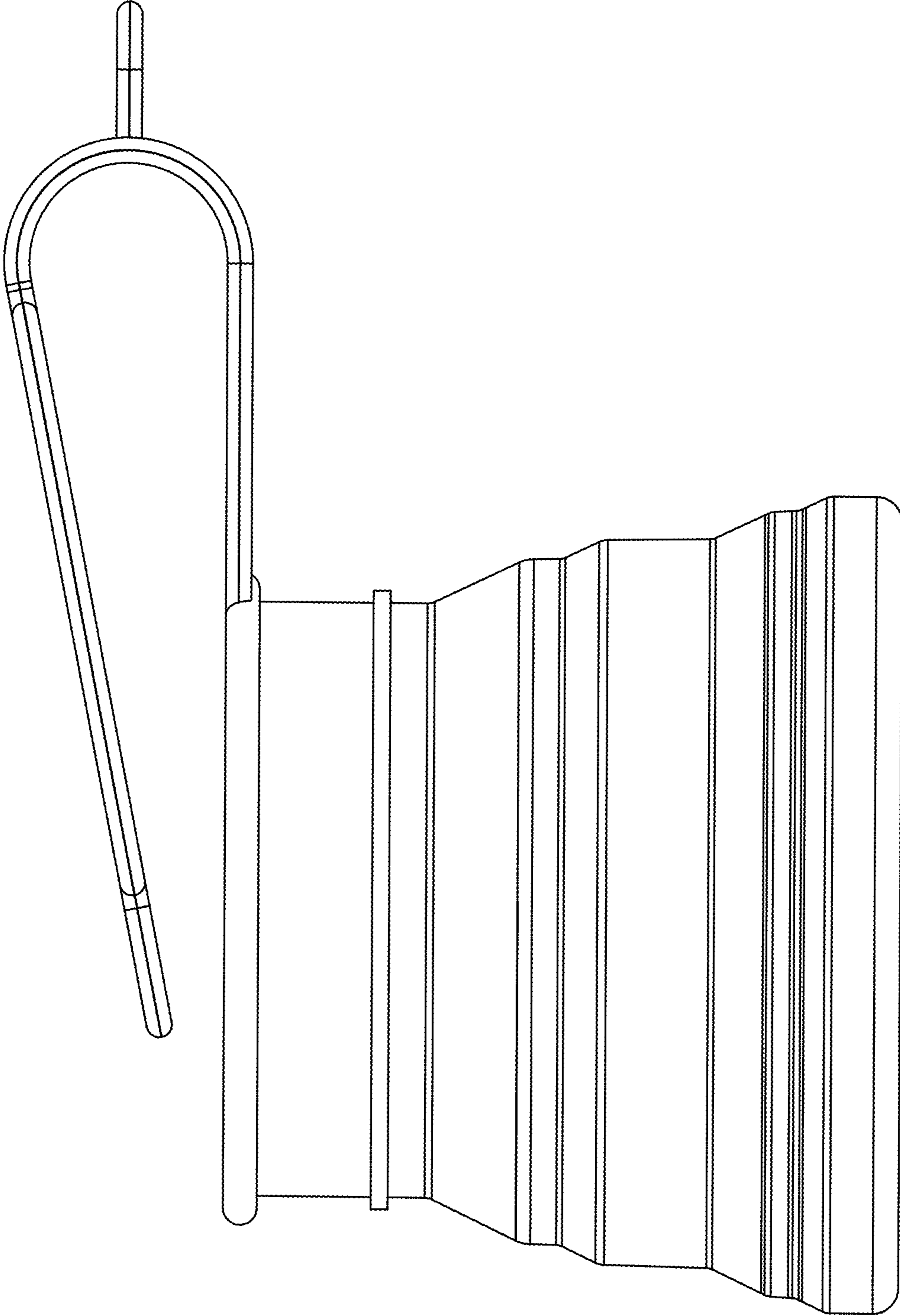


Fig. 4

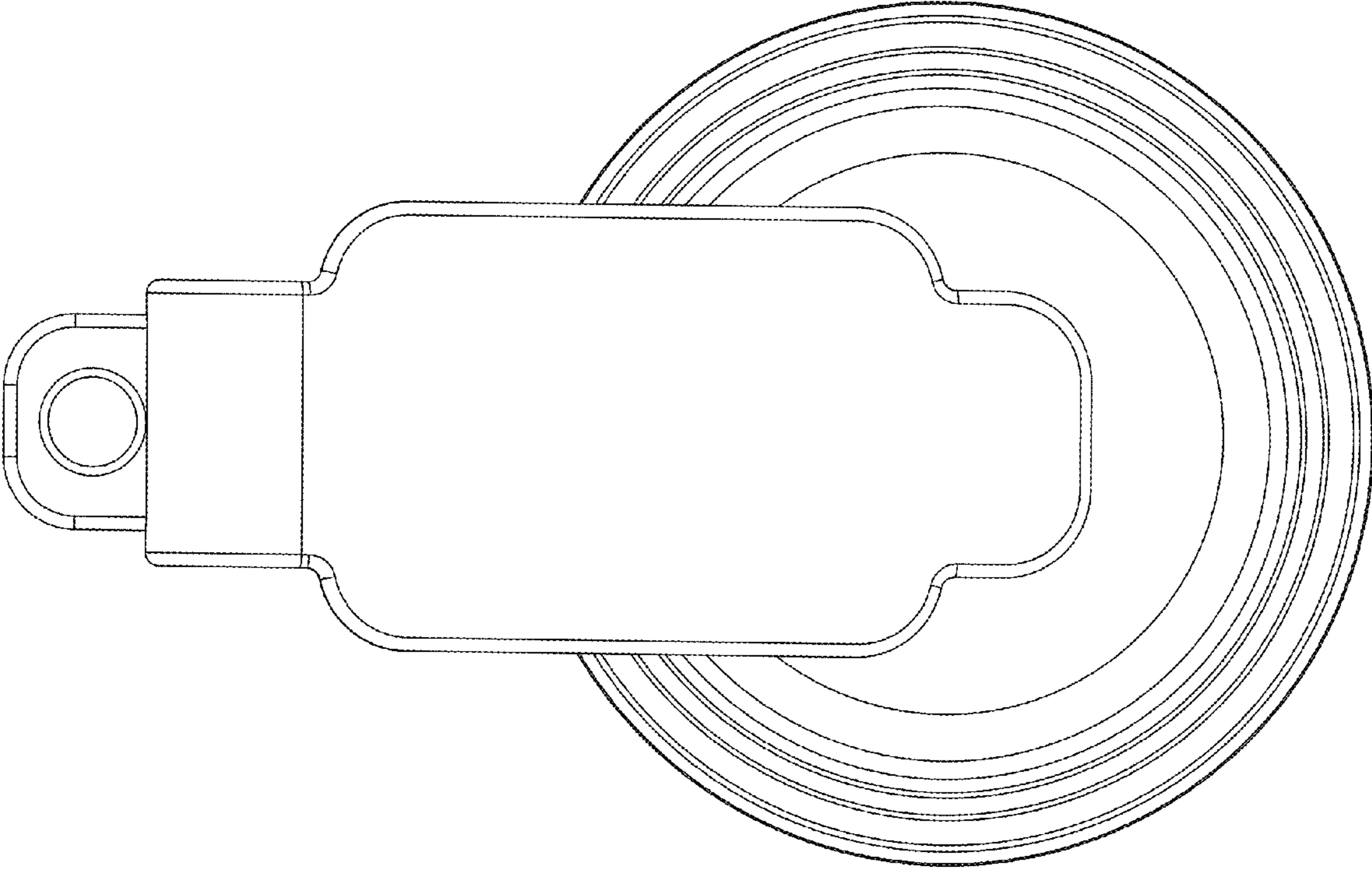


Fig. 5

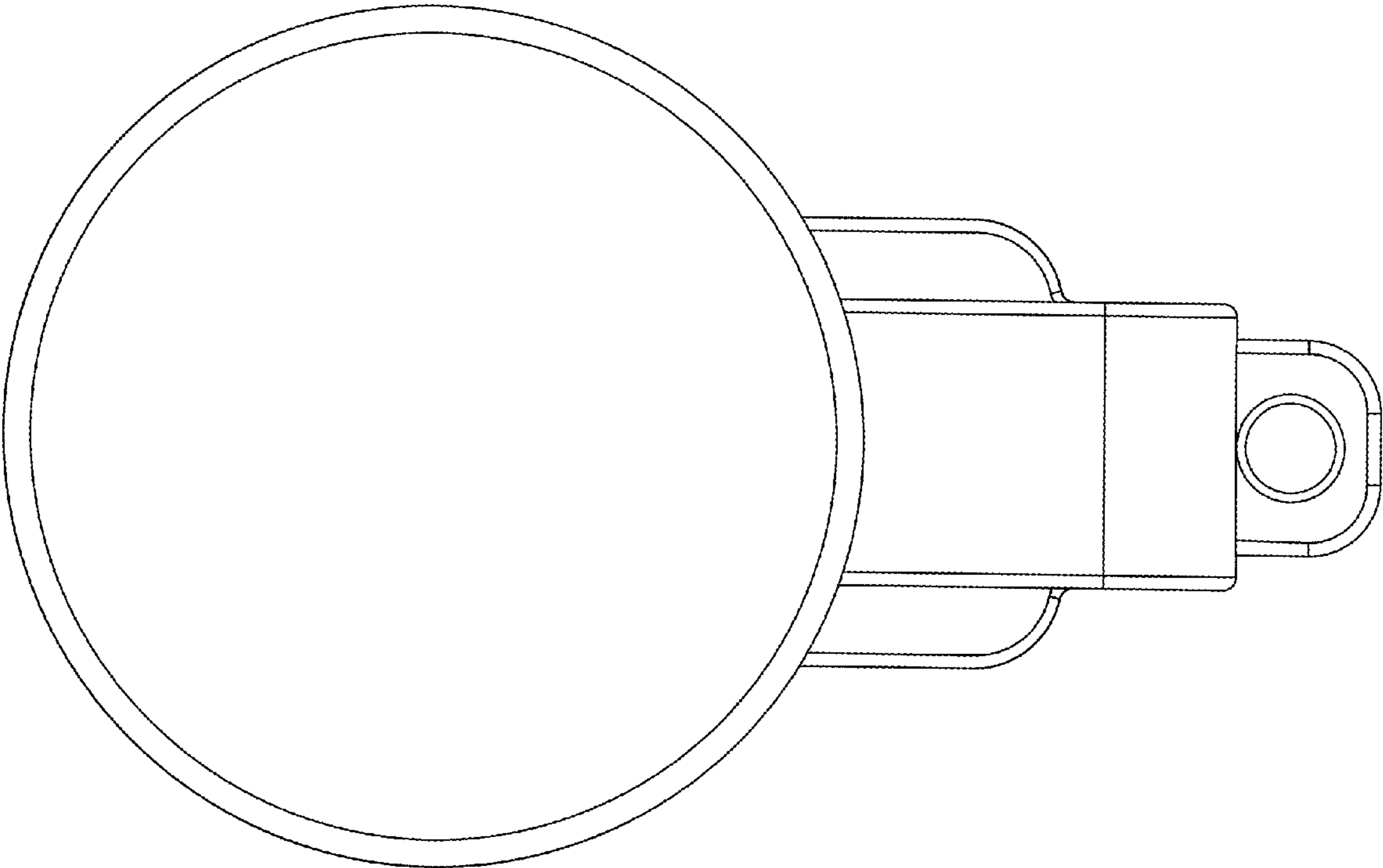


Fig. 6

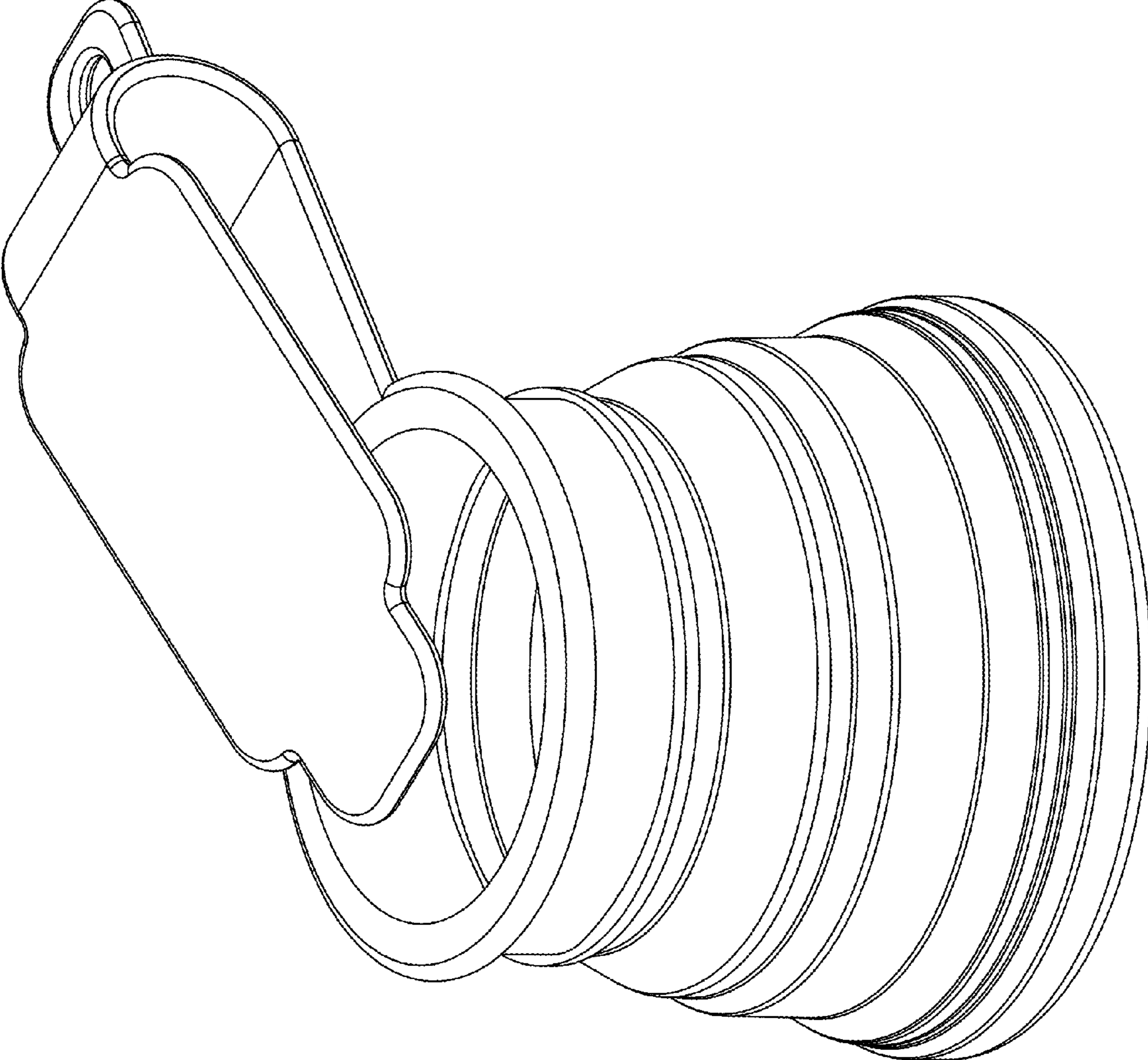


Fig. 7

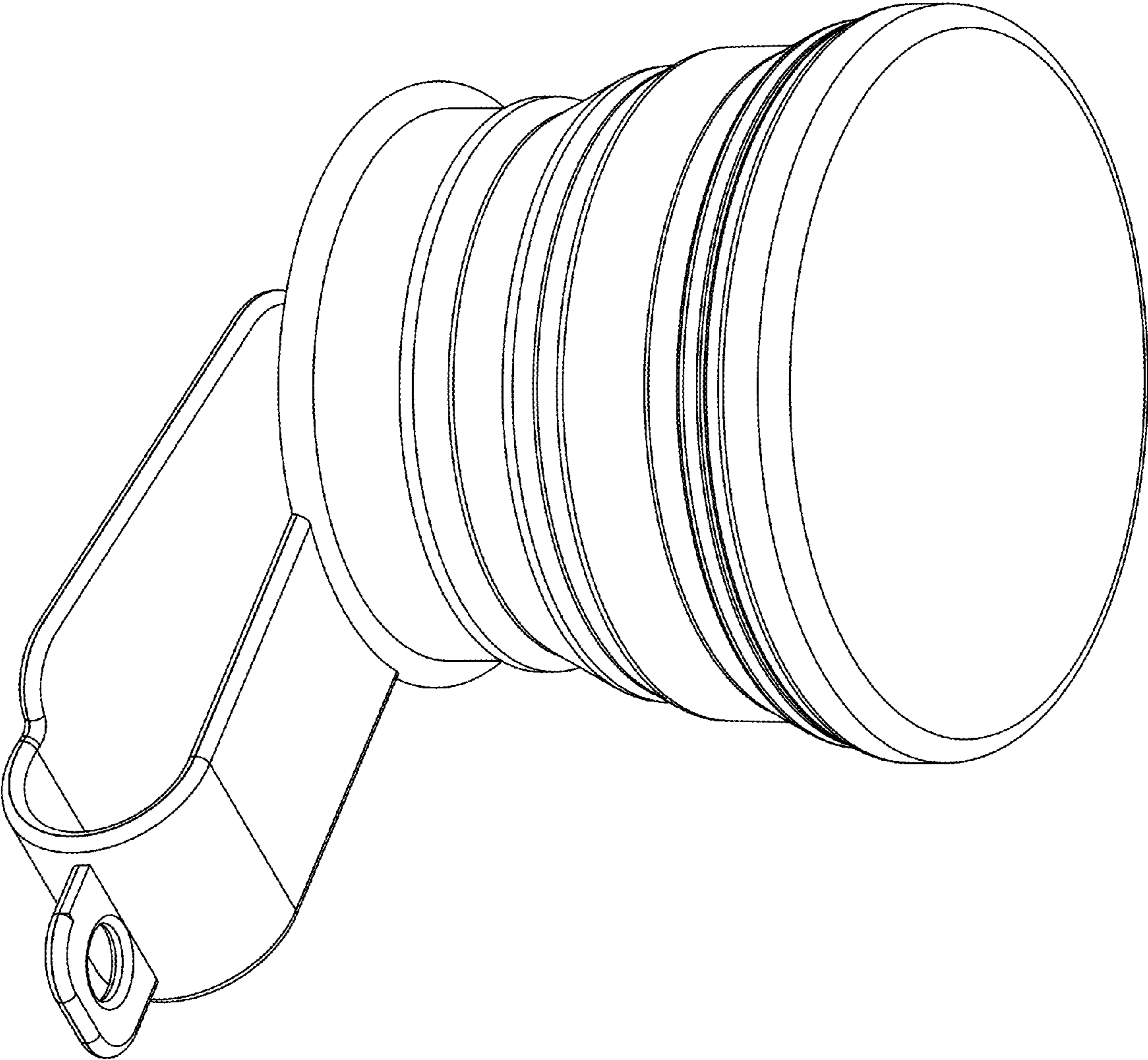


Fig. 8

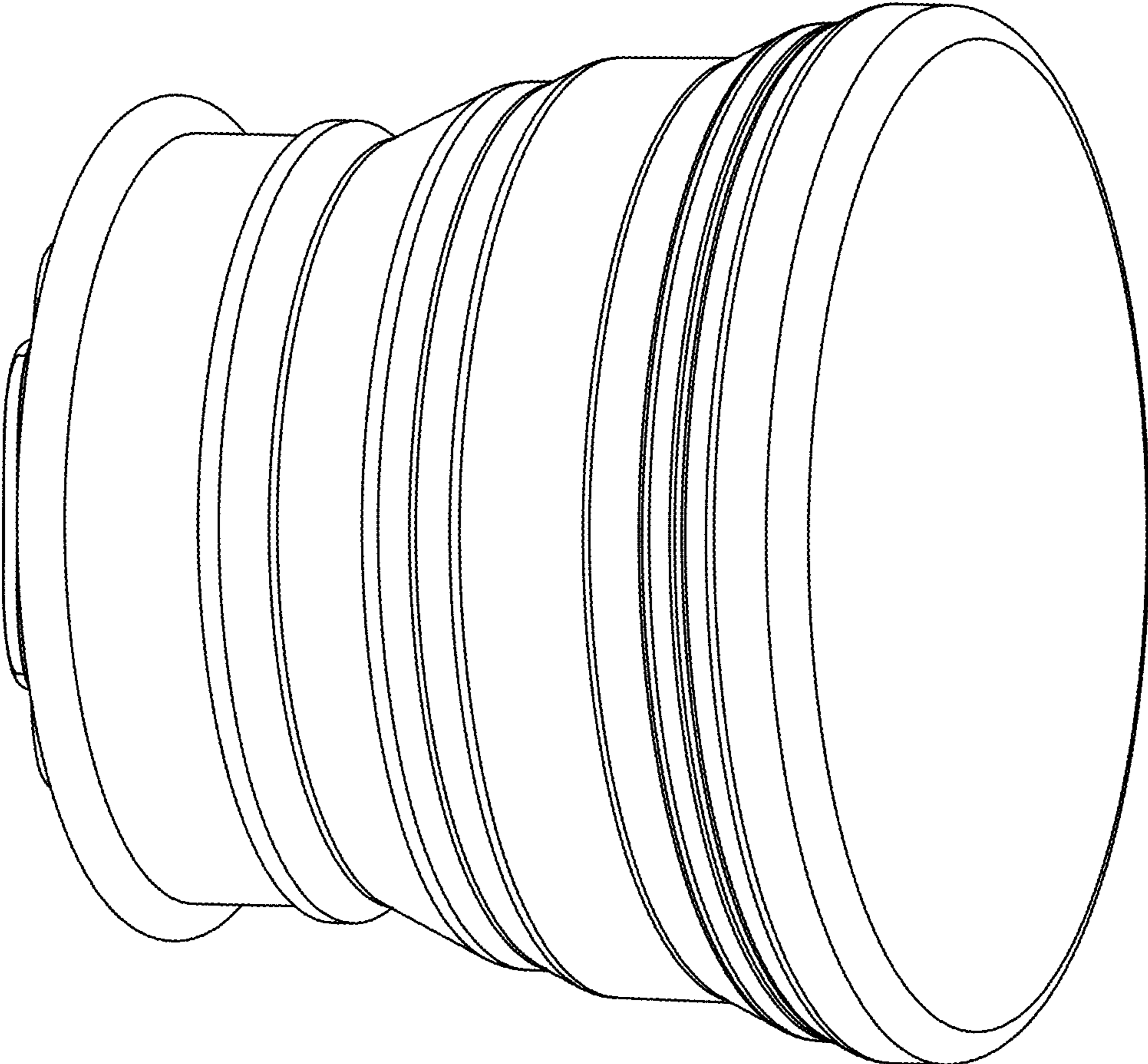


Fig. 9

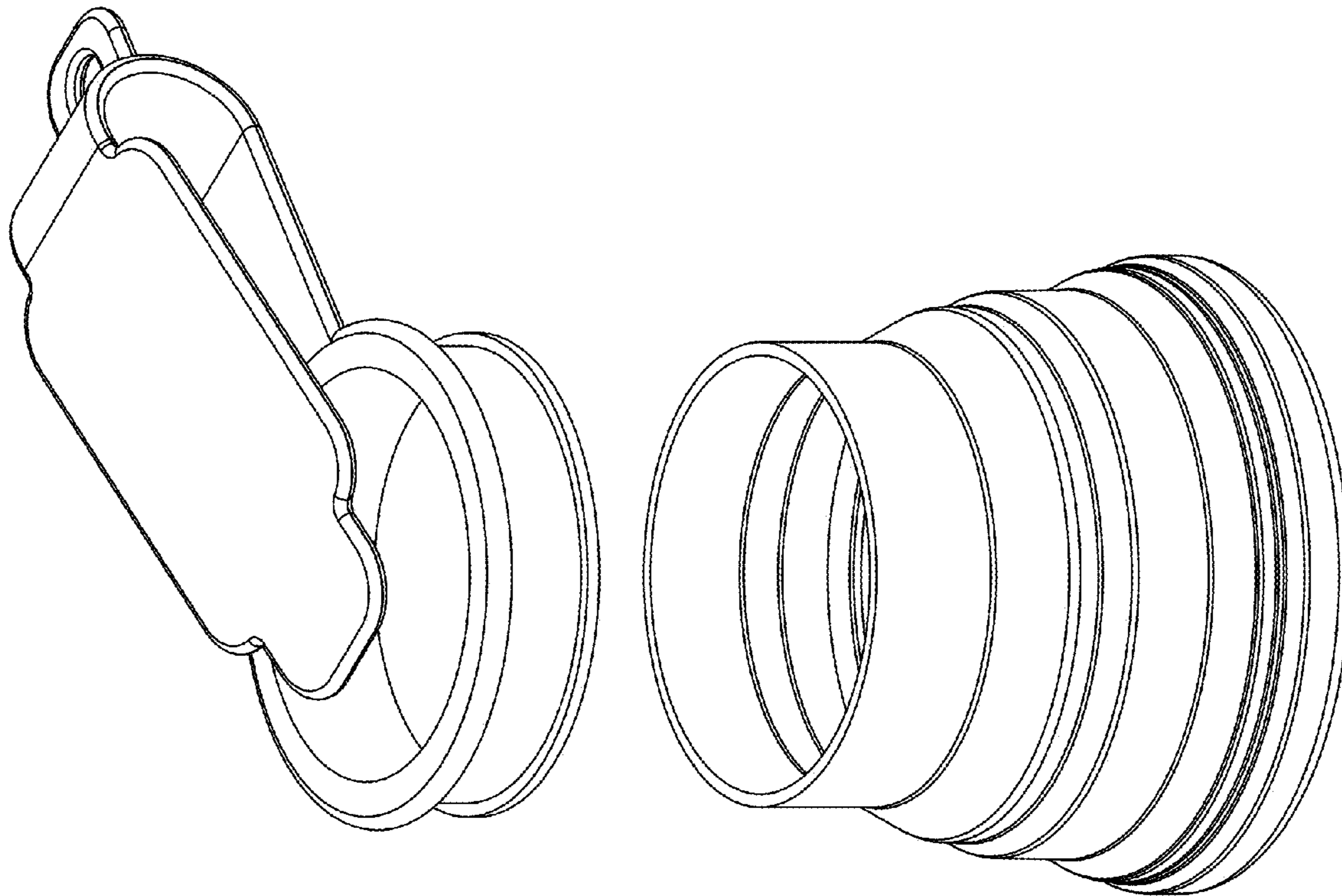
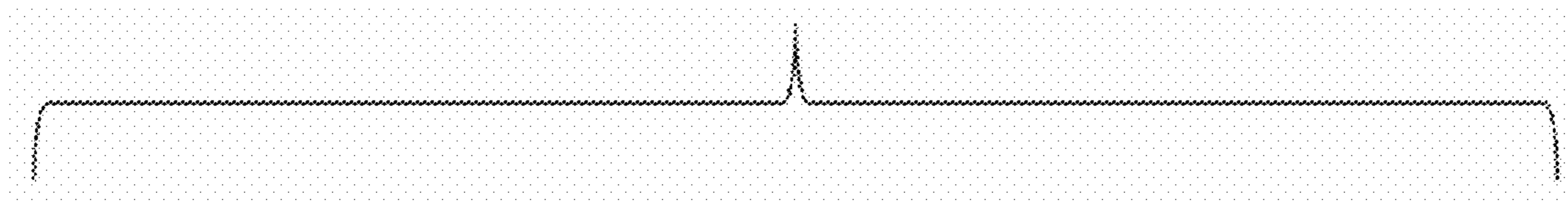


Fig. 10