



US00D967502S

(12) **United States Design Patent**  
**Liang**

(10) **Patent No.:** **US D967,502 S**  
(45) **Date of Patent:** **\*\* Oct. 18, 2022**

(54) **FLOOR LAMP AND REMOTE SET**

(71) Applicant: **Ruilong Liang**, Kaifeng (CN)

(72) Inventor: **Ruilong Liang**, Kaifeng (CN)

(\*\*) Term: **15 Years**

(21) Appl. No.: **29/806,917**

(22) Filed: **Sep. 8, 2021**

(51) **LOC (13) Cl.** ..... **26-05**

(52) **U.S. Cl.**  
USPC ..... **D26/106**

(58) **Field of Classification Search**  
USPC .... D26/24, 60, 93, 102, 104, 106, 107, 108,  
D26/110, 112

CPC .... F21S 6/00; F21S 6/002; F21S 6/003; F21S  
6/005; F21S 6/006; F21S 6/008; F21S  
8/043; F21S 8/08; F21V 21/02

See application file for complete search history.

(56) **References Cited**

**U.S. PATENT DOCUMENTS**

D854,227 S *	7/2019	Yu	.....	D26/106
D875,995 S	2/2020	Wang		
D888,321 S	6/2020	Smrstick		
D899,491 S *	10/2020	Chen	.....	D16/244
D929,643 S *	8/2021	Feng	.....	D16/244
D930,223 S *	9/2021	Ran	.....	D16/244
D938,094 S *	12/2021	Wang	.....	D26/106
D944,442 S *	2/2022	Chen	.....	D26/93
D950,125 S *	4/2022	Xia	.....	D26/106
2019/0003699 A1 *	1/2019	Mondora	.....	A45D 42/10

**OTHER PUBLICATIONS**

Anten Floor Lamp LED, <https://www.amazon.de/Anten-Standleuchten-fernbedienung-Farbtemperatur-Schlafzimmer/dp/B08K2Q8HZM>, Sep. 25, 2020 (Year: 2020).\*

\* cited by examiner

*Primary Examiner* — Richard Kearney  
*Assistant Examiner* — Benjamin M Weeks

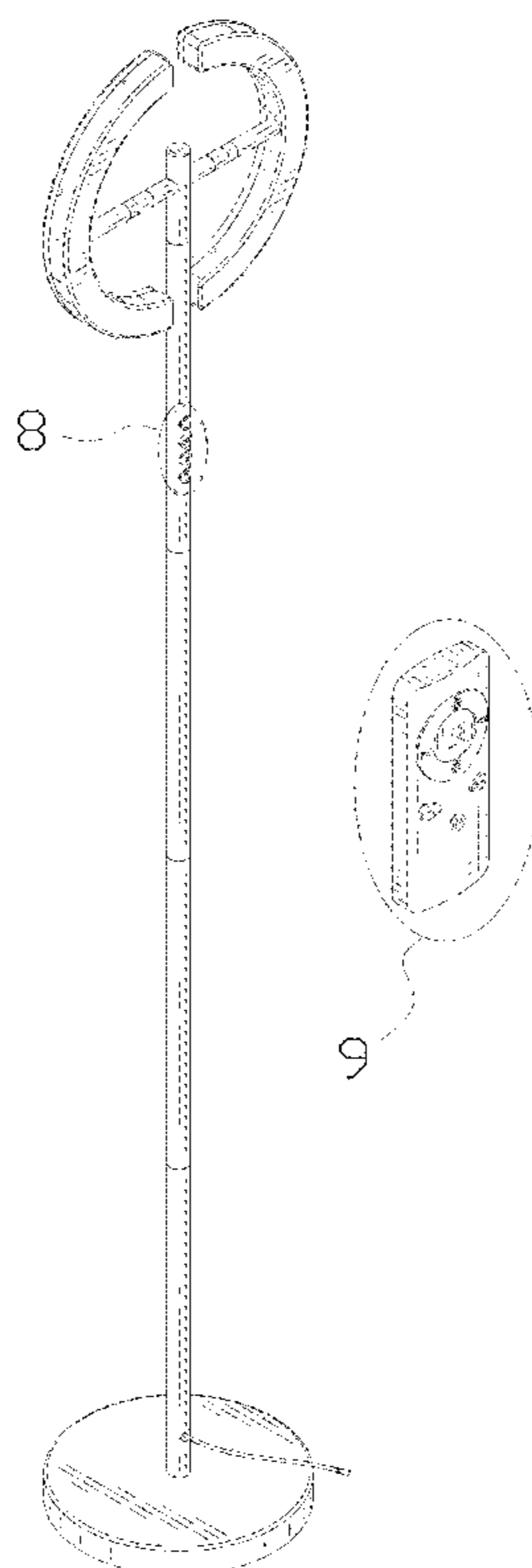
(57) **CLAIM**

The ornamental design for a floor lamp and remote set, as shown and described.

**DESCRIPTION**

FIG. 1 is a perspective view of a floor lamp and remote set showing my new design;  
FIG. 2 is a front elevational view thereof;  
FIG. 3 is a rear elevational view thereof;  
FIG. 4 is a left side elevational view thereof;  
FIG. 5 is a right side elevational view thereof;  
FIG. 6 is a top plan view thereof;  
FIG. 7 is a bottom plan view thereof;  
FIG. 8 is an enlarged view of portion 8 shown in FIG. 1; and,  
FIG. 9 is an enlarged view of portion 9 shown in FIG. 1.  
The dash-dash broken lines in the drawings depict portions of the floor lamp and remote set that form no art of the claimed design. The dot-dash broken lines represent the boundaries of the enlarged portions and form no part of the claimed design.

**1 Claim, 9 Drawing Sheets**



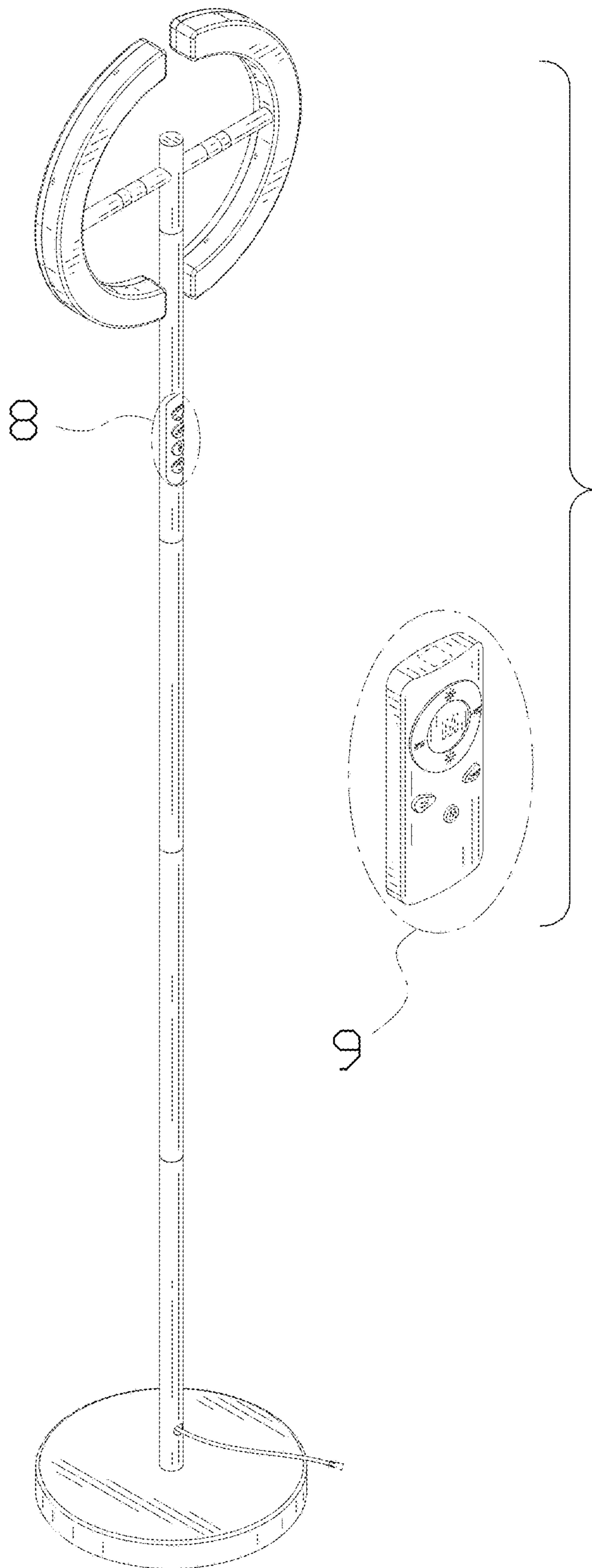


FIG. 1

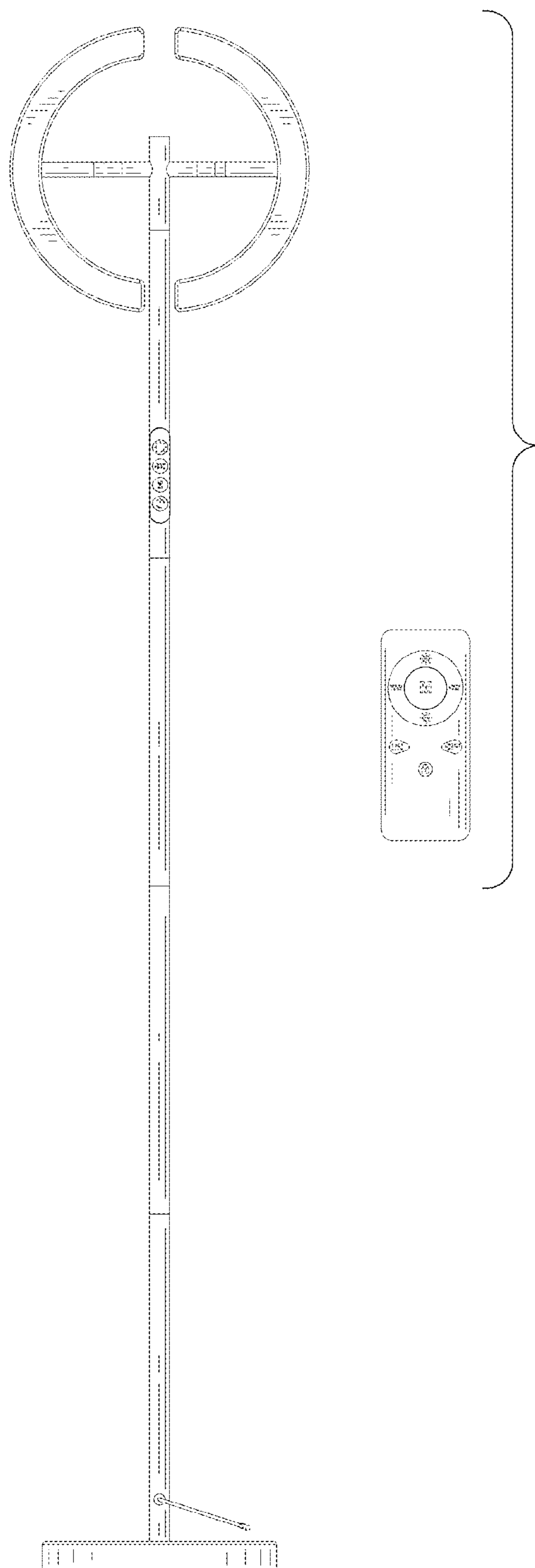


FIG. 2

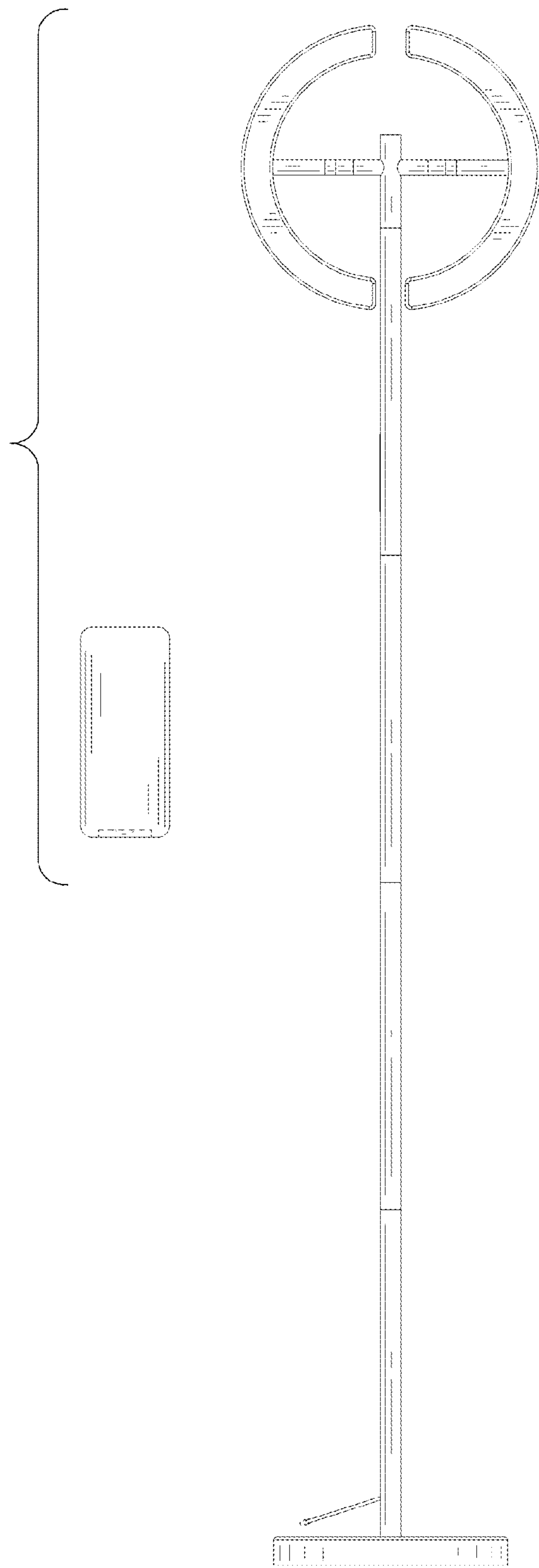


FIG. 3

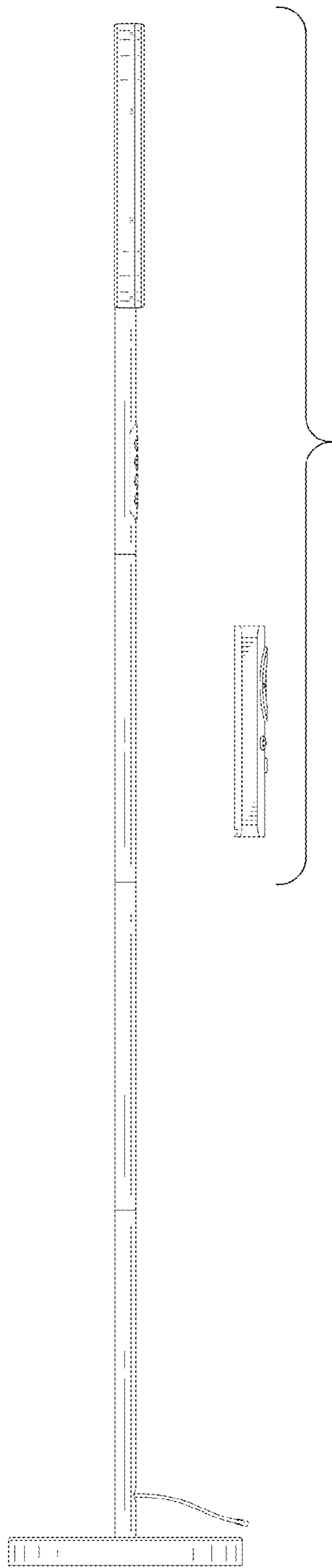


FIG. 4

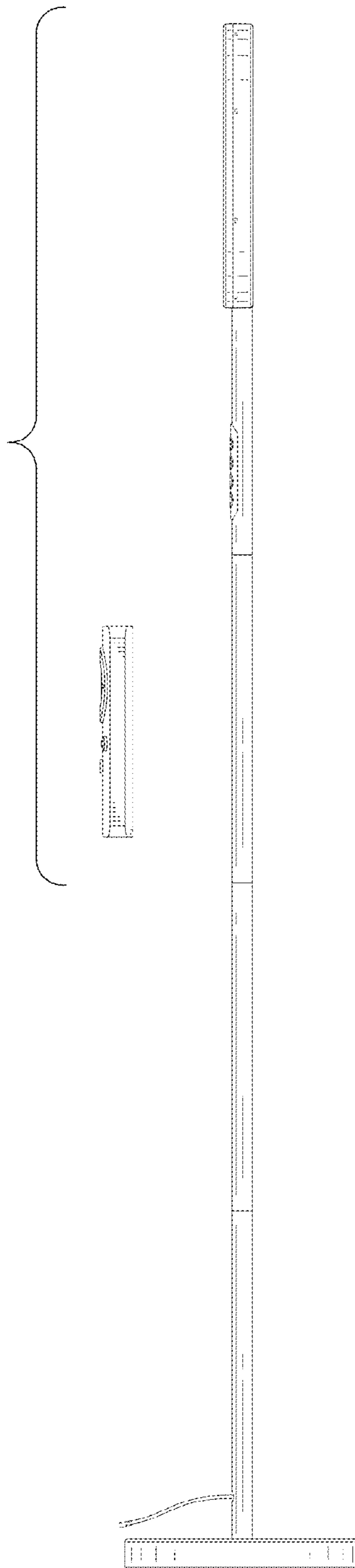


FIG. 5

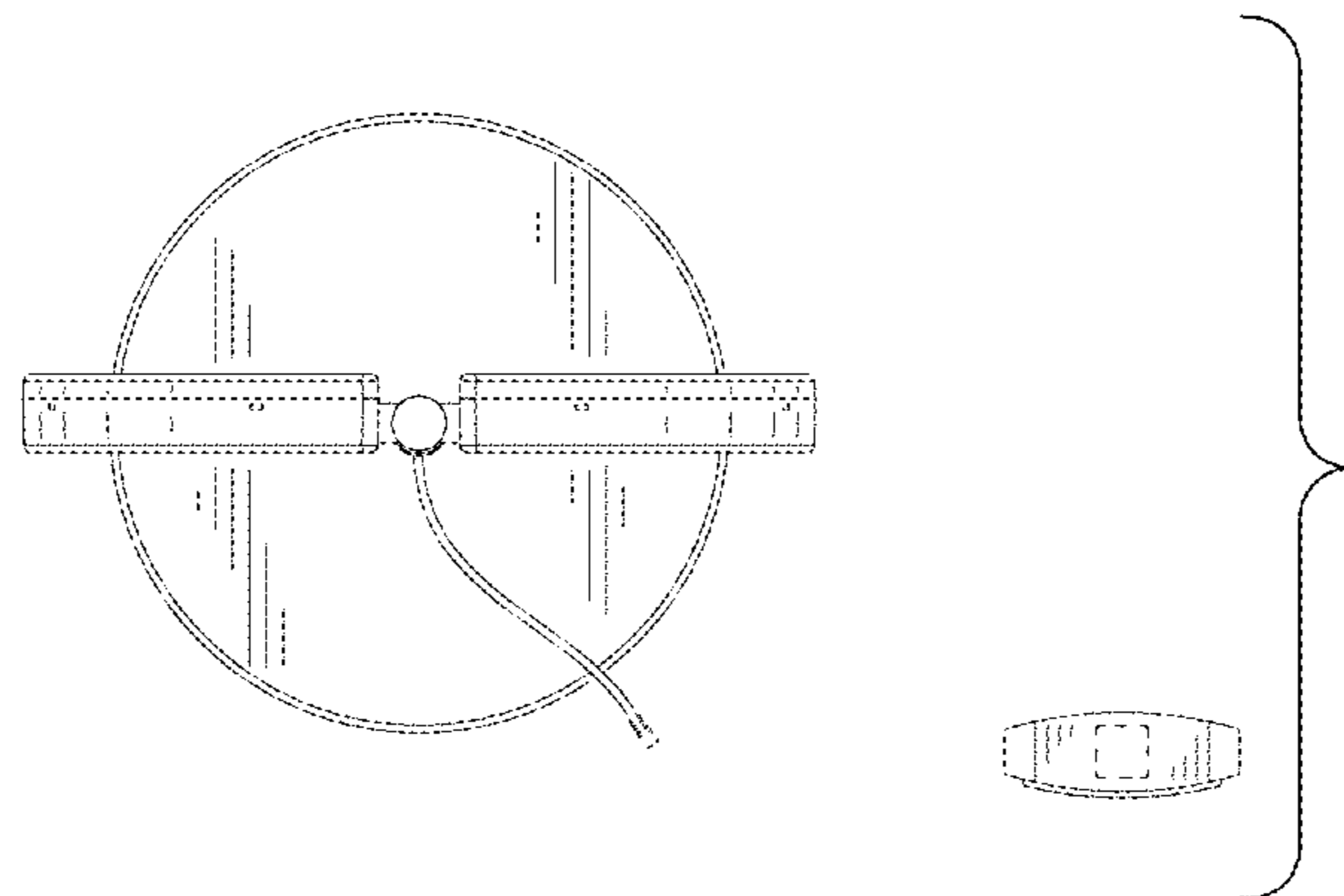


FIG. 6

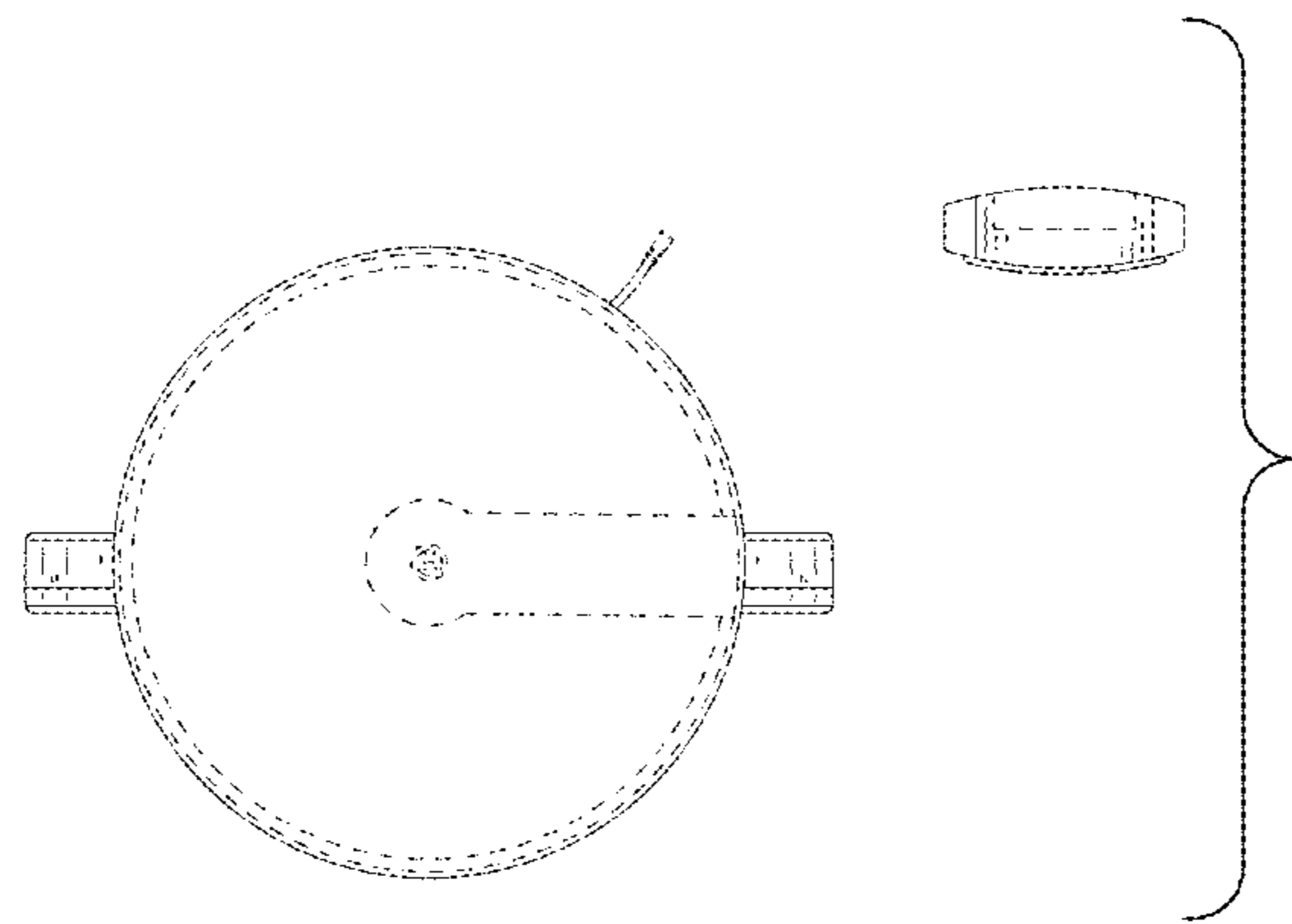


FIG. 7



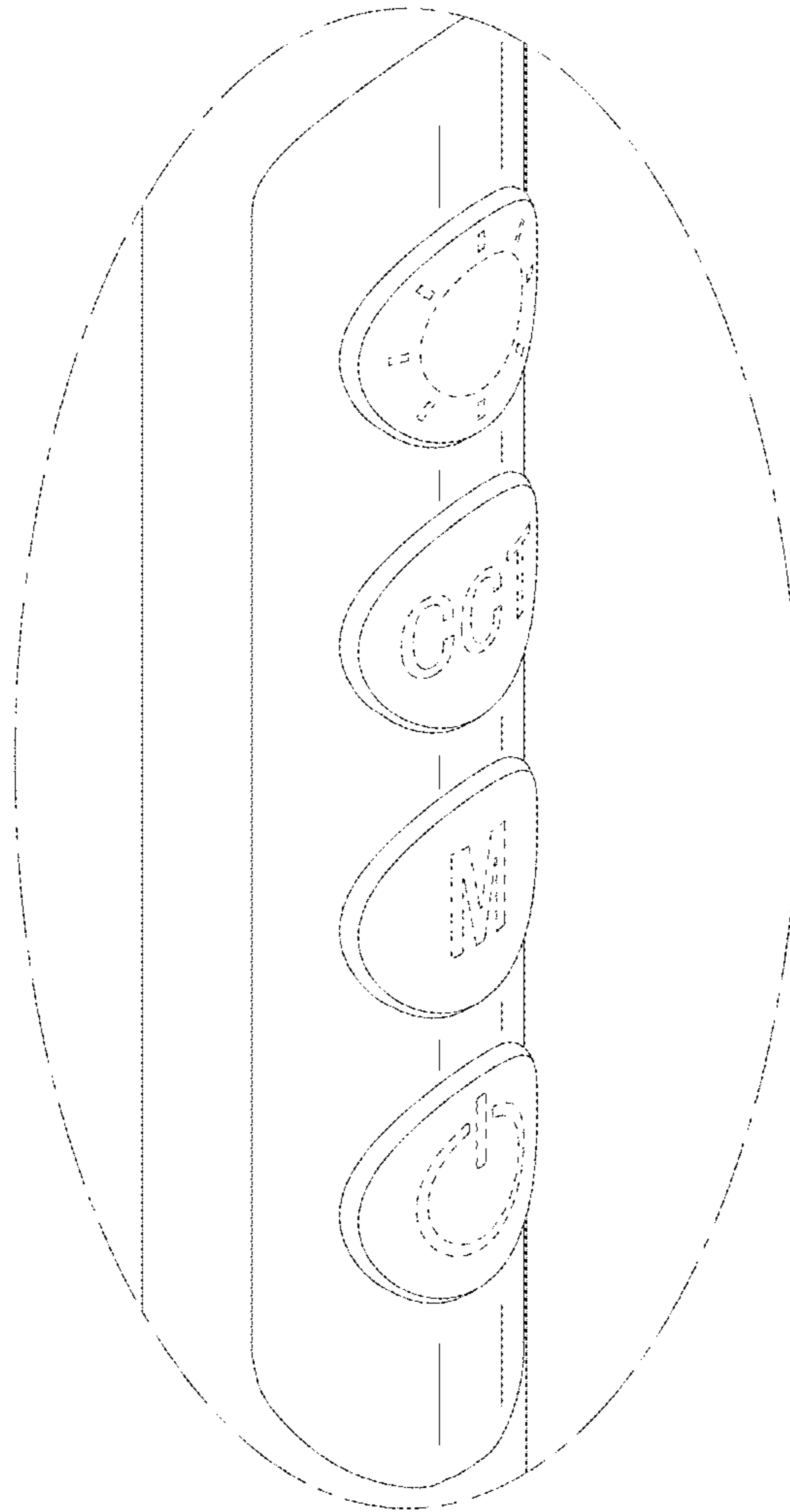


FIG. 8

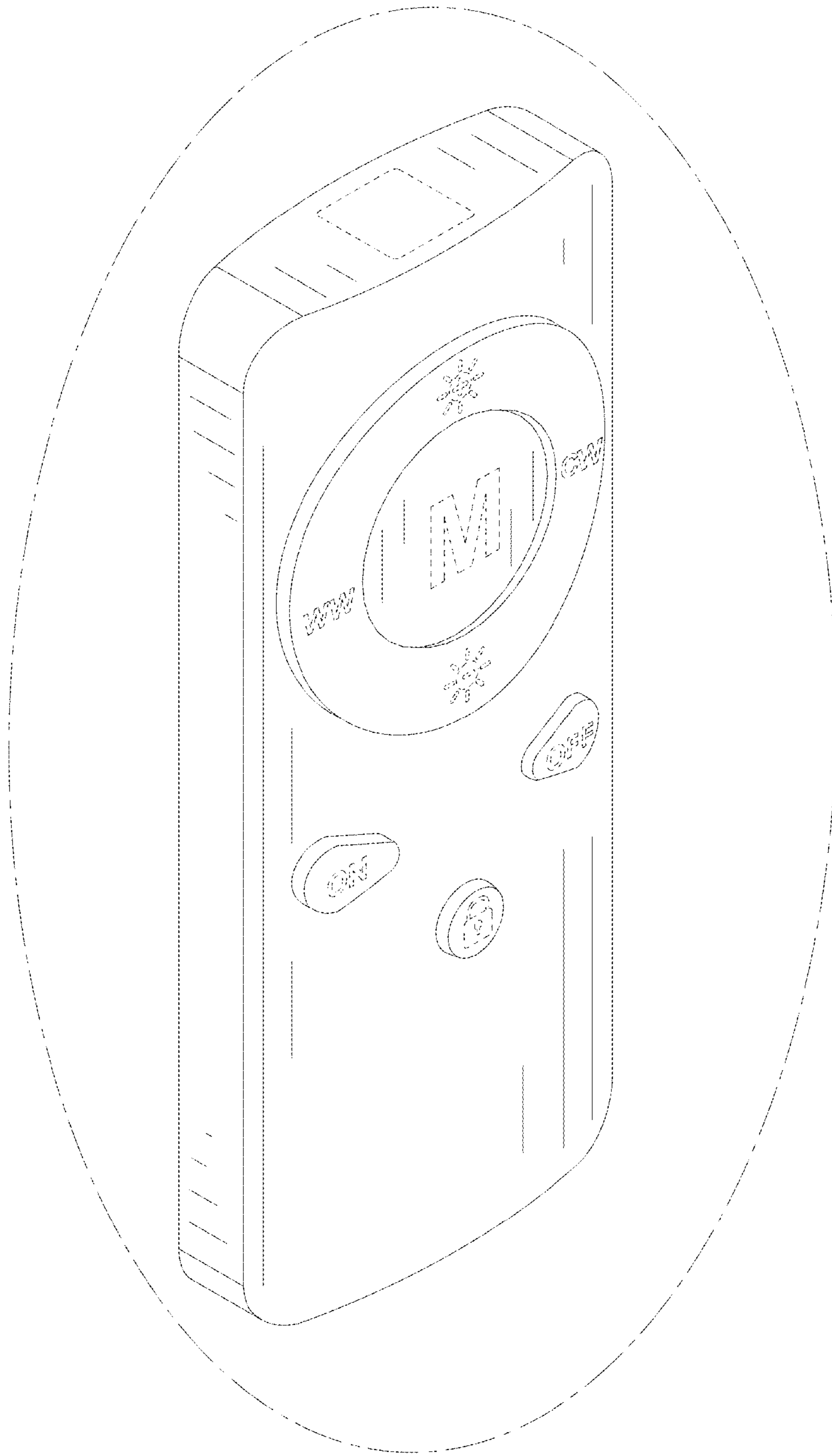


FIG. 9