

US00D967500S

(12) **United States Design Patent**
Yuan

(10) **Patent No.:** **US D967,500 S**
(45) **Date of Patent:** **** Oct. 18, 2022**

(54) **FLOOR LAMP**

(71) Applicant: **Yonglong Yuan**, Qingdao (CN)

(72) Inventor: **Yonglong Yuan**, Qingdao (CN)

(**) Term: **15 Years**

(21) Appl. No.: **29/764,347**

(22) Filed: **Dec. 29, 2020**

(51) **LOC (13) Cl.** **26-05**

(52) **U.S. Cl.**
USPC **D26/106**

(58) **Field of Classification Search**

USPC D26/24, 61, 62, 63, 65, 93, 102, 106
CPC F21S 6/00; F21S 6/002; F21S 6/004; F21S
6/005; F21S 6/008; F21S 8/08; F21V
19/0075; F21V 21/02; F21V 21/14;
F21W 2131/30

See application file for complete search history.

(56) **References Cited**

U.S. PATENT DOCUMENTS

D281,820 S *	12/1985	Oba	D26/43
D390,990 S *	2/1998	Yang	D26/62
D539,970 S *	4/2007	Waldmann	D26/107
D773,089 S *	11/2016	Glass	F21V 21/32
				D26/62
D776,850 S *	1/2017	Hodgson	D26/62
D800,953 S *	10/2017	Zandée	D26/107
D822,266 S *	7/2018	Jiang	D26/107
D822,267 S *	7/2018	Yao	D26/107
D822,880 S *	7/2018	Hodgson	D26/108

FOREIGN PATENT DOCUMENTS

CN	306014344	*	8/2020
CN	306483404	*	4/2021
CN	306896560	*	10/2021
KR	300749576.0000	*	6/2014

OTHER PUBLICATIONS

RAOYI LED Desk Lamp, available in <https://www.amazon.com/>, posted: Sep. 6, 2017 [online], [site visited Jul. 13, 2022], Internet URL: https://www.amazon.com/dp/B075FKJTXG/ref=sspa_dk_detail_2?pf_rd_p=3481f441-61ac-4028-9c1a-7f9ce8ec50c5&pf_rd_r=SY511JPCZAYWYAM%E2%80%A6 (Year: 2020).*

(Continued)

Primary Examiner — Samantha Wood
Assistant Examiner — Alex T. Milbrath

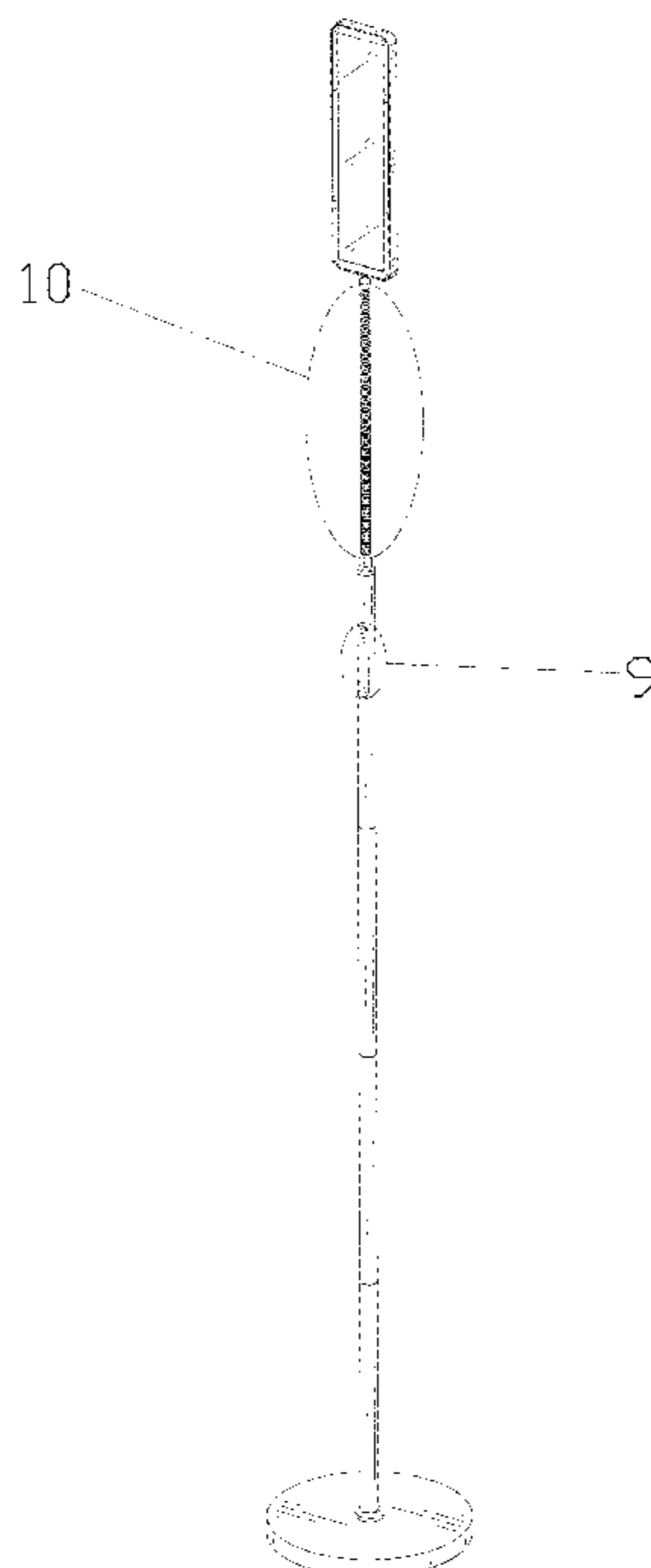
(57) **CLAIM**

The ornamental design for a floor lamp, as shown and described.

DESCRIPTION

FIG. 1 is a perspective view of a floor lamp showing my new design;
FIG. 2 is another perspective view thereof;
FIG. 3 is a front elevational view thereof;
FIG. 4 is a rear elevational view thereof;
FIG. 5 is a left side elevational view thereof;
FIG. 6 is a right side elevational view thereof;
FIG. 7 is a top plan view thereof;
FIG. 8 is a bottom plan view thereof;
FIG. 9 is an enlarged view of portion 9 shown in FIG. 1;
FIG. 10 is an enlarged view of portion 10 shown in FIG. 1;
FIG. 11 is an enlarged view of portion 11 shown in FIG. 2;
and,
FIG. 12 is an enlarged view of portion 12 shown in FIG. 3.
The broken lines in the drawings depict portions of the floor lamp that form no part of the claimed design.

1 Claim, 12 Drawing Sheets



(56)

References Cited

OTHER PUBLICATIONS

NXONE Led Floor Lamp, available in <https://www.amazon.com/>, posted: Sep. 22, 2020 [online], [site visited Jul. 13, 2022], Internet URL: https://www.amazon.com/dp/B08JQDJJ5N/ref=sspa_dk_detail_0?pd_rd_i=B08JQDJJ5N&pd_rd_w=RnWSy&content-id=amzn1.sym.210c08c1-44f7-%E2%80%A6/13 (Year: 2020).*

Syrinx Floor Lamp, available in <https://www.amazon.com/>, posted: Mar. 30, 2018 [online], [site visited Jul. 13, 2022], Internet URL: https://www.amazon.com/dp/B079STZ3BP/ref=sspa_dk_detail_4?pf_rd_p=3481f441-61ac-4028-9c1a-7f9ce8ec50c5&pf_rd_r=RM5GVX9DX871BEP%E2%80%A6 (Year: 2018).*

Tenergy LED Floor Lamp, available in <https://www.amazon.com/>, posted: Apr. 6, 2018 [online], [site visited Jul. 13, 2022], Internet URL: https://www.amazon.com/dp/B07BZDRH5Z/ref=sspa_dk_detail_4?psc=1&pf_rd_p=25e96bbe-93d6-4790-9c18-ab0bc96db737&pf_rd_r=QKVZFAP2%E2%80%A6 (Year: 2018).*

* cited by examiner

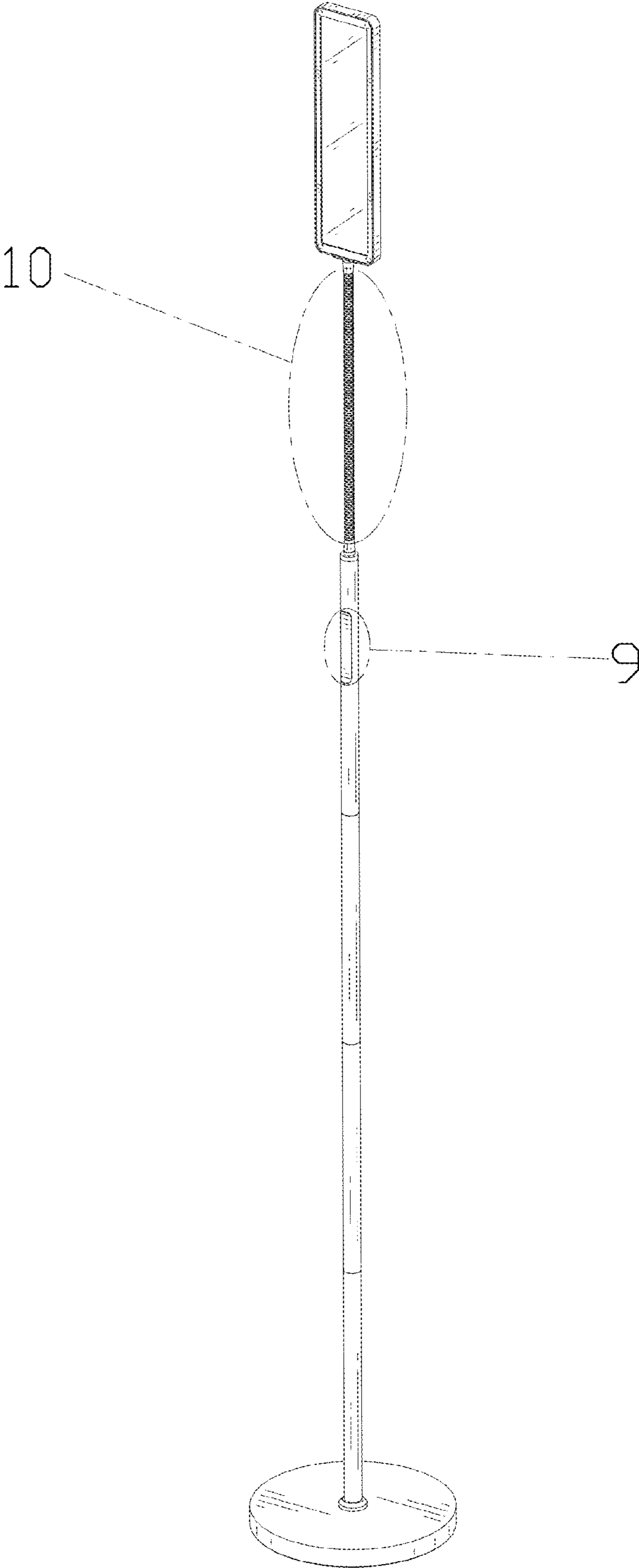


FIG. 1

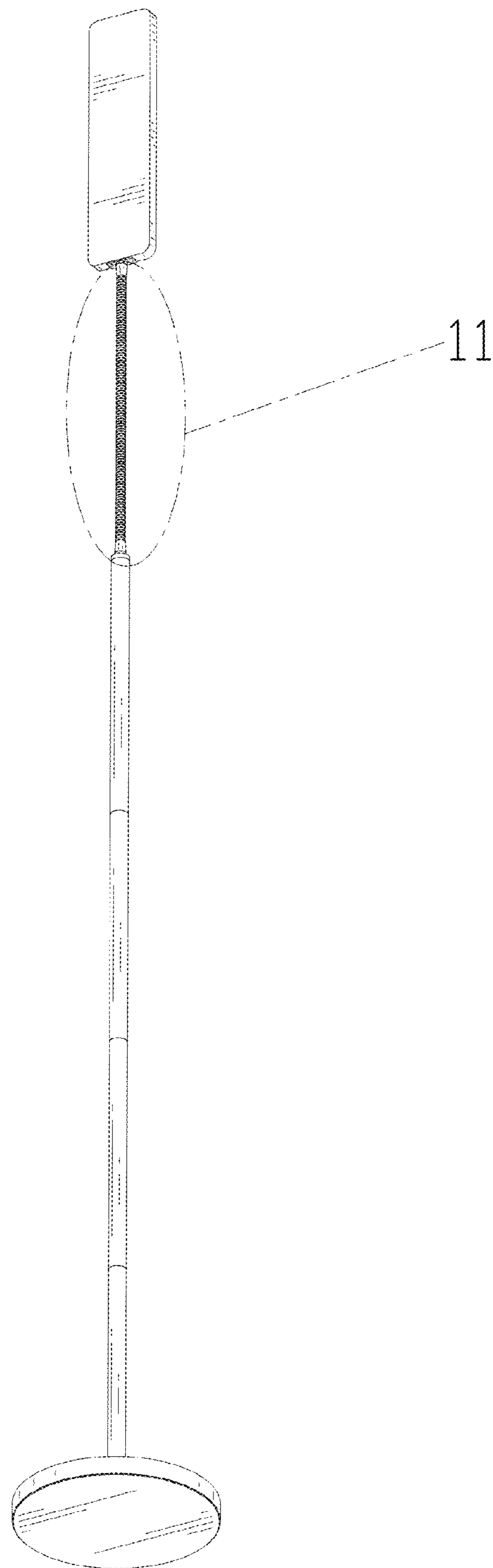


FIG. 2

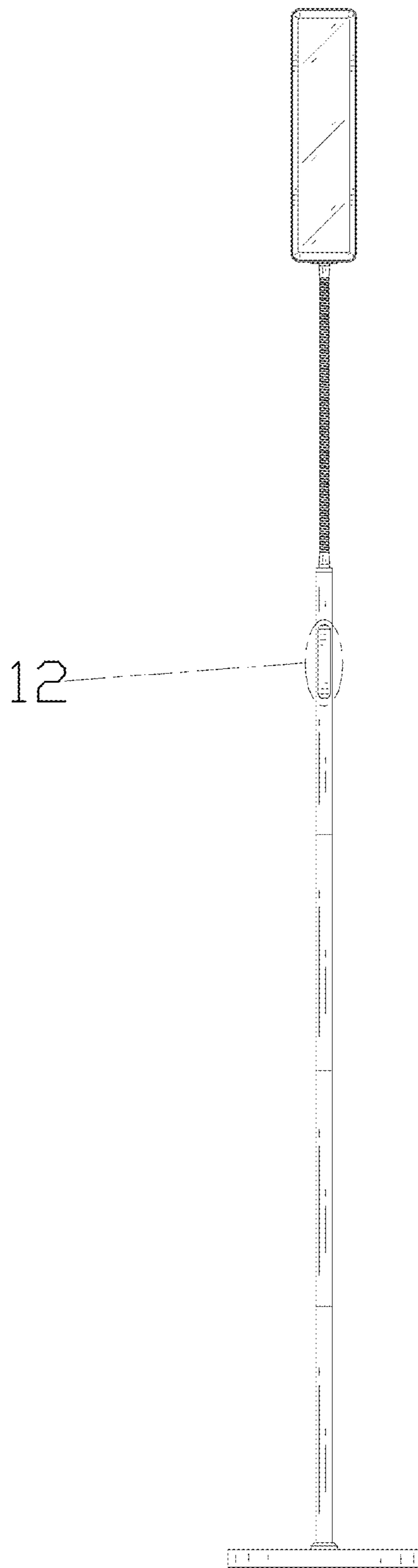


FIG. 3

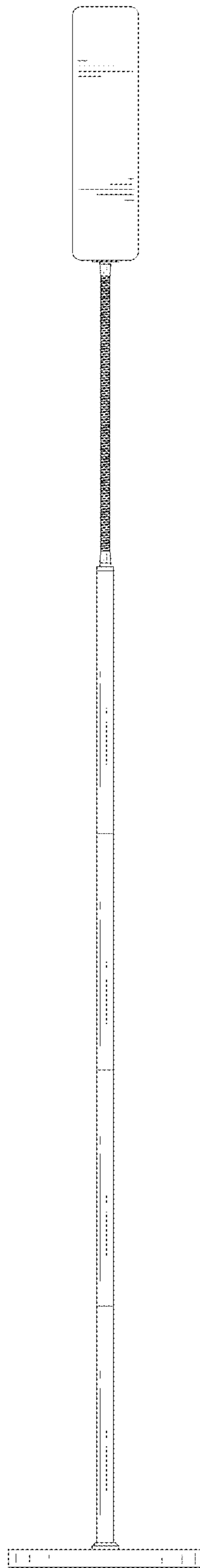


FIG. 4

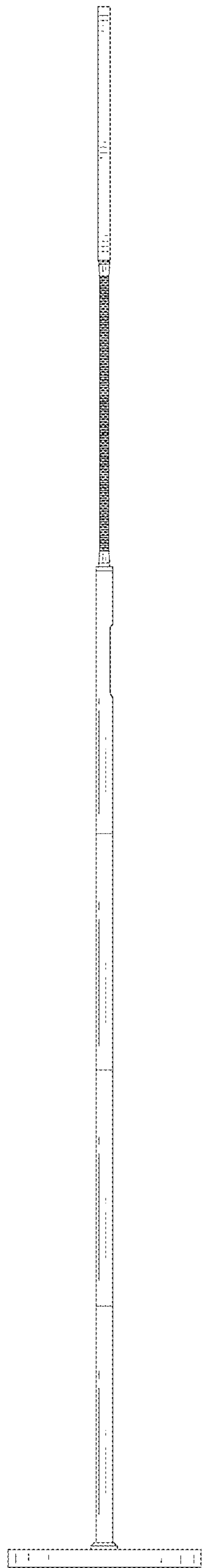


FIG. 5

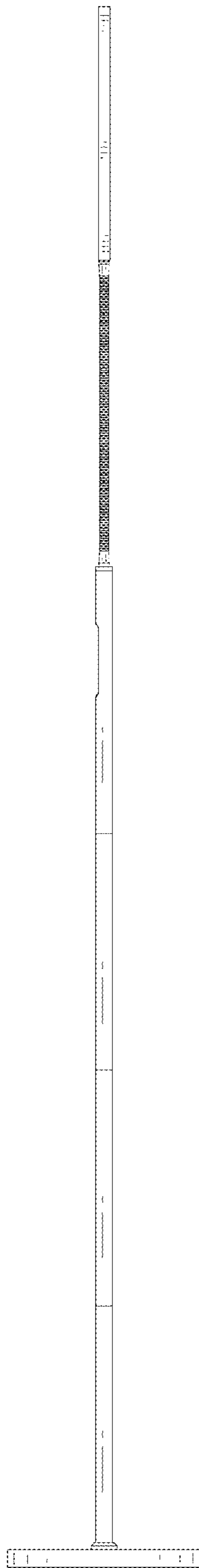


FIG. 6

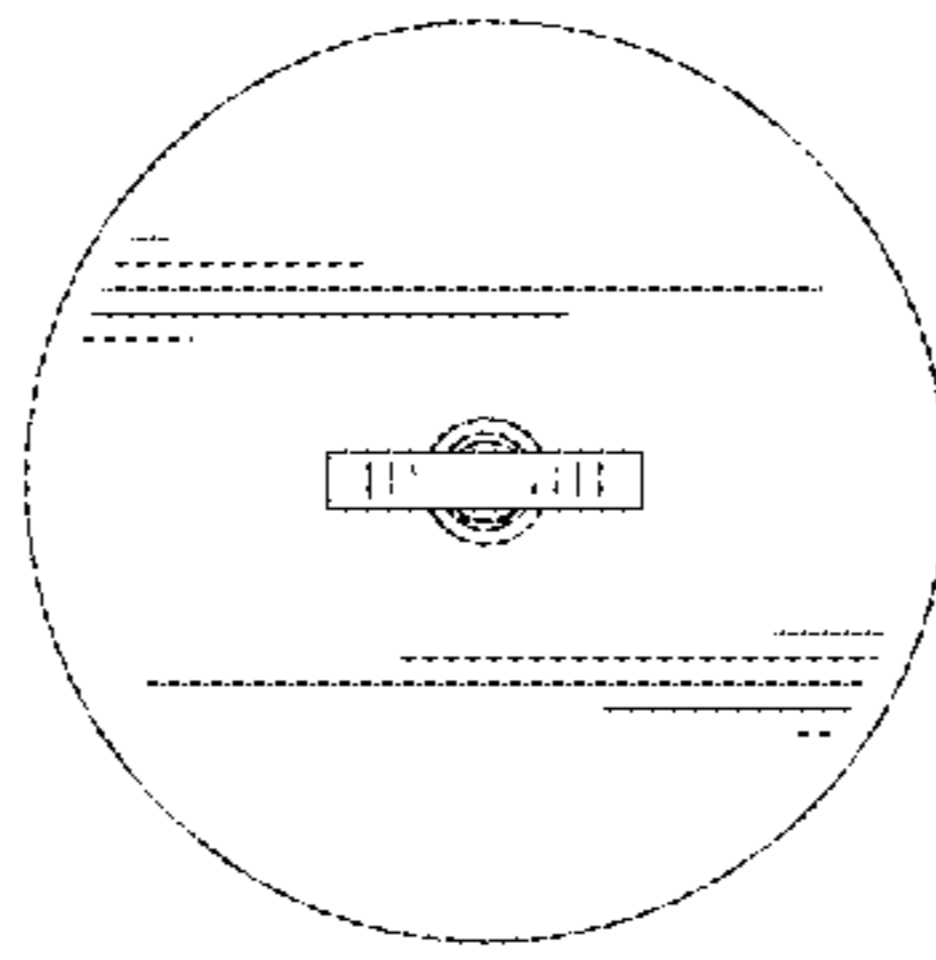


FIG. 7

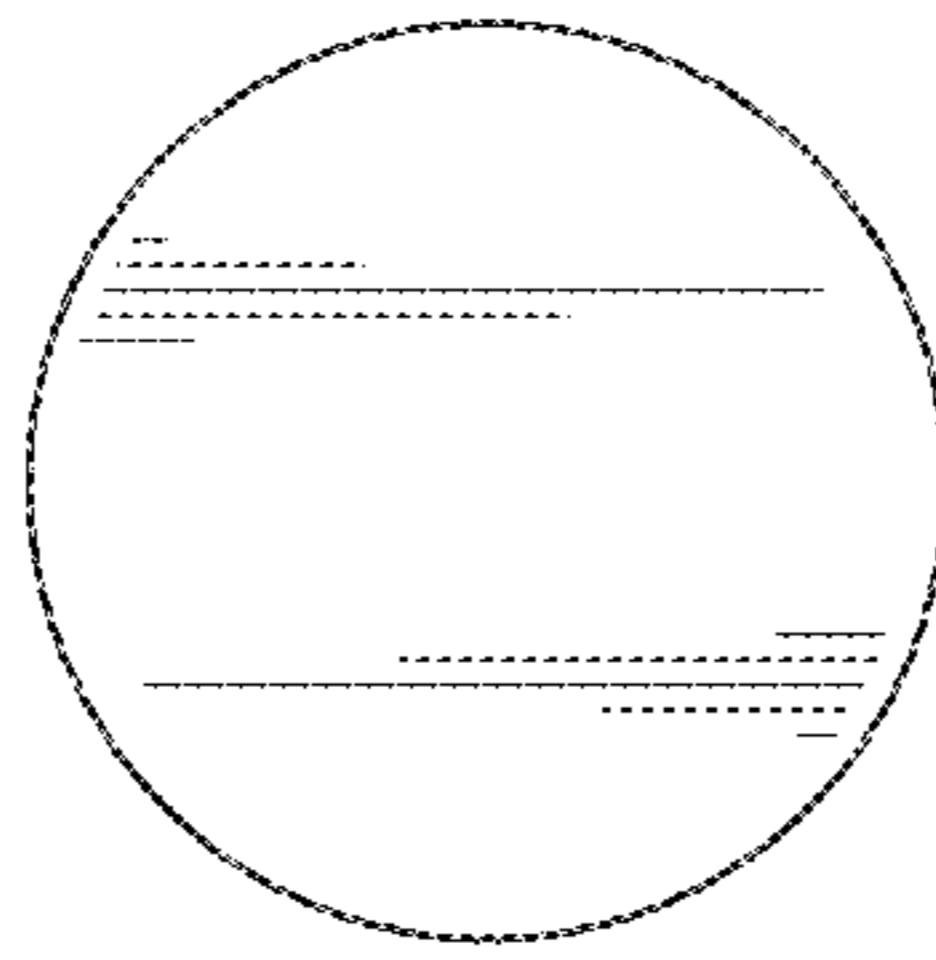


FIG. 8

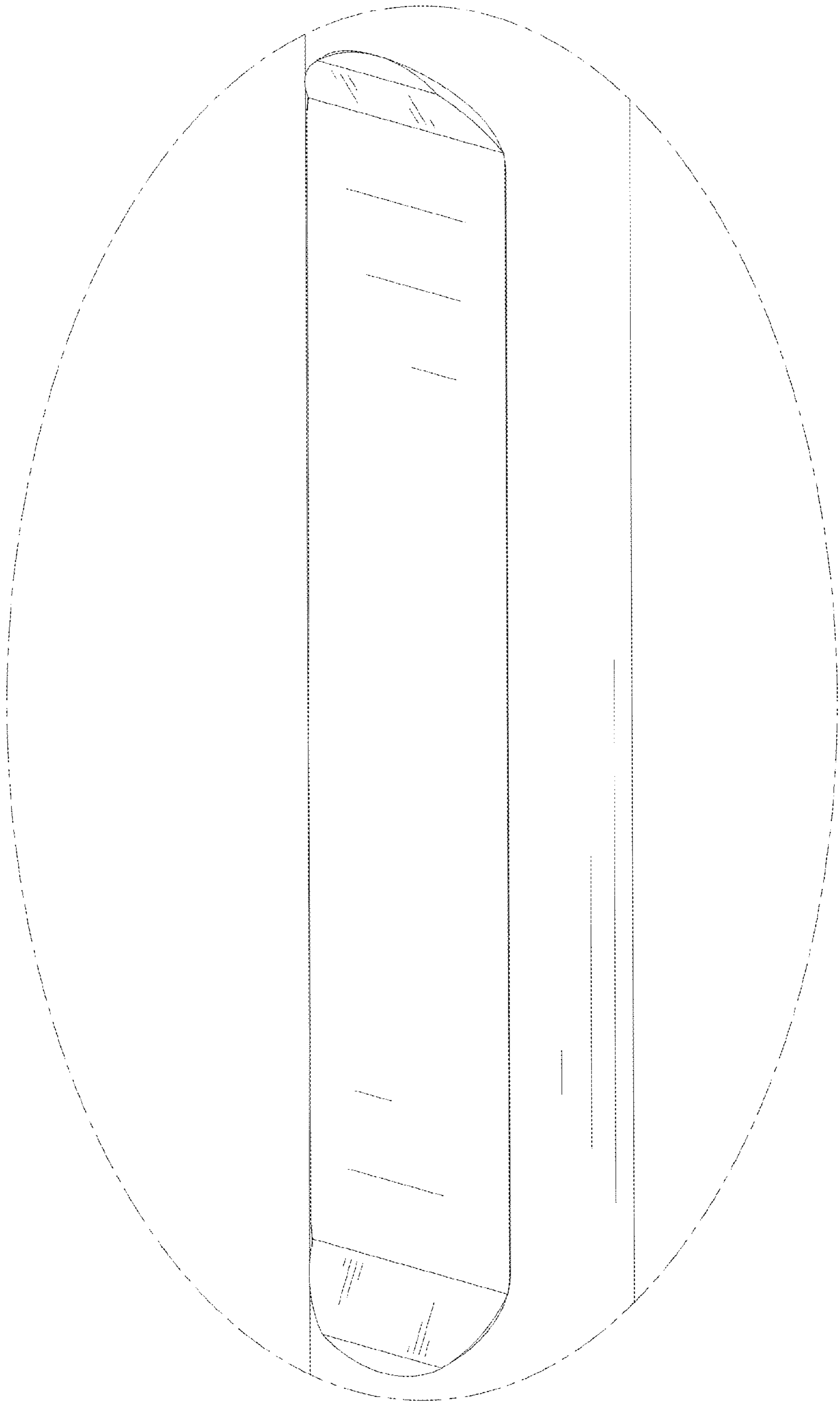


FIG. 9

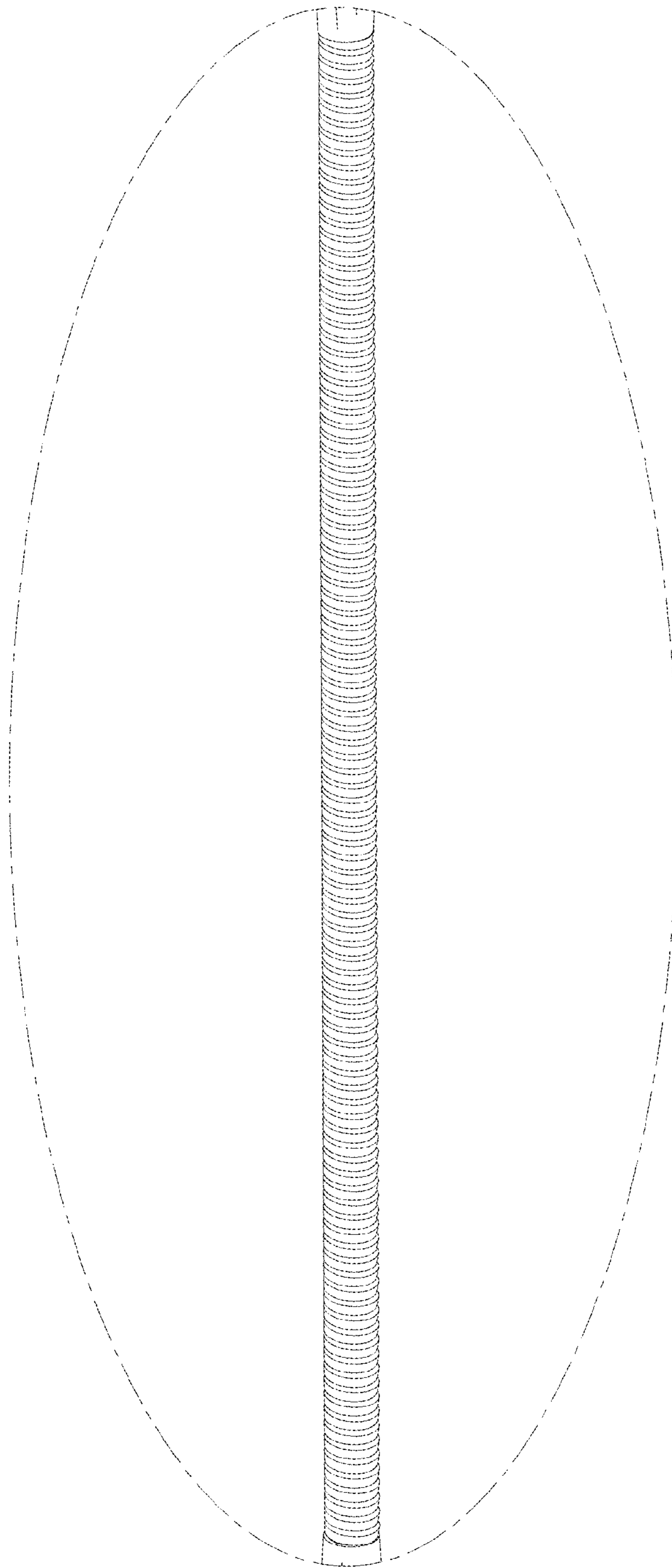


FIG. 10

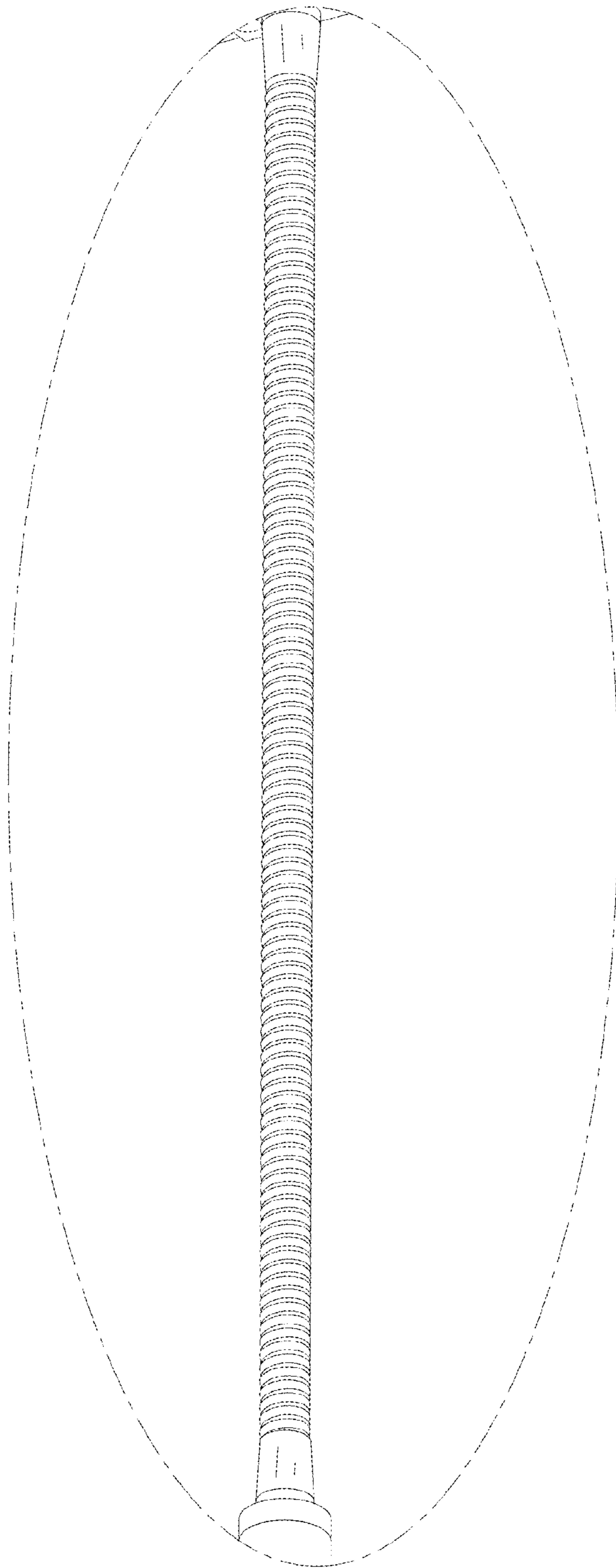


FIG. 11

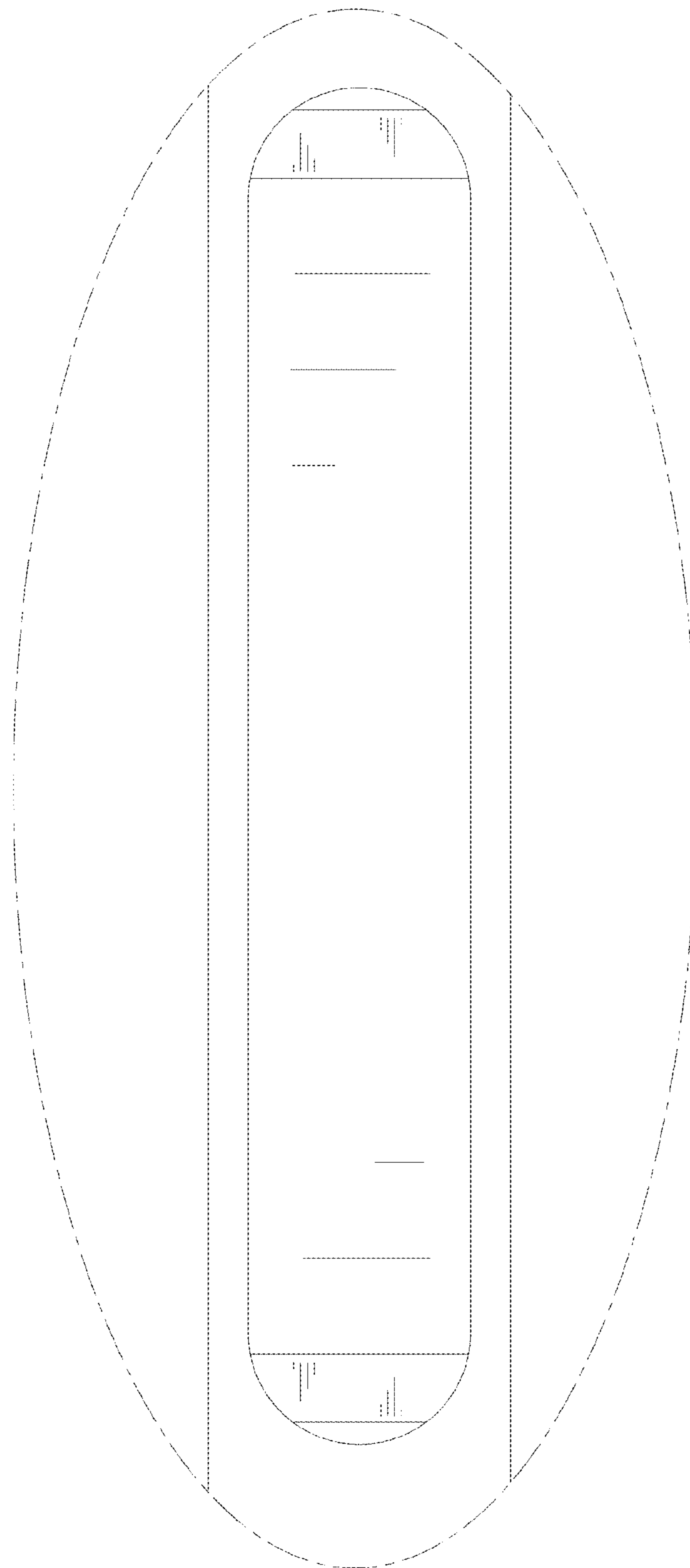


FIG. 12