



US00D967499S

(12) **United States Design Patent**
Yi

(10) **Patent No.:** **US D967,499 S**

(45) **Date of Patent:** **** Oct. 18, 2022**

(54) **NIGHT LIGHT**

(71) Applicant: **Shenzhen Flashine Lighting Co., LTD.**, Shenzhen (CN)

(72) Inventor: **Shenhui Yi**, Shenzhen (CN)

(73) Assignee: **SHENZHEN FLASHINE LIGHTING CO., LTD.**, Shenzhen (CN)

(**) Term: **15 Years**

(21) Appl. No.: **29/745,407**

(22) Filed: **Aug. 5, 2020**

(30) **Foreign Application Priority Data**

May 27, 2020 (CN) 202030253471.X

(51) **LOC (13) Cl.** **26-05**

(52) **U.S. Cl.**

USPC **D26/104**; D14/216

(58) **Field of Classification Search**

USPC D26/24, 60, 93, 104, 106, 108, 110, 112;
D14/216, 299

CPC F21S 6/00; F21S 6/002; F21S 8/033; F21S
9/02; F21V 33/0056; F21V 37/00; G06F
3/01; G06F 3/16; H04R 1/02; H04R 9/06;
H04R 11/02

See application file for complete search history.

(56) **References Cited**

U.S. PATENT DOCUMENTS

D561,925 S *	2/2008	Levine	D26/72
D588,291 S *	3/2009	VanderWoude	D26/37
D605,337 S *	12/2009	Zhang	D26/104
D647,227 S *	10/2011	Kaule	D26/24
D769,225 S *	10/2016	Hua	D14/216
10,030,855 B1 *	7/2018	Khubani	F21L 4/027
D828,606 S *	9/2018	Johnson	D26/80
D831,268 S *	10/2018	Johnson	D26/113
D840,582 S *	2/2019	Liu	D26/104

D841,222 S *	2/2019	Johnson	D26/80
D866,815 S *	11/2019	Wang	D26/24
D867,625 S *	11/2019	Khubani	H04R 31/006 D26/24
D870,325 S *	12/2019	Zheng	D26/24
D879,053 S *	3/2020	Yu	D14/218
D888,688 S *	6/2020	Xie	D14/216
D891,675 S *	7/2020	Liu	D26/85
D900,353 S *	10/2020	Yi	D26/24
D917,092 S *	4/2021	Zhang	D26/110

(Continued)

FOREIGN PATENT DOCUMENTS

CN 306067604 * 9/2020

OTHER PUBLICATIONS

Letsfit Sound Machine White Noise Machine by Honbow, Oct. 9, 2021, YouTube, site visited Jul. 1, 2022, url: <https://www.youtube.com/watch?v=jTXVVYwY8v4> (Year: 2019).*

(Continued)

Primary Examiner — T Chase Nelson

Assistant Examiner — Rachel Wolfe

(74) *Attorney, Agent, or Firm* — Cheng-Ju Chiang

(57) **CLAIM**

The ornamental design for a night light, as shown and described.

DESCRIPTION

FIG. 1 is a front elevational view of a night light showing my new design;

FIG. 2 is a rear elevational view thereof;

FIG. 3 is a left side elevational view thereof;

FIG. 4 is a right side elevational view thereof;

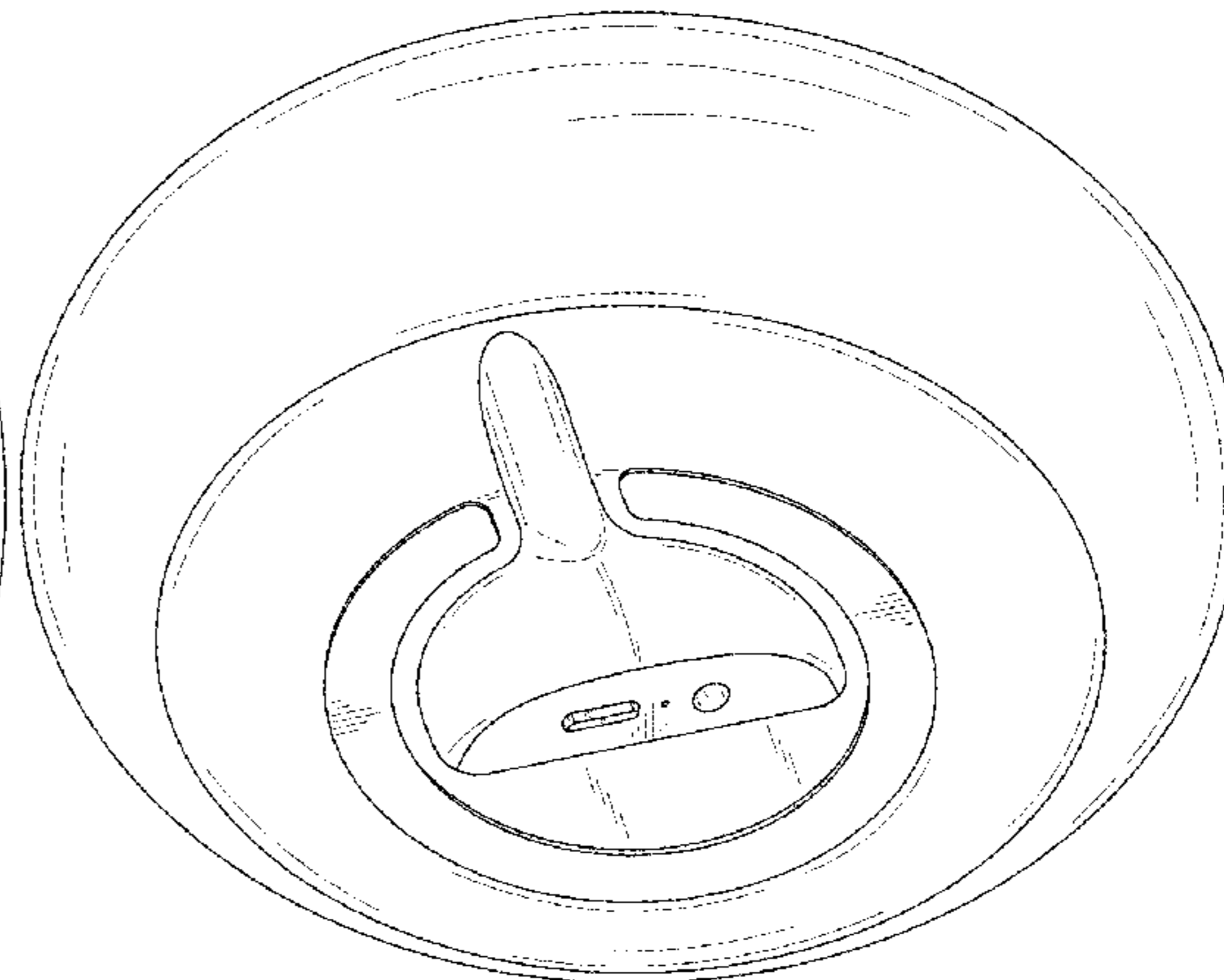
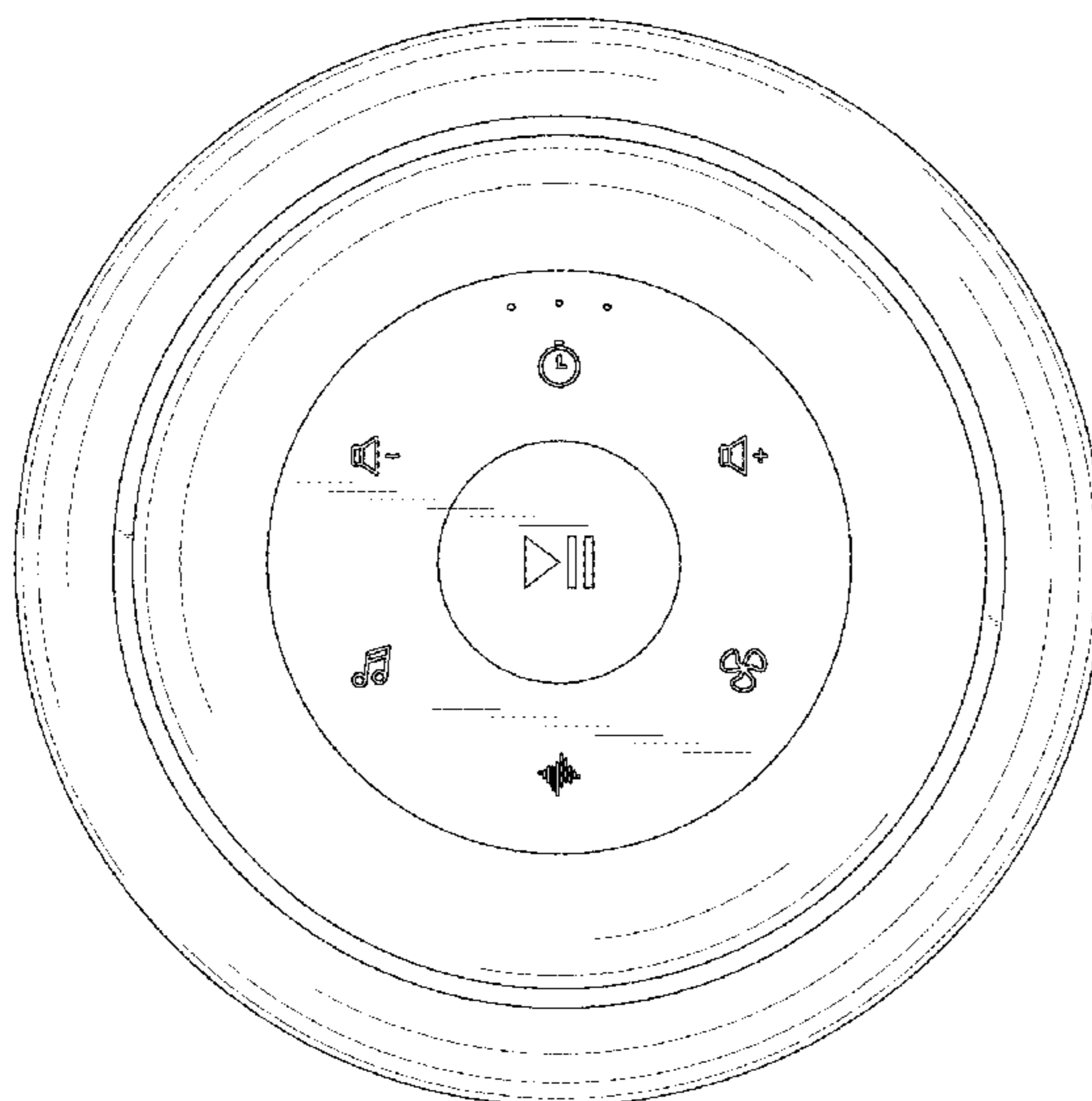
FIG. 5 is a top plan view thereof;

FIG. 6 is a bottom plan view thereof;

FIG. 7 is a first perspective view thereof; and,

FIG. 8 is second perspective view thereof.

1 Claim, 5 Drawing Sheets



(56)

References Cited

U.S. PATENT DOCUMENTS

D931,834 S * 9/2021 Han F21L 4/027
D14/216
D932,424 S * 10/2021 Zhao D13/103
D933,046 S * 10/2021 Huang D14/496
D935,641 S * 11/2021 Zhou D24/231
D935,646 S * 11/2021 Huang D26/24
D936,272 S * 11/2021 Johnson D26/89
2020/0204909 A1 * 6/2020 Stanley H04R 31/006

OTHER PUBLICATIONS

Jack & Rose White Noise Machine Night Light, Aug. 3, 2020, Amazon.com, site visited Jul. 1, 2022, url: <https://www.amazon.com/dp/B08F4T2J9R> (Year: 2020).*

Sizi White Noise Machine Night Light, Sep. 4, 2020, Amazon.in, site visited Jul. 1, 2022, url: <https://www.amazon.in/dp/B08D91FB6Z> (Year: 2020).*

* cited by examiner

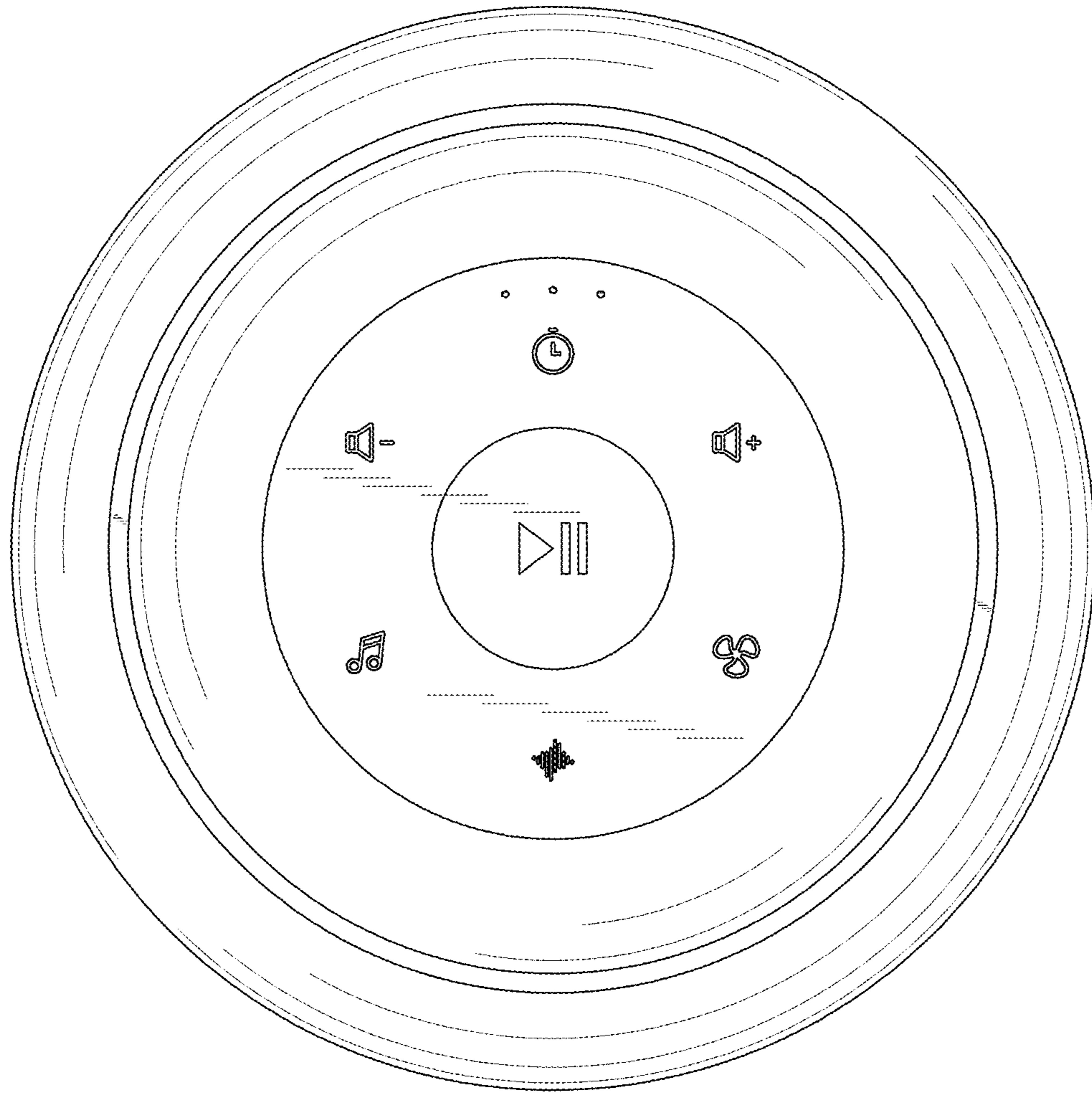


FIG.1

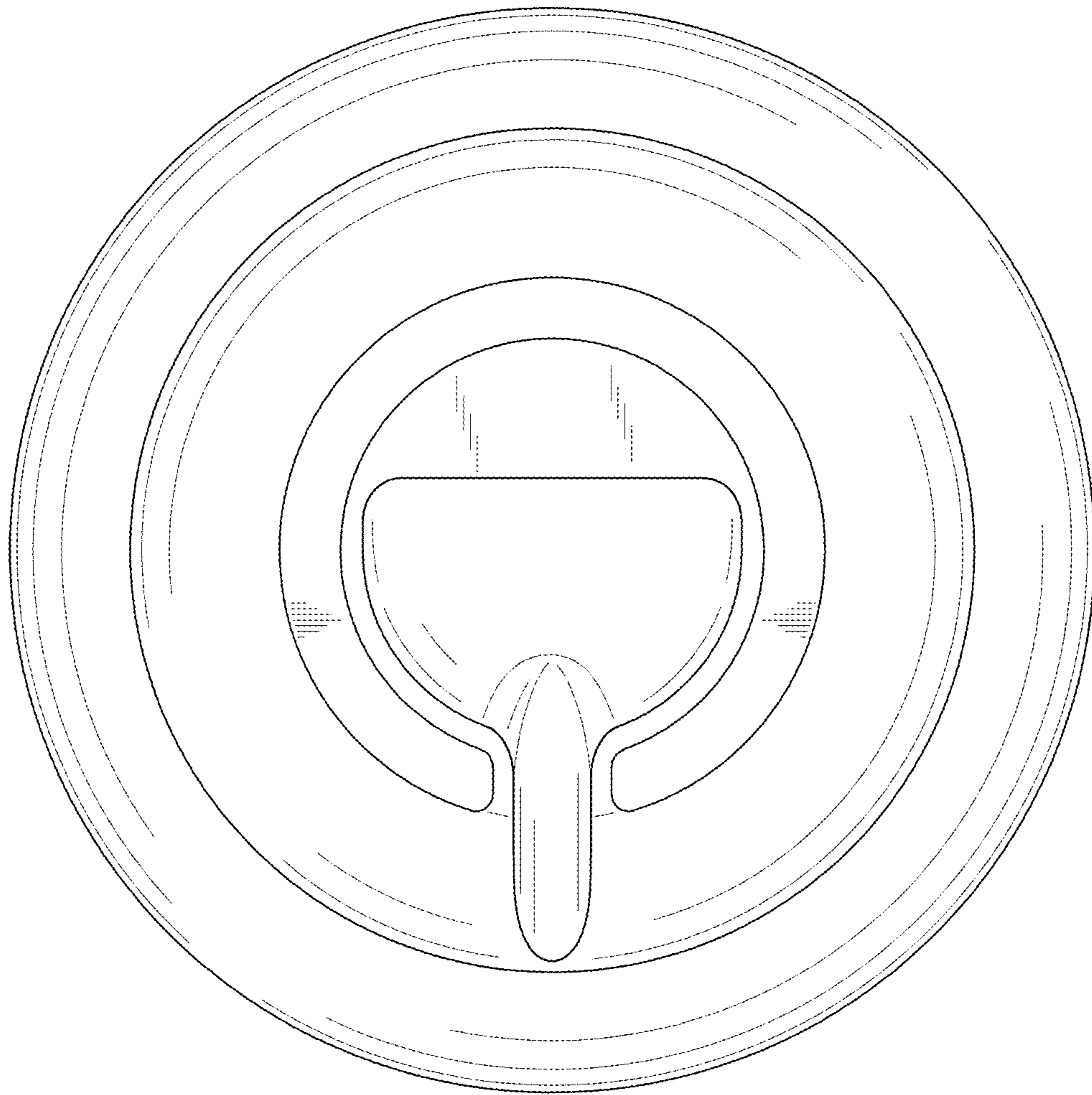


FIG.2

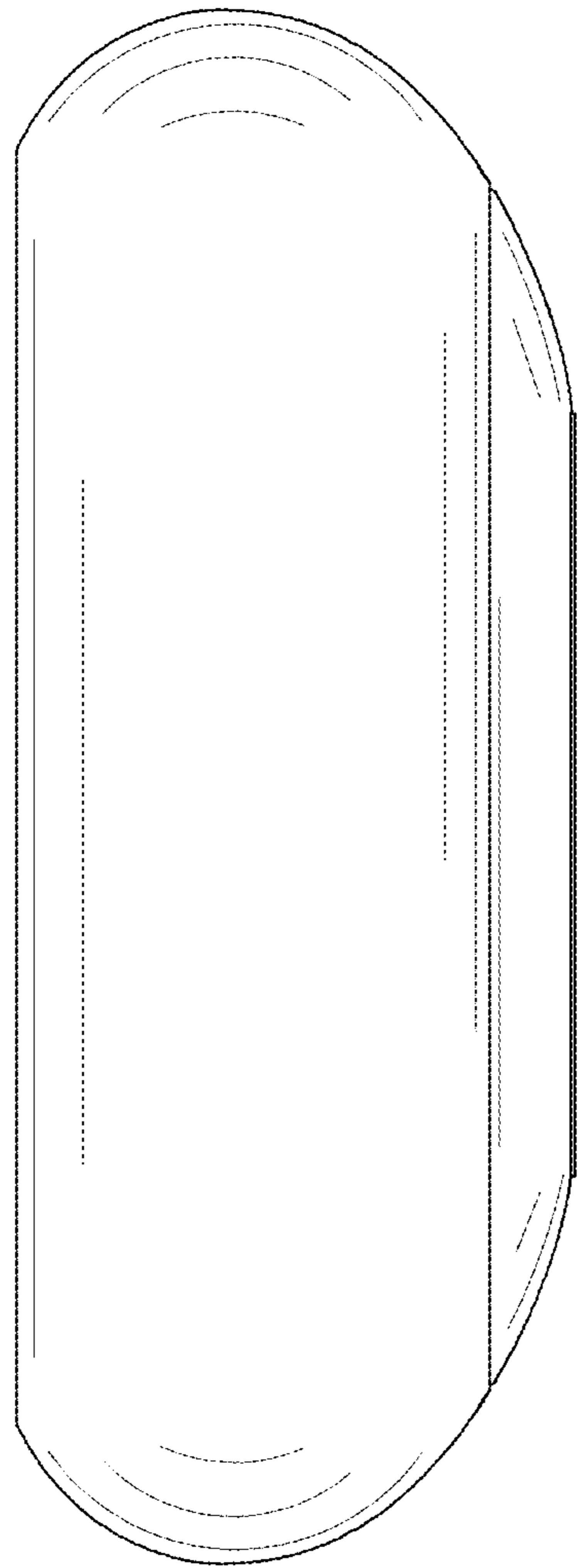


FIG.3

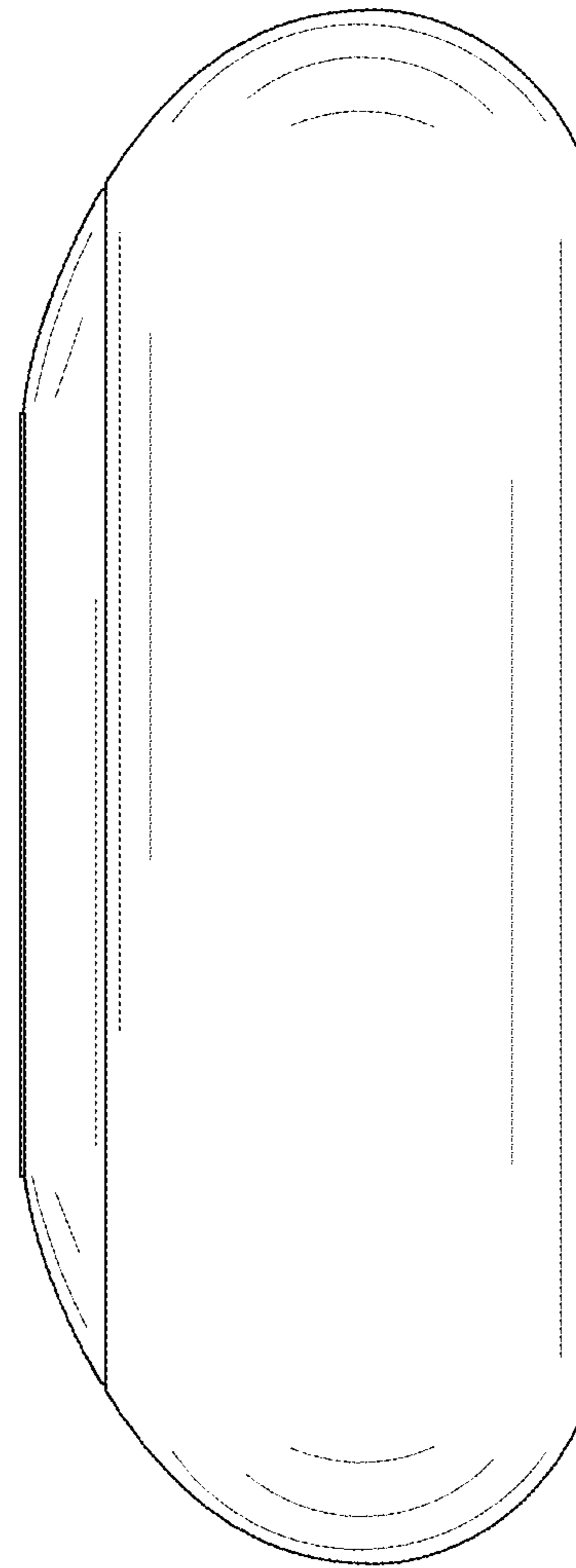


FIG.4

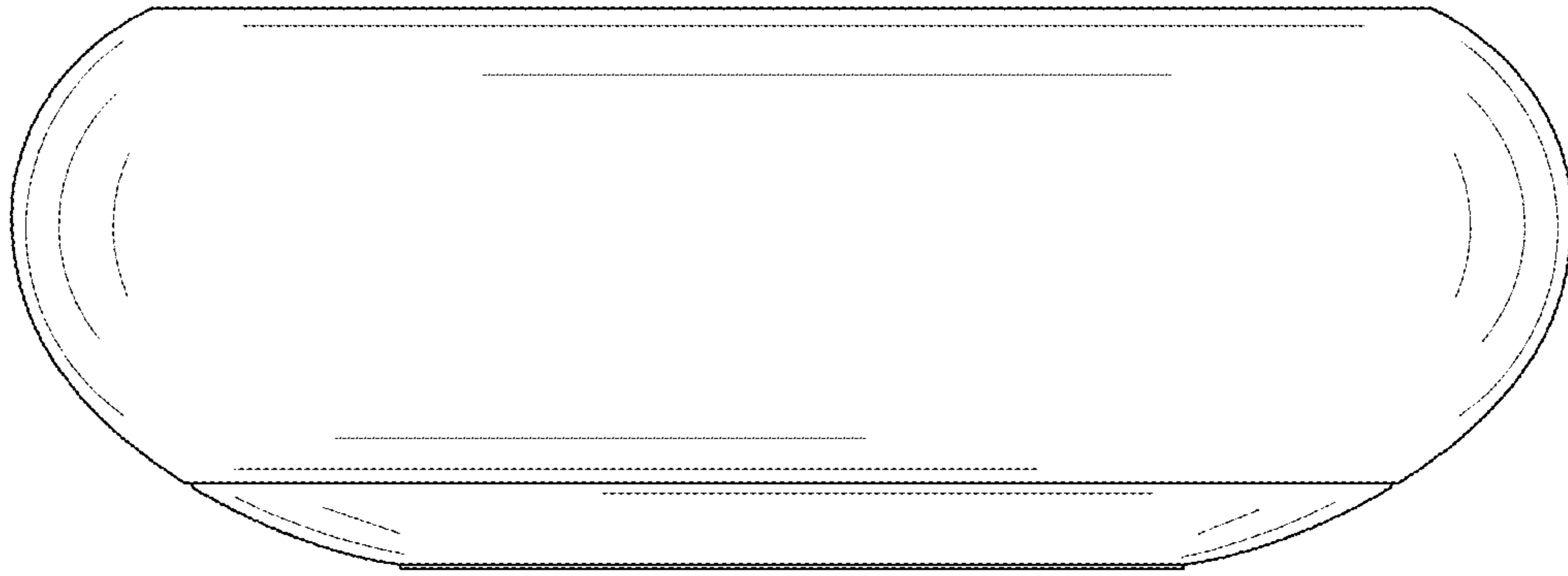


FIG.5

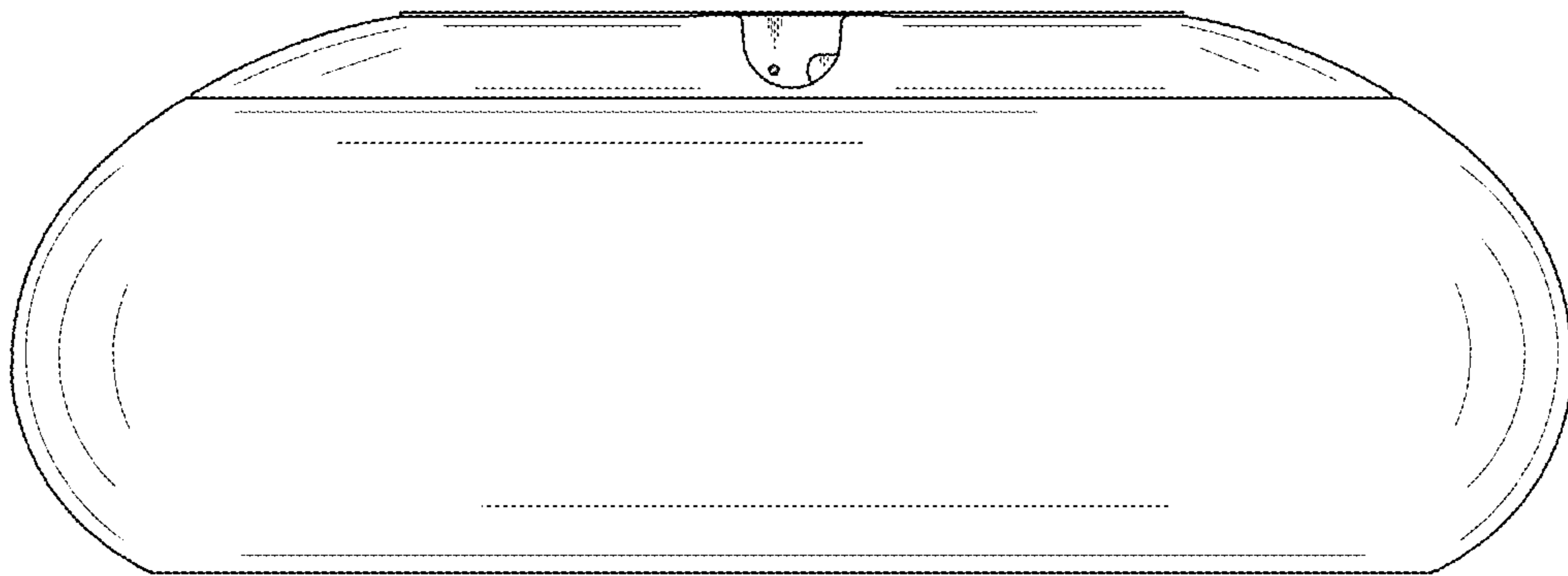


FIG.6

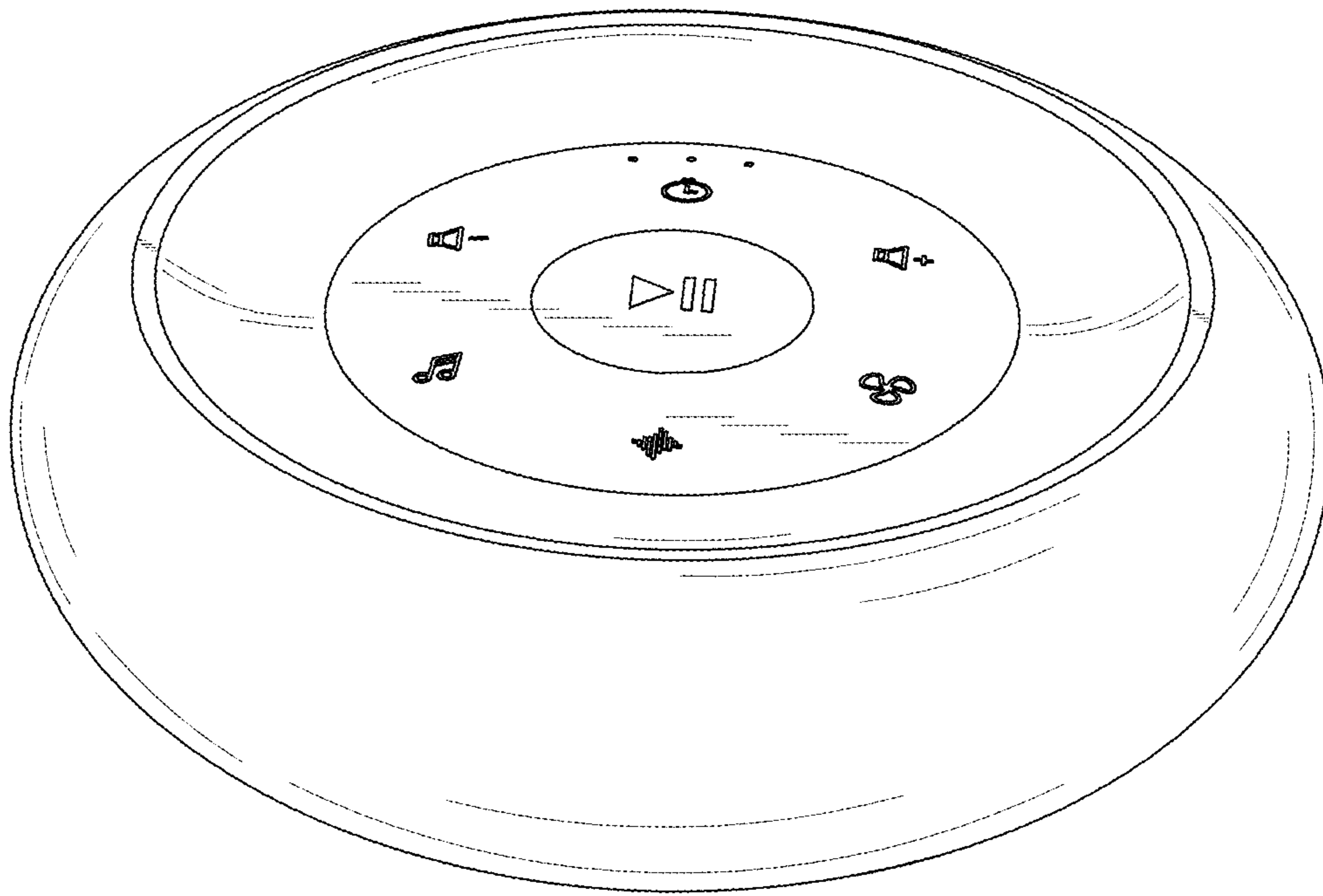


FIG. 7

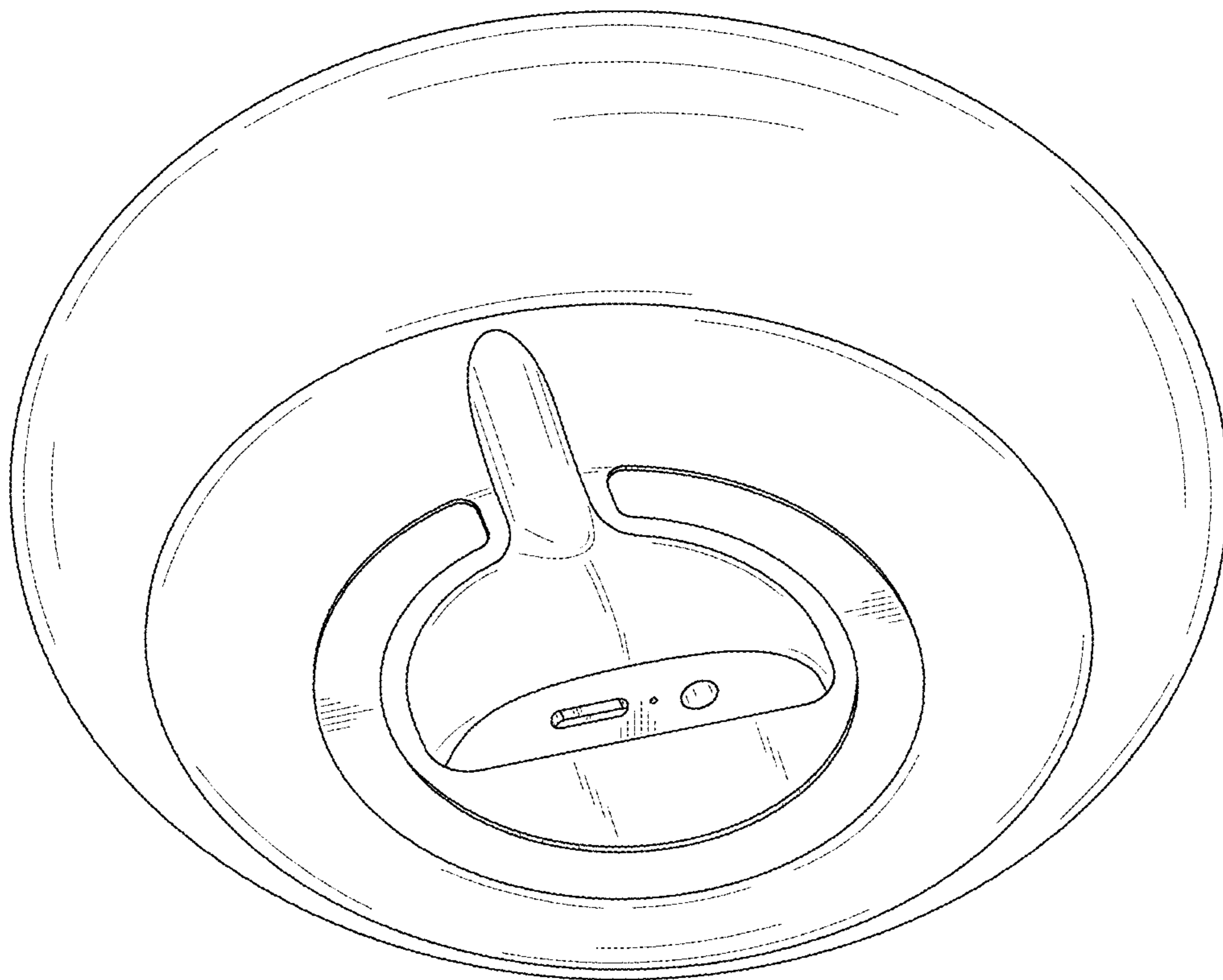


FIG. 8