

US00D967498S

(12) **United States Design Patent**
Liu

(10) **Patent No.:** **US D967,498 S**
(45) **Date of Patent:** **** Oct. 18, 2022**

(54) **FLOOR LAMP**

(71) Applicant: **Xiangzhou Liu**, Guangdong (CN)

(72) Inventor: **Xiangzhou Liu**, Guangdong (CN)

(73) Assignee: **Shenzhen Yushida Technology Co., Ltd.**, Shenzhen (CN)

(**) Term: **15 Years**

(21) Appl. No.: **29/745,439**

(22) Filed: **Aug. 6, 2020**

(51) **LOC (13) Cl.** **26-05**

(52) **U.S. Cl.**
USPC **D26/102**

(58) **Field of Classification Search**
USPC D26/24, 61, 63, 93, 102, 105, 106, 107,
D26/110, 111, 113, 118
CPC .. F21S 6/00; F21S 6/002; F21V 21/00; F21V
21/02; F21V 21/10; F21V 21/108
See application file for complete search history.

(56) **References Cited**

U.S. PATENT DOCUMENTS

D339,206 S *	9/1993	Kramer	D26/102
D341,000 S *	11/1993	Kramer	D26/107
D347,488 S *	5/1994	Kramer	D26/102
D426,009 S *	5/2000	Swanson	D26/65
D426,907 S *	6/2000	Swanson	D26/65
D437,444 S *	2/2001	Swanson	D26/65
D443,092 S *	5/2001	Lo	D26/65
D459,829 S *	7/2002	Dolan	D26/102
D488,253 S *	4/2004	Chen	D26/128
D594,589 S *	6/2009	Castagna	D26/94
D595,441 S *	6/2009	Swanson	D26/61
D656,664 S *	3/2012	Son	D26/118
D737,496 S *	8/2015	Swanson	D26/65
D753,867 S *	4/2016	Yin	D26/107
D764,089 S *	8/2016	Gelman	D26/62
D816,885 S *	5/2018	Tsai	D26/107
D819,856 S *	6/2018	Gelman	D26/102

D822,878 S *	7/2018	Yeh	D26/107
D861,230 S *	9/2019	Yeh	D26/102
D876,696 S *	2/2020	Holmes	D26/59

(Continued)

FOREIGN PATENT DOCUMENTS

CN 307114207 * 2/2022

OTHER PUBLICATIONS

Lakumu Industrial Floor Lamp, Jun. 22, 2020, Amazon.com, site visited Jun. 1, 2020, url: <https://www.amazon.com/dp/B08BL5YM3V> (Year: 2020).*
(Continued)

Primary Examiner — T Chase Nelson
Assistant Examiner — Rachel Wolfe

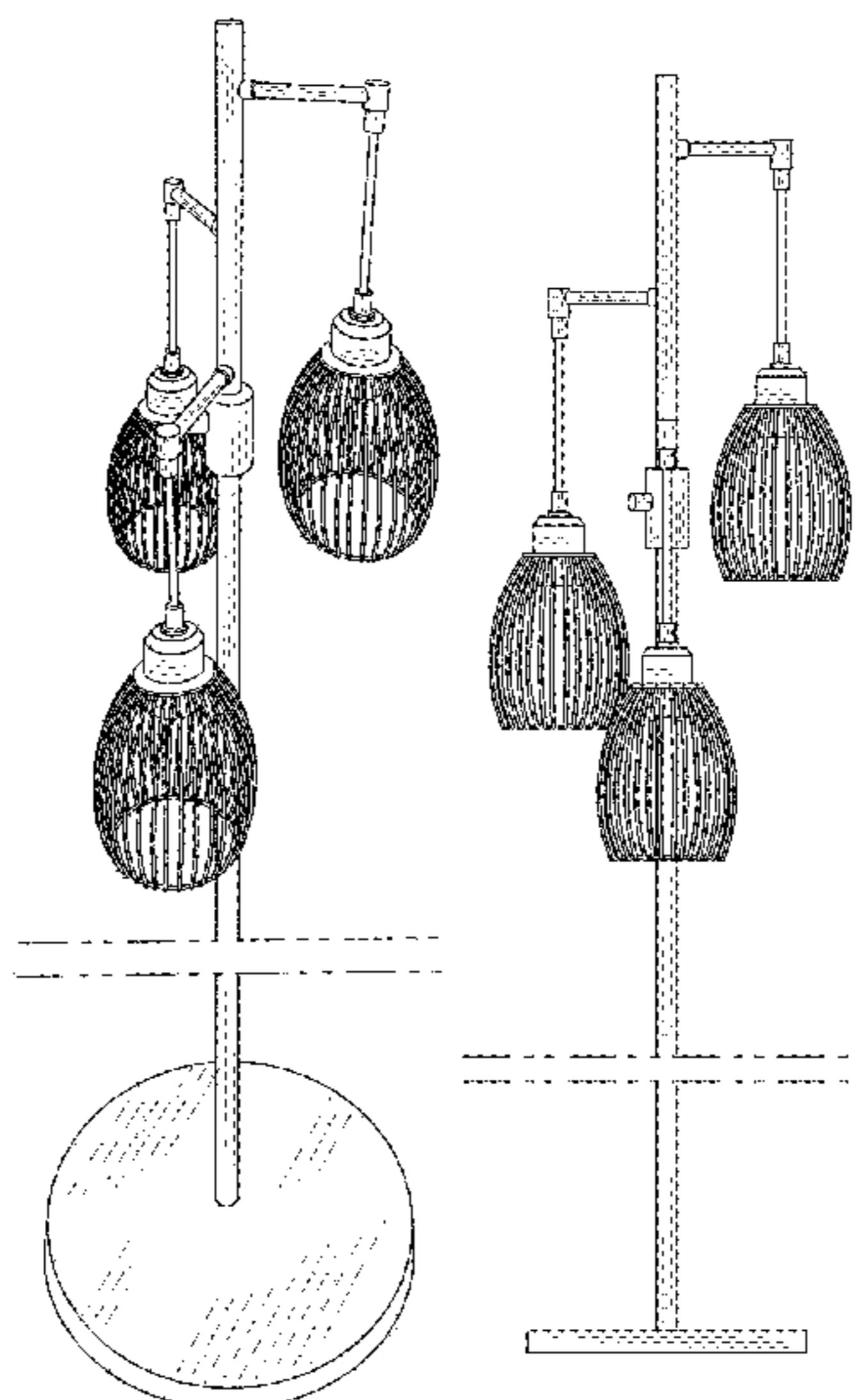
(57) **CLAIM**

The ornamental design for a floor lamp, as shown and described.

DESCRIPTION

FIG. 1 is a perspective view of a floor lamp showing my new design;
FIG. 2 is a front elevation view thereof;
FIG. 3 is a rear elevation view thereof;
FIG. 4 is a left side elevation view thereof;
FIG. 5 is a right side elevation view thereof;
FIG. 6 is a top plan view thereof;
FIG. 7 is a bottom plan view thereof; and,
FIG. 8 is another perspective view thereof, showing light bulbs in broken lines.
The dashed broken lines showing in the middle portion of the floor lamp indicate that the appearance of any portion of the article between the break lines forms no part of the claimed design.
The broken lines in the drawings depict environment only that forms no part of the claimed design.

1 Claim, 8 Drawing Sheets



(56)

References Cited

U.S. PATENT DOCUMENTS

D919,164 S * 5/2021 Wang D26/110
11,268,665 B2 * 3/2022 Hsieh F21V 21/22
D952,230 S * 5/2022 Li D26/81

OTHER PUBLICATIONS

Nintiue Dimmable Floor Lamp, Oct. 26, 2020, Amazon.com, site visited Jun. 1, 2020, url: <https://www.amazon.com/dp/B08LVZH9H1?th=1> (Year: 2020).*

Vonluce Industrial 3 Lights Tree Floor Lamp, Jun. 11, 2020, Amazon.com, site visited Jun. 1, 2020, url: <https://www.amazon.com/dp/B08B1D5QGN> (Year: 2020).*

* cited by examiner

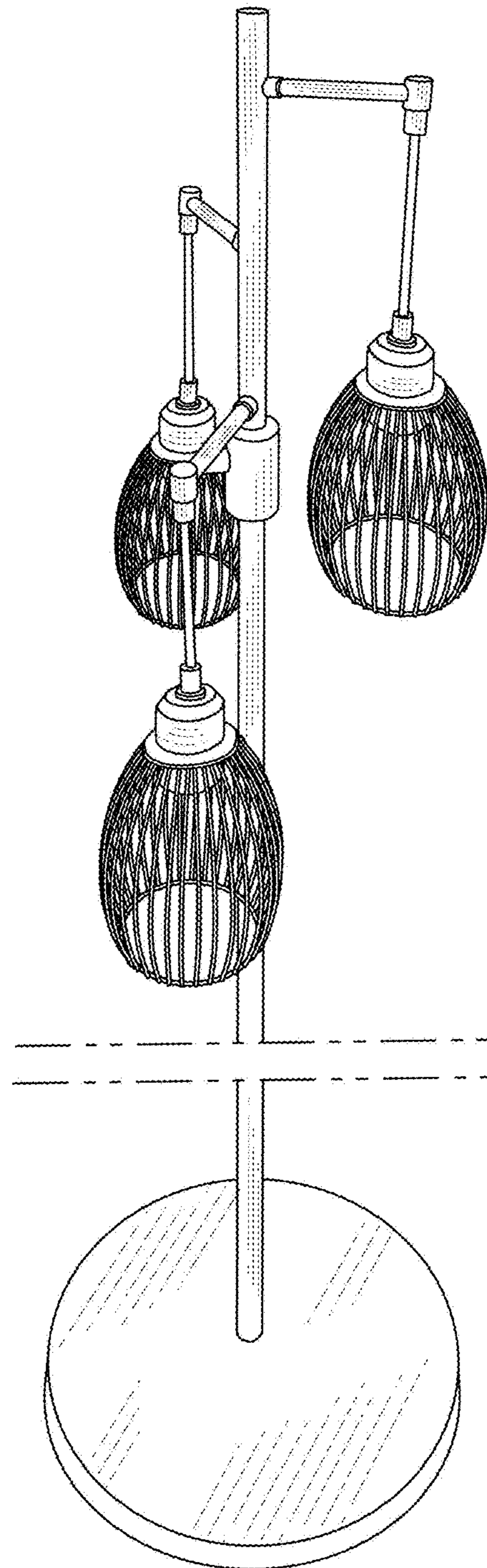


FIG.1

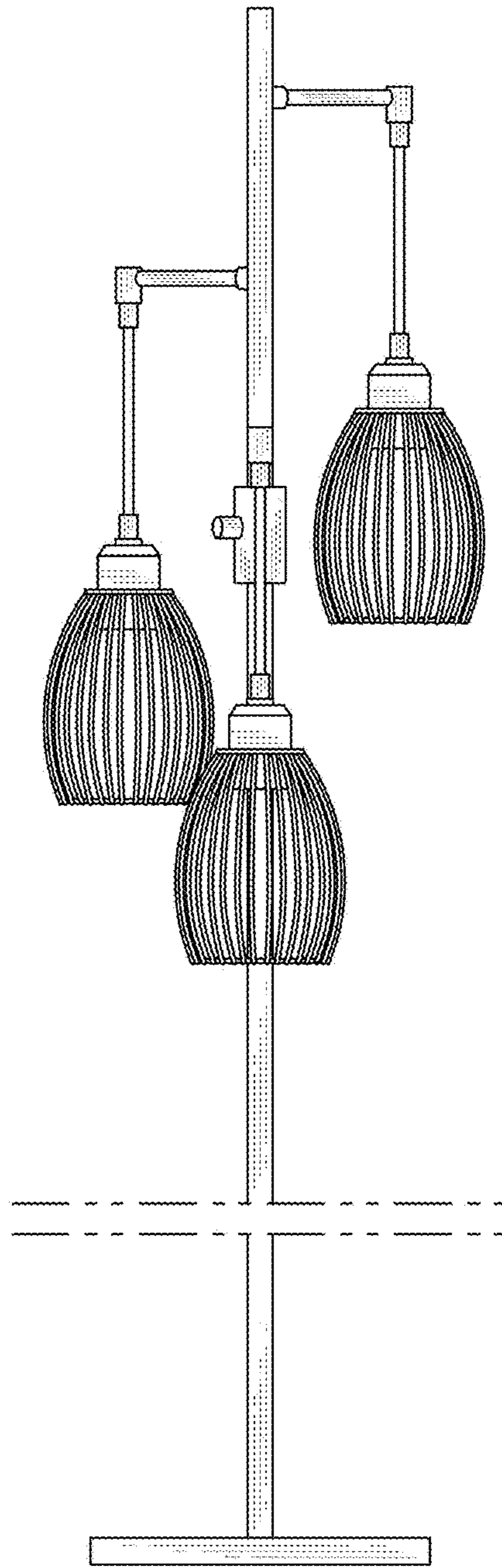


FIG.2

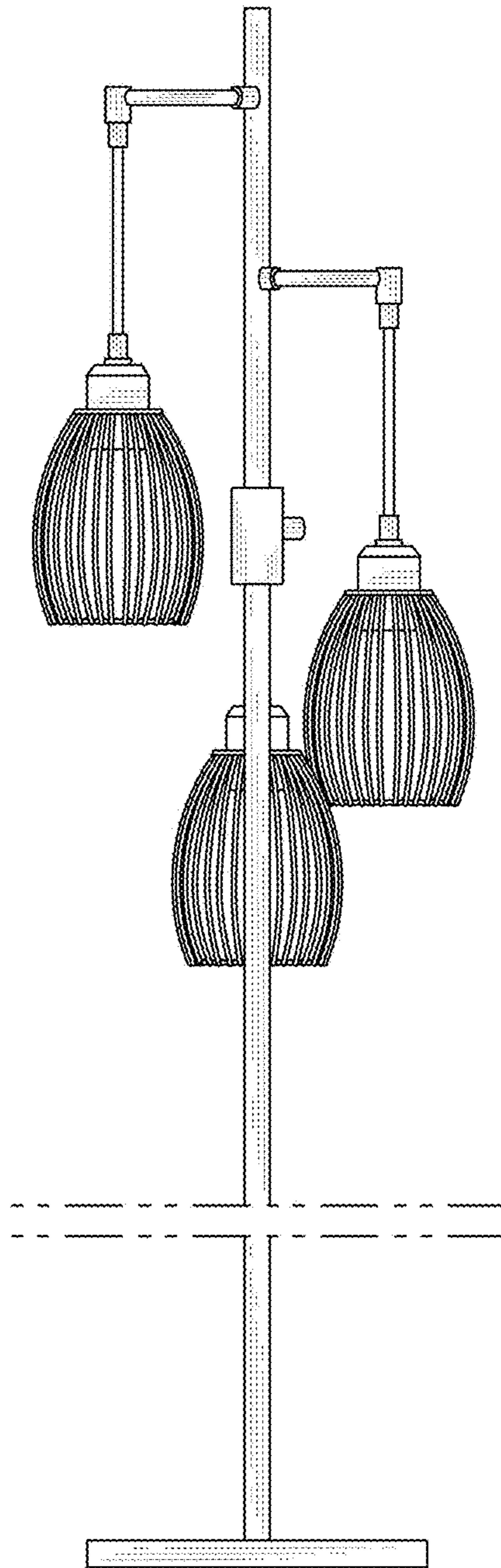


FIG.3

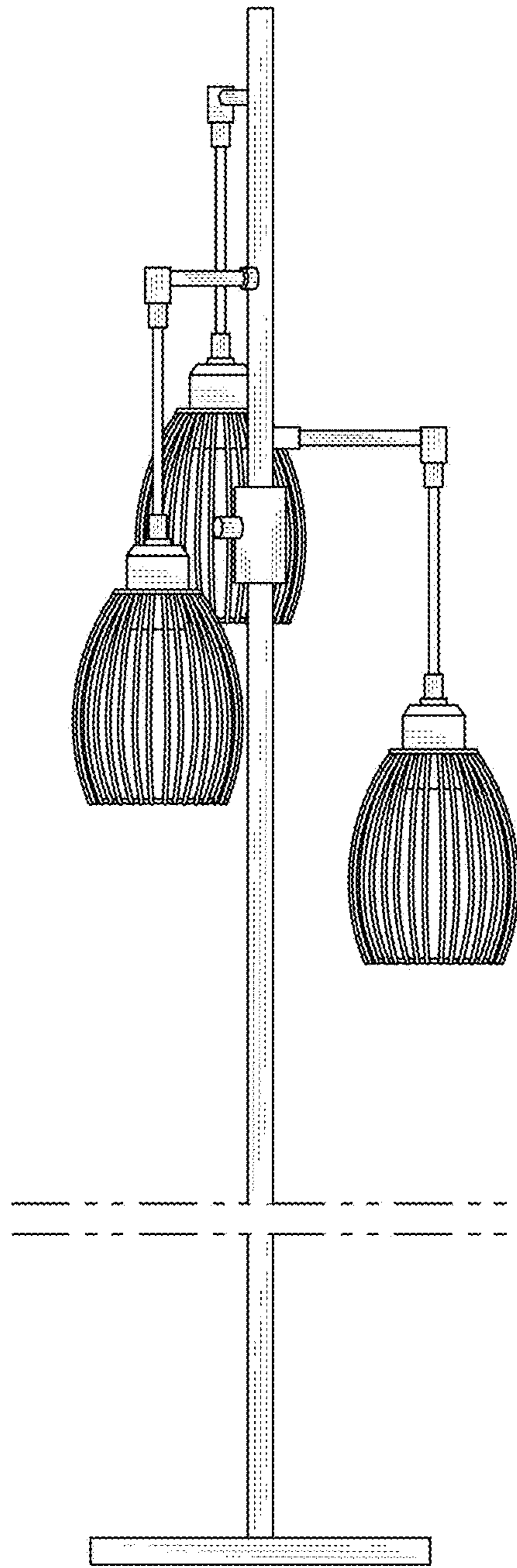


FIG.4

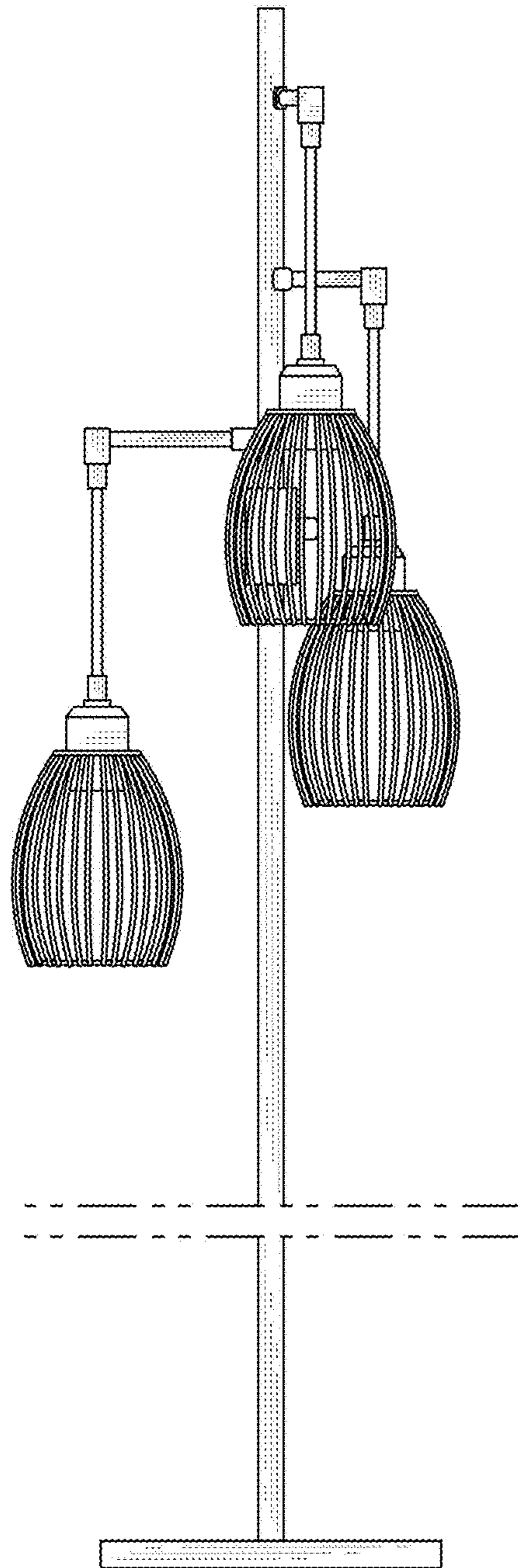


FIG.5

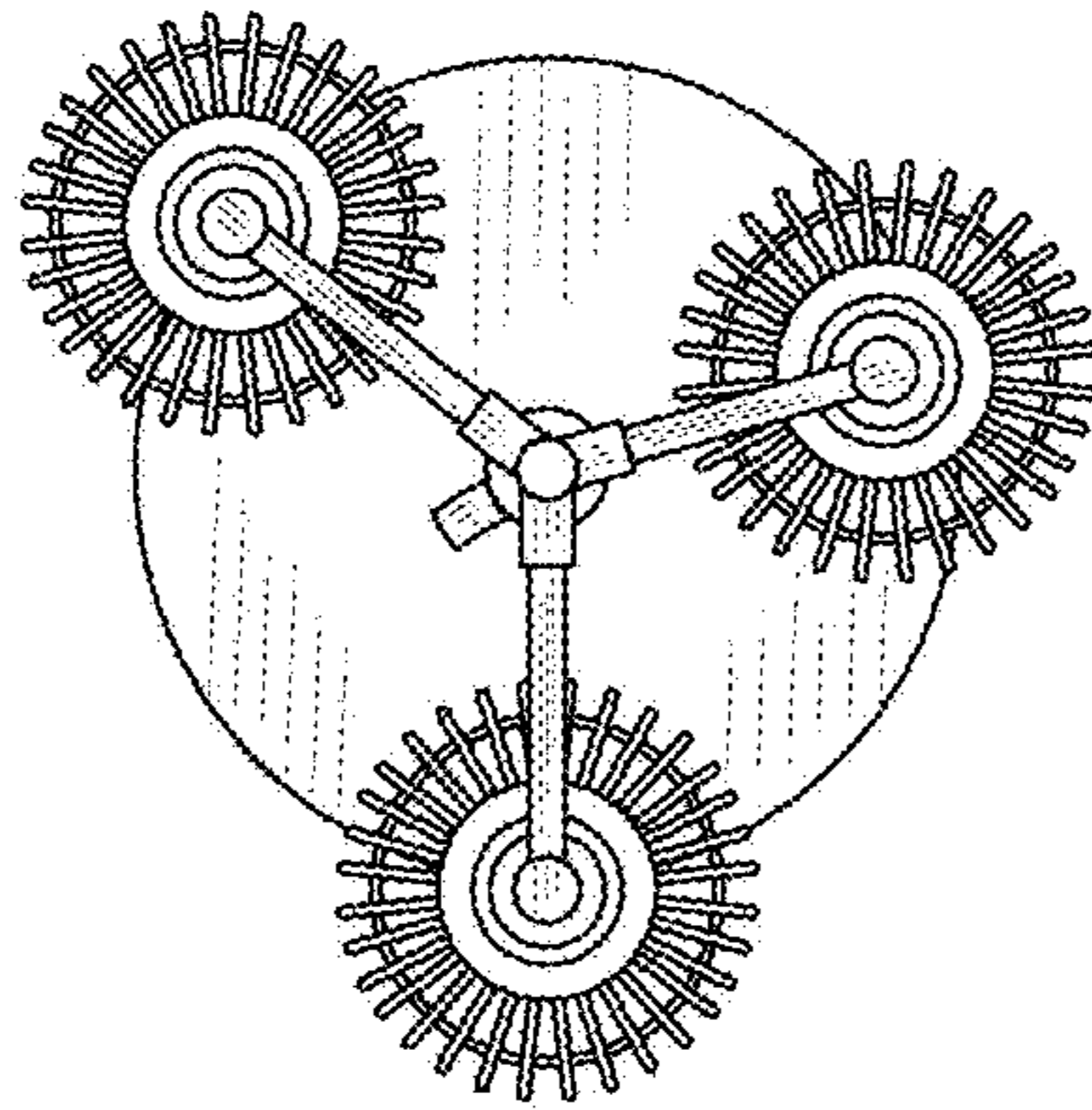


FIG.6

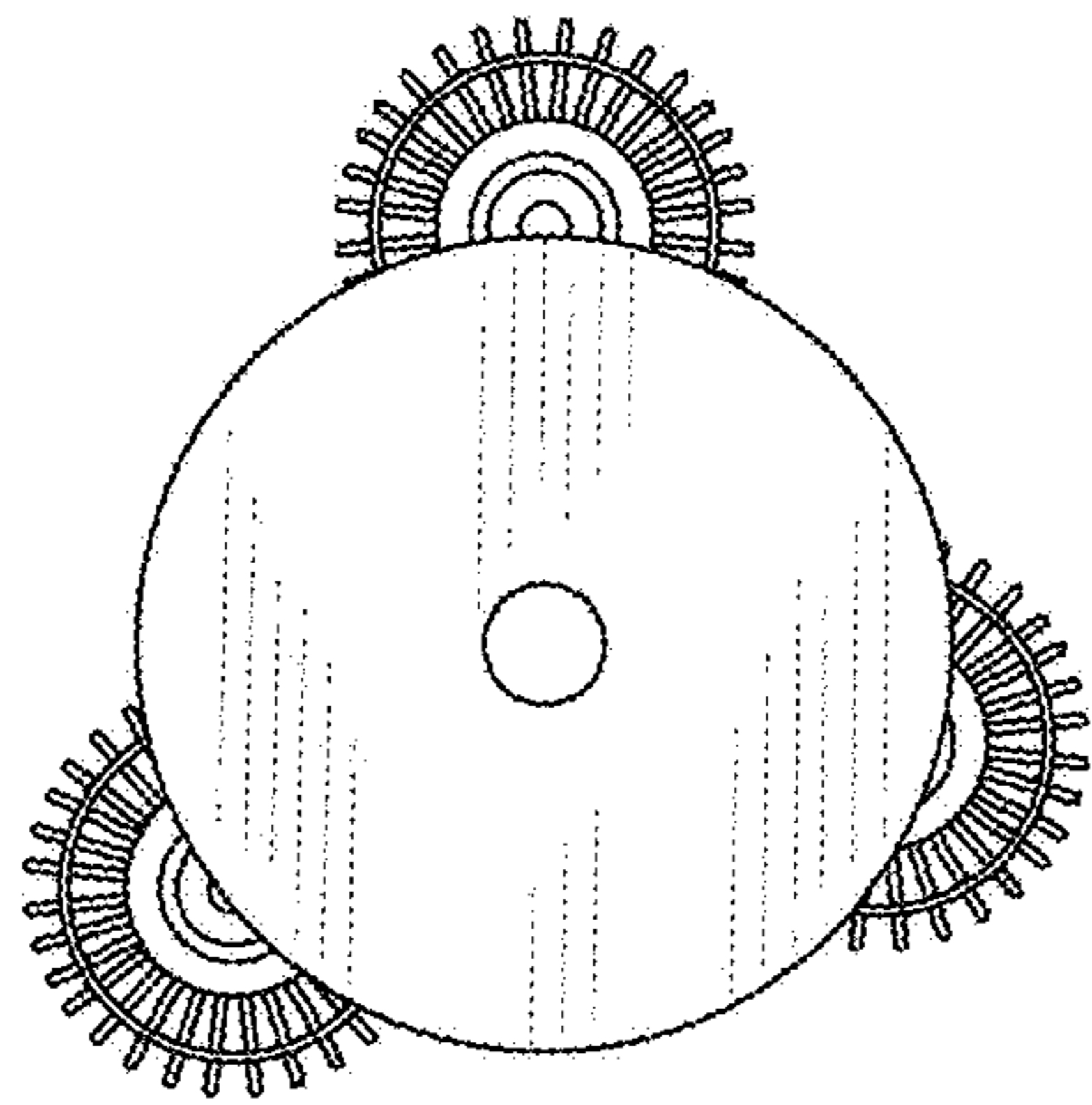


FIG. 7

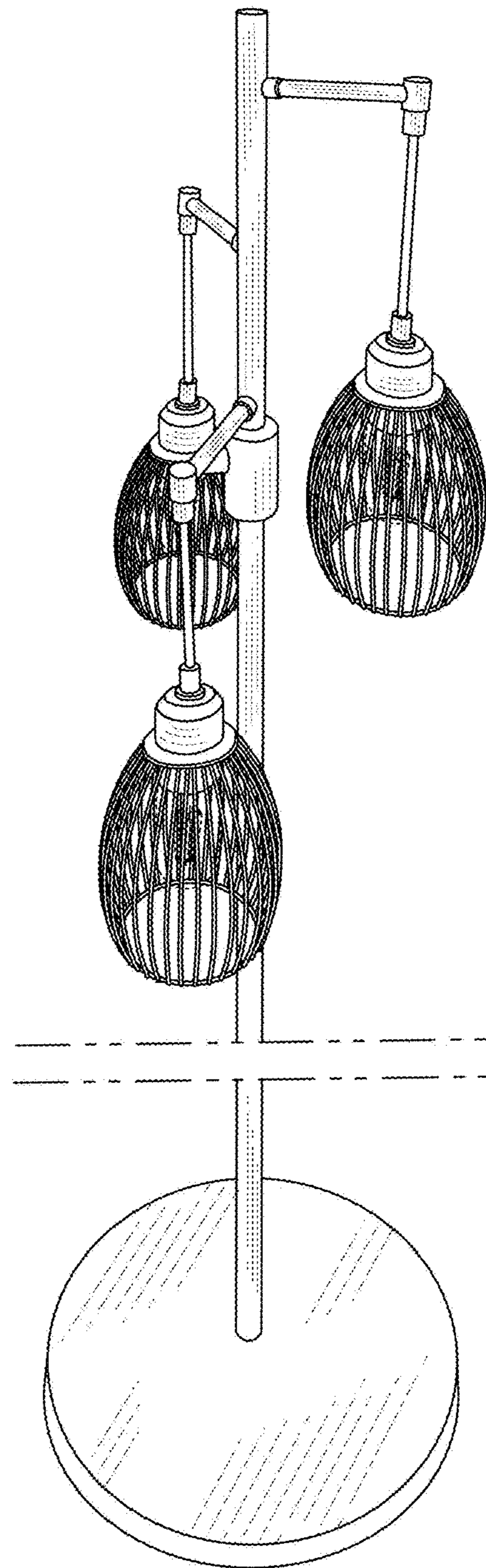


FIG. 8