

US00D967495S

(12) **United States Design Patent** (10) **Patent No.:** **US D967,495 S**  
**Hilland** (45) **Date of Patent:** **\*\* Oct. 18, 2022**

(54) **LANTERN**

(71) Applicant: **Inter IKEA Systems B.V.**, LN Delft (NL)

(72) Inventor: **Lisa Hilland**, Malmö (SE)

(73) Assignee: **INTER IKEA SYSTEMS B.V.**, Delft (NL)

(\*\*) Term: **15 Years**

(21) Appl. No.: **29/775,639**

(22) Filed: **Mar. 24, 2021**

(51) **LOC (13) Cl.** ..... **26-05**

(52) **U.S. Cl.**  
USPC ..... **D26/93**

(58) **Field of Classification Search**  
USPC ..... D26/24, 37-52, 93, 104-108, 110, 113, D26/118-120, 138  
CPC ... F21Y 2115/10; F21Y 2103/30; F21S 6/002; F21S 6/003; F21S 6/00; F21V 33/0048  
See application file for complete search history.

(56) **References Cited**

**U.S. PATENT DOCUMENTS**

D612,093 S *	3/2010	Espiau	.....	D26/105
D703,364 S *	4/2014	Meise	.....	D26/87
D724,254 S *	3/2015	Sun	.....	D26/112
D786,485 S *	5/2017	Amato	.....	D26/106
D795,505 S *	8/2017	Yang	.....	D30/101
D815,363 S *	4/2018	Chattin	.....	D30/104
D879,357 S *	3/2020	Vuorivirta	.....	D26/104
D882,152 S *	4/2020	Probyn	.....	D26/106

D885,641 S *	5/2020	Lanneskog	.....	D26/105
D948,102 S *	4/2022	Wang	.....	D26/104
2011/0193482 A1 *	8/2011	Jones	.....	H05B 47/29 315/87

**OTHER PUBLICATIONS**

Askmuller. By IKEA. Dated Jan. 14, 2021. Found online [Apr. 22, 2022]. PDF Assembly Instruction. (Year: 2021).\*  
Coupe 13" Table Lamp. By AllModern. Dated Nov. 11, 2020. Found online [Apr. 22, 2022]. <https://www.wayfair.com/lighting/pdp/allmodern-coupe-13-table-lamp-w003527824.html> (Year: 2020).\*

\* cited by examiner

*Primary Examiner* — Marissa J Cash

*Assistant Examiner* — William B Melliar

(74) *Attorney, Agent, or Firm* — Tucker Ellis LLP

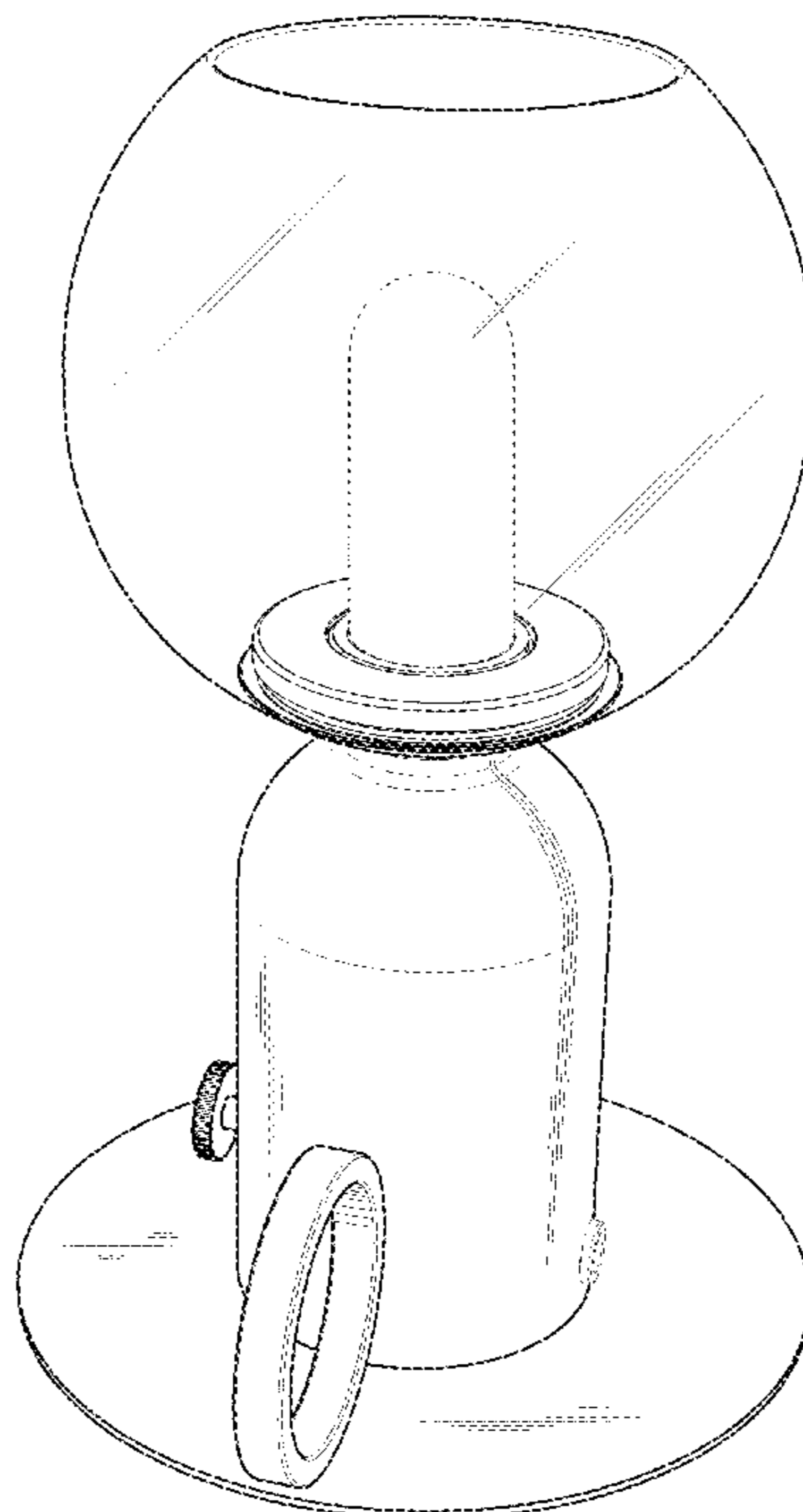
(57) **CLAIM**

The ornamental design for a lantern, as shown and described.

**DESCRIPTION**

FIG. 1 is a left side, rear and top perspective view of a lantern showing my new design;  
FIG. 2 is a right side, front and bottom perspective view thereof;  
FIG. 3 is a front view thereof;  
FIG. 4 is a rear view thereof;  
FIG. 5 is a bottom view thereof;  
FIG. 6 is a top view thereof;  
FIG. 7 is a right side view thereof; and,  
FIG. 8 is a left side view thereof.  
The broken lines in the drawings illustrate portions of the lantern that form no part of the claimed design.

**1 Claim, 8 Drawing Sheets**



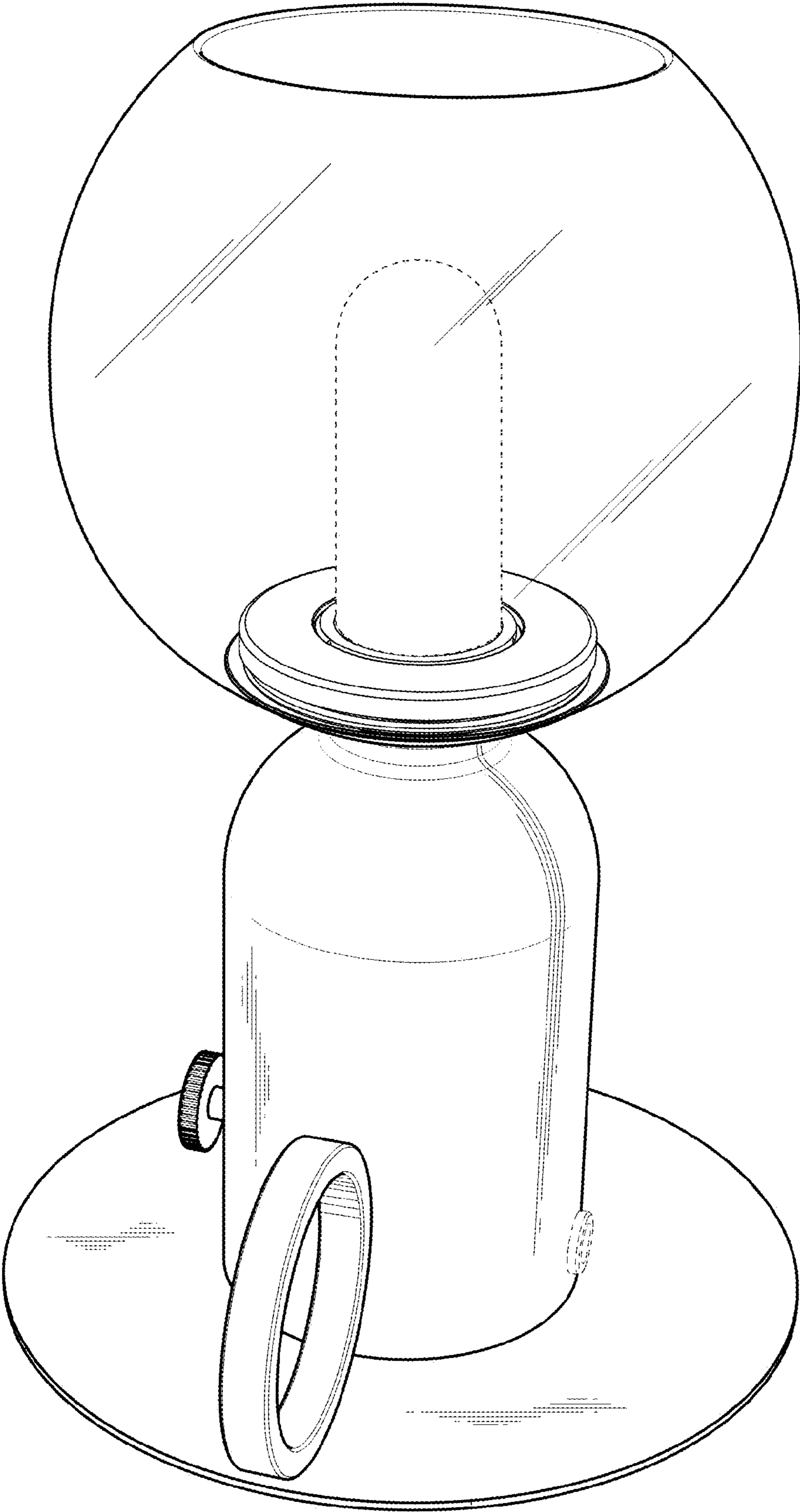


FIG. 1

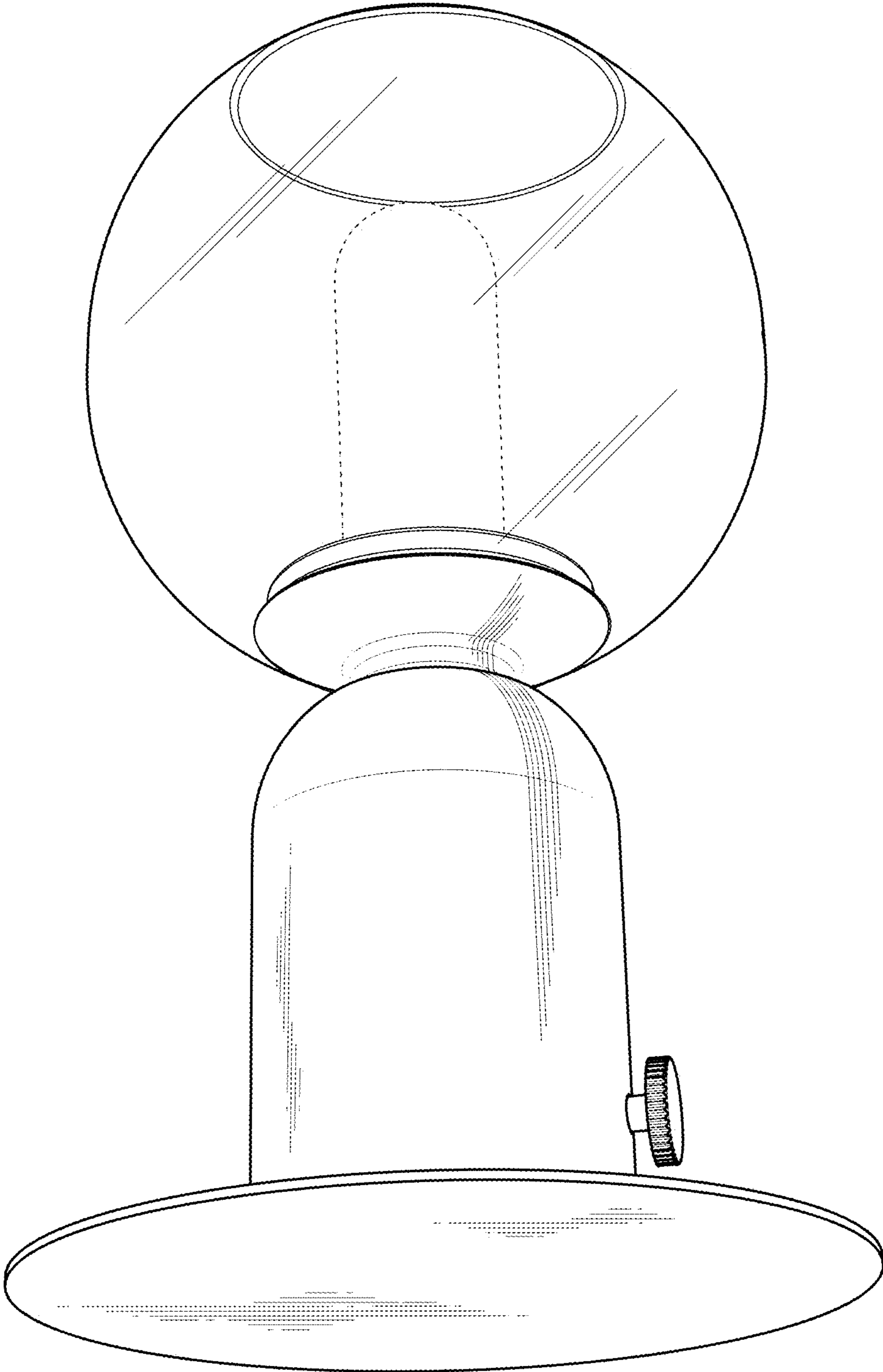


FIG. 2

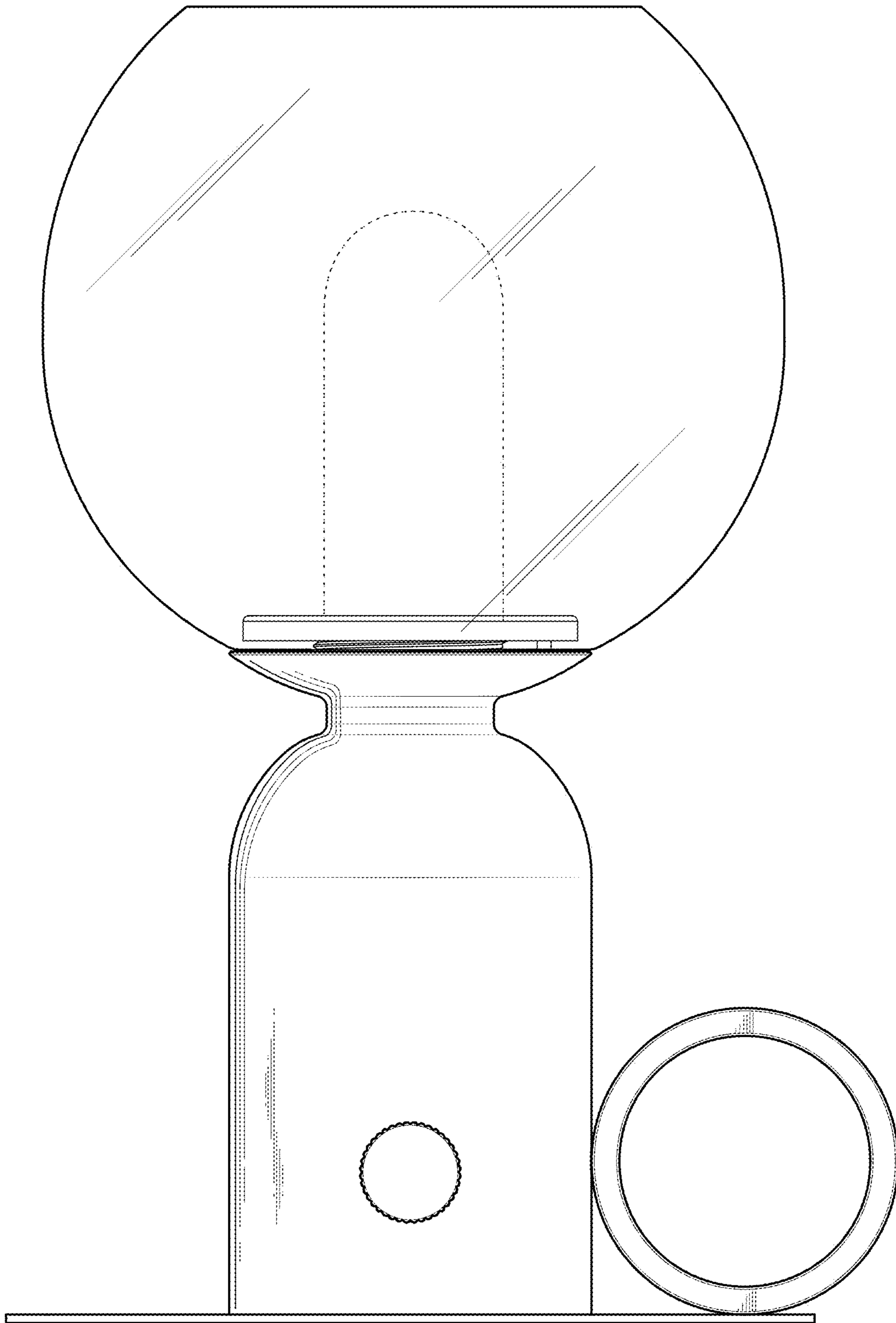


FIG. 3

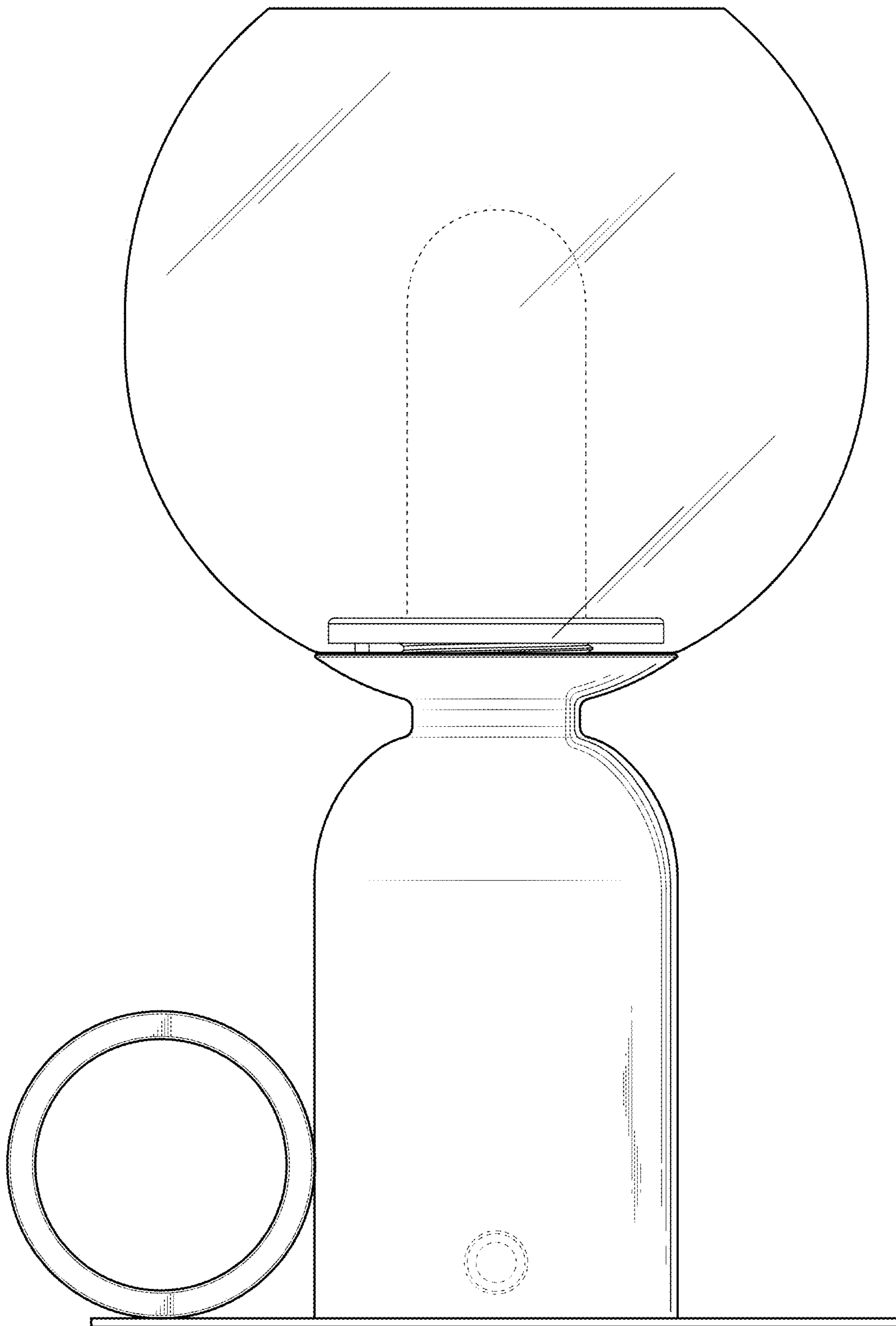


FIG. 4

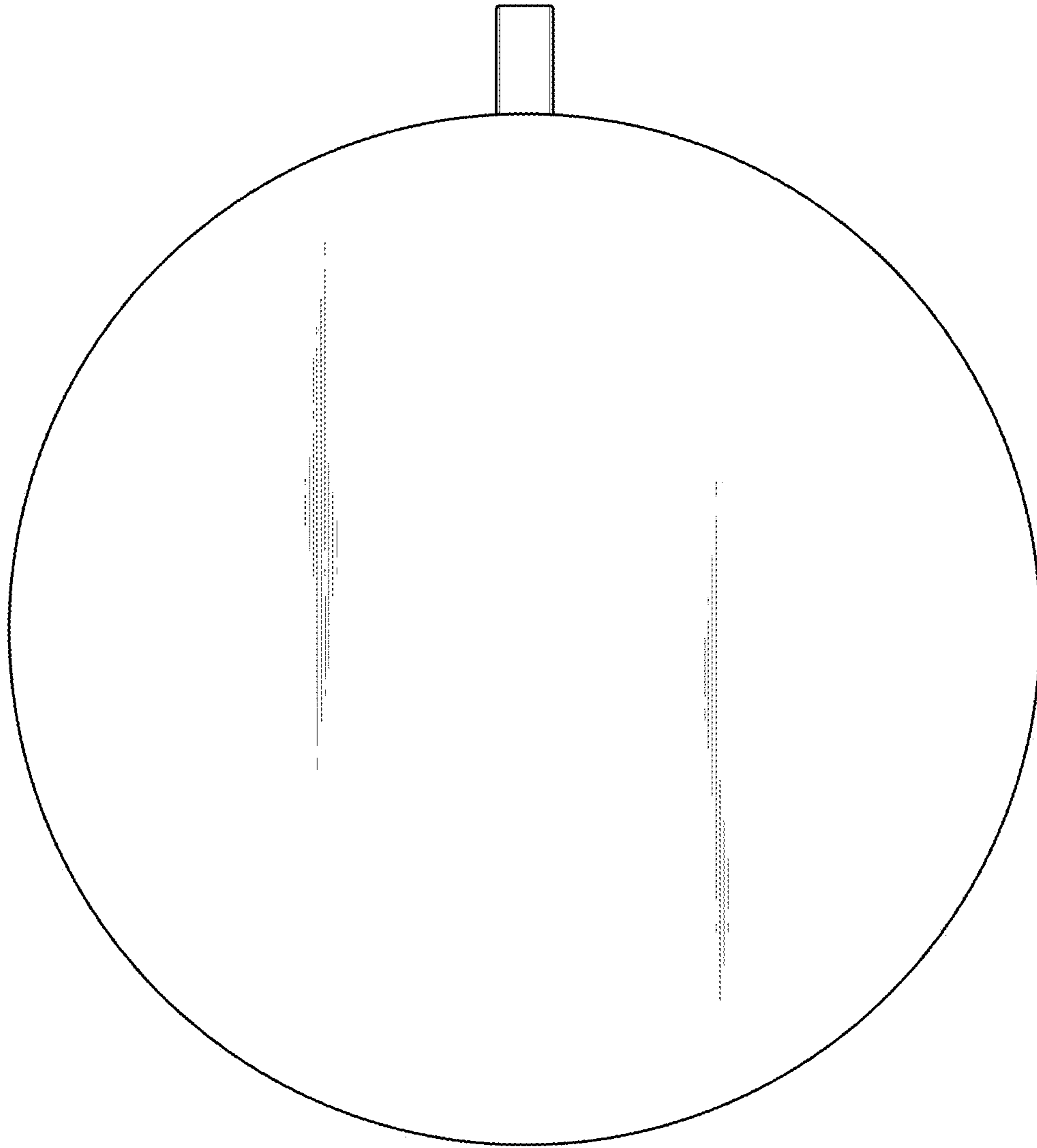


FIG. 5

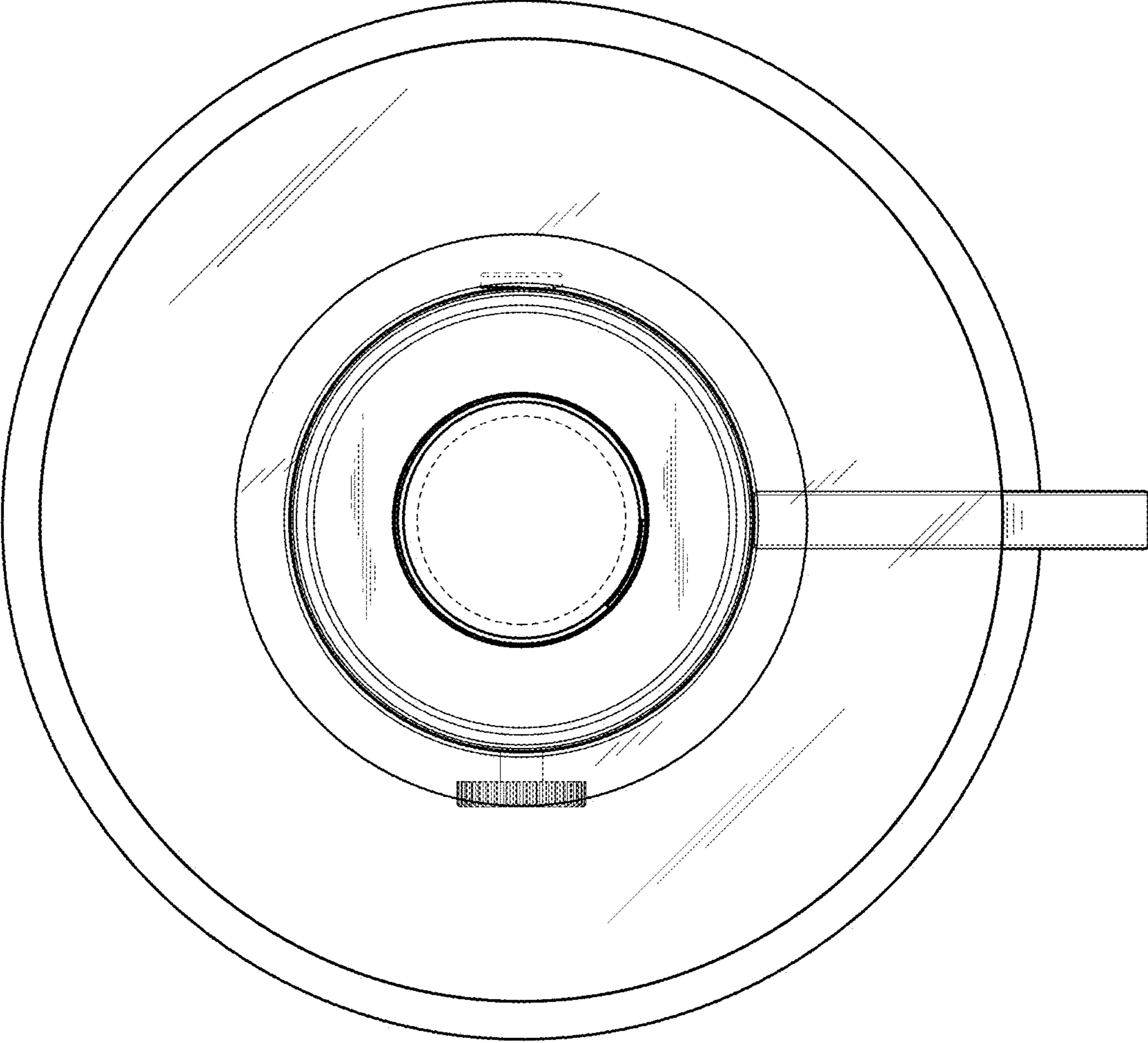


FIG. 6

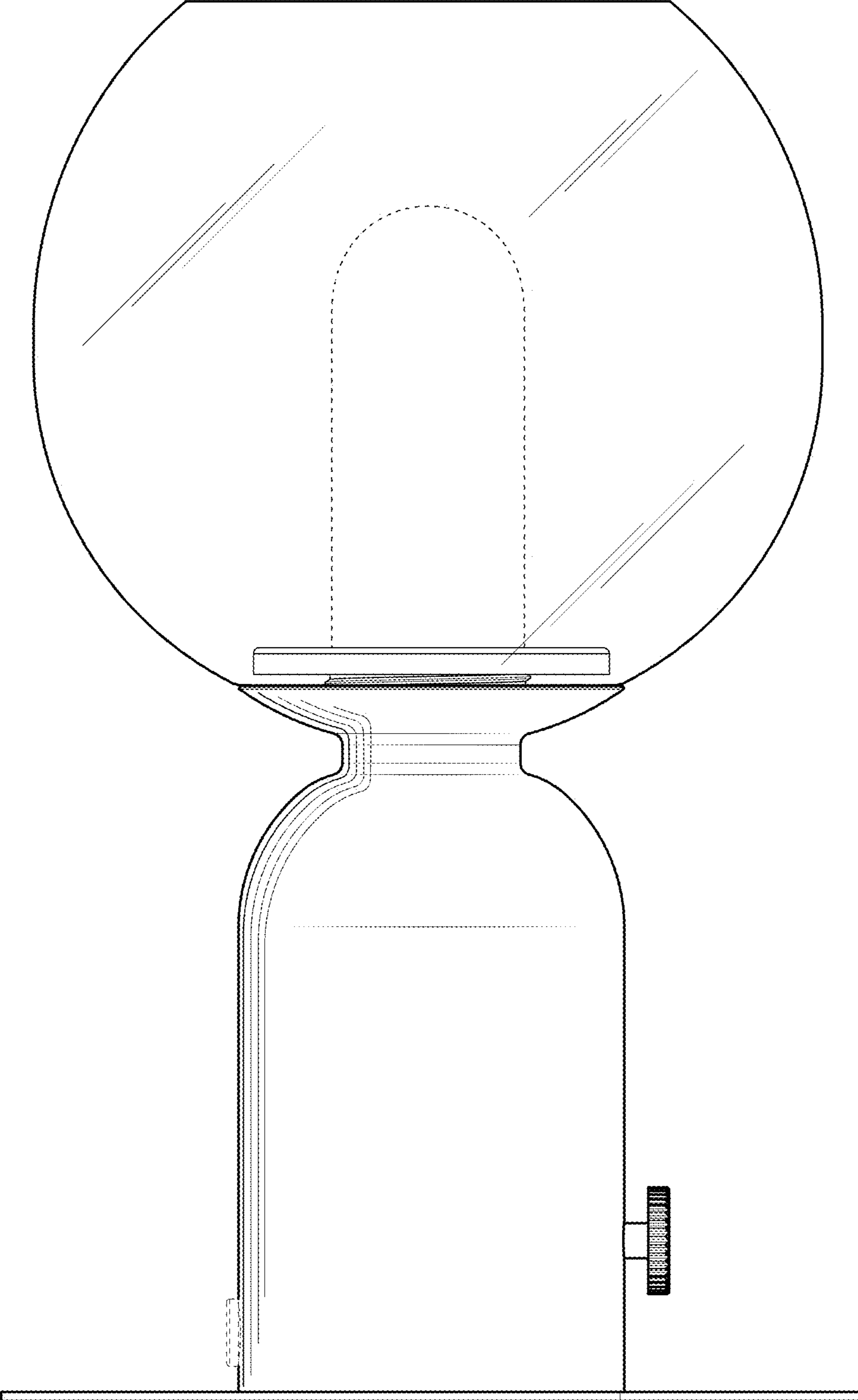


FIG. 7



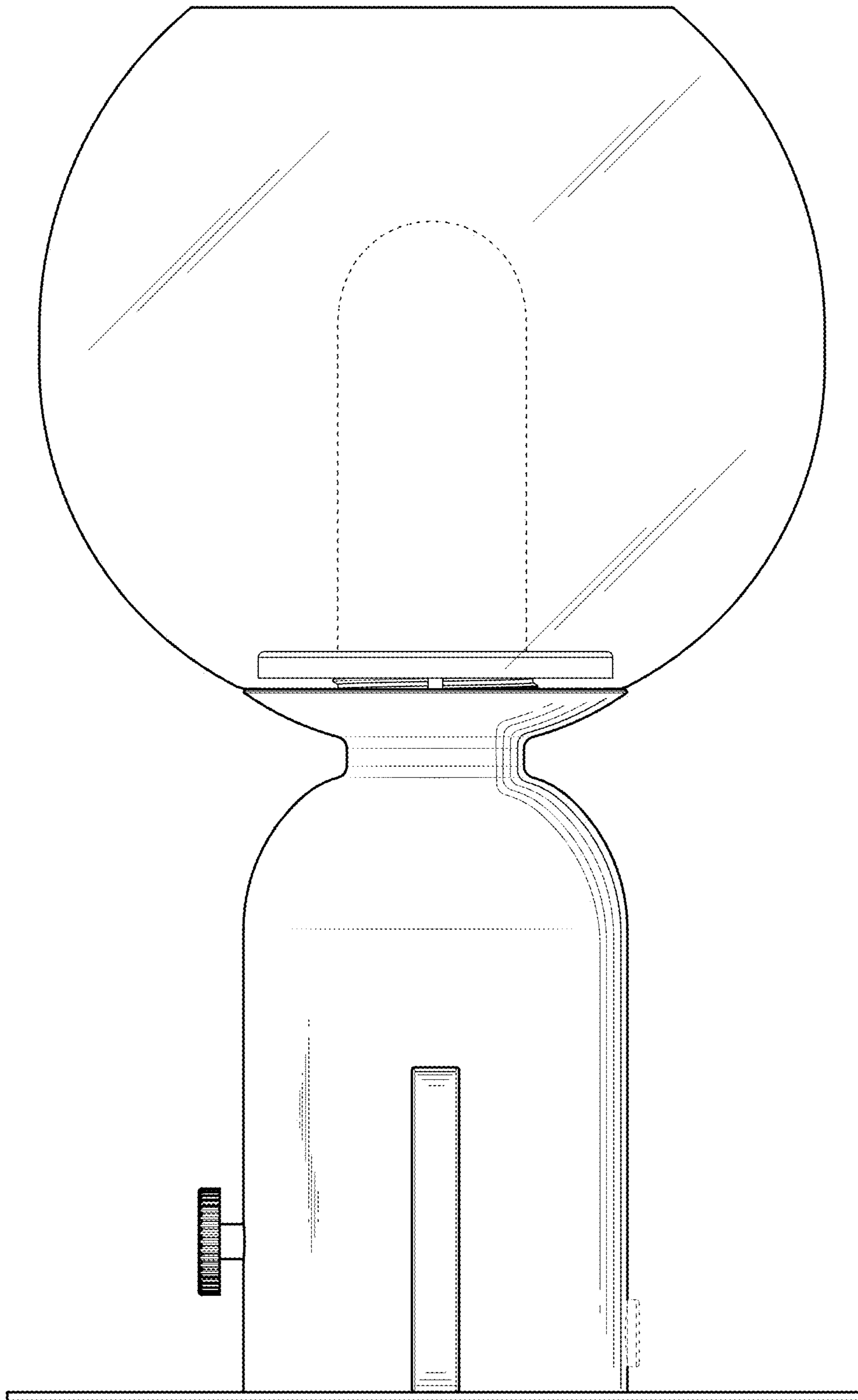


FIG. 8

UNITED STATES PATENT AND TRADEMARK OFFICE  
**CERTIFICATE OF CORRECTION**

PATENT NO. : D967,495 S  
APPLICATION NO. : 29/775639  
DATED : October 18, 2022  
INVENTOR(S) : Lisa Hilland

Page 1 of 1

It is certified that error appears in the above-identified patent and that said Letters Patent is hereby corrected as shown below:

On the Title Page

In item (30), please add Foreign Application Priority Data -- Nov. 25, 2020 (EM) 008284236-0001 --

Signed and Sealed this  
Fifteenth Day of November, 2022



Katherine Kelly Vidal  
*Director of the United States Patent and Trademark Office*