



US00D967493S

(12) **United States Design Patent**  
**Huang**

(10) **Patent No.:** **US D967,493 S**  
(45) **Date of Patent:** **\*\* Oct. 18, 2022**

(54) **LAMP**

**DESCRIPTION**

(71) Applicant: **Wenjuan Huang**, Zhanjiang (CN)  
(72) Inventor: **Wenjuan Huang**, Zhanjiang (CN)  
(\*\*) Term: **15 Years**  
(21) Appl. No.: **29/820,951**  
(22) Filed: **Dec. 26, 2021**  
(51) **LOC (13) Cl.** ..... **26-03**  
(52) **U.S. Cl.**  
USPC ..... **D26/87; D26/86**  
(58) **Field of Classification Search**  
USPC ..... D26/72, 80, 85, 86, 87, 92  
CPC .. F21S 8/033; F21S 8/035; F21S 8/036; F21S  
8/046  
See application file for complete search history.

FIG. 1 is a perspective view of a first embodiment of a lamp showing my new design;  
FIG. 2 is another perspective view thereof;  
FIG. 3 is a front elevational view thereof;  
FIG. 4 is a rear elevational view thereof;  
FIG. 5 is a left side elevational view thereof;  
FIG. 6 is a right side elevational view thereof;  
FIG. 7 is a top plan view thereof;  
FIG. 8 is a bottom plan view thereof;  
FIG. 9 is an enlarged view of portion 9 shown in FIG. 1;  
FIG. 10 is a perspective view of a second embodiment of the lamp;  
FIG. 11 is another perspective view thereof;  
FIG. 12 is a front elevational view thereof;  
FIG. 13 is a rear elevational view thereof;  
FIG. 14 is a left side elevational view thereof;  
FIG. 15 is a right side elevational view thereof;  
FIG. 16 is a top plan view thereof;  
FIG. 17 is a bottom plan view thereof;  
FIG. 18 is an enlarged view of portion 18 shown in FIG. 10;  
FIG. 19 is a perspective view of a third embodiment of the lamp;  
FIG. 20 is another perspective view thereof;  
FIG. 21 is a front elevational view thereof;  
FIG. 22 is a rear elevational view thereof;  
FIG. 23 is a left side elevational view thereof;  
FIG. 24 is a right side elevational view thereof;  
FIG. 25 is a top plan view thereof;  
FIG. 26 is a bottom plan view thereof; and,  
FIG. 27 is an enlarged view of portion 27 shown in FIG. 19.  
The dash-dash broken lines in the drawings depict portions of the lamp that form no part of the claimed design. The dot-dash broken lines represent boundaries of the enlarged portions and form no part of the claimed design.

(56) **References Cited**

**U.S. PATENT DOCUMENTS**

D863,647 S	*	10/2019	Chiu	.....	D26/86
D879,354 S	*	3/2020	Lin	.....	D26/86
D882,149 S	*	4/2020	Lin	.....	D26/86
D887,617 S	*	6/2020	Wang	.....	D26/86
D888,316 S	*	6/2020	Huang	.....	D26/80
D892,385 S		8/2020	Browning		
D892,386 S		8/2020	Browning		

(Continued)

**OTHER PUBLICATIONS**

Aipsun Crystal Bathroom Vanity Light Modern Vanity Light, ASIN: B0891QSIL3. Available from amazon.com May 22, 2020. (Year: 2020).\*

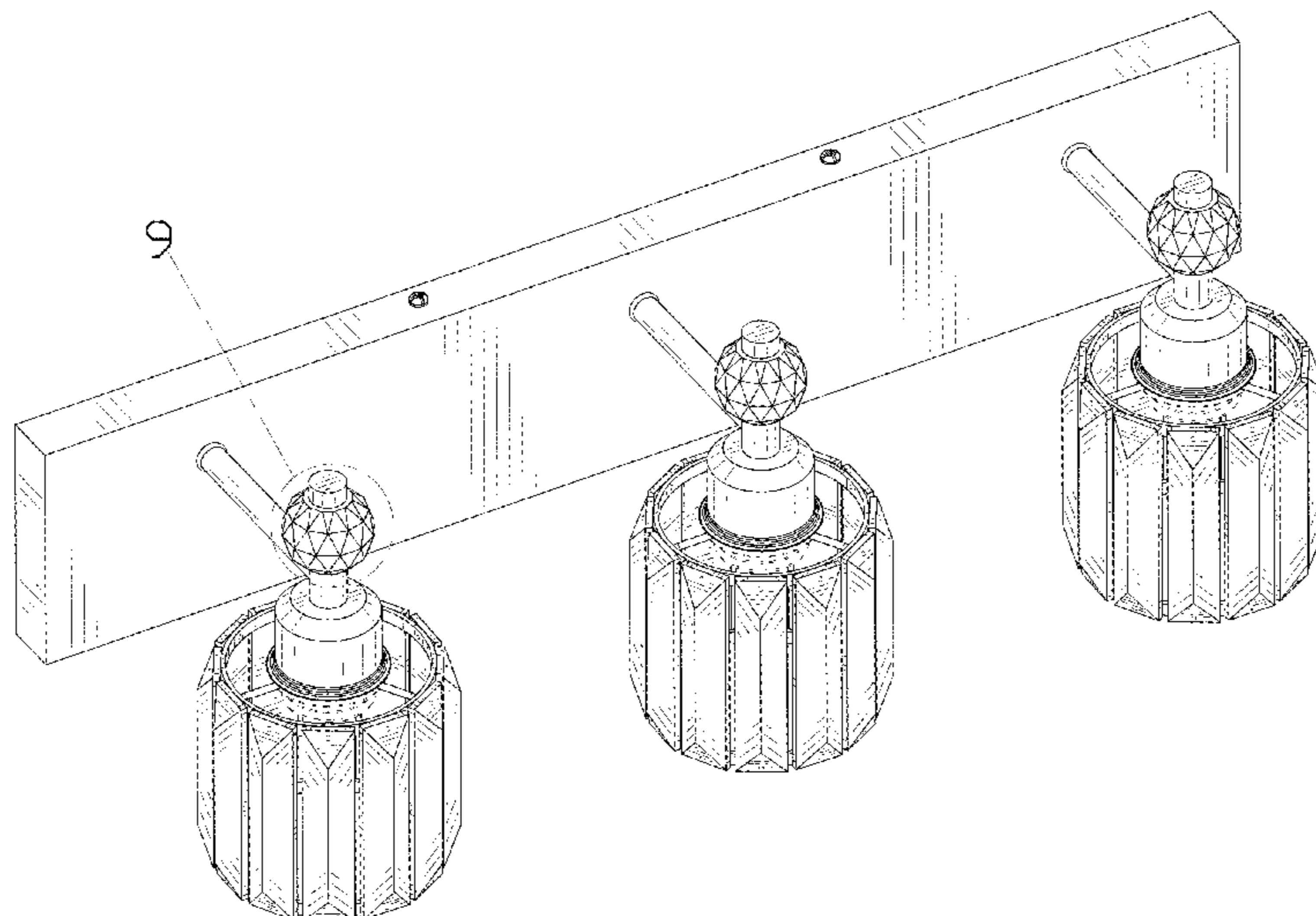
(Continued)

*Primary Examiner* — Clare E Heflin

(57) **CLAIM**

The ornamental design for a lamp, as shown and described.

**1 Claim, 27 Drawing Sheets**



(56)

**References Cited**

U.S. PATENT DOCUMENTS

D917,767 S \* 4/2021 Zheng ..... D26/86  
D922,657 S \* 6/2021 Zheng ..... D26/86  
D924,461 S \* 7/2021 Hu ..... D26/86  
D924,462 S \* 7/2021 Bai ..... D26/86  
D939,129 S \* 12/2021 Mei ..... D26/86  
2013/0077295 A1 \* 3/2013 Hayashi ..... H01L 33/00  
362/217.05

OTHER PUBLICATIONS

Presde Modern Crystal Bathroom Light ASIN: B09N3S25XM.  
Available from amazon.com Dec. 6, 2021. (Year: 2021).\*

Ralbay Modern LED Crystal Bathroom Vanity Light ASIN:  
B089NTRF58. Available from amazon.com Jun. 4, 2020. (Year:  
2020).\*

Aipsun Bathroom Vanity Light, ASIN: B09V4J692Q. Available  
from amazon.com Mar. 9, 2022. (Year: 2022).\*

\* cited by examiner

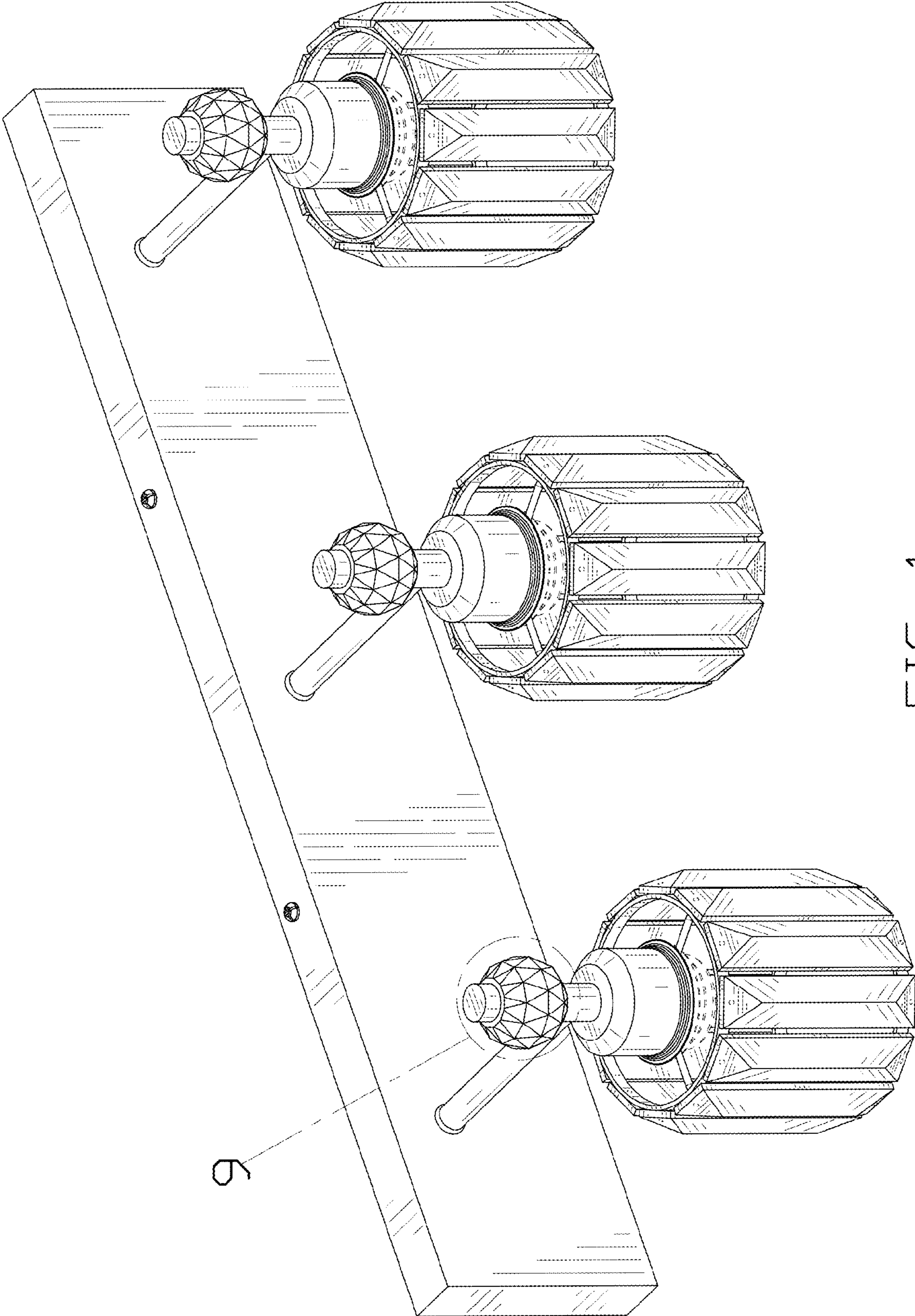


FIG. 1

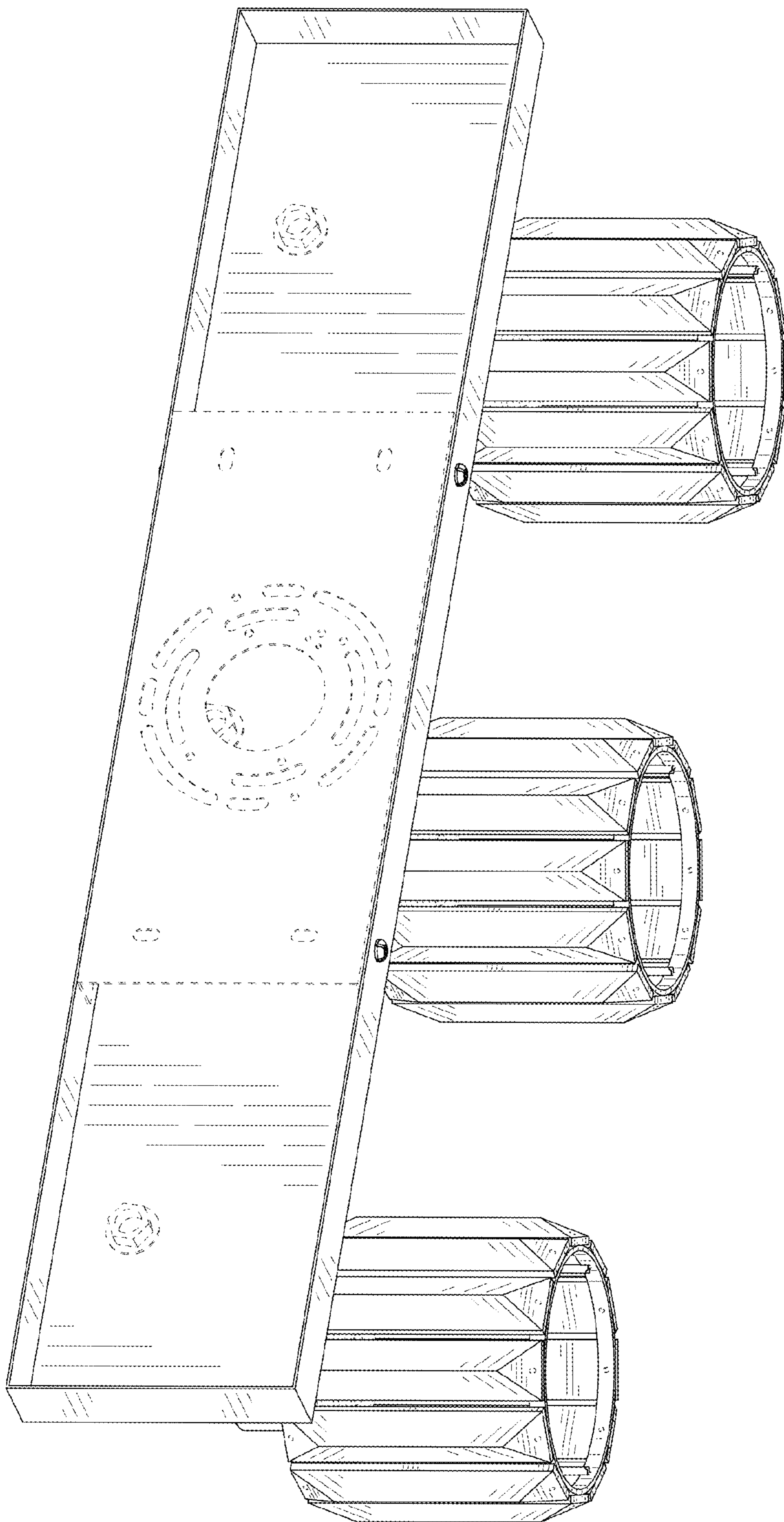


FIG. 2

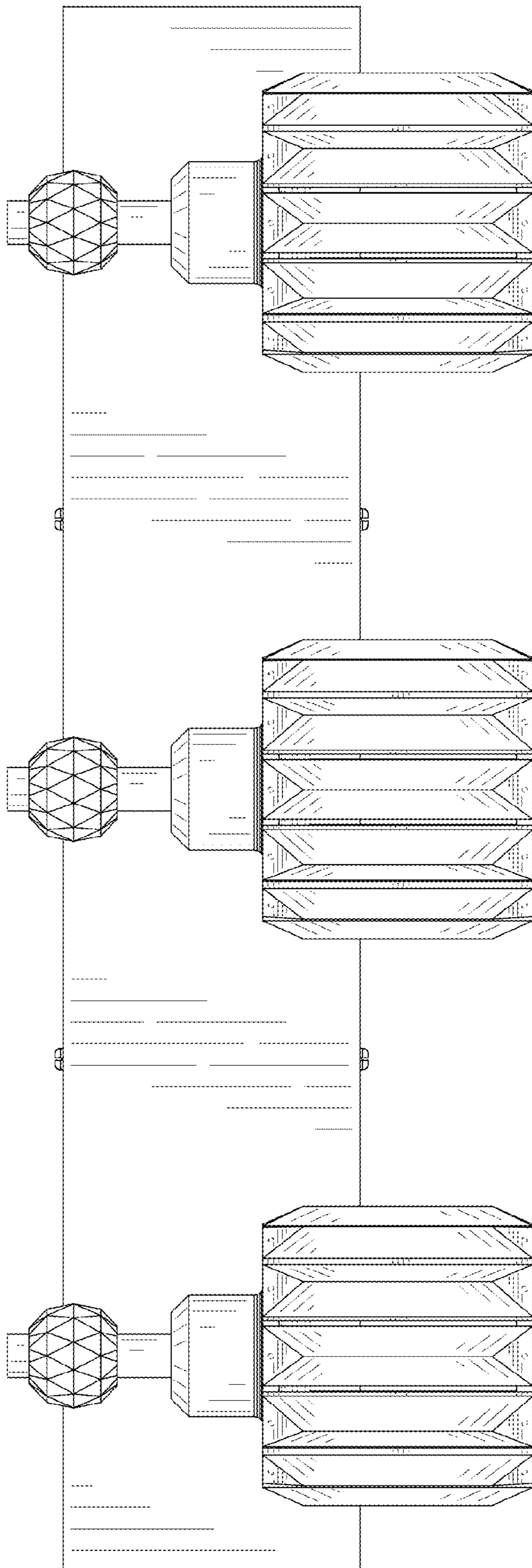


FIG. 3

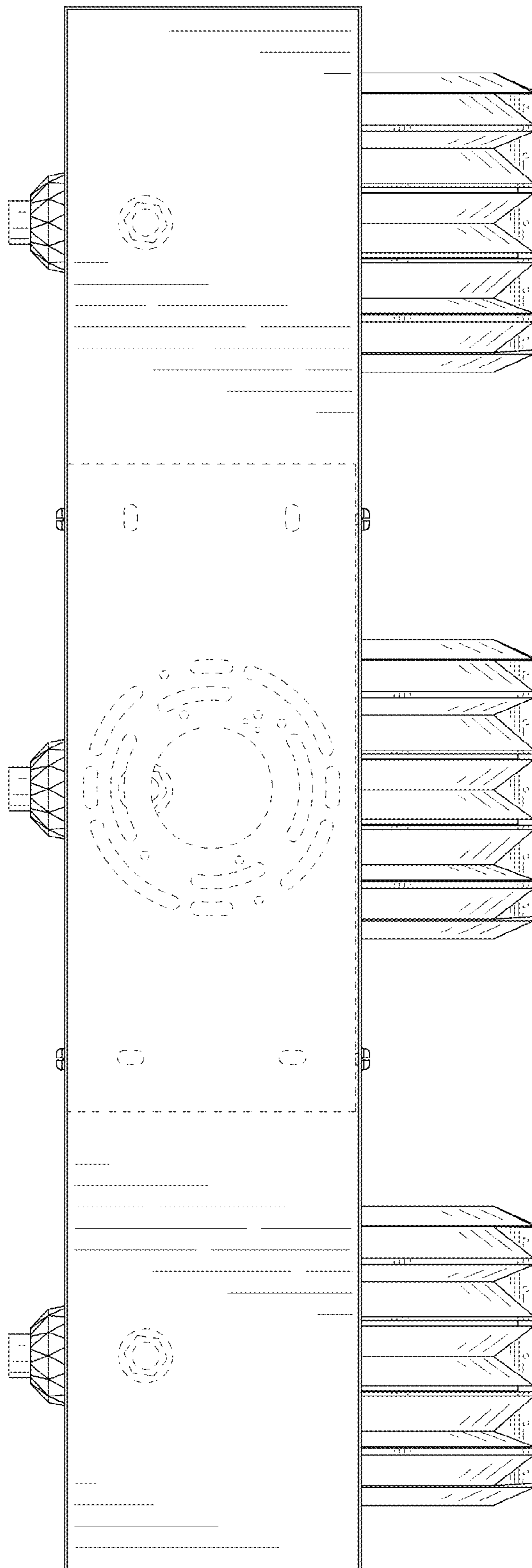


FIG. 4

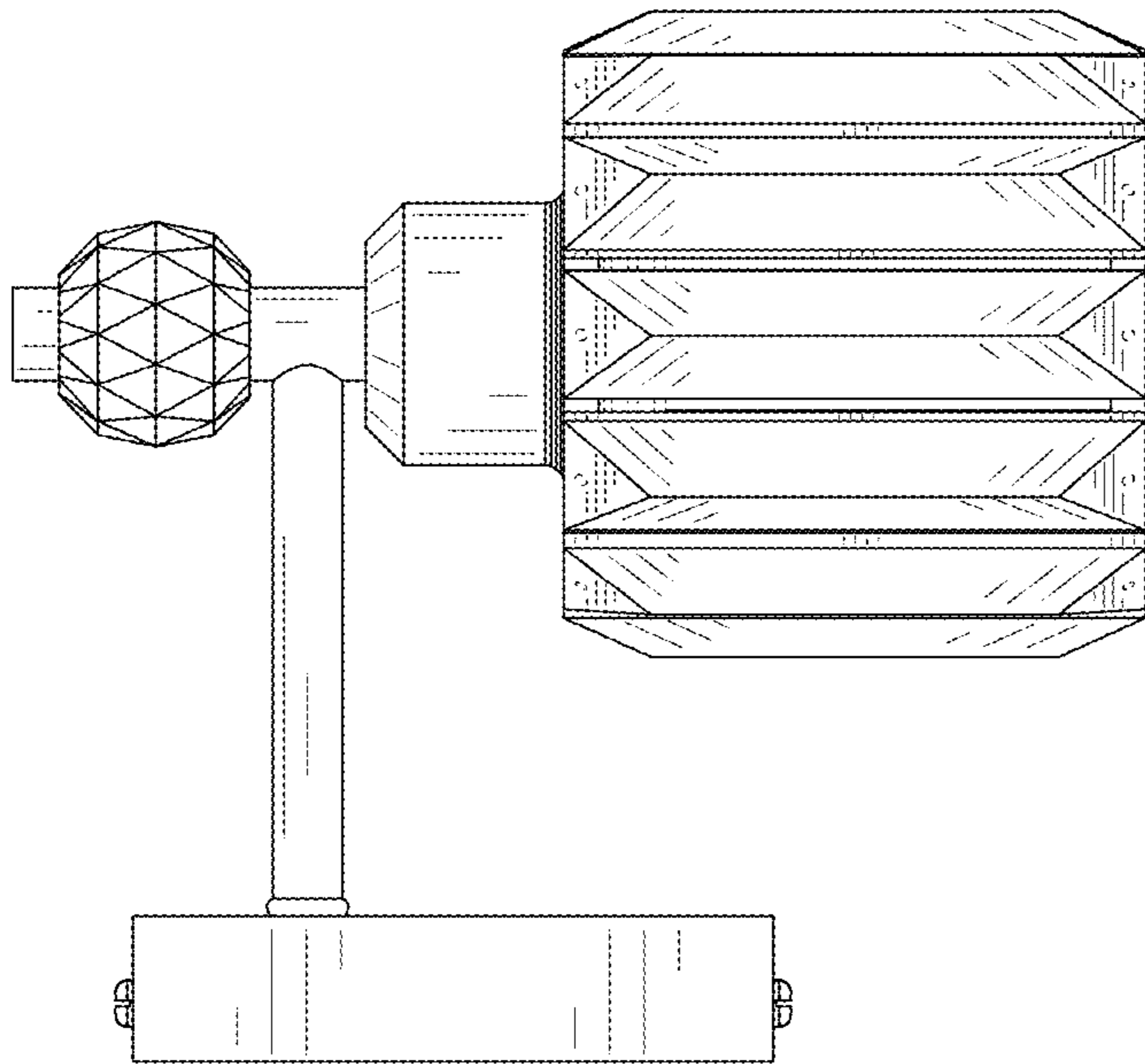


FIG. 5

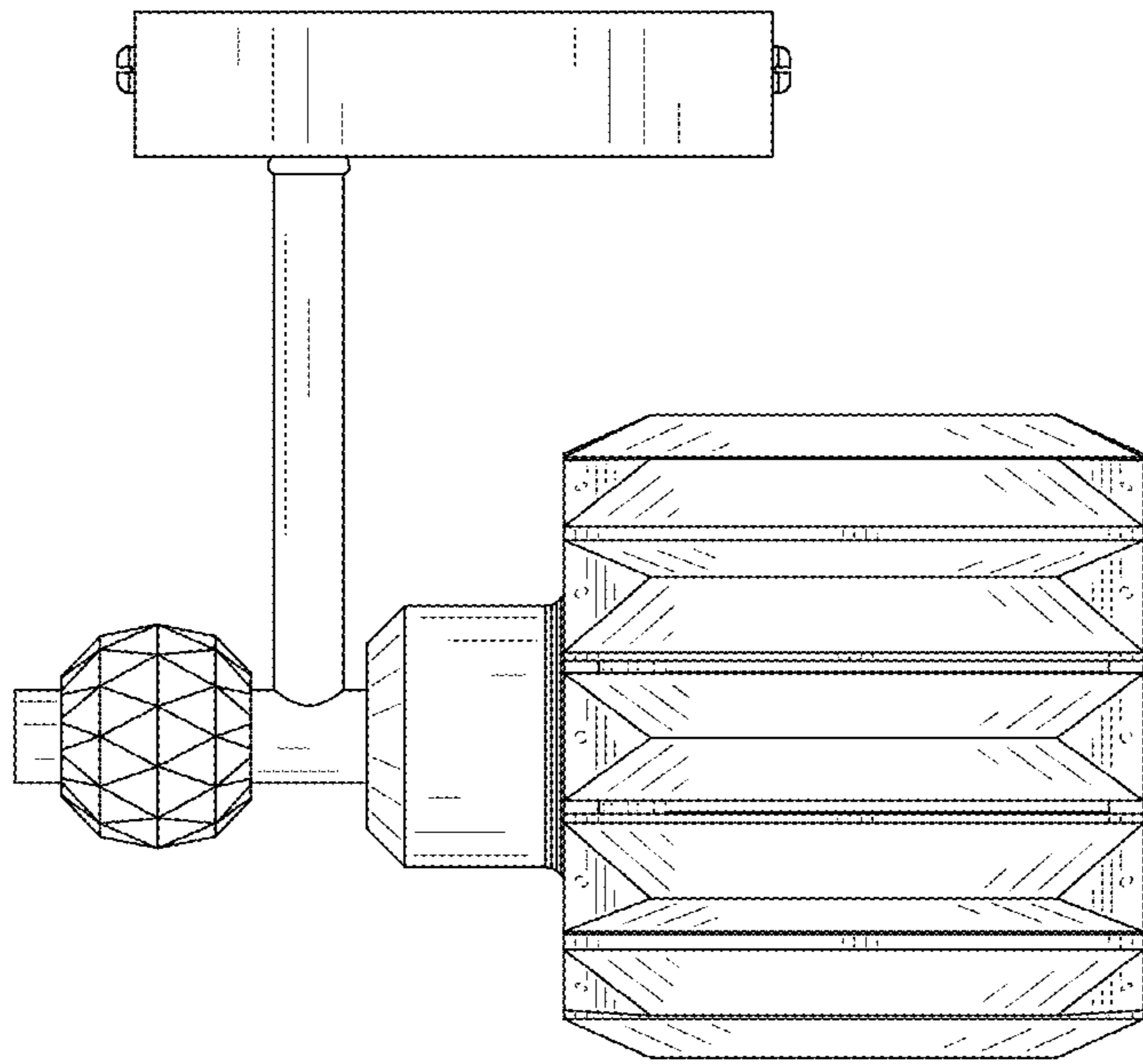


FIG. 6



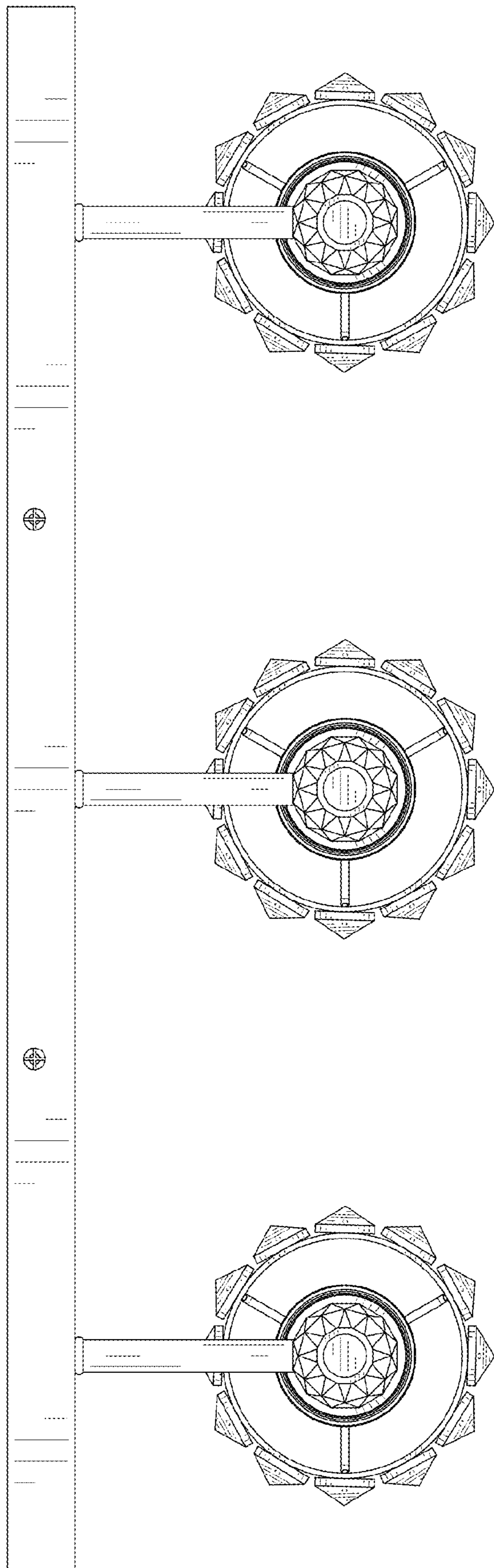


FIG. 7

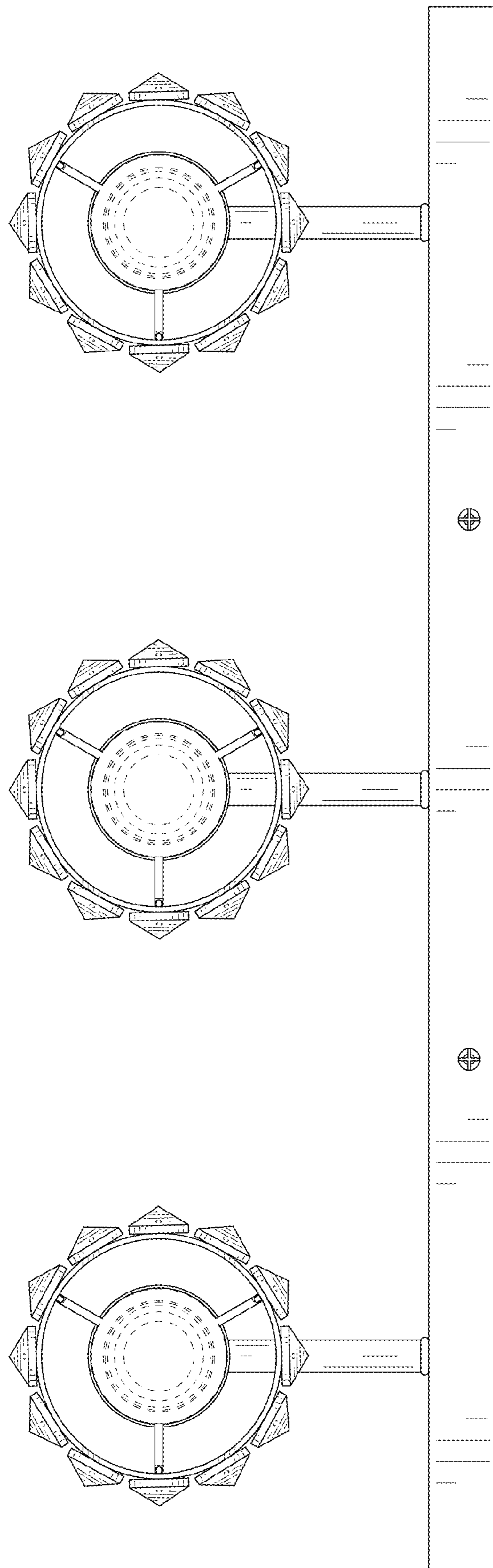


FIG. 8

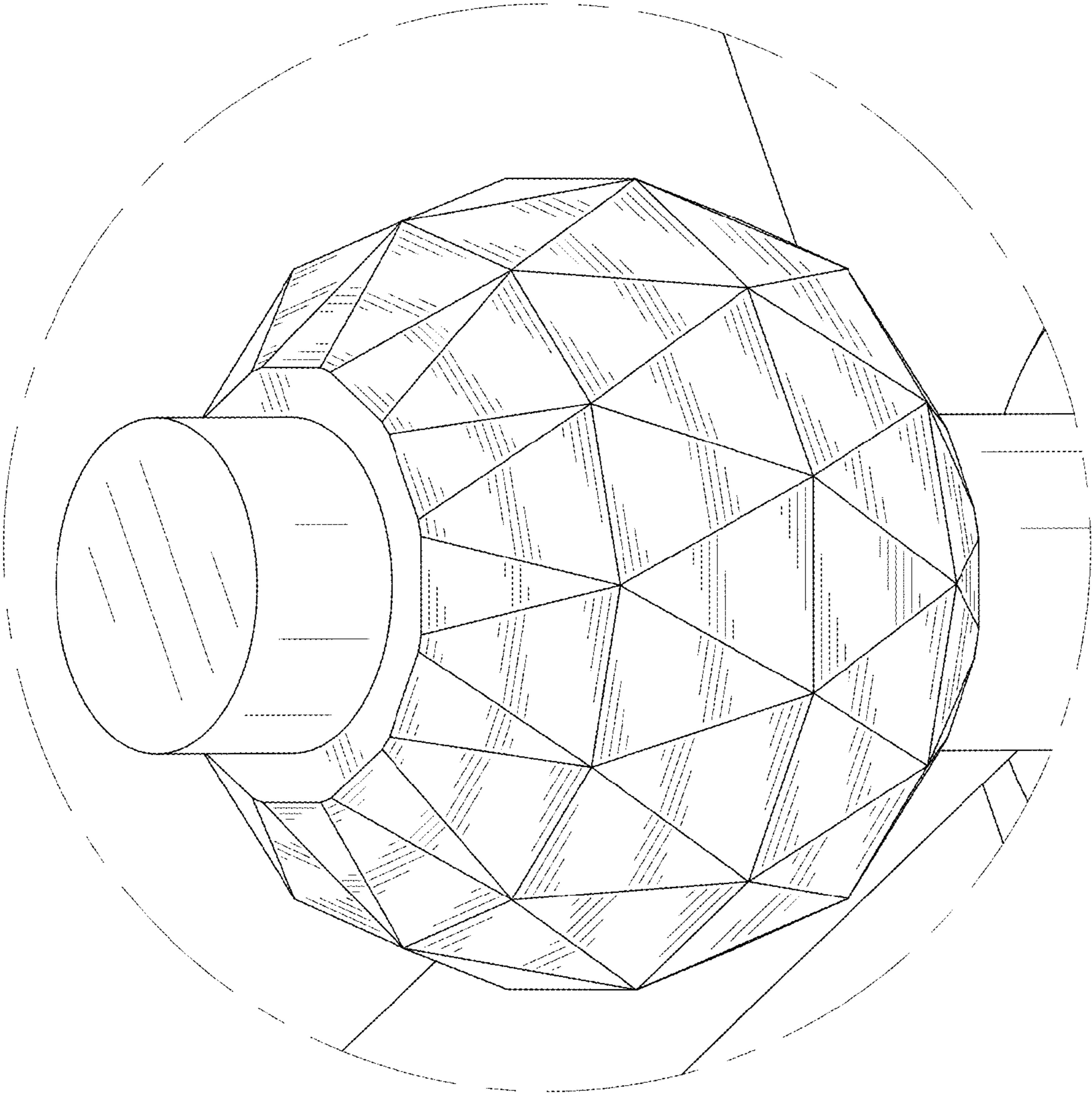


FIG. 9

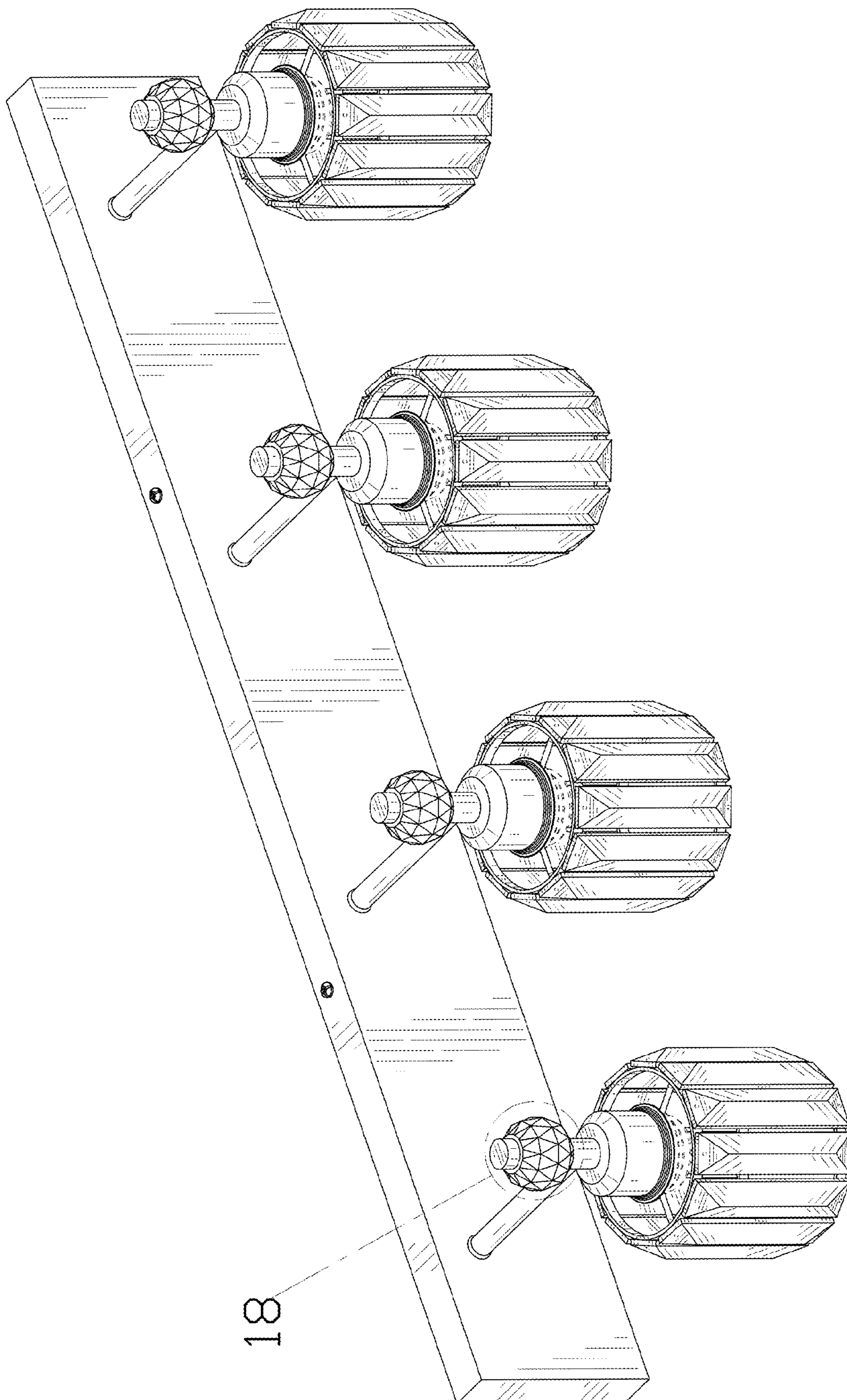


FIG. 10

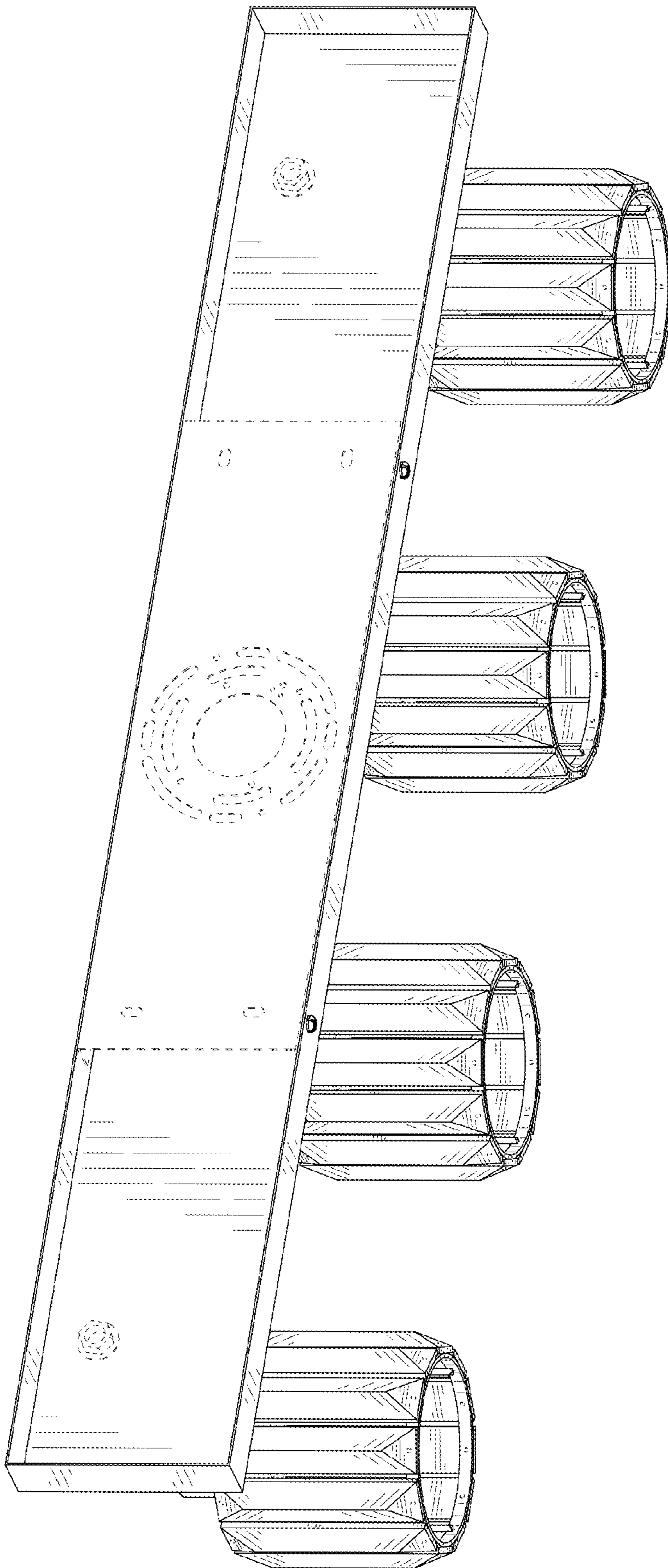


FIG. 11

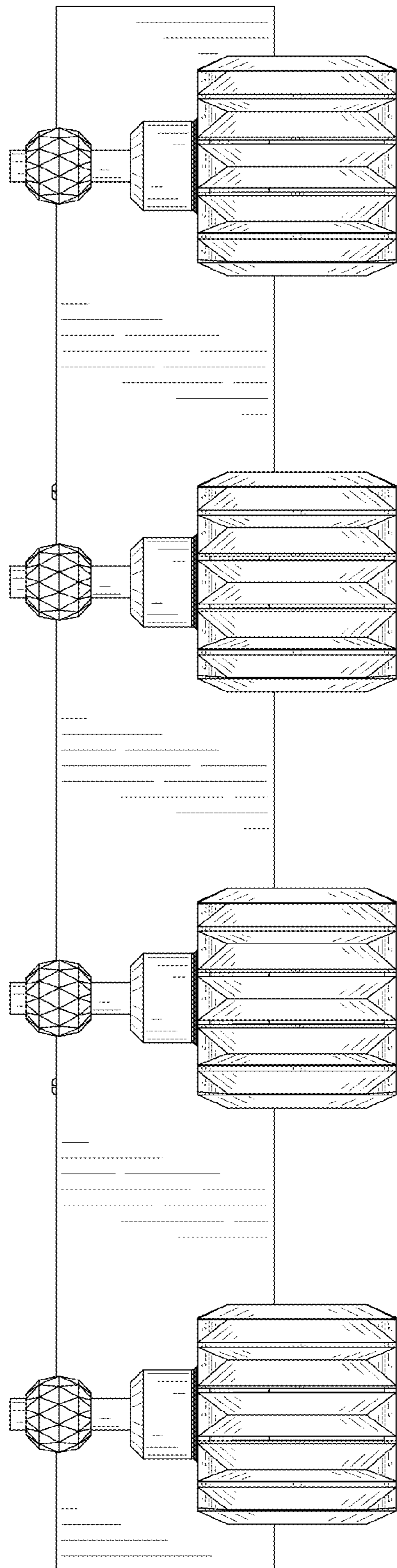


FIG. 12

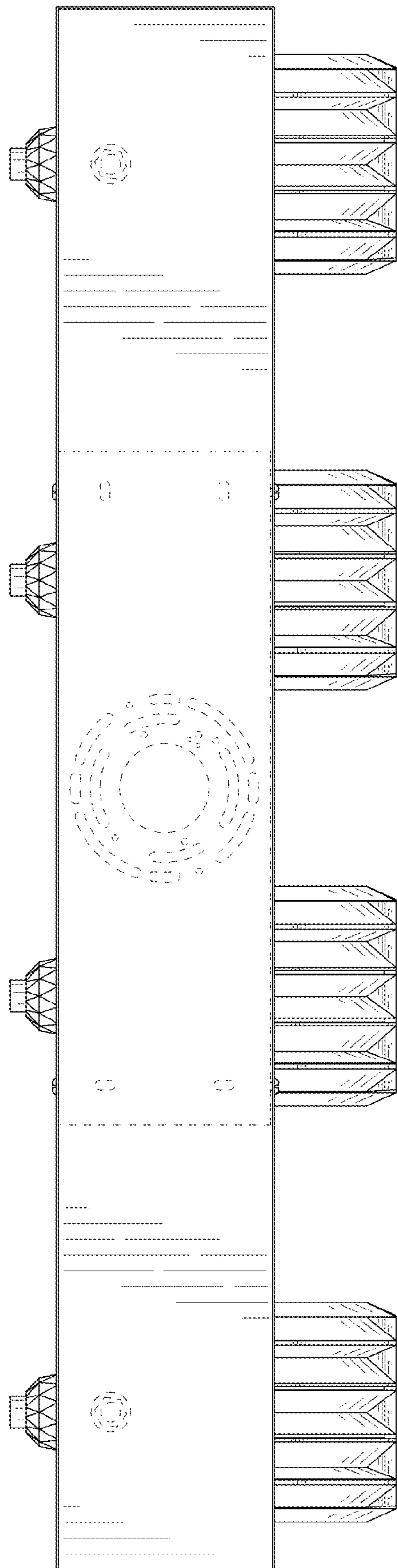


FIG. 13

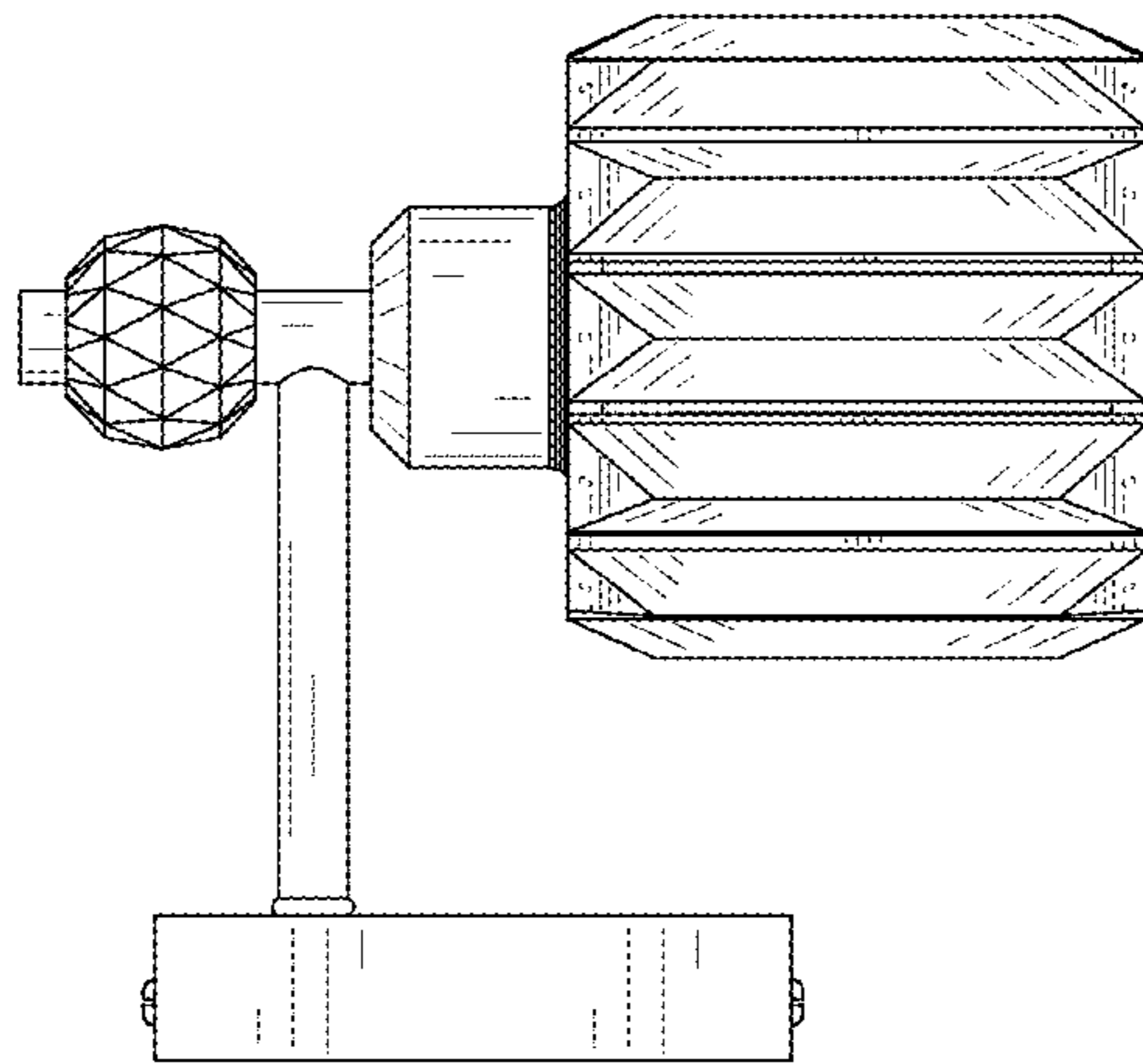


FIG. 14



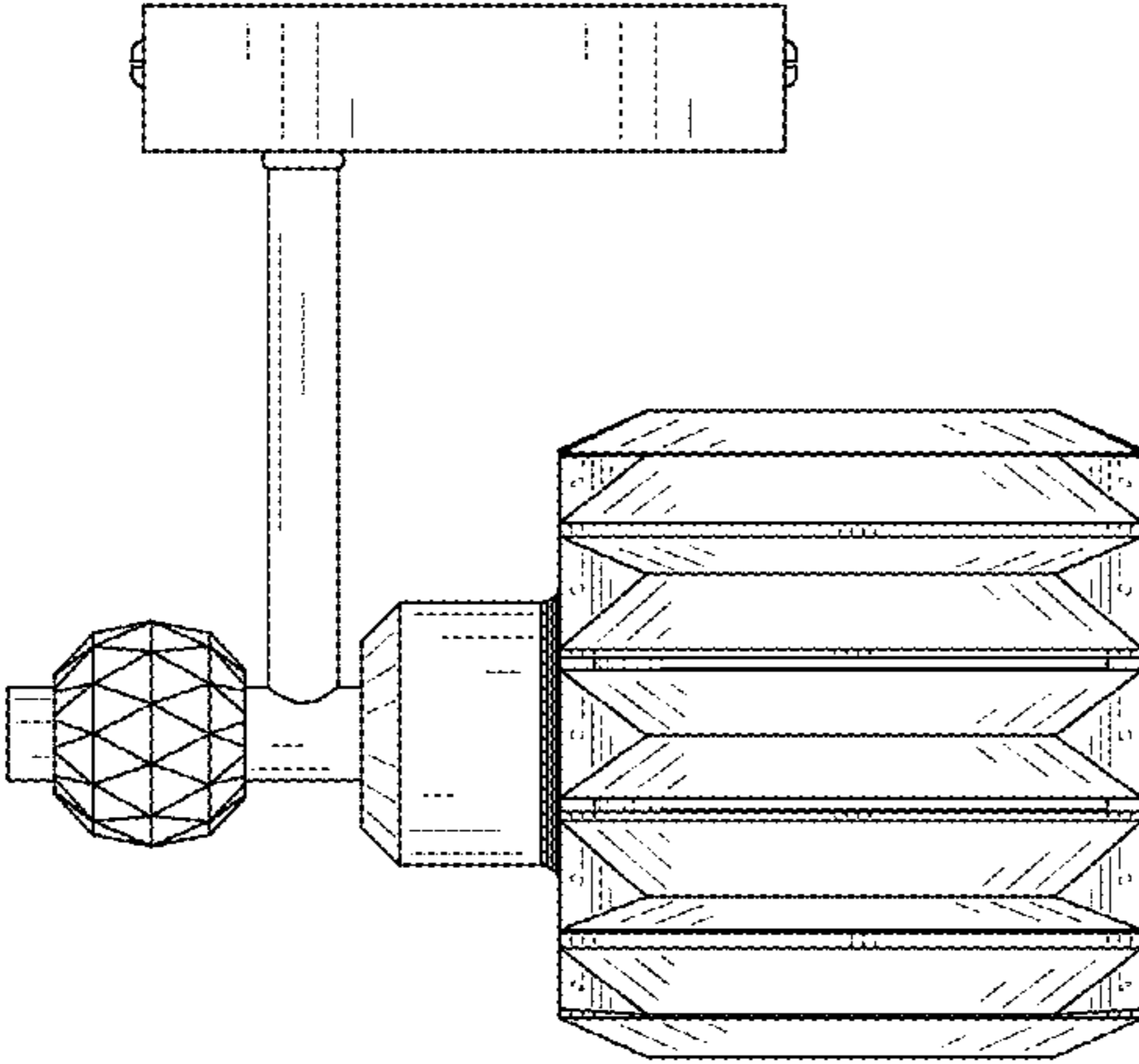


FIG. 15

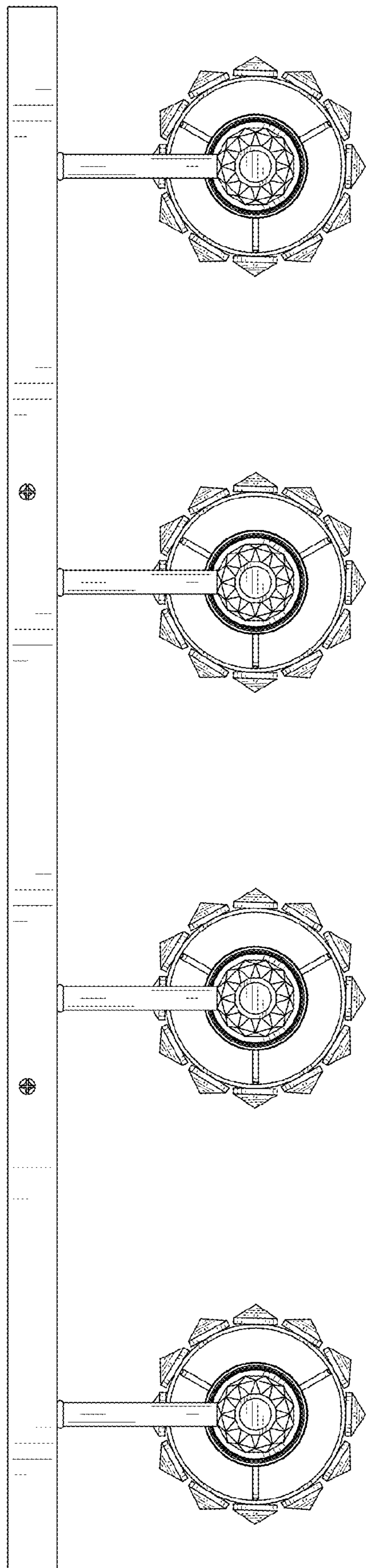


FIG. 16

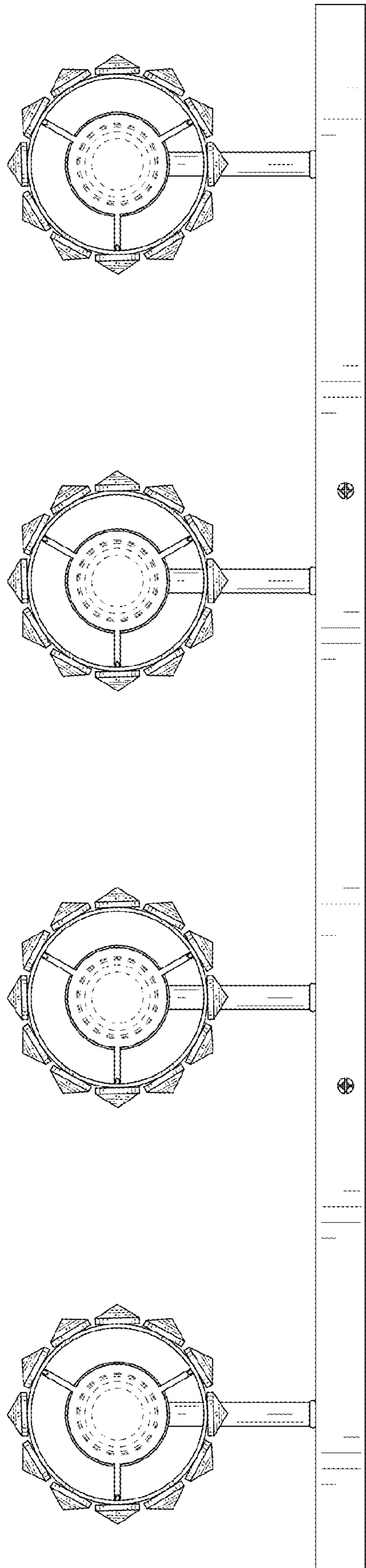


FIG. 17

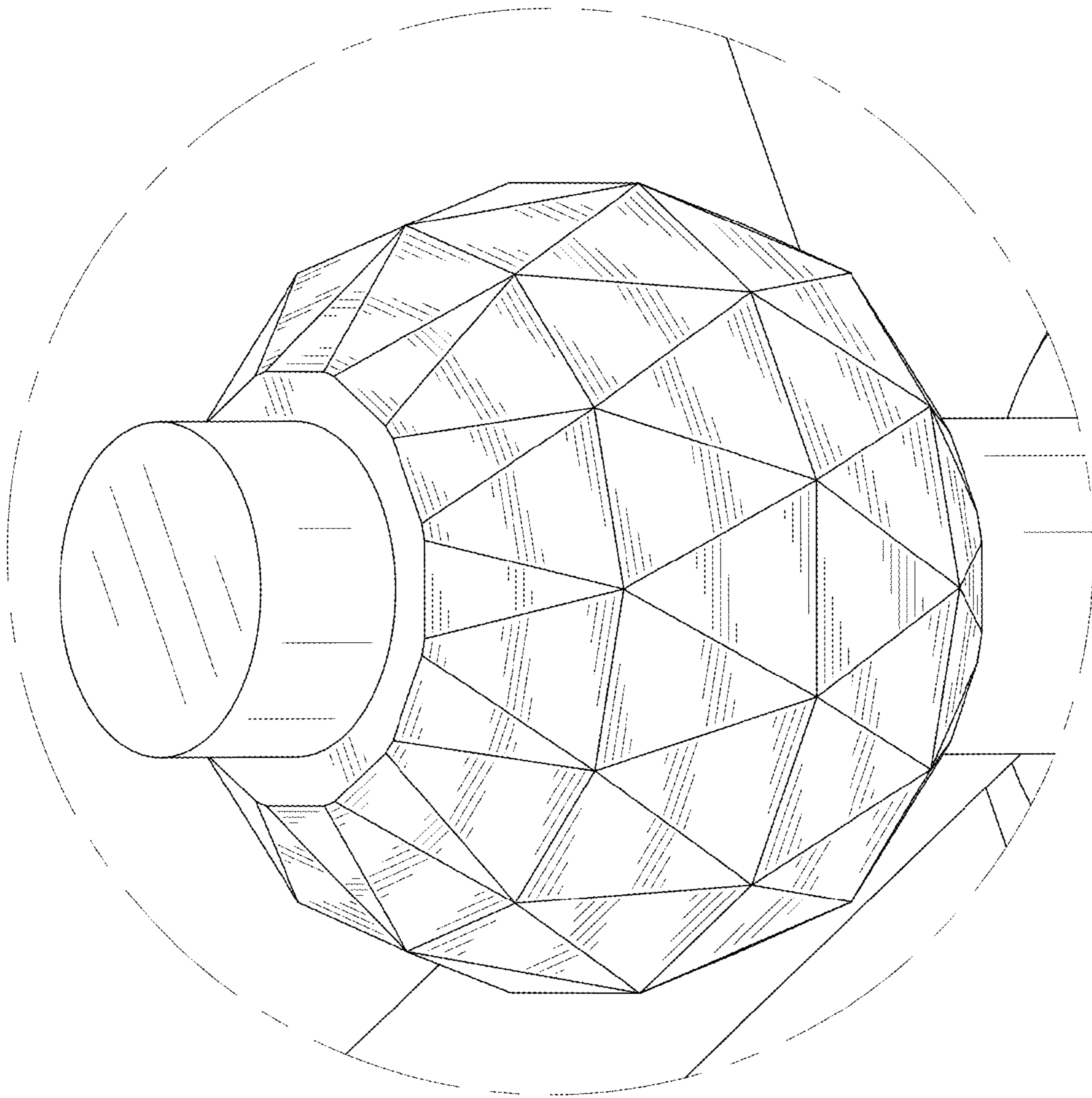


FIG. 18

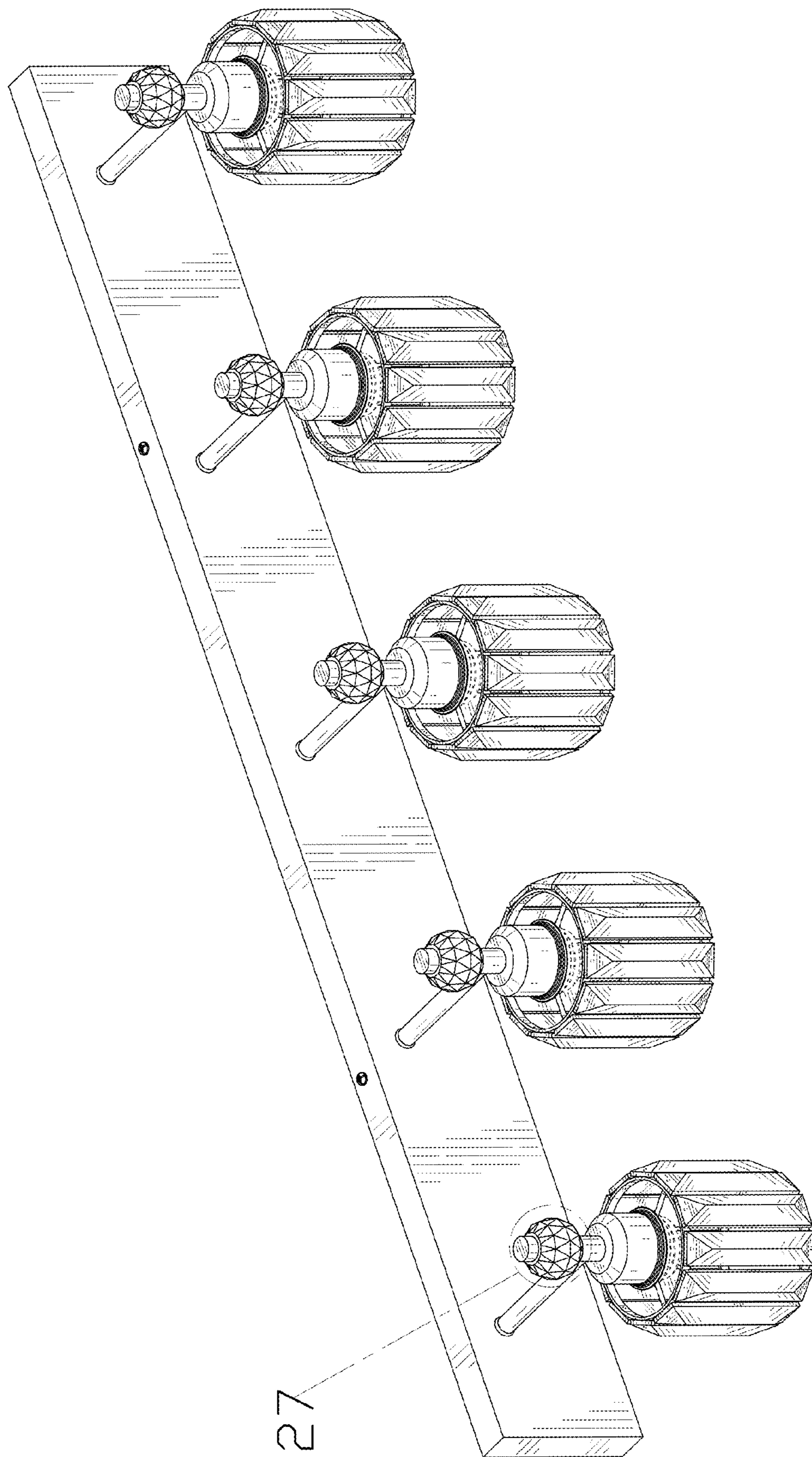


FIG. 19

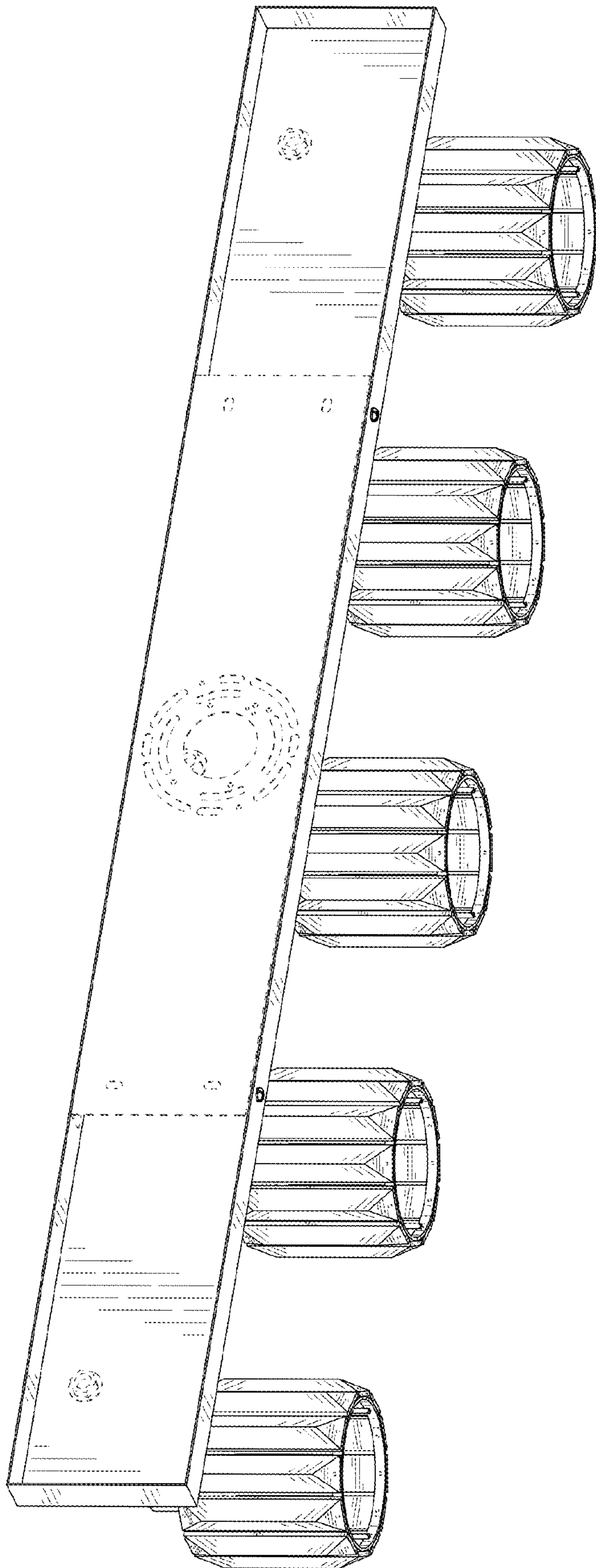


FIG. 20

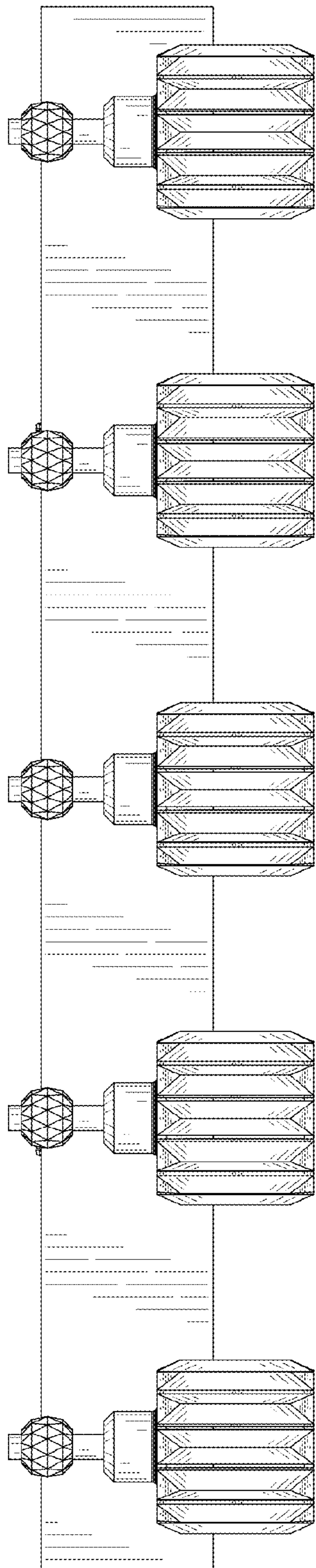


FIG. 21

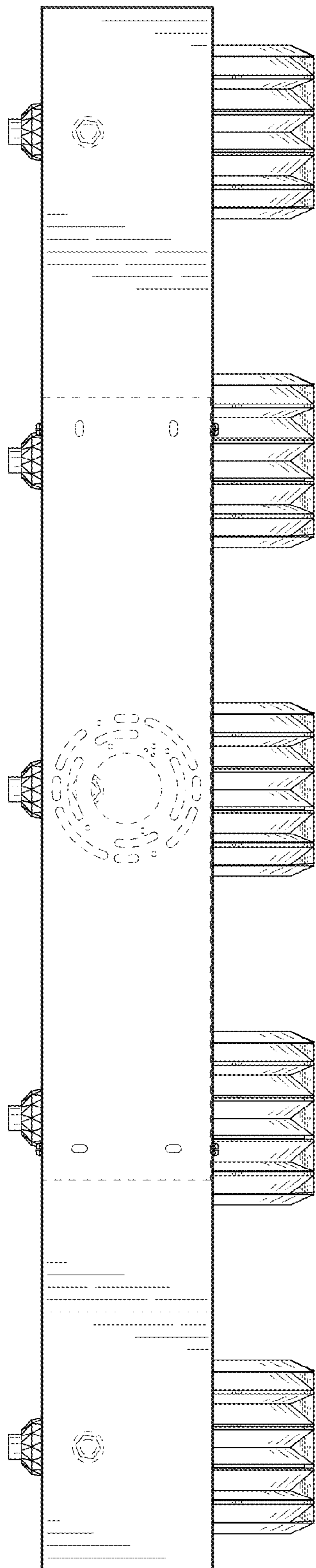


FIG. 22



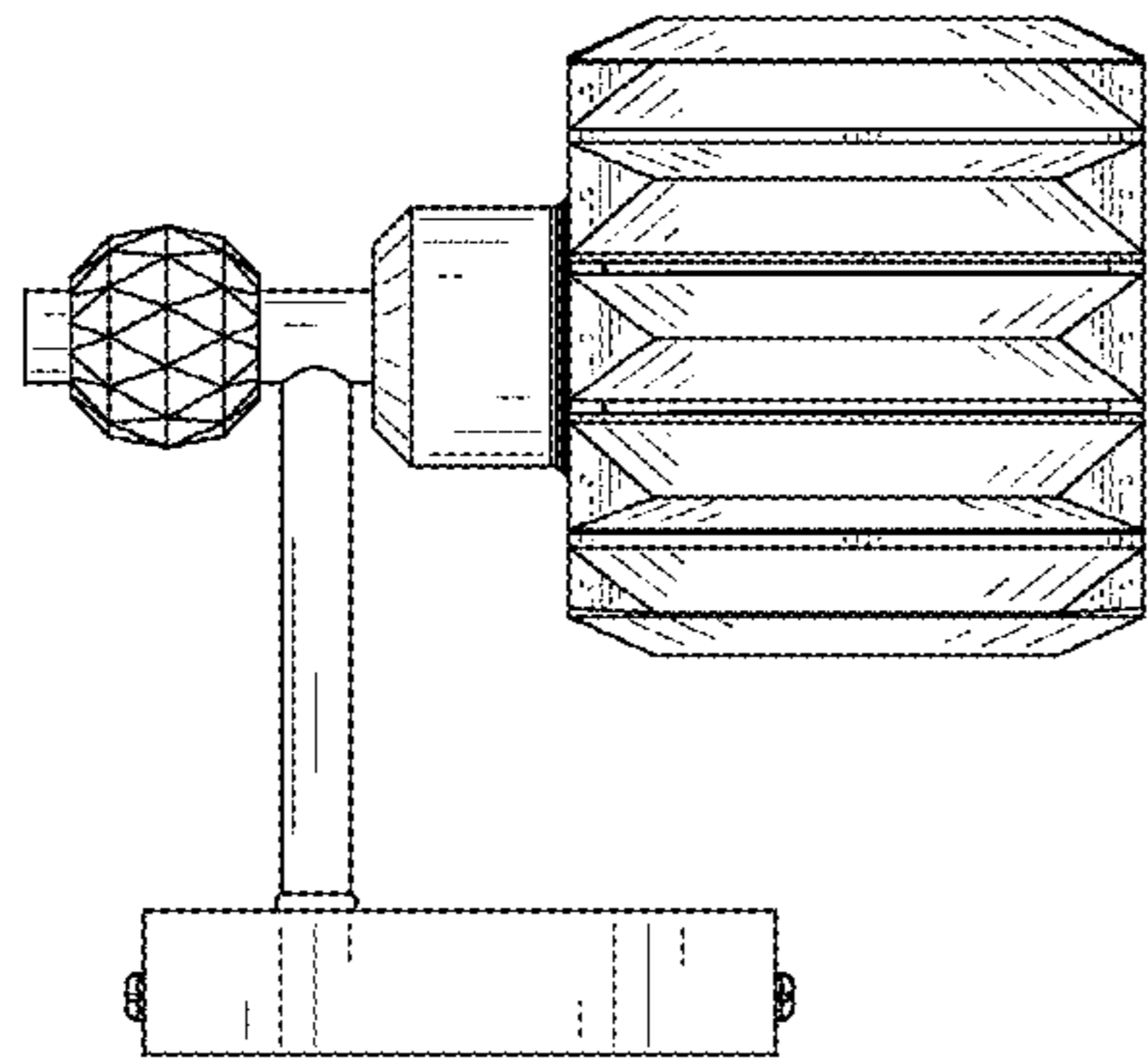


FIG. 23

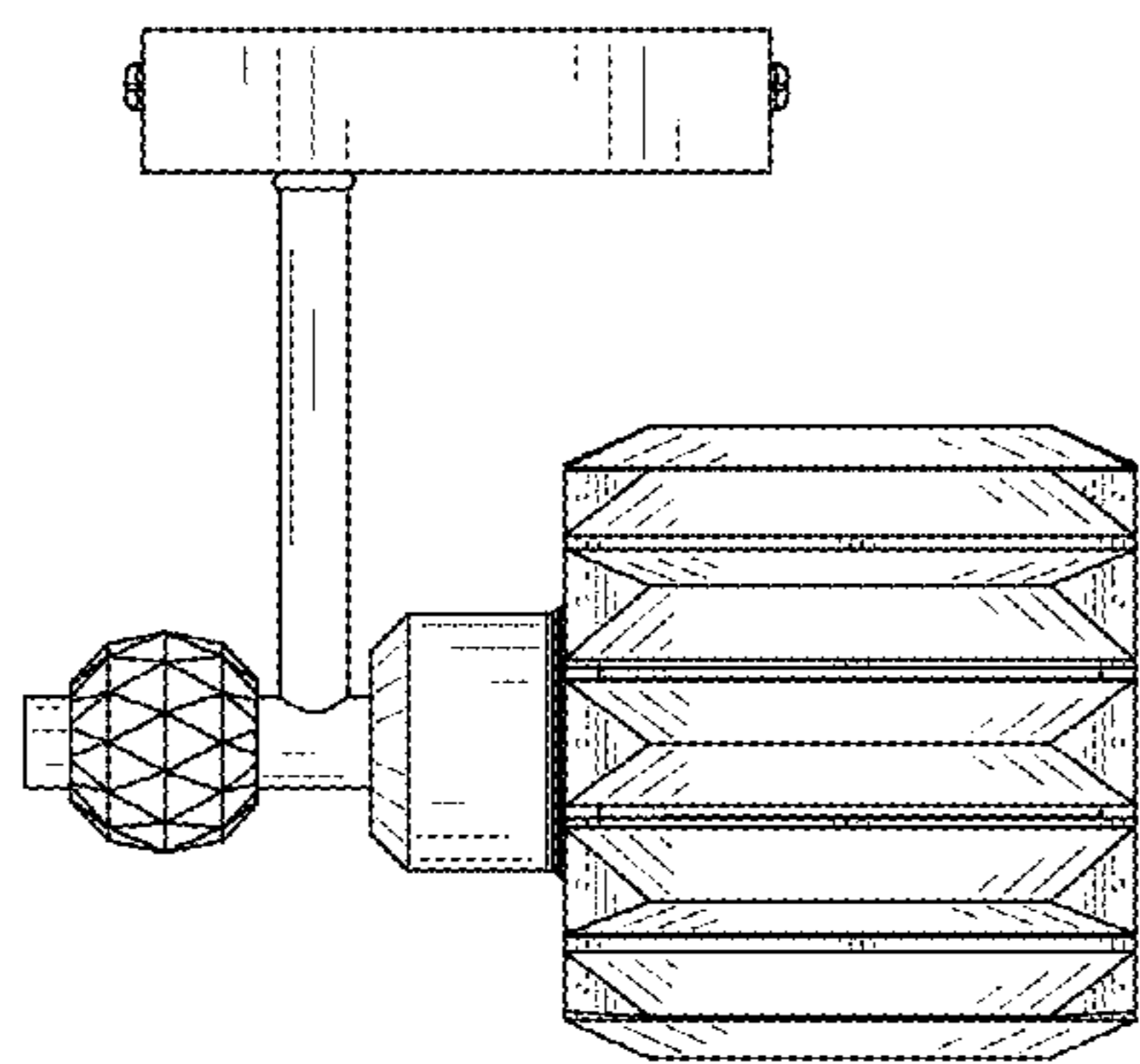


FIG. 24

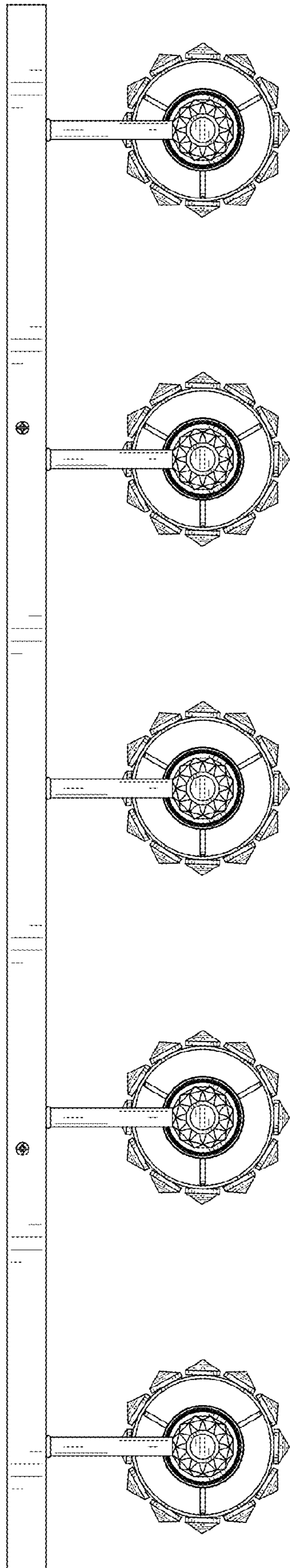


FIG. 25

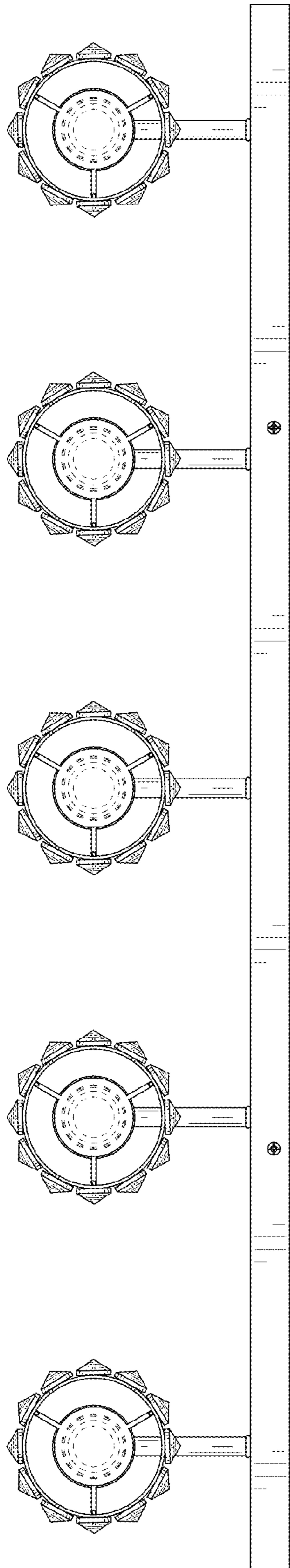


FIG. 26

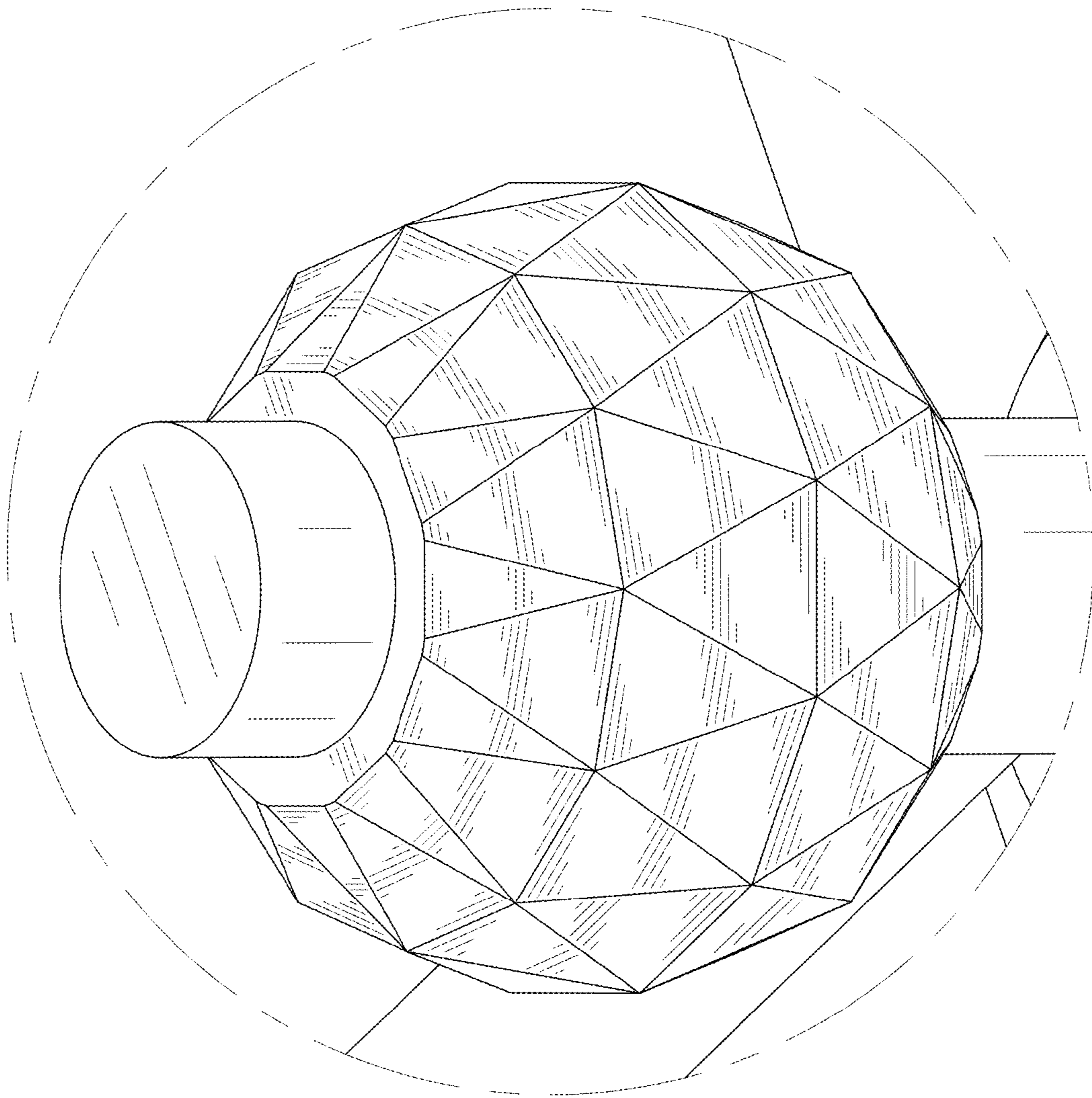


FIG. 27