



US00D967490S

(12) **United States Design Patent** (10) **Patent No.:** **US D967,490 S**  
**Ma** (45) **Date of Patent:** **\*\* Oct. 18, 2022**

(54) **LED SHOP LIGHT**  
(71) Applicant: **SHENZHEN ADUB TECHNOLOGY CO., LTD.**, Shenzhen (CN)  
(72) Inventor: **Yan Ma**, Shenzhen (CN)  
(73) Assignee: **SHENZHEN ADUB TECHNOLOGY CO., LTD.**, Shenzhen (CN)

D808,061 S \* 1/2018 Wouters ..... D26/78  
D817,534 S \* 5/2018 Noh ..... D26/76  
D824,548 S 7/2018 Bobel  
D824,570 S 7/2018 Bobel  
D840,087 S \* 2/2019 Zeng ..... D26/76  
D844,880 S \* 4/2019 Zeng ..... D26/76  
D877,958 S \* 3/2020 Liu ..... D26/76  
D885,634 S \* 5/2020 Bhavanbhai Patel ..... D26/76  
D922,635 S \* 6/2021 Gong ..... D26/35  
D927,037 S \* 8/2021 Chen ..... D26/74  
D957,025 S \* 7/2022 Qiu ..... D26/72

(\*\*) Term: **15 Years**

\* cited by examiner

(21) Appl. No.: **29/836,442**

*Primary Examiner* — Natasha Vujcic

(22) Filed: **Apr. 27, 2022**

(74) *Attorney, Agent, or Firm* — Daniel M. Cohn;  
Howard M. Cohn

(51) **LOC (13) Cl.** ..... **26-04**

(52) **U.S. Cl.**  
USPC ..... **D26/76**

(57) **CLAIM**

The ornamental design for an LED shop light, as shown and described.

(58) **Field of Classification Search**  
USPC ..... D26/72, 74, 76, 78–83, 85, 86, 87, 88,  
D26/90, 93, 111, 113, 118–122, 138, 139,  
D26/140, 141, 142, 152  
CPC ..... F21S 2/00; F21S 4/00; F21S 4/003; F21S  
4/005; F21S 4/006; F21S 4/007; F21S  
4/008; F21S 6/00; F21S 8/00; F21S  
8/024; F21S 8/026; F21S 8/031; F21S  
8/033; F21S 8/035–037; F21S 8/04; F21S  
8/043; F21S 8/063

**DESCRIPTION**

See application file for complete search history.

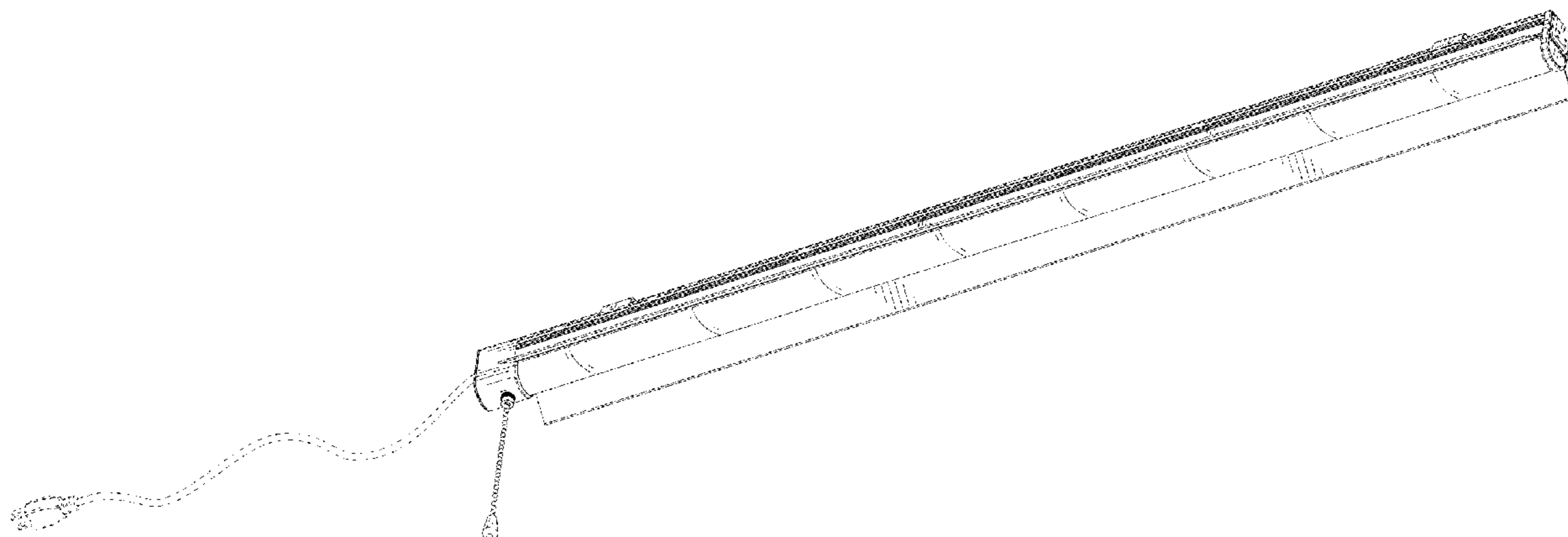
FIG. 1 is a perspective view of an LED shop light showing my new design;  
FIG. 2 is another perspective view thereof;  
FIG. 3 is a front elevational view thereof;  
FIG. 4 is a rear elevational view thereof;  
FIG. 5 is a left side elevational view thereof;  
FIG. 6 is a right side elevational view thereof;  
FIG. 7 is a top plan view thereof;  
FIG. 8 is a bottom plan view thereof;  
FIG. 9 is an enlarged view of portion 9 shown in FIG. 1;  
FIG. 10 is an enlarged view of portion 10 shown in FIG. 1; and,  
FIG. 11 is an enlarged view of portion 11 shown in FIG. 1.  
The dash-dash broken lines in the drawings depict portions of the LED shop light that form no part of the claimed design. The dot-dash broken lines represent boundaries of the enlarged portions and form no part of the claimed design.

(56) **References Cited**

U.S. PATENT DOCUMENTS

D582,576 S \* 12/2008 Liao ..... D26/2  
D603,079 S \* 10/2009 Toot ..... D26/118  
D606,673 S \* 12/2009 Kao ..... D26/3  
D660,472 S \* 5/2012 Aguiar ..... D26/3  
D735,390 S \* 7/2015 Yanping ..... D26/74  
D754,902 S \* 4/2016 Parker ..... D26/76  
D785,820 S \* 5/2017 Gao ..... D26/2  
D793,603 S \* 8/2017 Parker ..... D26/76

**1 Claim, 11 Drawing Sheets**



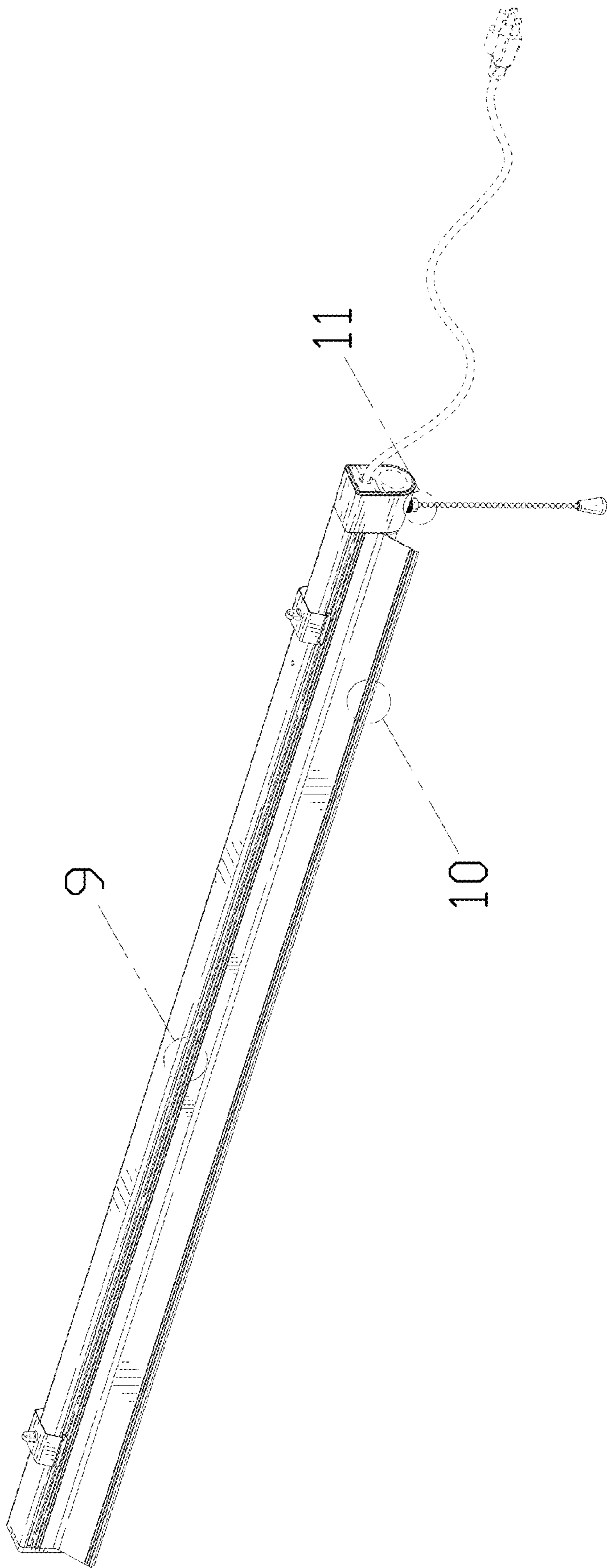


FIG. 1

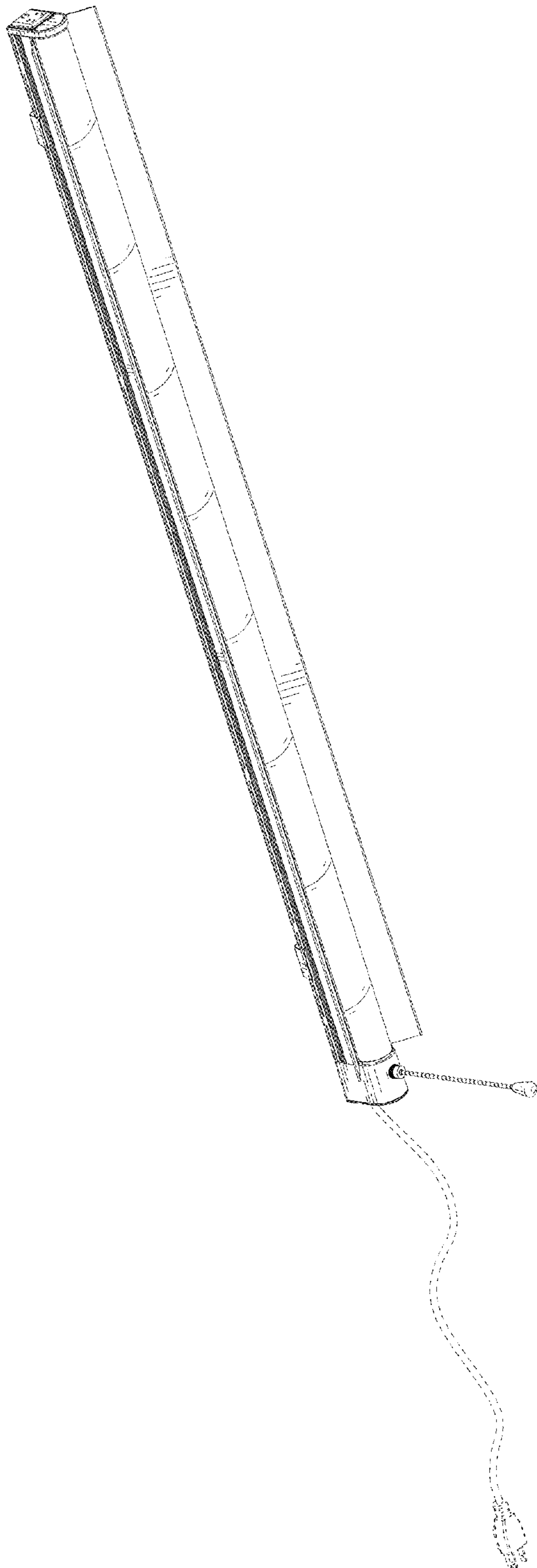


FIG. 2

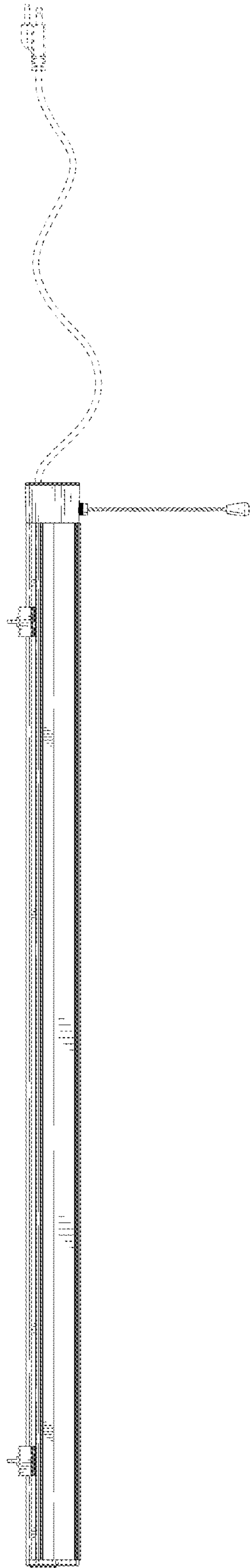


FIG. 3

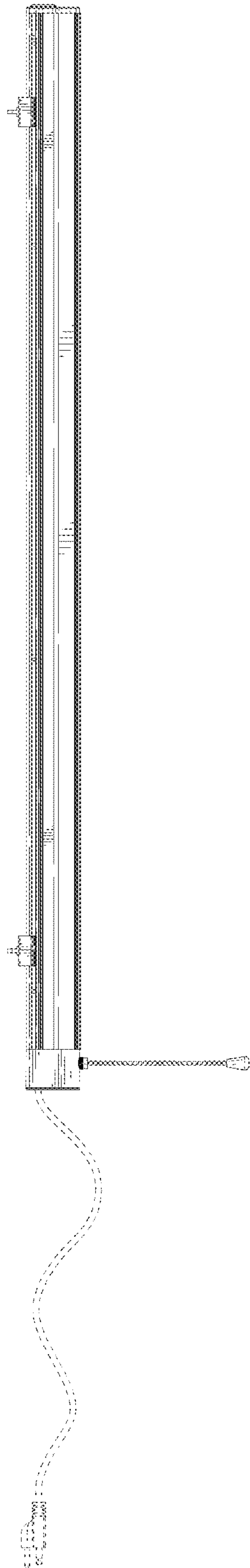


FIG. 4

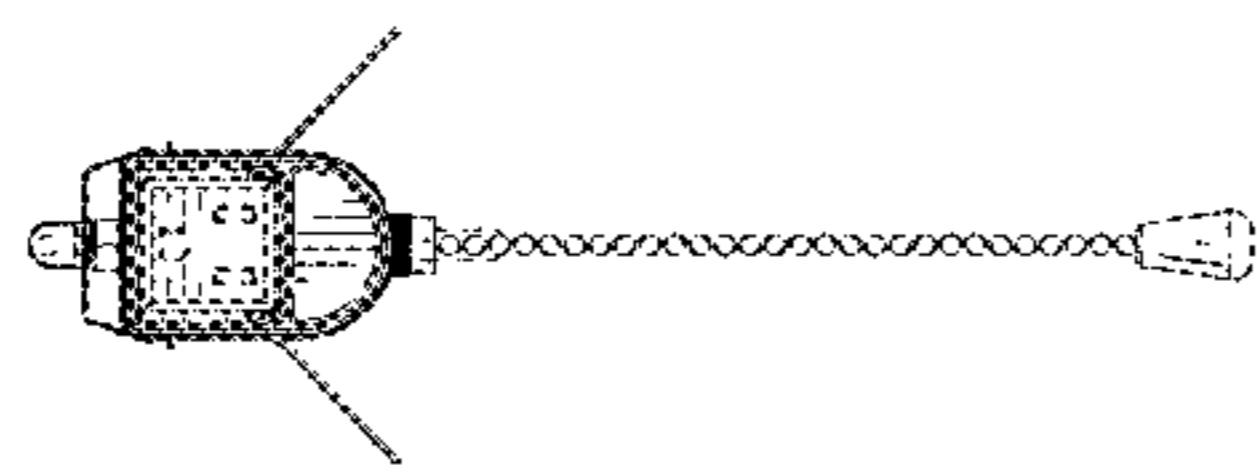


FIG. 5

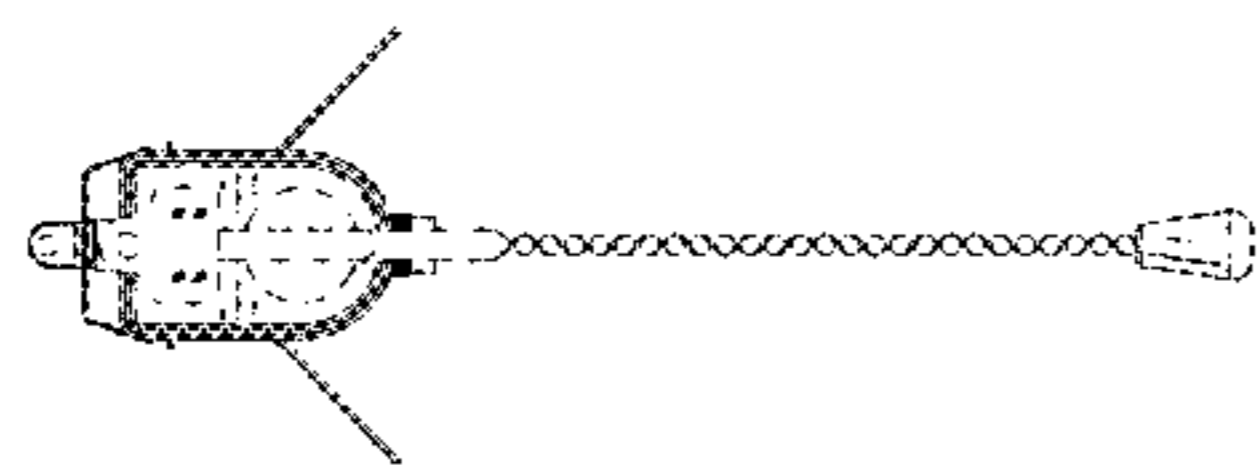


FIG. 6

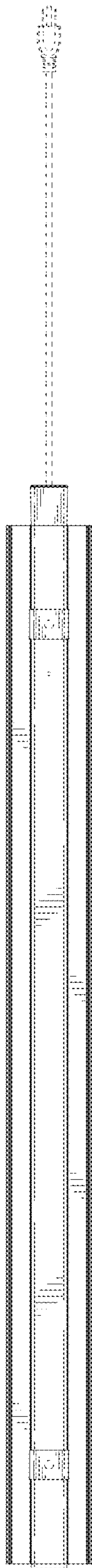


FIG. 7



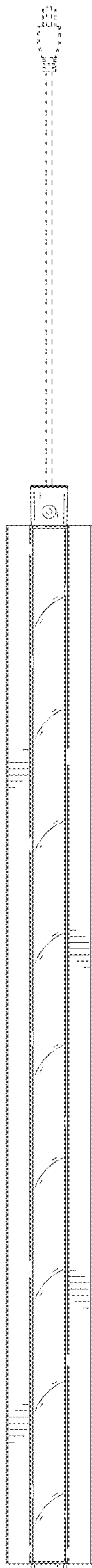


FIG. 8

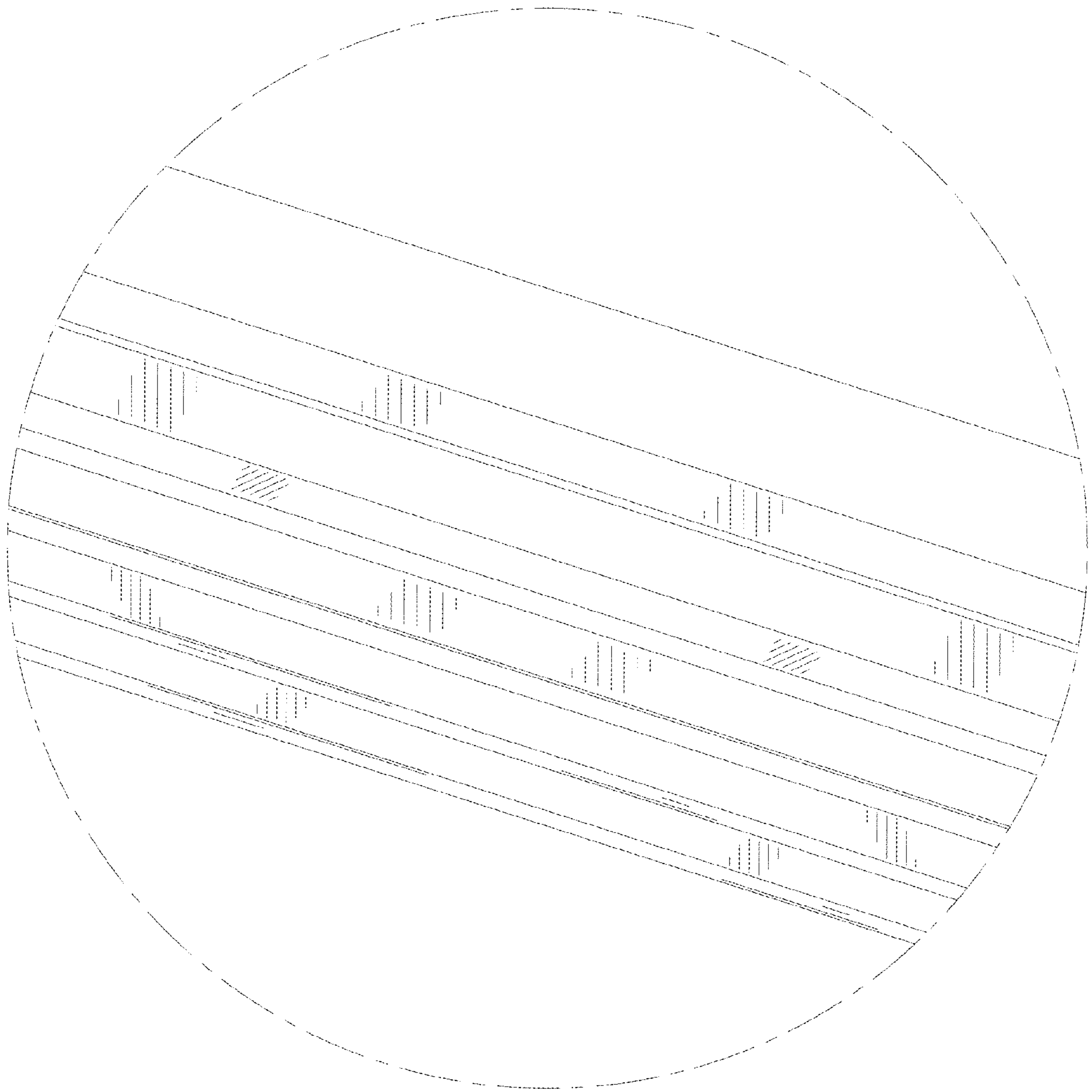


FIG. 9

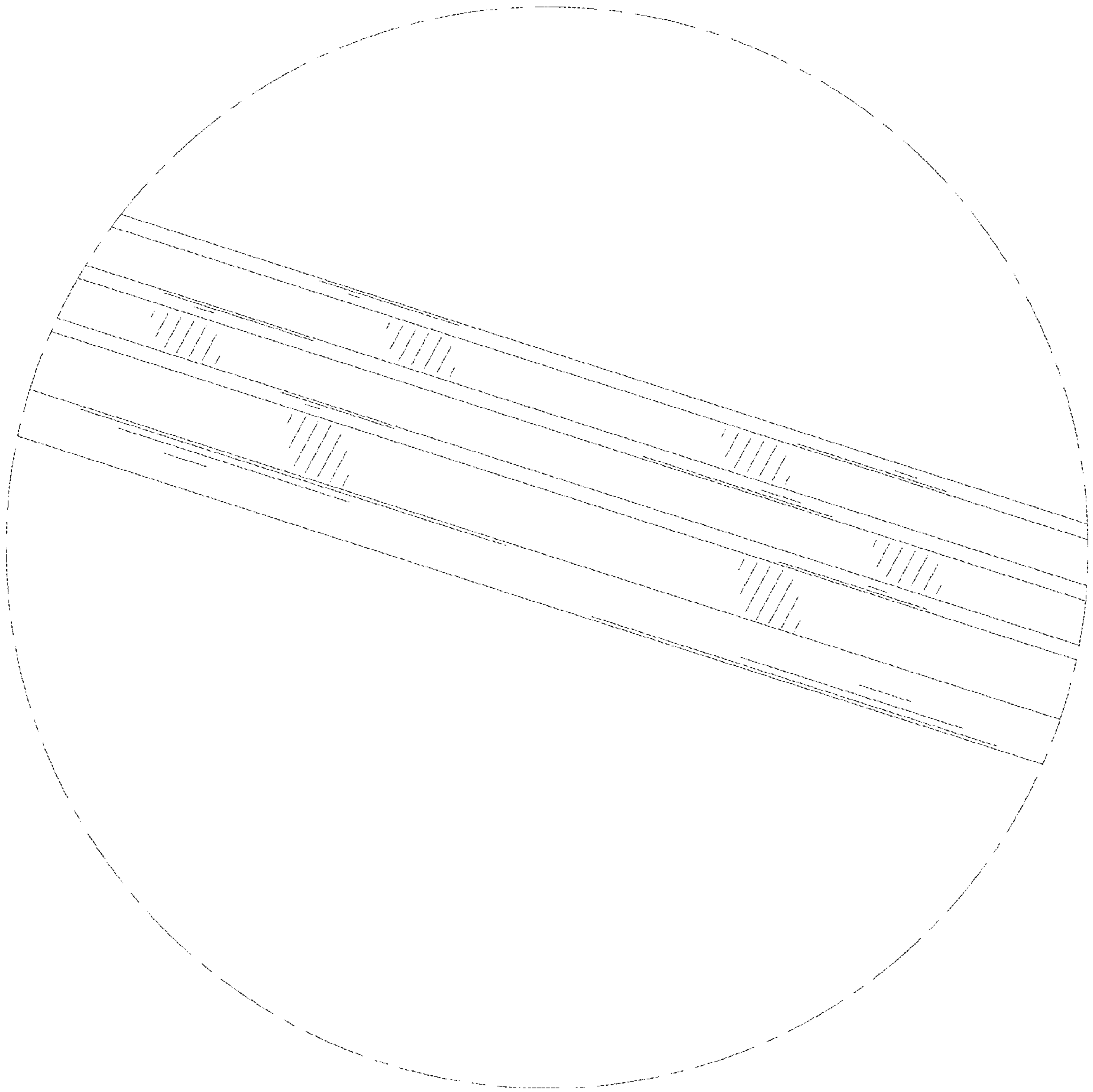


FIG. 10

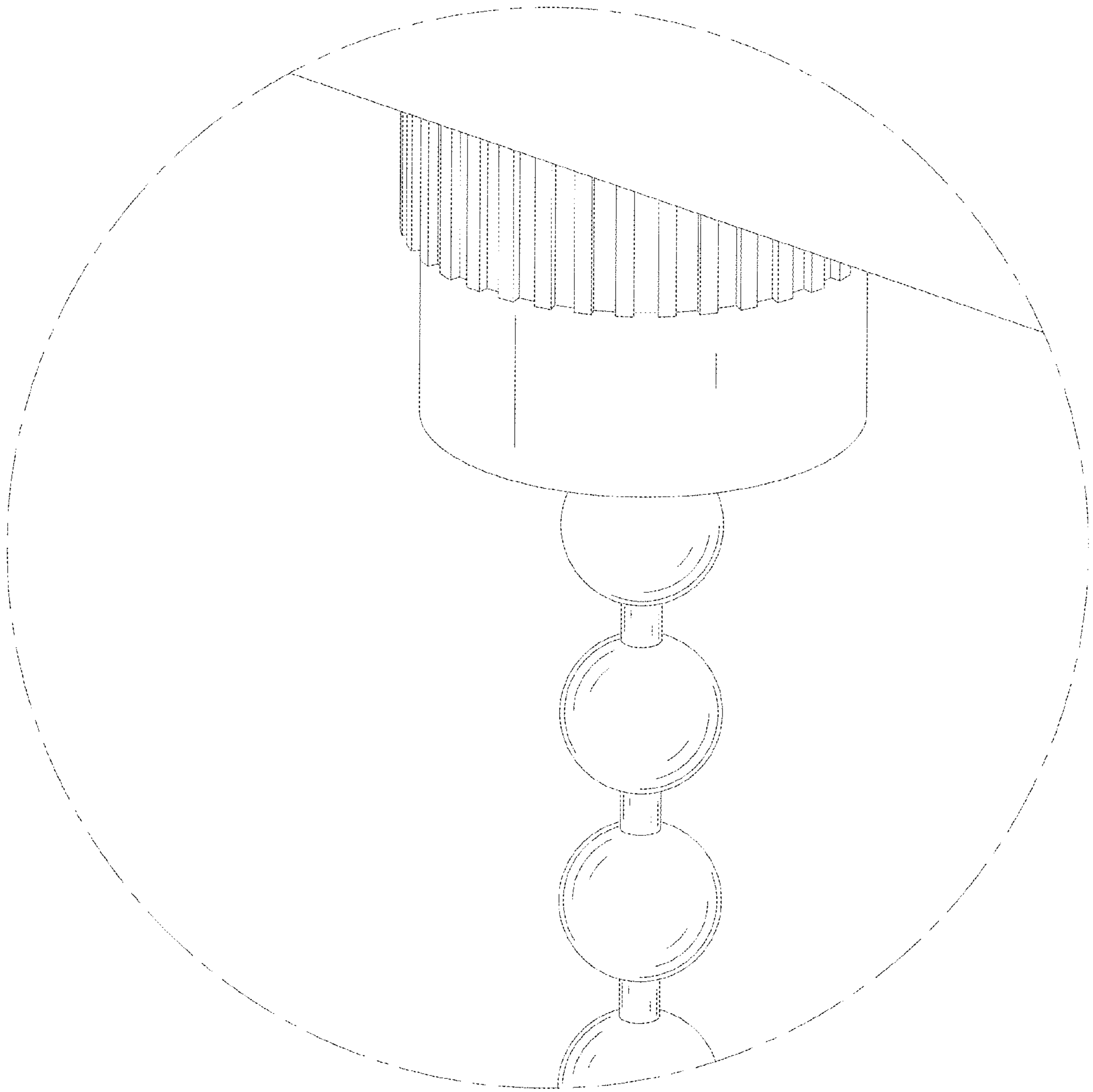


FIG. 11