



US00D967487S

(12) **United States Design Patent** (10) **Patent No.:** **US D967,487 S**  
**Xu** (45) **Date of Patent:** **\*\* Oct. 18, 2022**

(54) **SOLAR LAMP**

(71) Applicant: **Zhiming Xu**, Zhongshan (CN)

(72) Inventor: **Zhiming Xu**, Zhongshan (CN)

(\*\*) Term: **15 Years**

(21) Appl. No.: **29/790,616**

(22) Filed: **Dec. 6, 2021**

(51) **LOC (13) Cl.** ..... **26-05**

(52) **U.S. Cl.**  
USPC ..... **D26/67**

(58) **Field of Classification Search**  
USPC ..... D26/63, 67-70, 73, 85  
CPC .... F21S 8/03; F21S 8/033; F21S 8/036; F21S  
8/081; F21S 9/035; F21S 9/037; F21W  
2111/02; F21W 2111/023; F21W  
2131/109

See application file for complete search history.

(56) **References Cited**

**U.S. PATENT DOCUMENTS**

D574,535 S	*	8/2008	Sanoner	.....	D26/92
D868,344 S	*	11/2019	Sonneman	.....	D26/118
D892,381 S		8/2020	Lin		
D898,972 S		10/2020	Pei		
D899,658 S	*	10/2020	Wang	.....	D26/67
D908,942 S	*	1/2021	Pan	.....	D26/68
D911,574 S		2/2021	Hui et al.		
D958,434 S	*	7/2022	Xia	.....	D26/67
D959,039 S	*	7/2022	Yang	.....	D26/67

**OTHER PUBLICATIONS**

LCMKR Solar Pathway Lights, ASIN: B09QCTR4K7. Available from amazon.com Jan. 13, 2022. (Year: 2022).\*

SunBonar Solar Pathway Lights, ASIN: B09KRSSRQ6. Available from amazon.com Nov. 1, 2021. (Year: 2021).\*

ROSHWEY Outdoor Solar Lights, ASIN: B09ZL7DK43. Available from amazon.com May 5, 2022. (Year: 2022).\*

\* cited by examiner

*Primary Examiner* — Clare E Heflin

(74) *Attorney, Agent, or Firm* — Zhihua Han

(57) **CLAIM**

The ornamental design for a solar lamp, as shown and described.

**DESCRIPTION**

FIG. 1 is a first perspective view of a solar lamp showing my new design;

FIG. 2 is a second perspective view thereof;

FIG. 3 is a front view thereof;

FIG. 4 is a back view thereof;

FIG. 5 is a left side view thereof;

FIG. 6 is a right side view thereof;

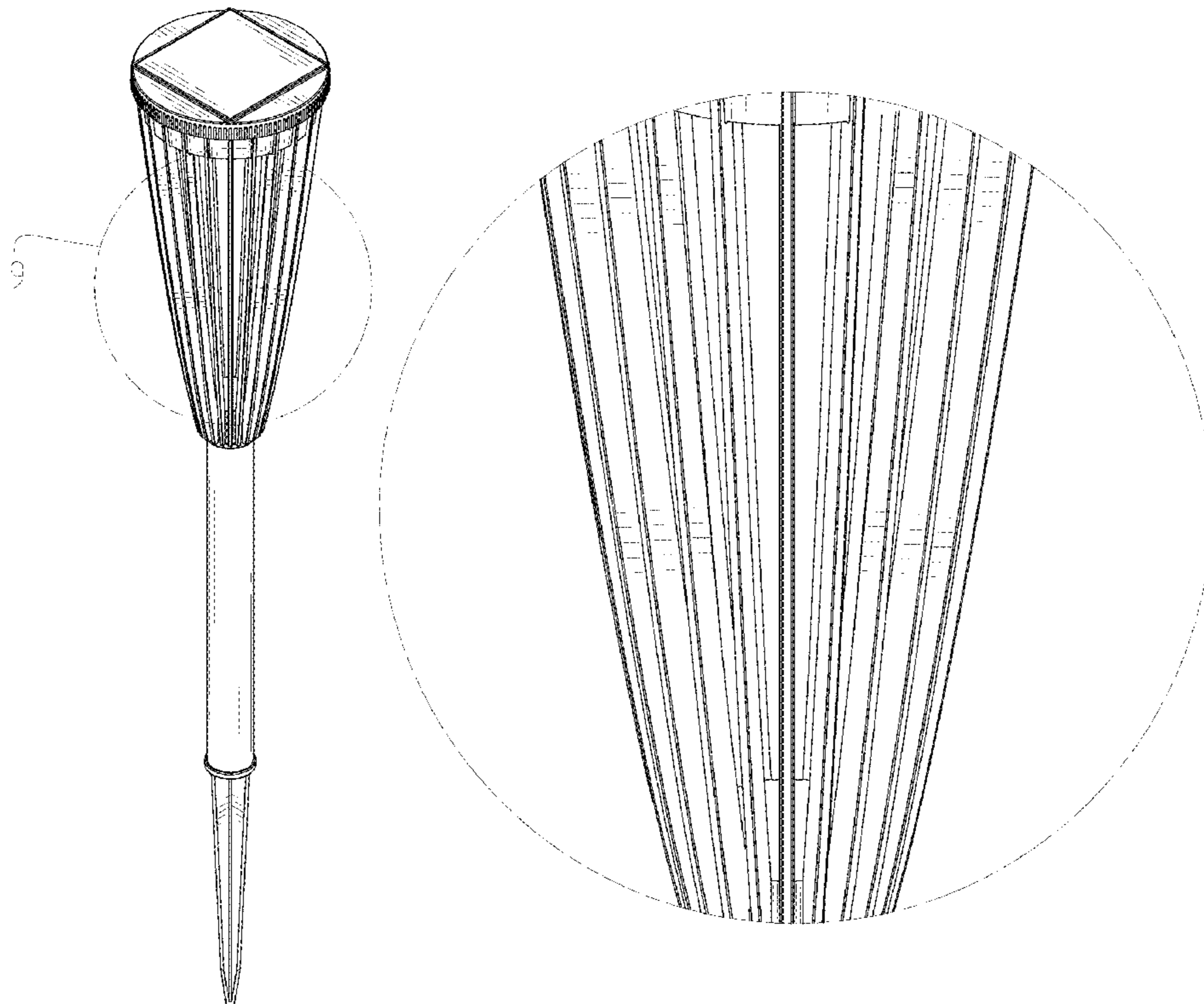
FIG. 7 is a top view thereof;

FIG. 8 is a bottom view thereof; and,

FIG. 9 is an enlarged view of the selected portion in FIG. 1.

The broken lines shown in the drawings depict portions of the solar lamp in which the design is embodied that form no part of the claimed design.

**1 Claim, 9 Drawing Sheets**



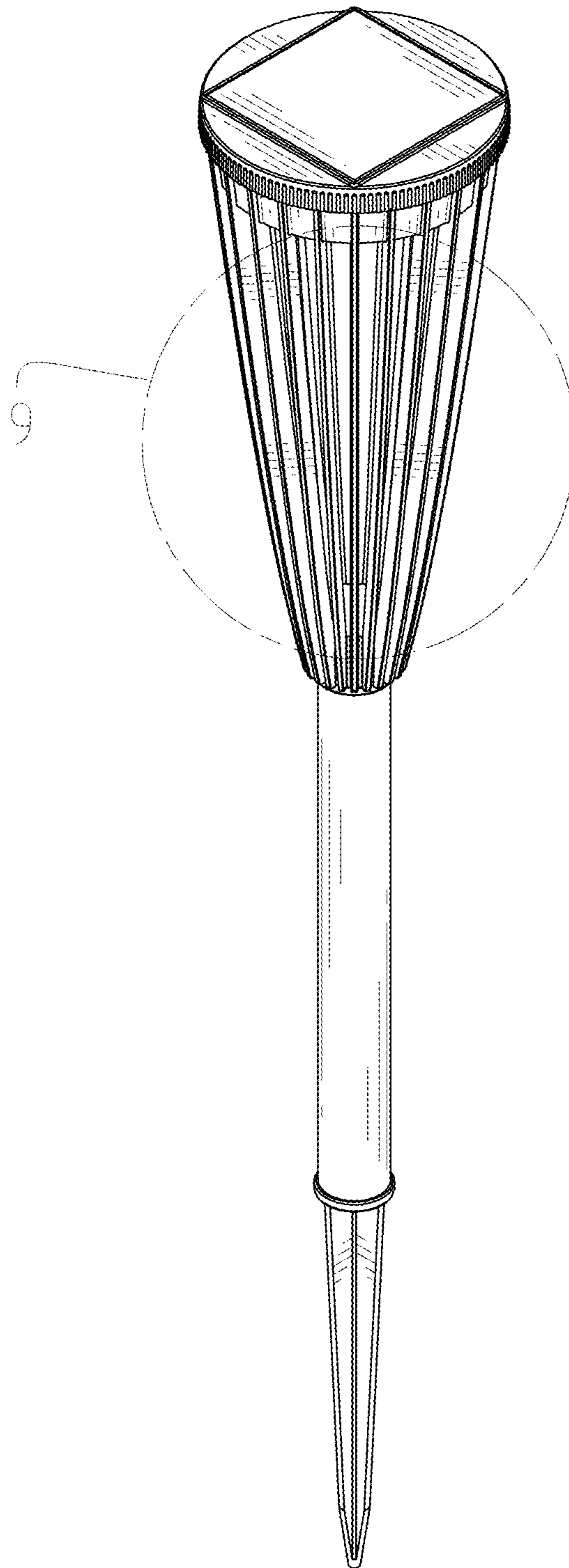


FIG. 1

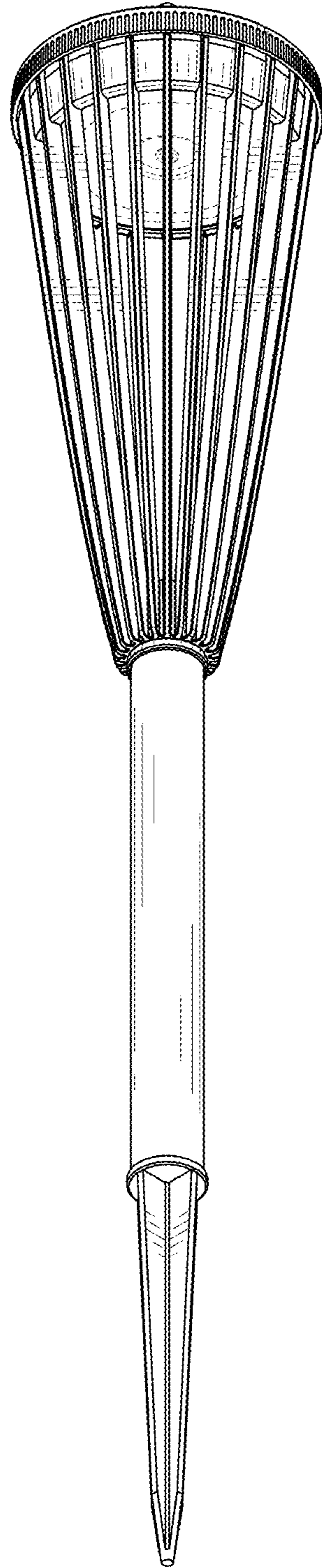


FIG. 2

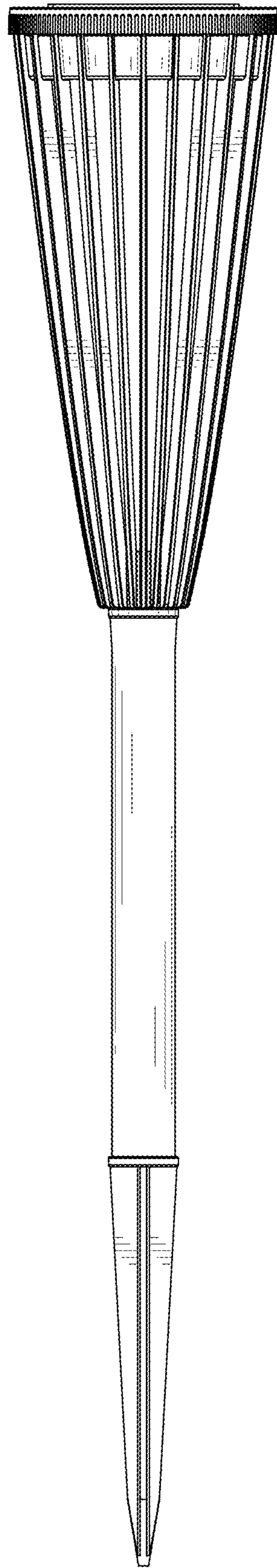


FIG. 3

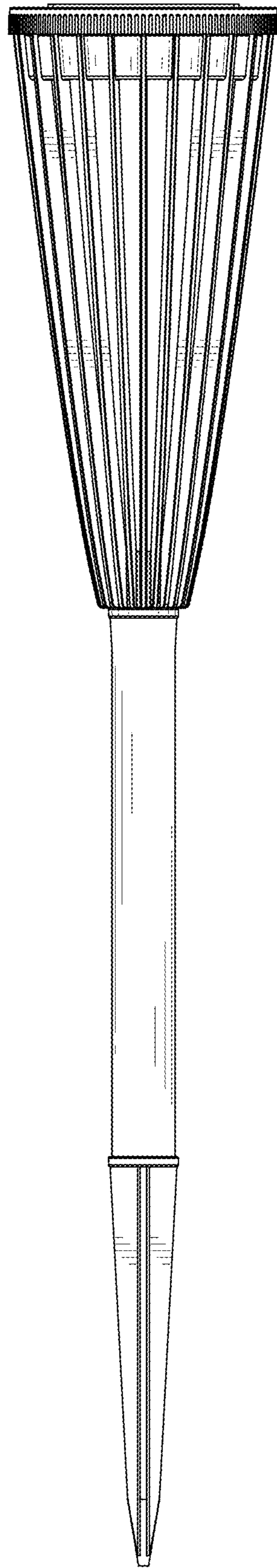


FIG. 4

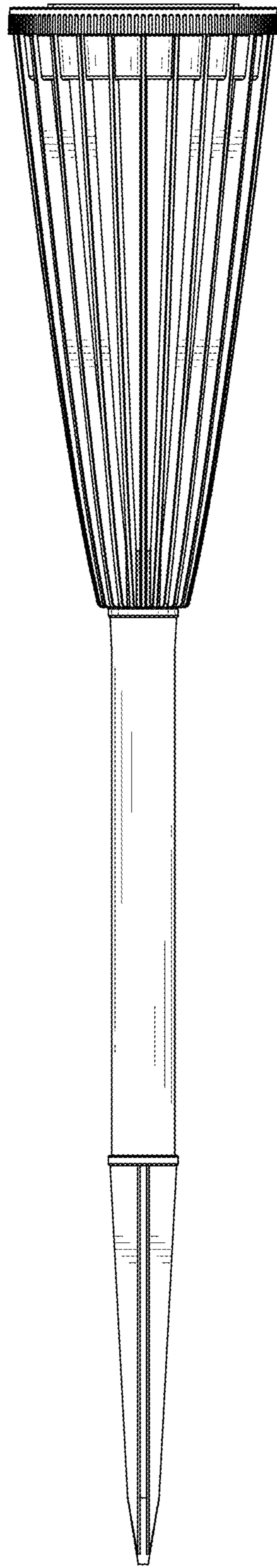


FIG. 5

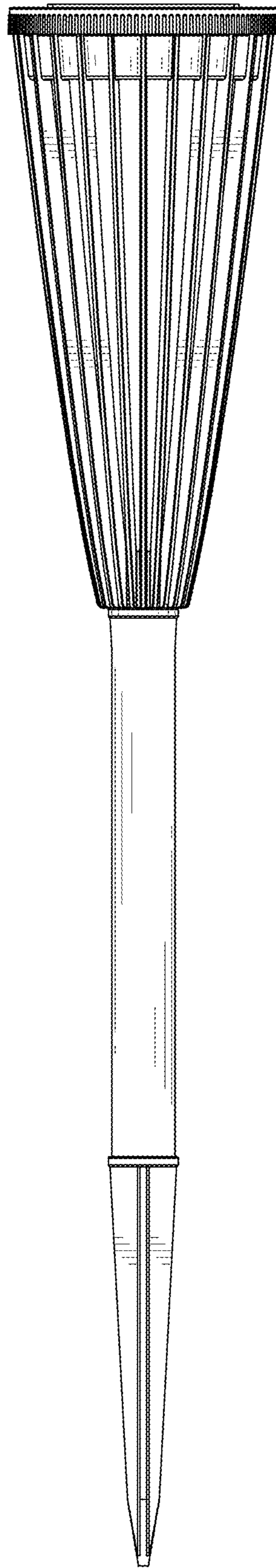


FIG. 6

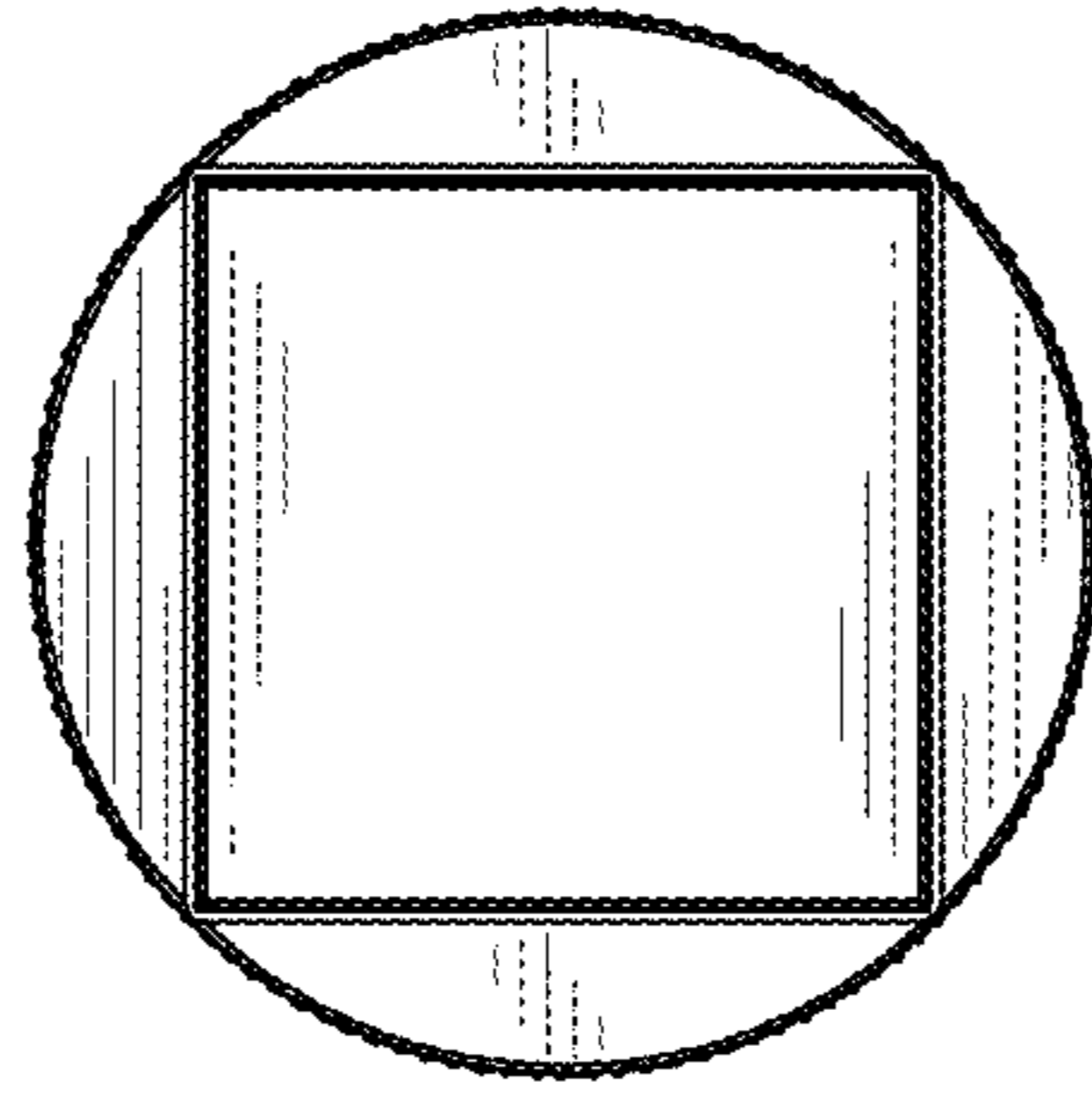


FIG. 7



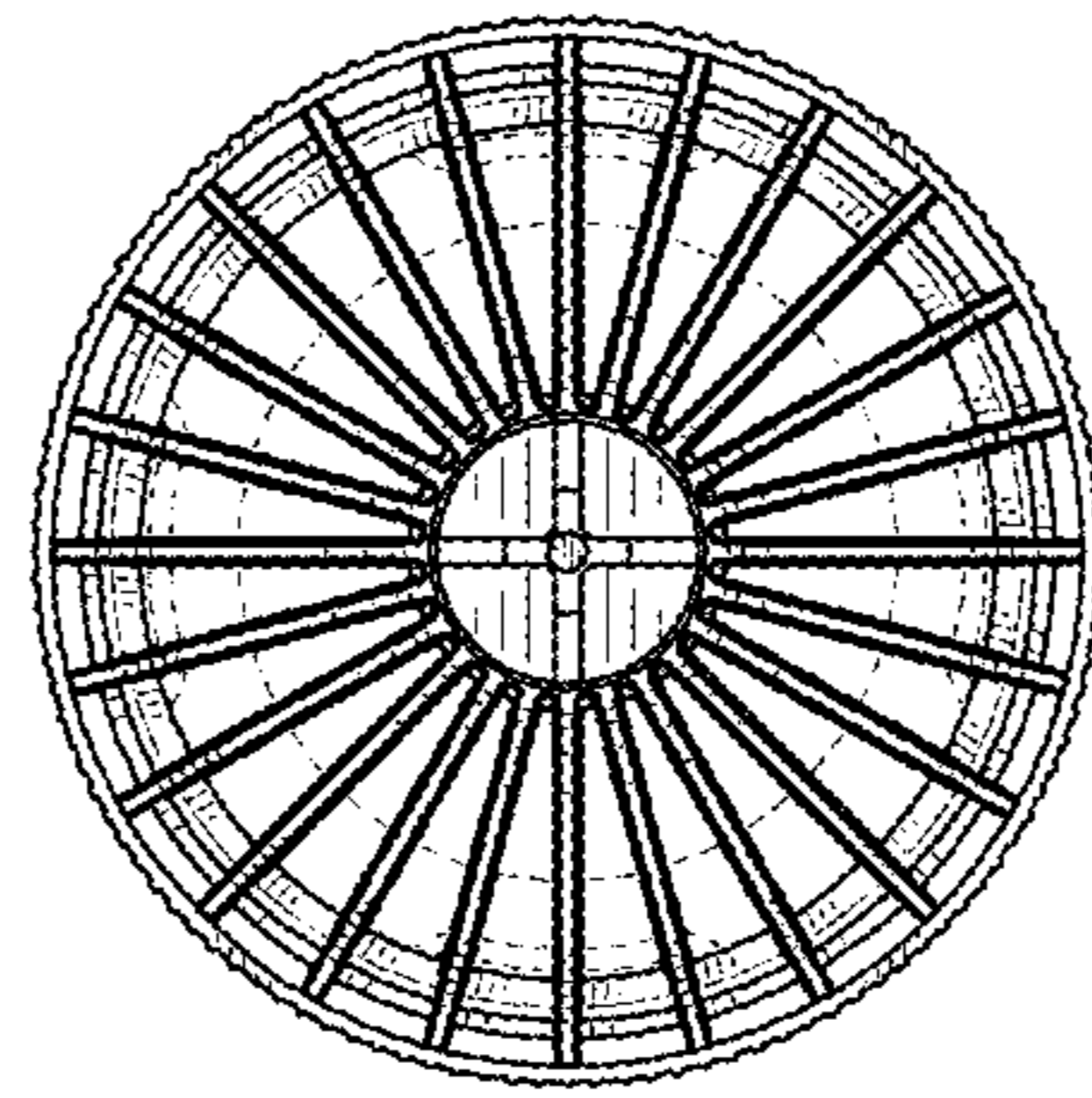


FIG. 8

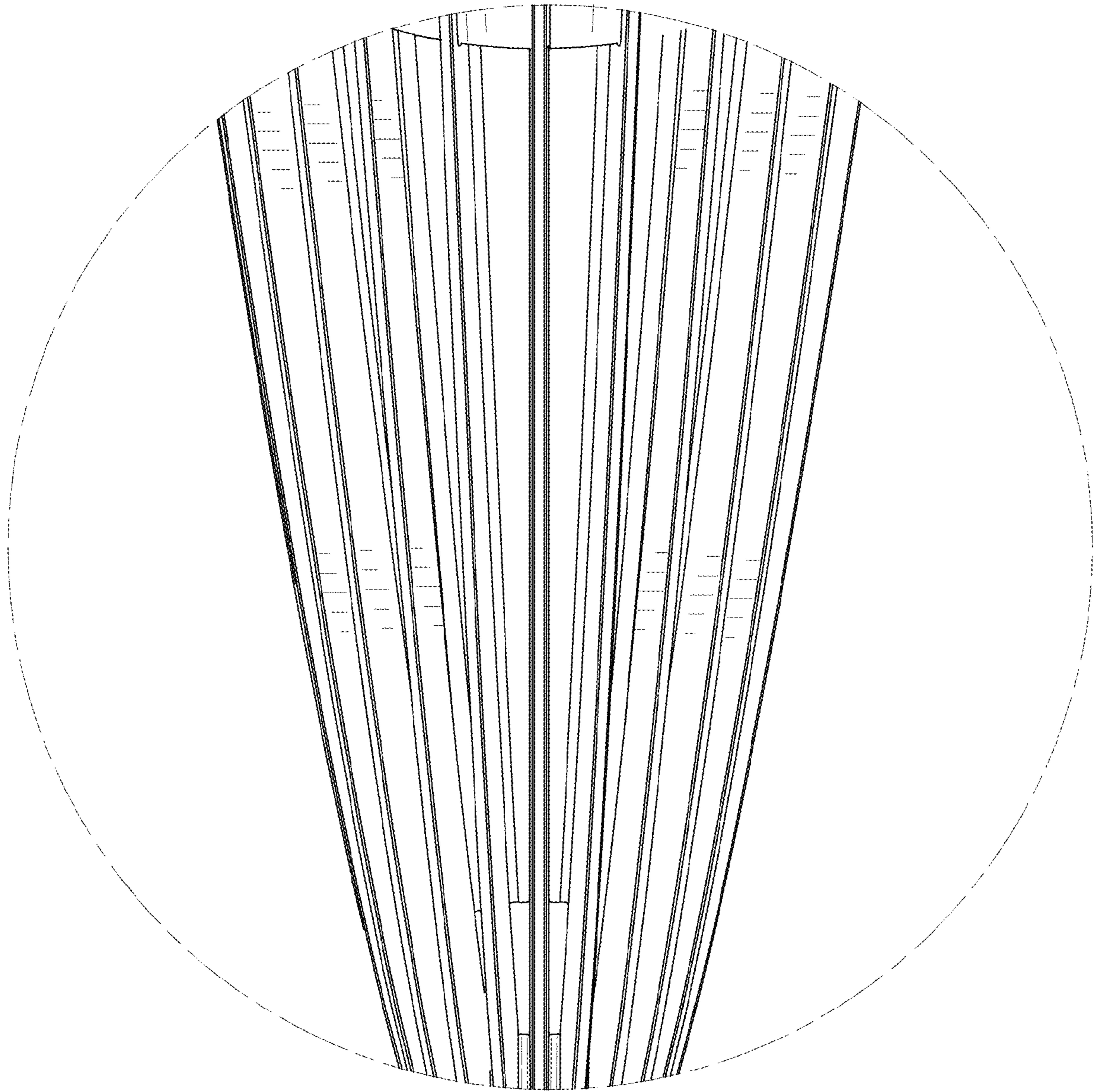


FIG. 9