

US00D967486S

(12) **United States Design Patent** (10) **Patent No.:** **US D967,486 S**
Zhuo (45) **Date of Patent:** **** Oct. 18, 2022**

(54) **SOLAR SPOTLIGHT ASSEMBLY**

FOREIGN PATENT DOCUMENTS

(71) Applicant: **ZHONGSHAN YINGHAO SOLAR TECHNOLOGY CO., LTD,**
Guangdong (CN)

CN 305681116 * 4/2020
CN 305889976 * 6/2020
CN 306014028 * 8/2020

(72) Inventor: **Qiang Zhuo,** Guangdong (CN)

OTHER PUBLICATIONS

(73) Assignee: **ZHONGSHAN YINGHAO SOLAR TECHNOLOGY CO., LTD,**
Zhongshan (CN)

“YINGHAO” reference by YINGHAO Solar on Amazon.com, date first available Sep. 2, 2020 [online], site visited May 4, 2022, available from internet URL: <https://www.amazon.com/YINGHAO-Waterproof-Wireless-Landscape-Spotlights/dp/B08H8LL662?th=1> (Year: 2020).*

(**) Term: **15 Years**

(Continued)

(21) Appl. No.: **29/752,855**

Primary Examiner — Marissa J Cash
Assistant Examiner — Liv C Anderson

(22) Filed: **Sep. 29, 2020**

(74) *Attorney, Agent, or Firm* — Wayne IP LLC

(51) **LOC (13) Cl.** **25-03**

(57) **CLAIM**

(52) **U.S. Cl.**

The ornamental design for a solar spotlight assembly, as shown and described.

USPC **D26/67; D26/63**

(58) **Field of Classification Search**

DESCRIPTION

USPC ... D26/1, 24, 35, 44, 61, 63, 65, 66, 72, 80,
D26/60, 76, 81, 83, 84, 93

CPC F21S 8/00; F21S 8/003; F21S 8/033; F21S
9/03; F21S 9/037; F21V 23/0471; F21V
21/26; F21V 21/30; F21W 2131/10;
F21W 2131/107

See application file for complete search history.

FIG. 1 is a perspective view of a solar spotlight assembly showing my new design;
FIG. 2 is a front view thereof;
FIG. 3 is a back view thereof;
FIG. 4 is a left view thereof;
FIG. 5 is a right view thereof;
FIG. 6 is a top view thereof;
FIG. 7 is a bottom view thereof;
FIG. 8 is a perspective view thereof, shown in an alternative configuration of use; and,
FIG. 9 is a partially enlarged view of FIG. 3.

(56) **References Cited**

U.S. PATENT DOCUMENTS

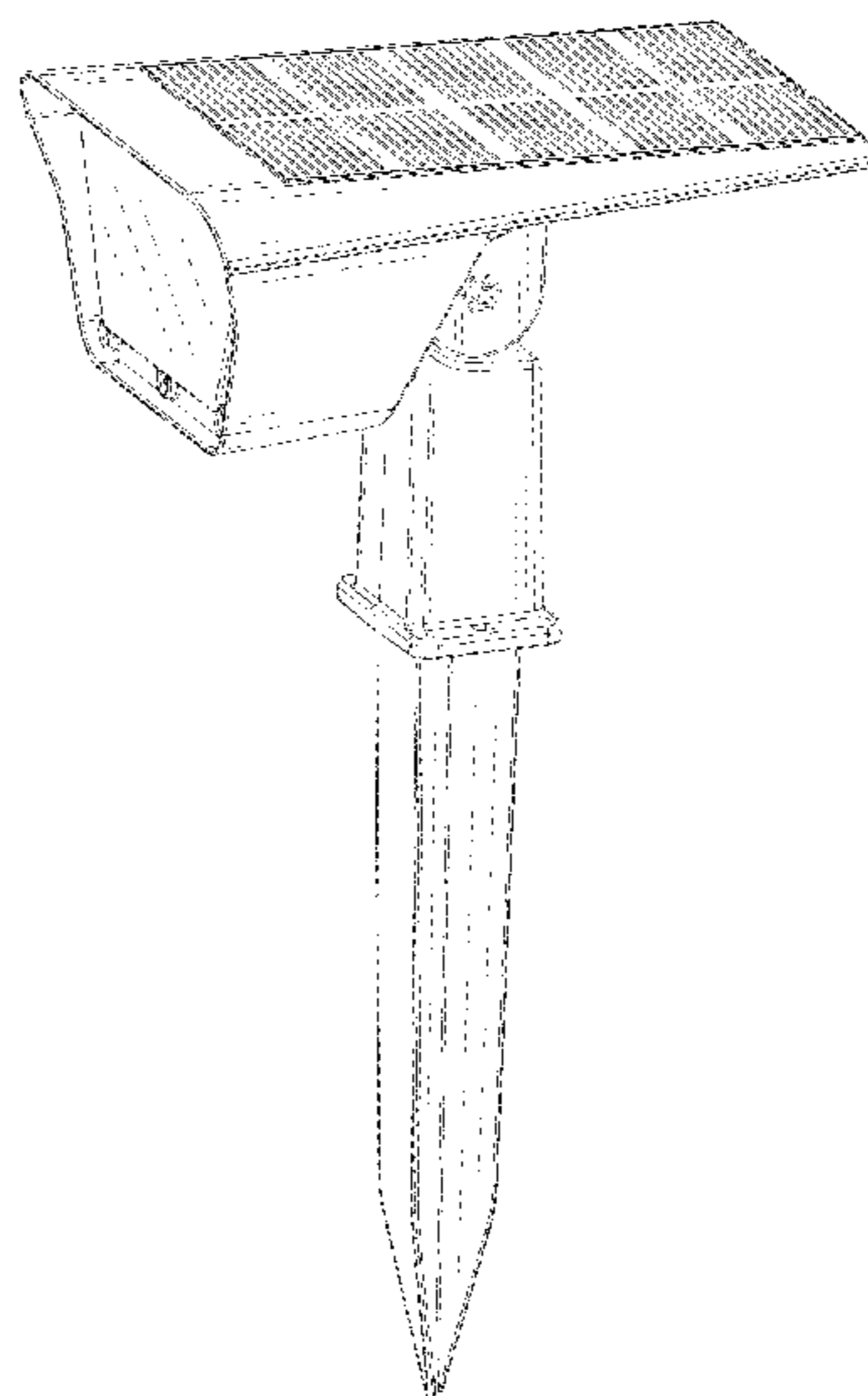
D550,877 S * 9/2007 Mullen D26/68
D551,789 S * 9/2007 Mullen D26/68
D810,342 S * 2/2018 Chen D26/68
D839,472 S * 1/2019 Hu D26/118
D867,644 S * 11/2019 Luo D26/68
D875,289 S * 2/2020 Hu D26/63
D887,059 S * 6/2020 Liu D26/63
D903,921 S * 12/2020 Zhuo D26/63
D905,312 S * 12/2020 Zhuo D26/63

The broken lines shown on the drawings depict portions of the solar spotlight assembly that form no part of the claimed design.

The additional broken lines encircling the enlarged views in FIGS. 3 and 9 are for annotative purposes only and form no part of the claim thereof.

(Continued)

1 Claim, 9 Drawing Sheets



(56)

References Cited

U.S. PATENT DOCUMENTS

D921,261 S *	6/2021	Qiu	D26/67
D922,646 S *	6/2021	Huang	D26/63
D923,225 S *	6/2021	Hu	D26/63
D923,226 S *	6/2021	Hu	D26/63
D923,845 S *	6/2021	Kong	D26/63
D925,084 S *	7/2021	Chen	D26/63
D925,100 S *	7/2021	Hui	D26/68
D930,225 S *	9/2021	Jiang	D26/68
D930,889 S *	9/2021	Liu	D26/68
D934,478 S *	10/2021	Hu	D26/63
D936,887 S *	11/2021	Yan	D26/68
D945,670 S *	3/2022	Wu	D26/63

OTHER PUBLICATIONS

“LEREKAM” reference by LEREKAM on Amazon.com, date first available Mar. 1, 2019 [online], site visited May 4, 2022, available from internet URL: <https://www.amazon.com/LEREKAM-Outdoor-Waterproof-Landscape-Spotlights/dp/B08ZY9PQRS> (Year: 2019).*

“Linkind” reference by LINKIND-US on Amazon.com, date first available Dec. 17, 2019 [online], site visited May 4, 2022, available from internet URL: <https://www.amazon.com/Linkind-Landscape-Spotlights-Waterproof-Daylight/dp/B082V4PQ6> (Year: 2019).*

* cited by examiner

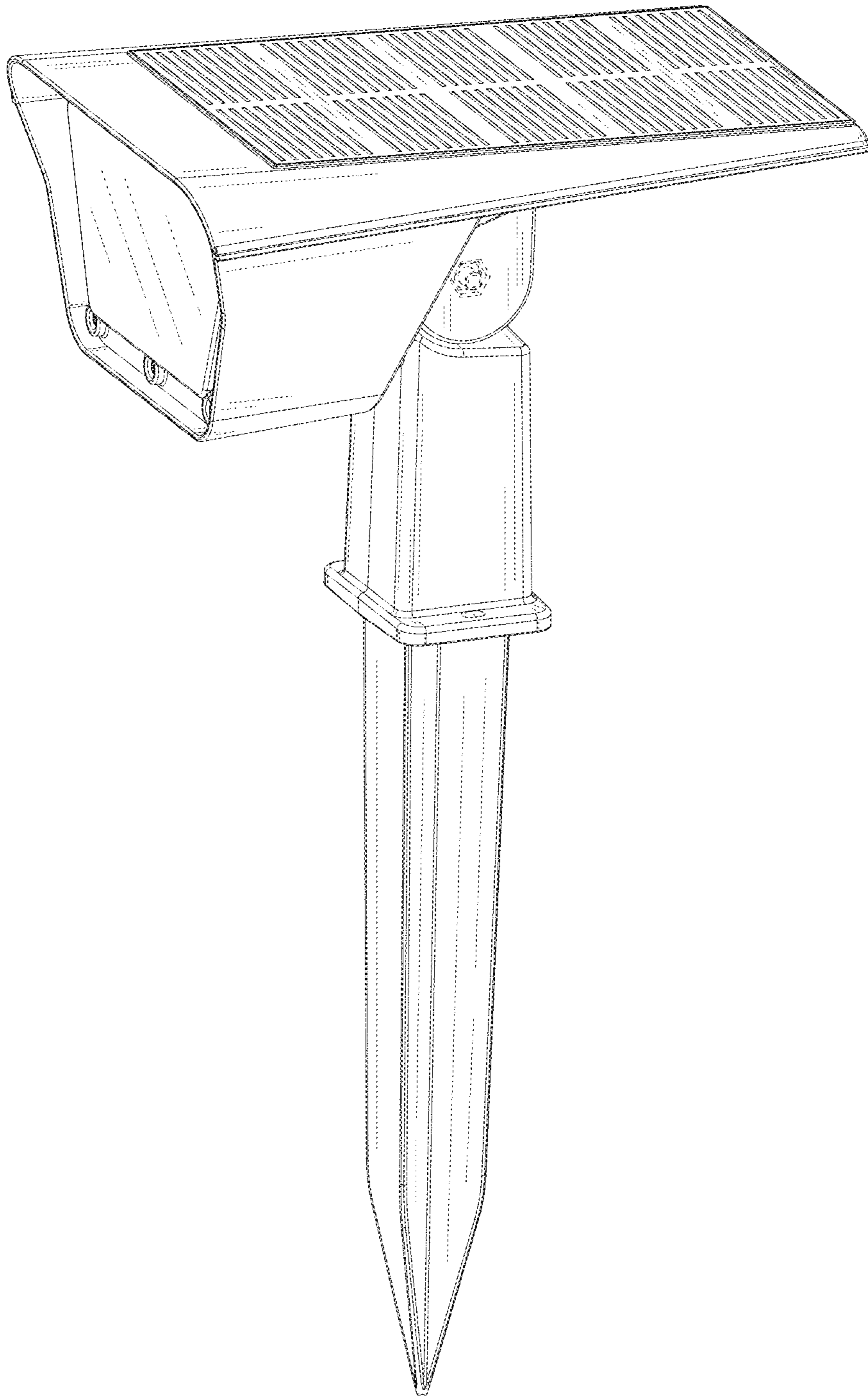


FIG. 1

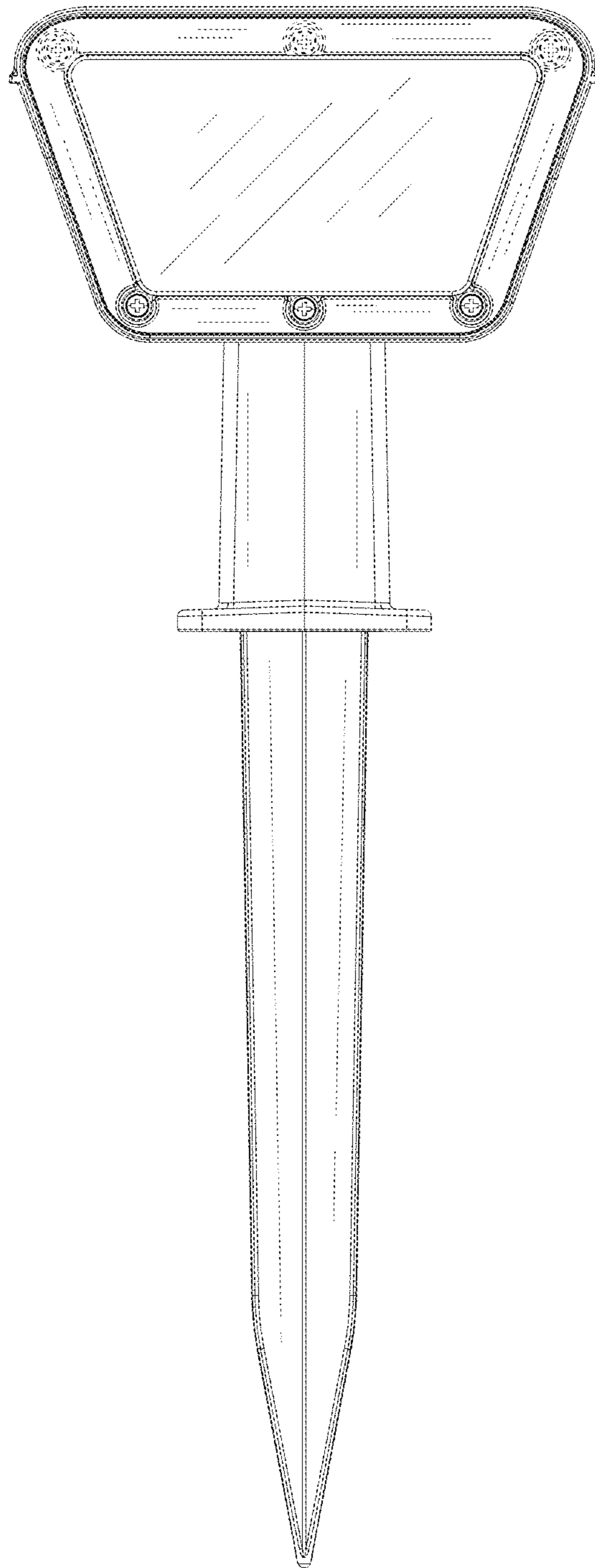


FIG.2

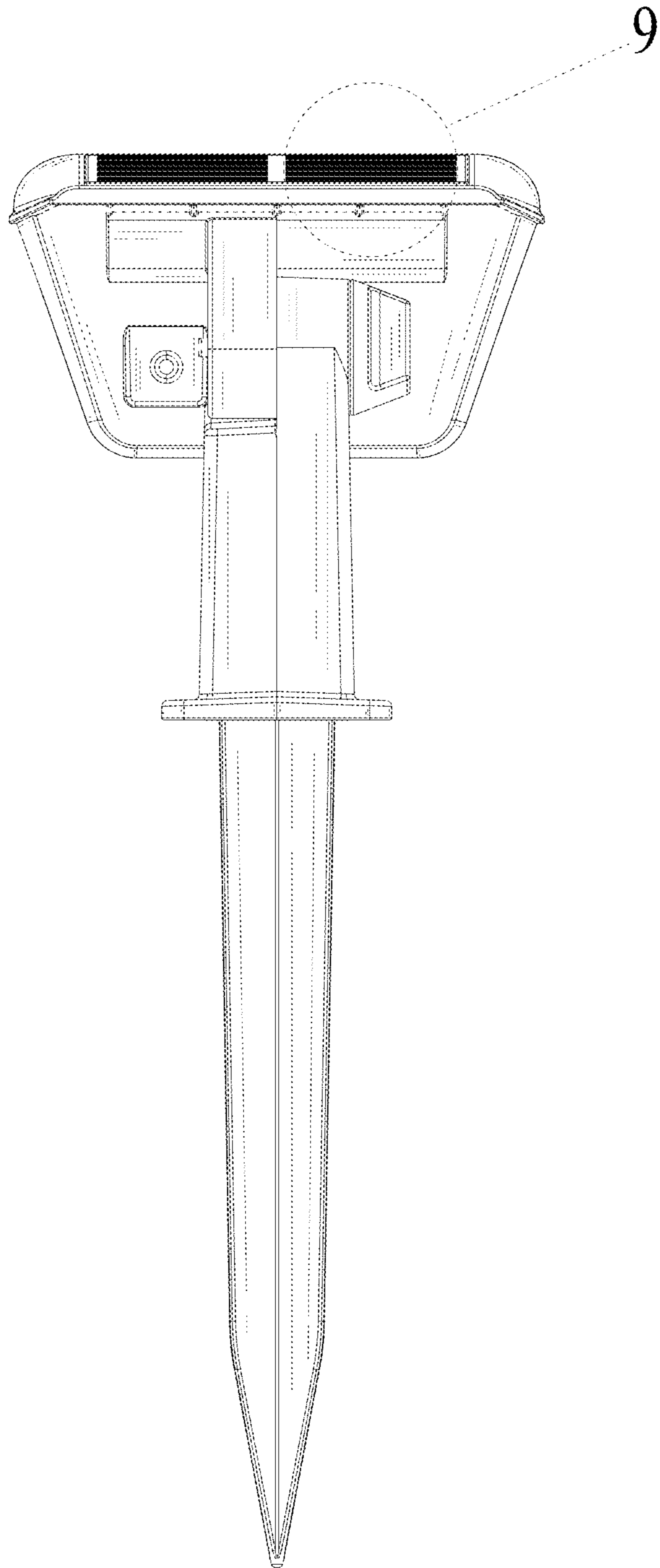


FIG.3

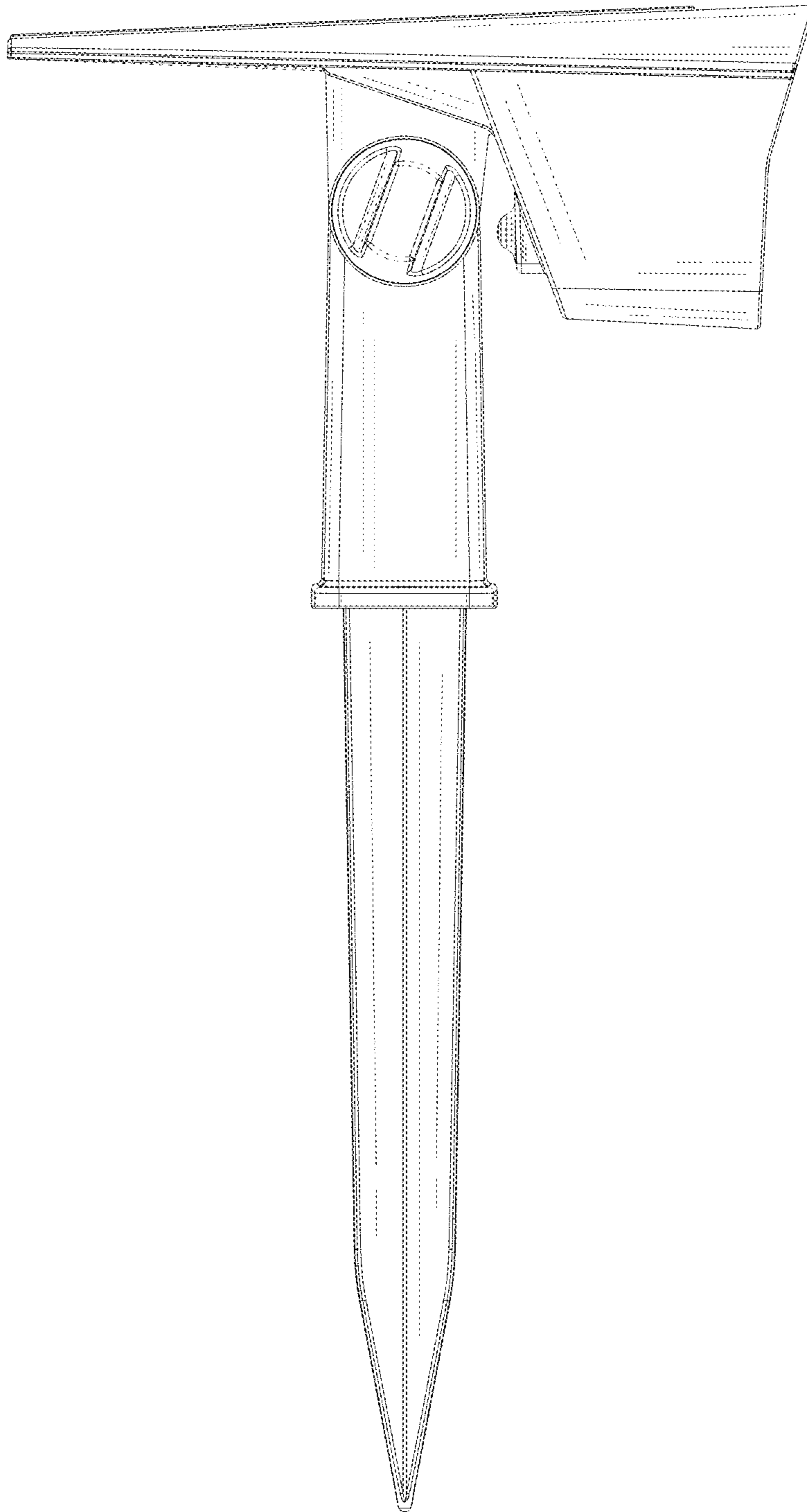


FIG.4

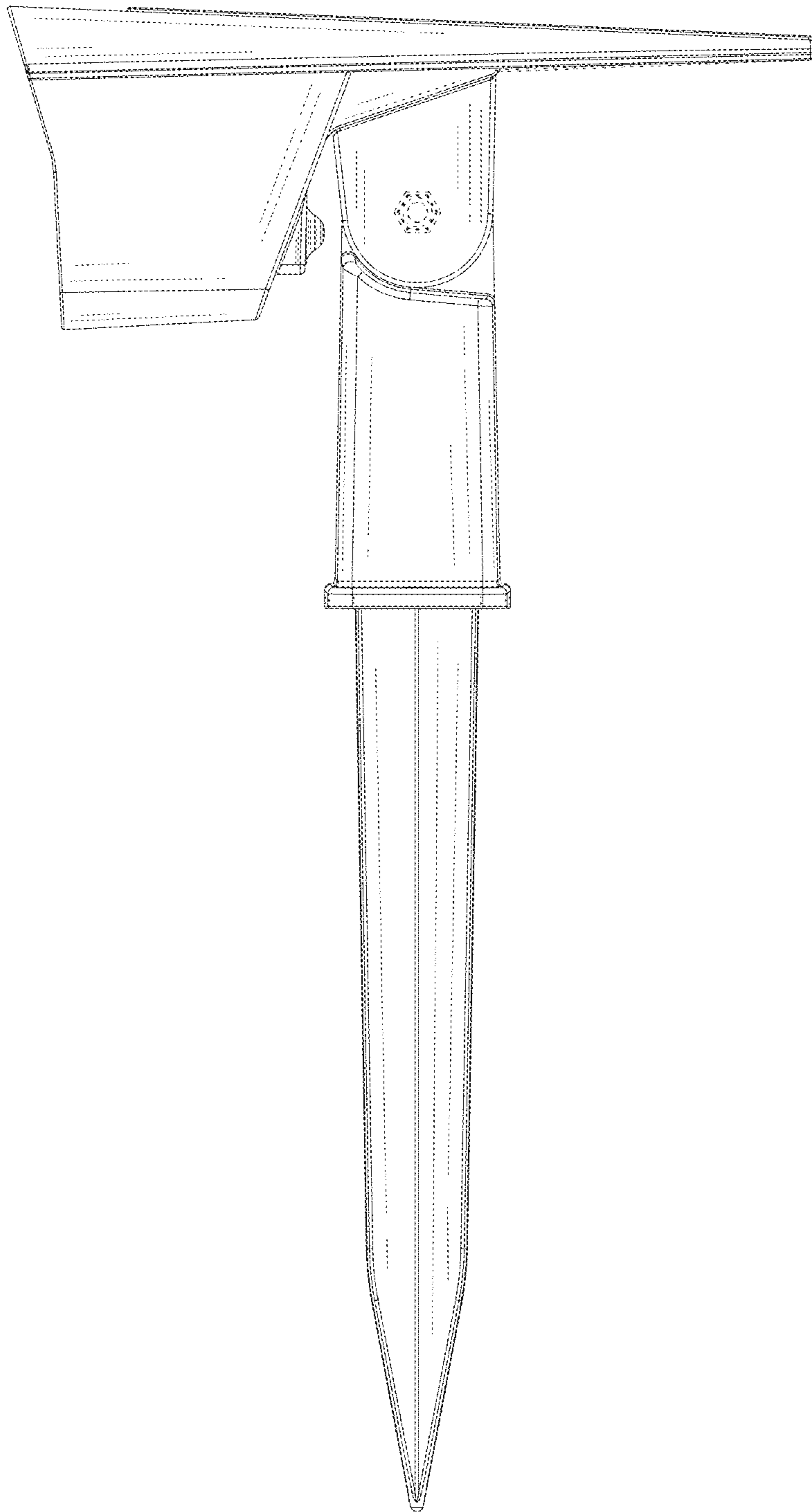


FIG.5

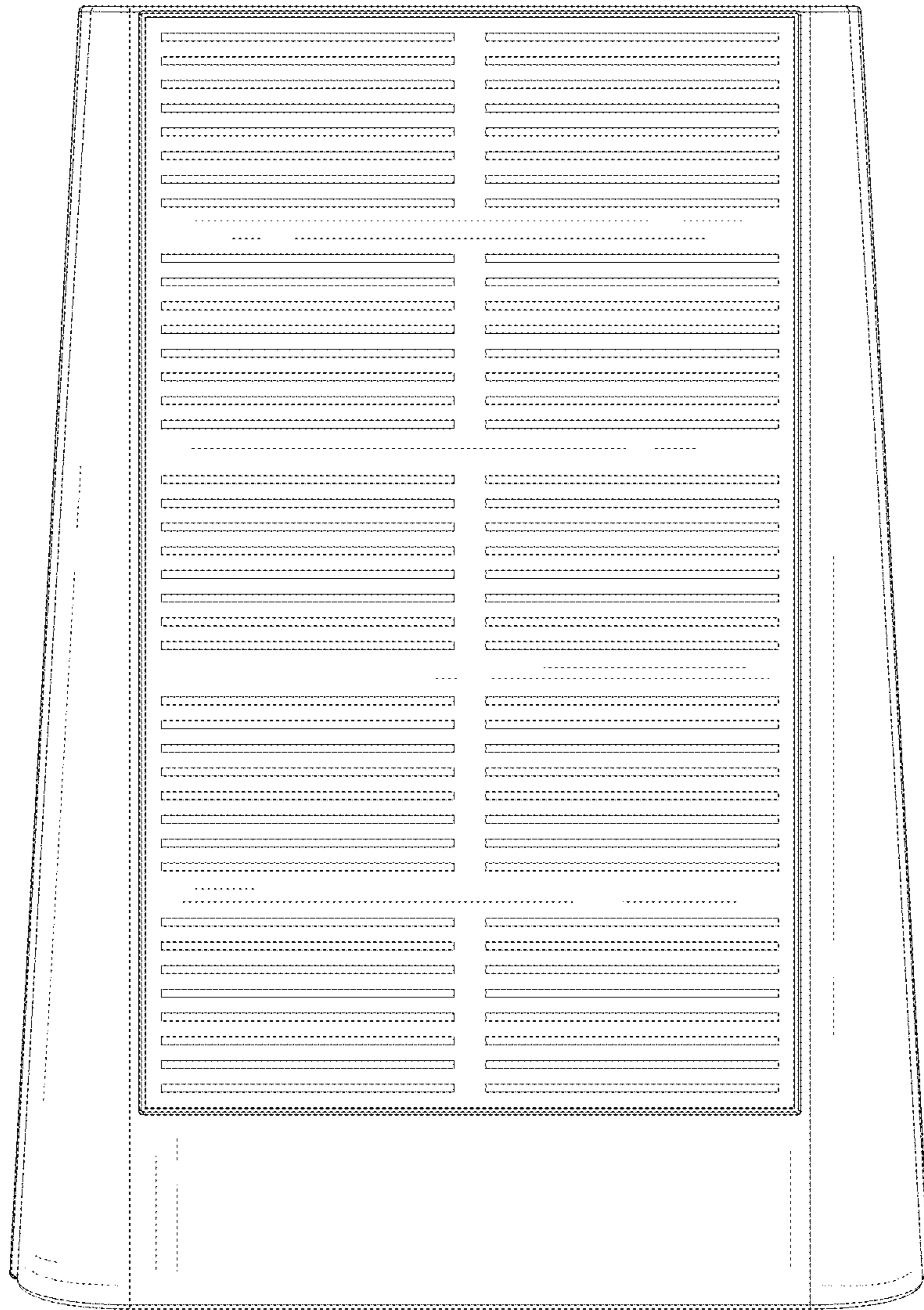


FIG.6

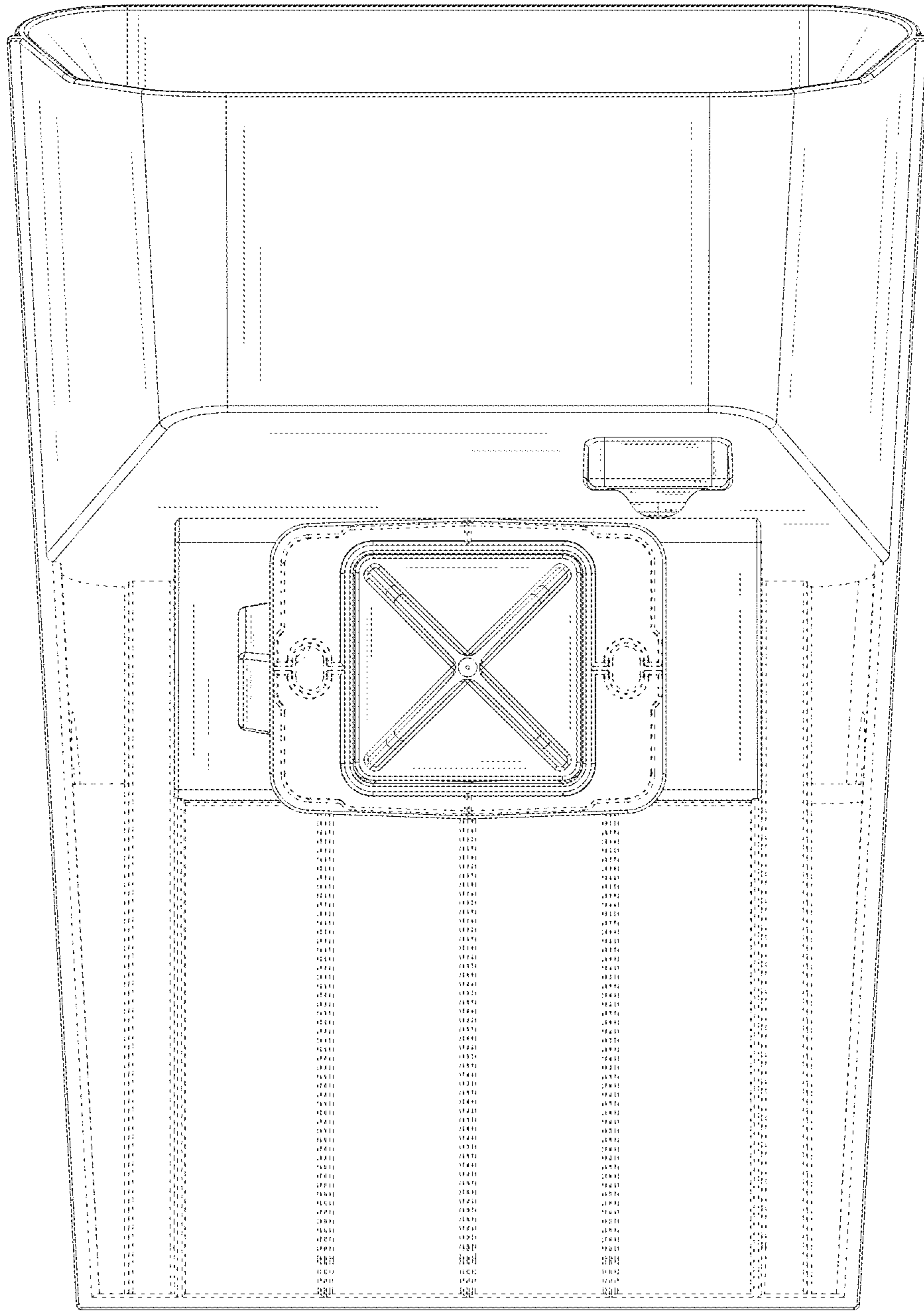


FIG. 7

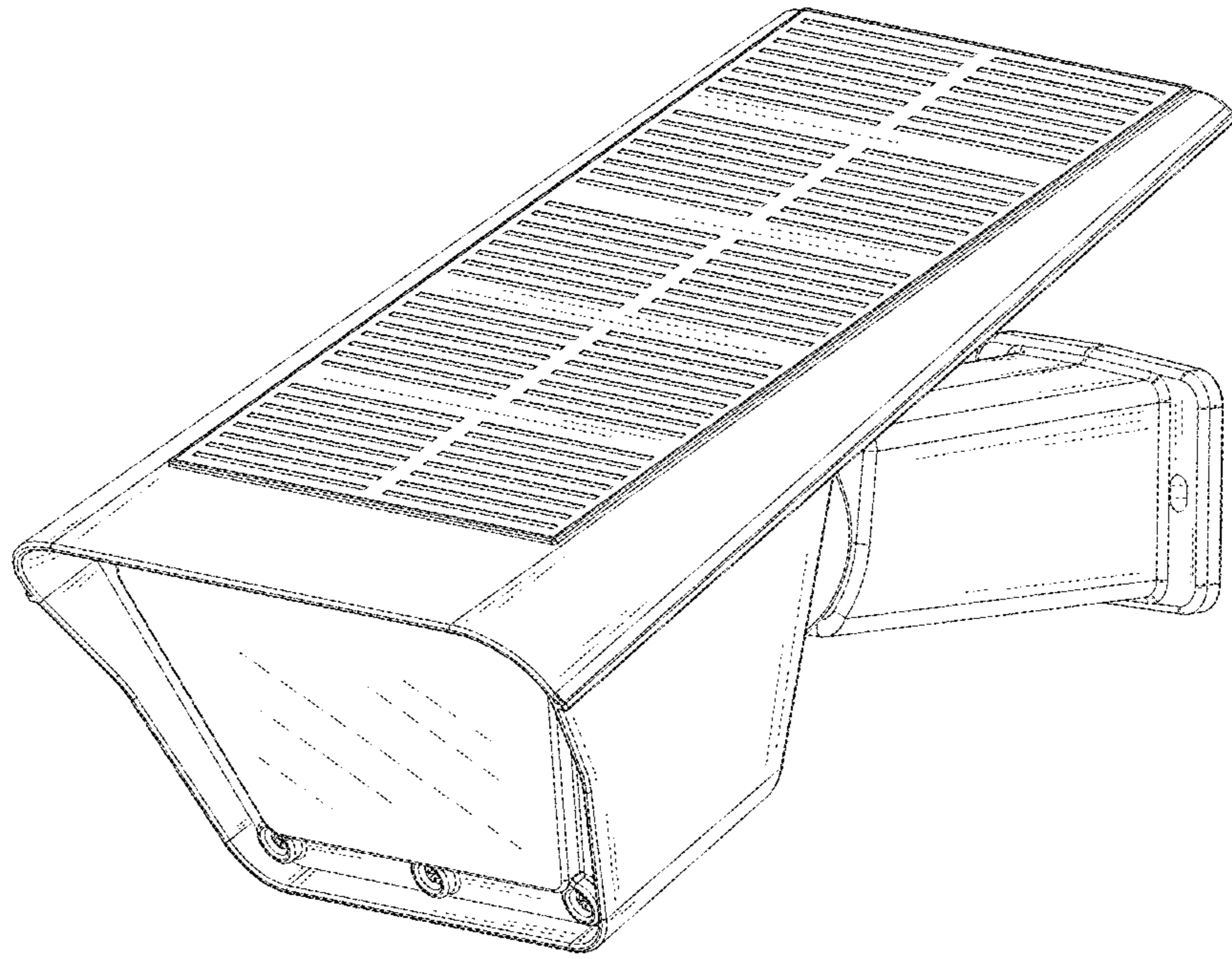


FIG.8



FIG.9