



US00D967485S

(12) **United States Design Patent** (10) **Patent No.:** **US D967,485 S**  
**Liu** (45) **Date of Patent:** **\*\* Oct. 18, 2022**

(54) **TABLE LAMP**

FOREIGN PATENT DOCUMENTS

(71) Applicant: **Yucheng Liu**, Hengyang (CN)

CN 307021970 \* 8/2021  
EM 009057599-0001 \* 6/2022

(72) Inventor: **Yucheng Liu**, Hengyang (CN)

(\*\*) Term: **15 Years**

OTHER PUBLICATIONS

(21) Appl. No.: **29/864,674**

“LED Desk Lamp with Pen Holder” reference by Drevet on Amazon.com, date first available Sep. 29, 2021 [online], site visited Aug. 17, 2022, available from internet URL: <https://www.amazon.com/Drevet-Charging-Lighting-Brightness-Eye-Caring/dp/B09C5RD2GR> (Year: 2021).\*

(22) Filed: **Jun. 10, 2022**

“COZOO” reference by CoZoo on Amazon.com, date first available Sep. 28, 2021 [online], site visited Aug. 17, 2022, available from internet URL: <https://www.amazon.com/Charging-Temperatures-Brightness-Function-Protection/dp/B09HBHQ7KG> (Year: 2021).\*

(51) **LOC (13) Cl.** ..... **26-05**

(52) **U.S. Cl.**  
USPC ..... **D26/65**

(58) **Field of Classification Search**  
USPC ..... D26/24, 37, 43, 60–63, 64, 65, 93, 102  
CPC ..... F21K 9/00; F21K 9/20; F21L 4/00; F21L 4/005; F21L 4/06; F21S 9/00; F21S 9/02; F21V 21/042; F21V 21/08; F21V 21/088  
See application file for complete search history.

(Continued)

*Primary Examiner* — Marissa J Cash  
*Assistant Examiner* — Liv C Anderson

(56) **References Cited**

(57) **CLAIM**

U.S. PATENT DOCUMENTS

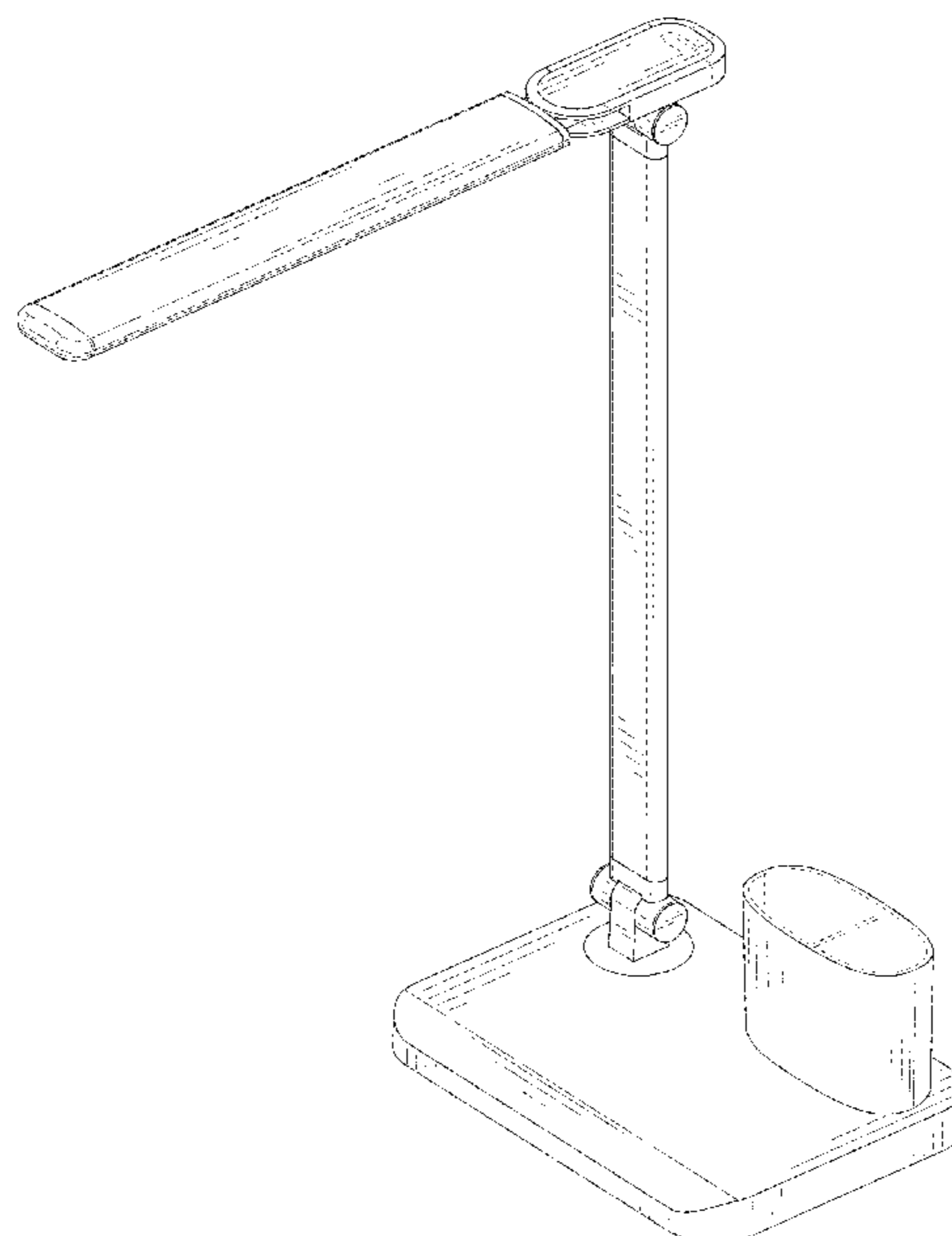
The ornamental design for a table lamp, as shown and described.

D469,202 S	1/2003	Tsai	
D623,334 S *	9/2010	Huang	D26/65
D776,318 S	1/2017	Ye	
D804,071 S *	11/2017	Xu	D26/63
D804,697 S *	12/2017	Tang	D26/63
D858,835 S *	9/2019	Xiao	D26/93
D874,049 S *	1/2020	Sun	D26/107
D875,985 S *	2/2020	Yi	D26/65
D876,699 S *	2/2020	Tang	D26/65
D882,858 S *	4/2020	Sun	D26/107
D913,572 S *	3/2021	Qinwen	D26/106
D935,684 S *	11/2021	Wu	D26/107
D936,885 S *	11/2021	Yang	D26/63
D937,463 S *	11/2021	Zheng	D26/65
D945,048 S *	3/2022	Zhou	D26/106
D948,103 S *	4/2022	Tong	D26/65
D950,138 S *	4/2022	Huang	D26/65
D961,147 S *	8/2022	Li	D26/106
2018/0058647 A1 *	3/2018	He	F21V 21/116

**DESCRIPTION**

FIG. 1 is a perspective view of a table lamp showing my new design;  
FIG. 2 is another perspective view thereof;  
FIG. 3 is a front elevational view thereof;  
FIG. 4 is a rear elevational view thereof;  
FIG. 5 is a left side elevational view thereof;  
FIG. 6 is a right side elevational view thereof;  
FIG. 7 is a top plan view thereof; and,  
FIG. 8 is a bottom plan view thereof.  
The broken lines in the drawings depict portions of the table lamp that form no part of the claimed design.

**1 Claim, 8 Drawing Sheets**



(56)

**References Cited**

OTHER PUBLICATIONS

“LED Desk Lamp with Storage” reference by xinyiUNICORN on Amazon.com, date first available Mar. 5, 2022 [online], site visited Aug. 17, 2022, available from internet URL: <https://www.amazon.com/Storage-Double-Port-Brightness-Temperature-Adjustable-Eye-Caring/dp/B09Q693768> (Year: 2022).\*

“LED Desk Lamps For Home” reference by One Fire on Amazon.com, date first available Jan. 15, 2021 [online], site visited Aug. 17, 2022, available from internet URL: <https://www.amazon.com/Rechargeable-Eye-Caring-5400mAh-Control-Charging/dp/B08T698YFT> (Year: 2021).\*

\* cited by examiner

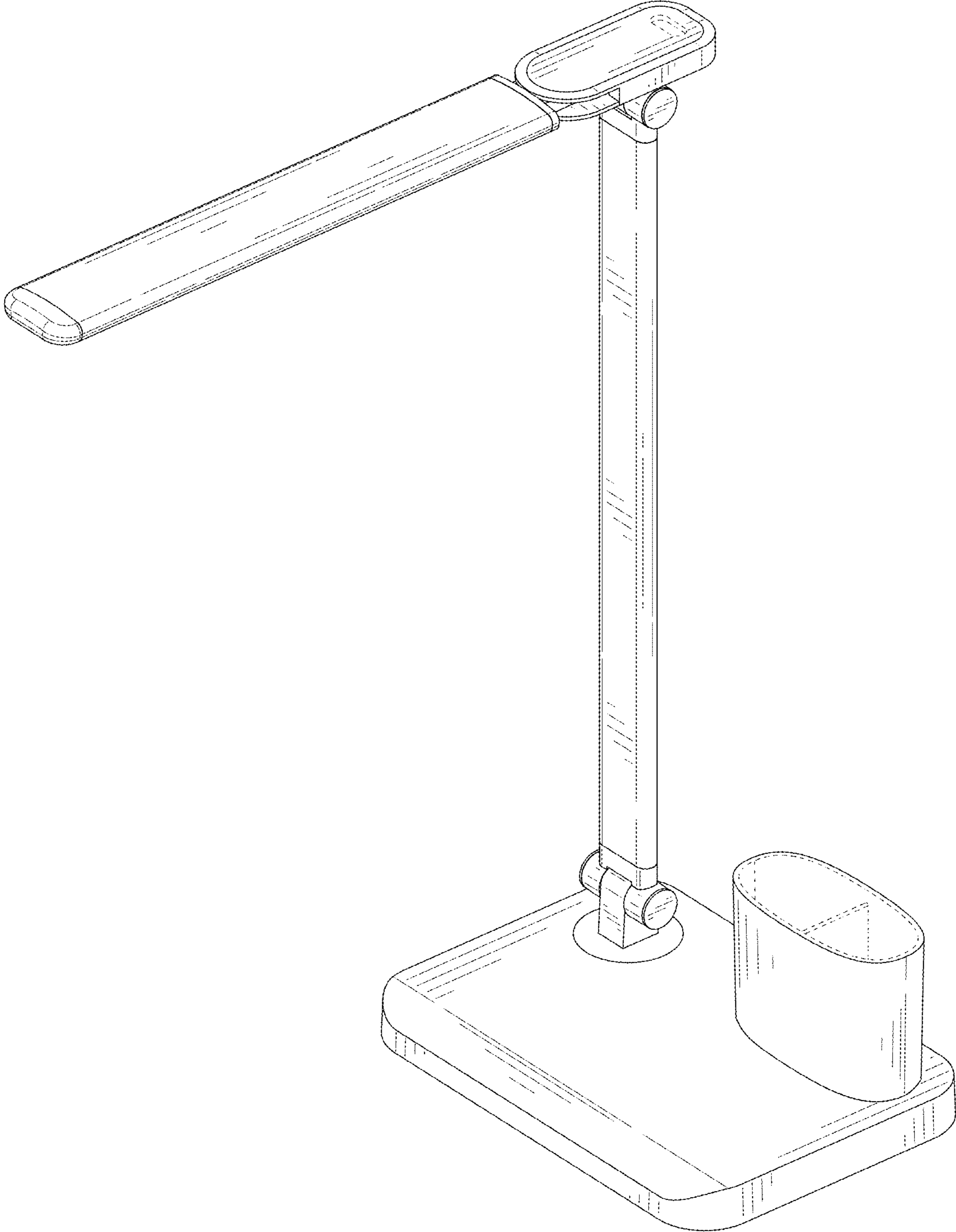


FIG. 1

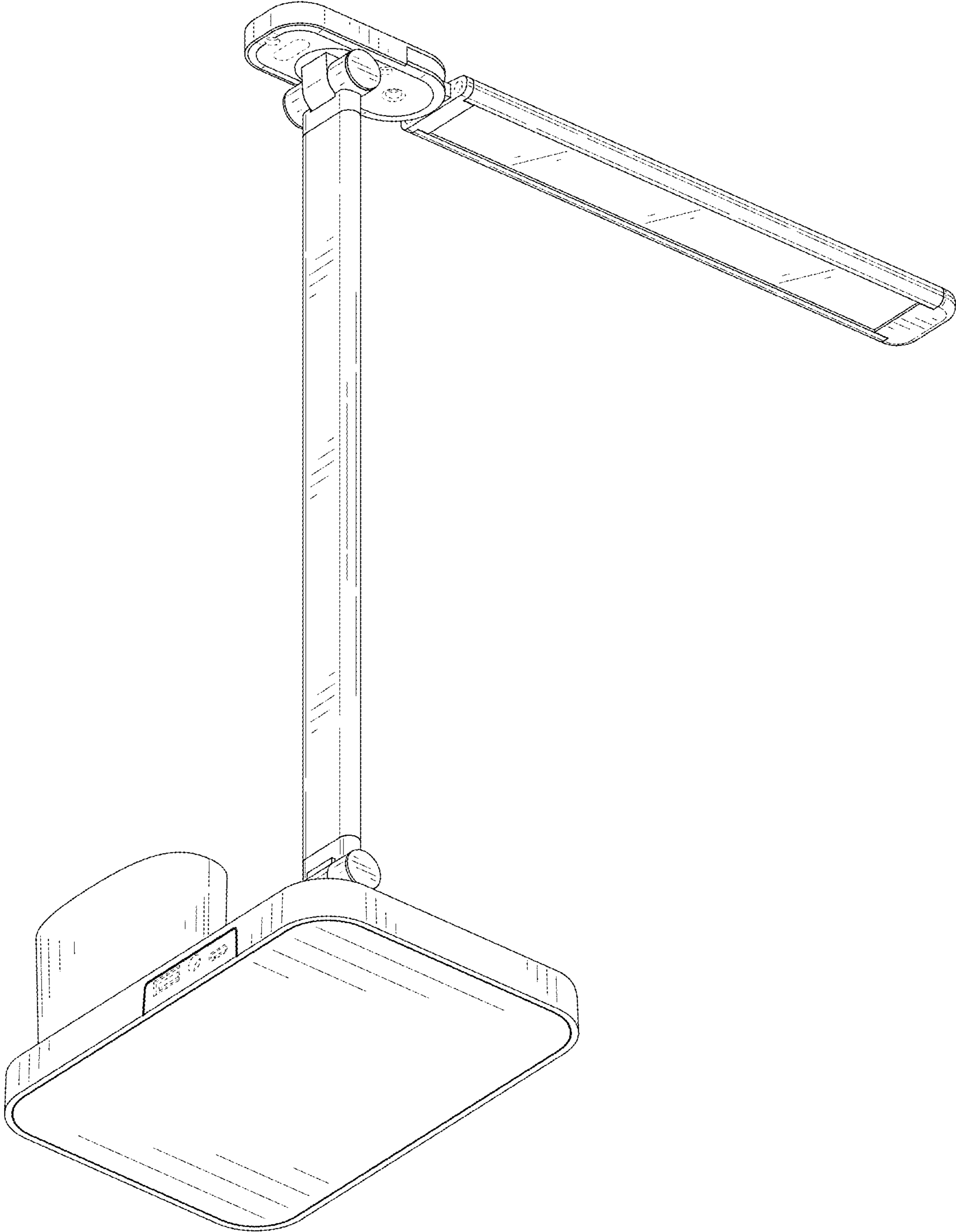


FIG. 2

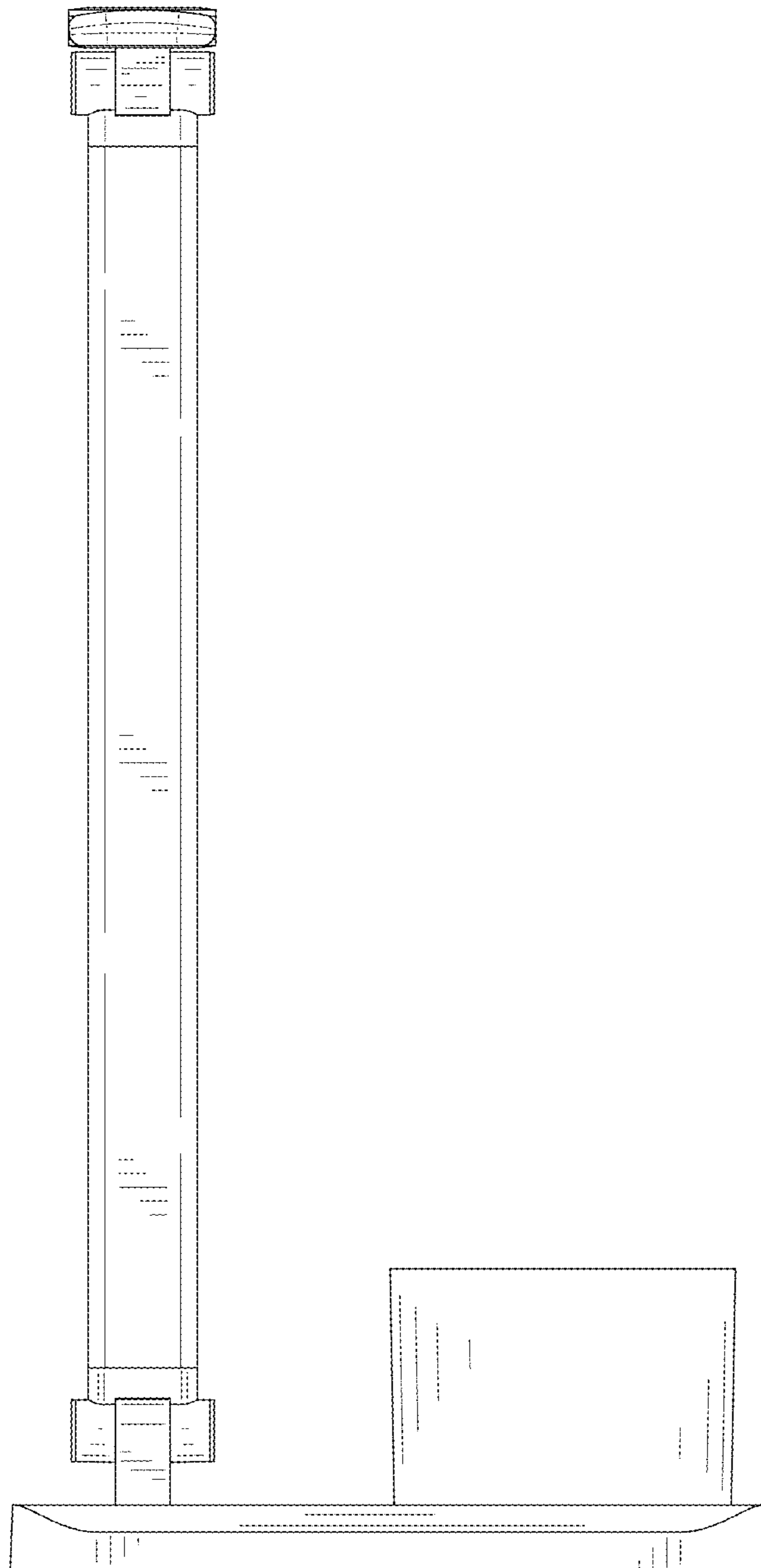


FIG. 3

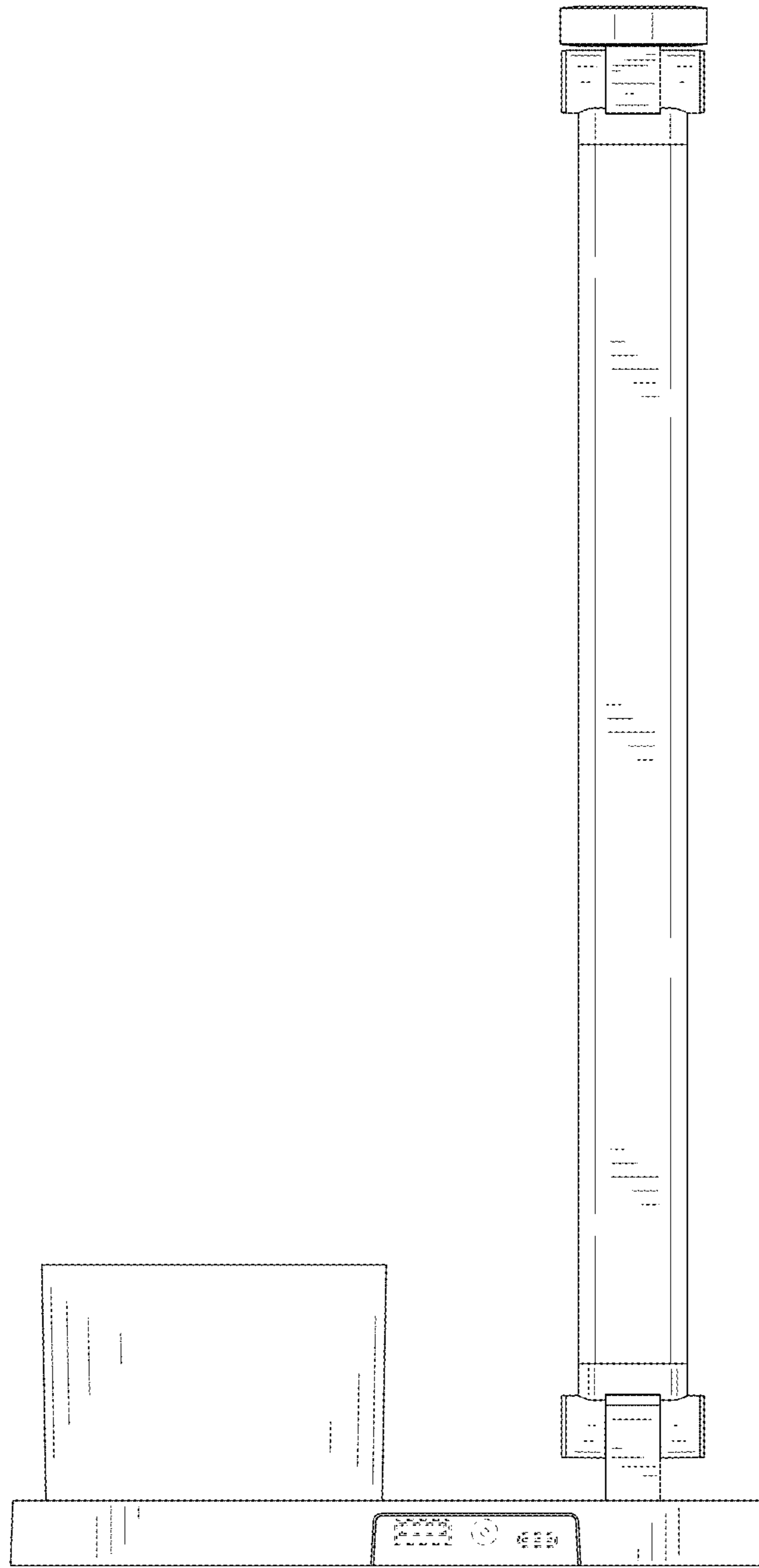


FIG. 4

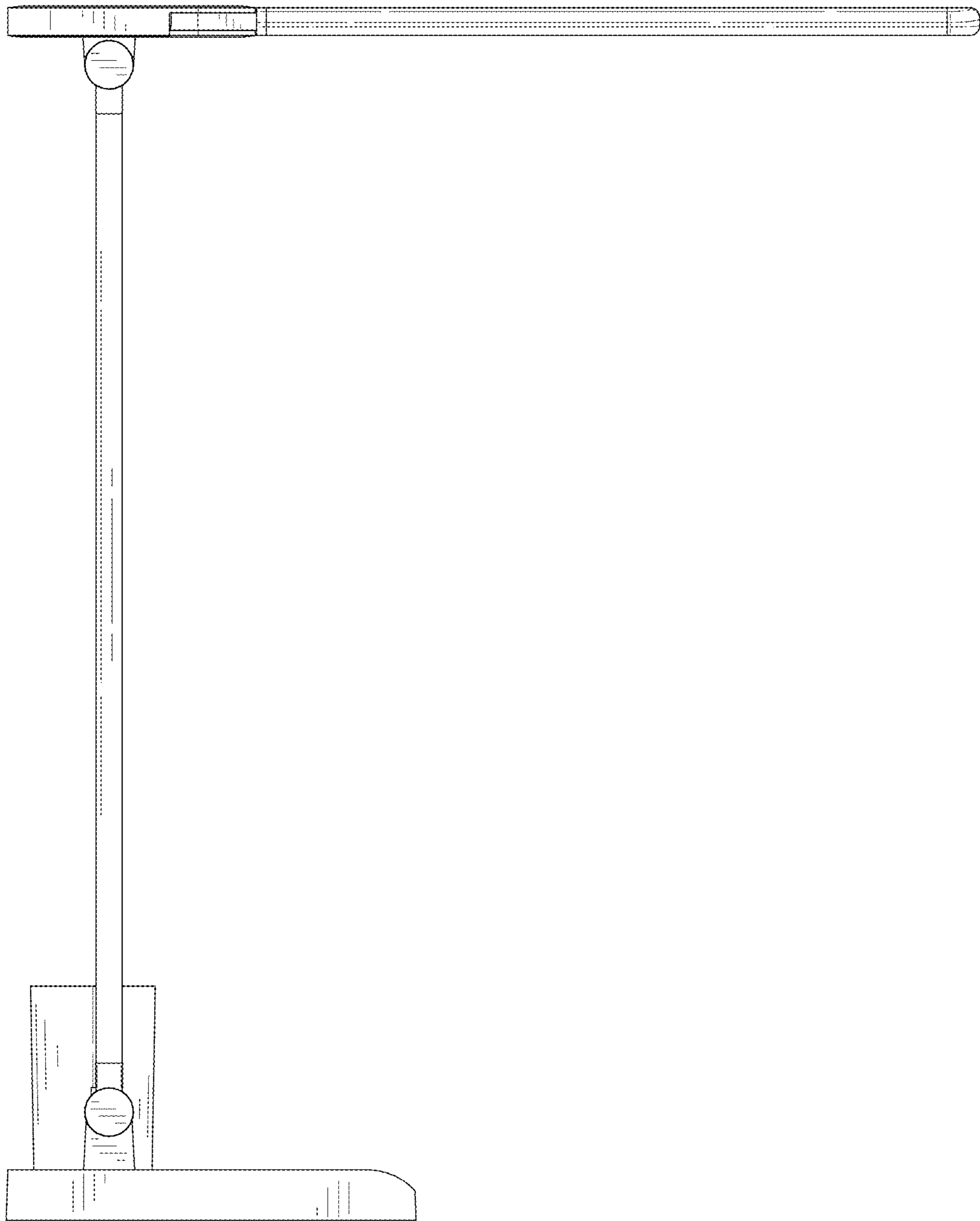


FIG. 5

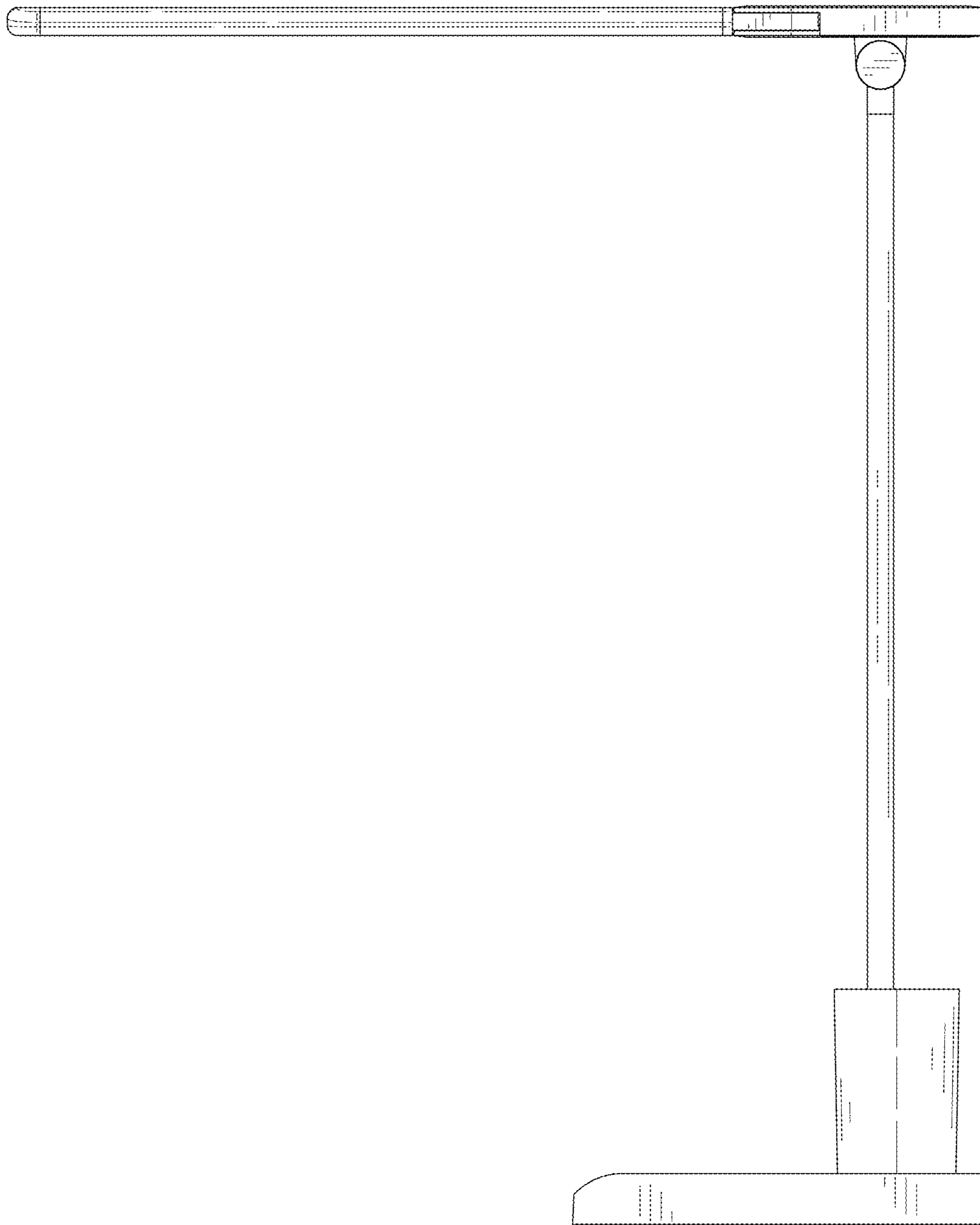


FIG. 6



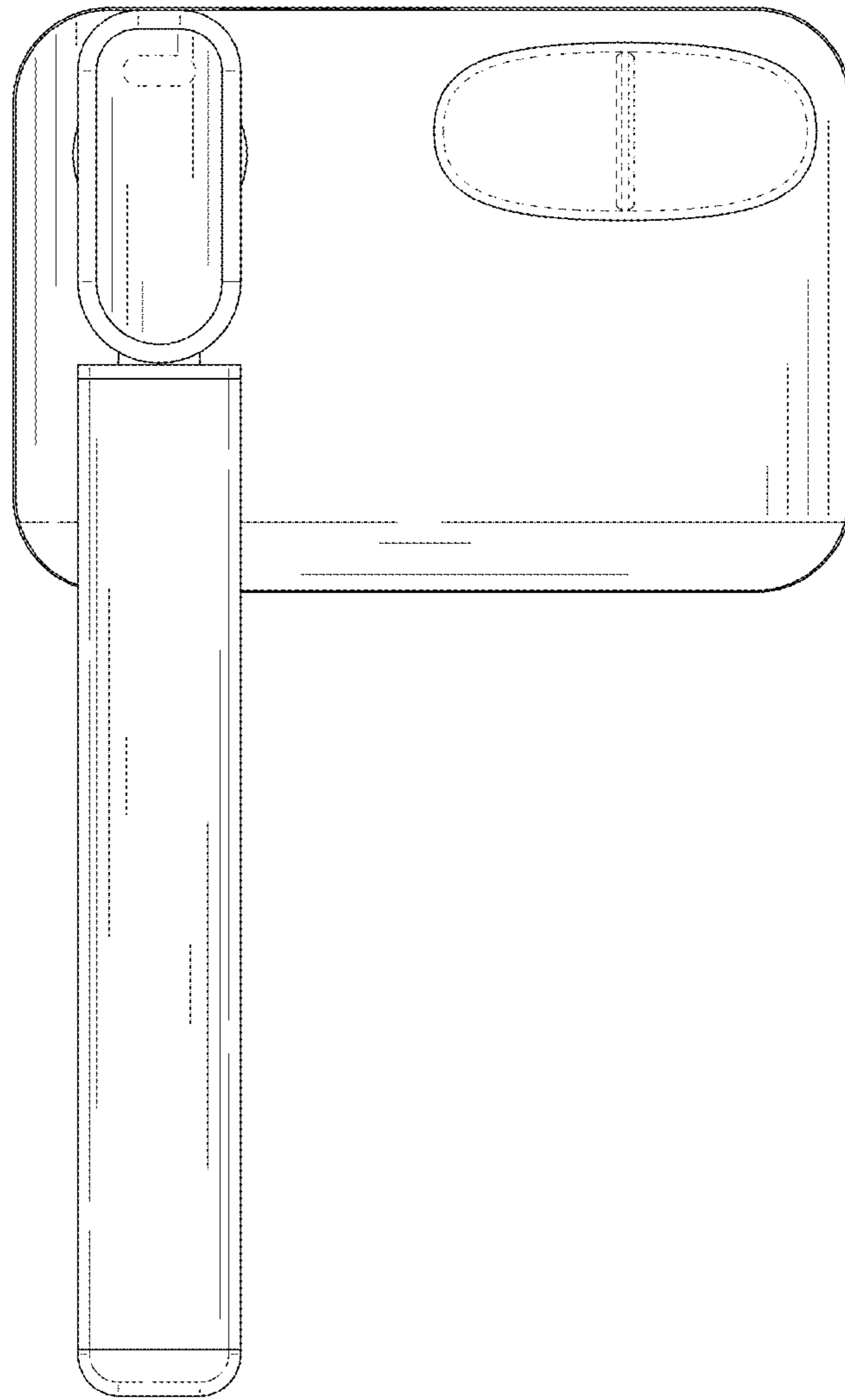


FIG. 7

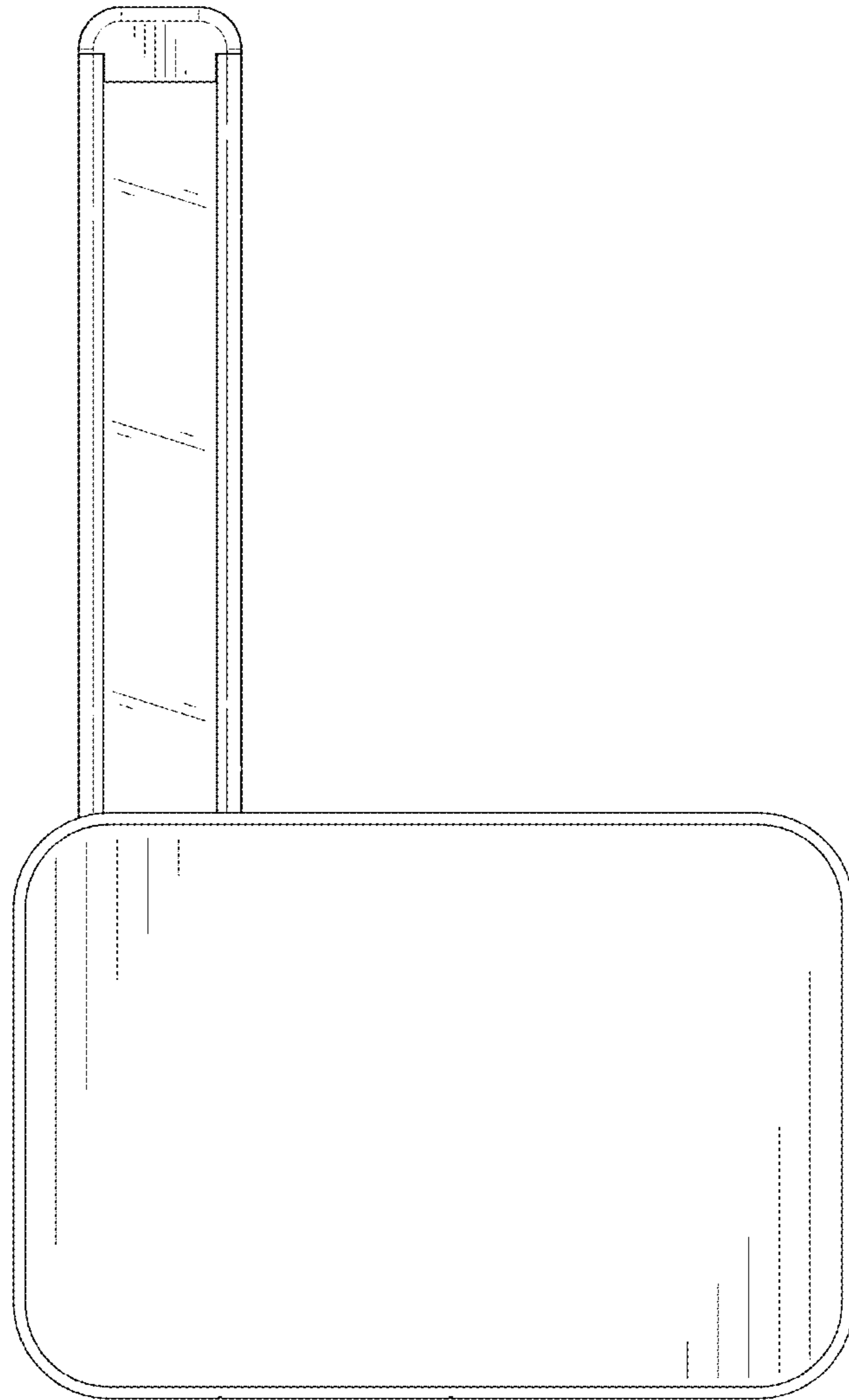


FIG. 8