

US00D967484S

(12) **United States Design Patent**
Chen

(10) **Patent No.:** **US D967,484 S**

(45) **Date of Patent:** **** Oct. 18, 2022**

(54) **DISCO LIGHT**

(71) Applicant: **Qiong Chen**, Hunan (CN)

(72) Inventor: **Qiong Chen**, Hunan (CN)

(**) Term: **15 Years**

(21) Appl. No.: **29/805,265**

(22) Filed: **Aug. 25, 2021**

(51) **LOC (13) Cl.** **26-05**

(52) **U.S. Cl.**
USPC **D26/63**

(58) **Field of Classification Search**
USPC D26/24, 60, 63, 87, 93, 102, 104, 106,
D26/107, 108, 110, 112
CPC F21S 6/00; F21S 6/002; F21S 6/003; F21S
6/005; F21S 6/006; F21S 6/008; F21S
8/043; F21S 8/08; F21V 21/02
See application file for complete search history.

(56) **References Cited**

U.S. PATENT DOCUMENTS

D403,800 S	1/1999	Chen	
D428,185 S	7/2000	Lau	
D640,405 S *	6/2011	Yamada	D26/63
D689,232 S *	9/2013	Velazquez	F21V 23/06
			D26/63
D729,973 S *	5/2015	Gebhard	D26/119
D815,769 S *	4/2018	Gong	D26/63
D845,530 S *	4/2019	Yu	D26/63
D866,833 S *	11/2019	Amin	D26/63

D894,460 S *	8/2020	Yu	D26/63
D951,522 S *	5/2022	Xiong	D26/110
2018/0320856 A1 *	11/2018	Romano	F21V 21/30

OTHER PUBLICATIONS

QFX LED Disco Light, QFX, <https://www.amazon.com/QFX-DL-100-LED-Disco-Light/dp/B00VVMKZE2>, Apr. 6, 2015 (Year: 2015).*

* cited by examiner

Primary Examiner — Richard Kearney
Assistant Examiner — Benjamin M Weeks

(74) *Attorney, Agent, or Firm* — True Shepherd, LLC;
Andrew Cheng

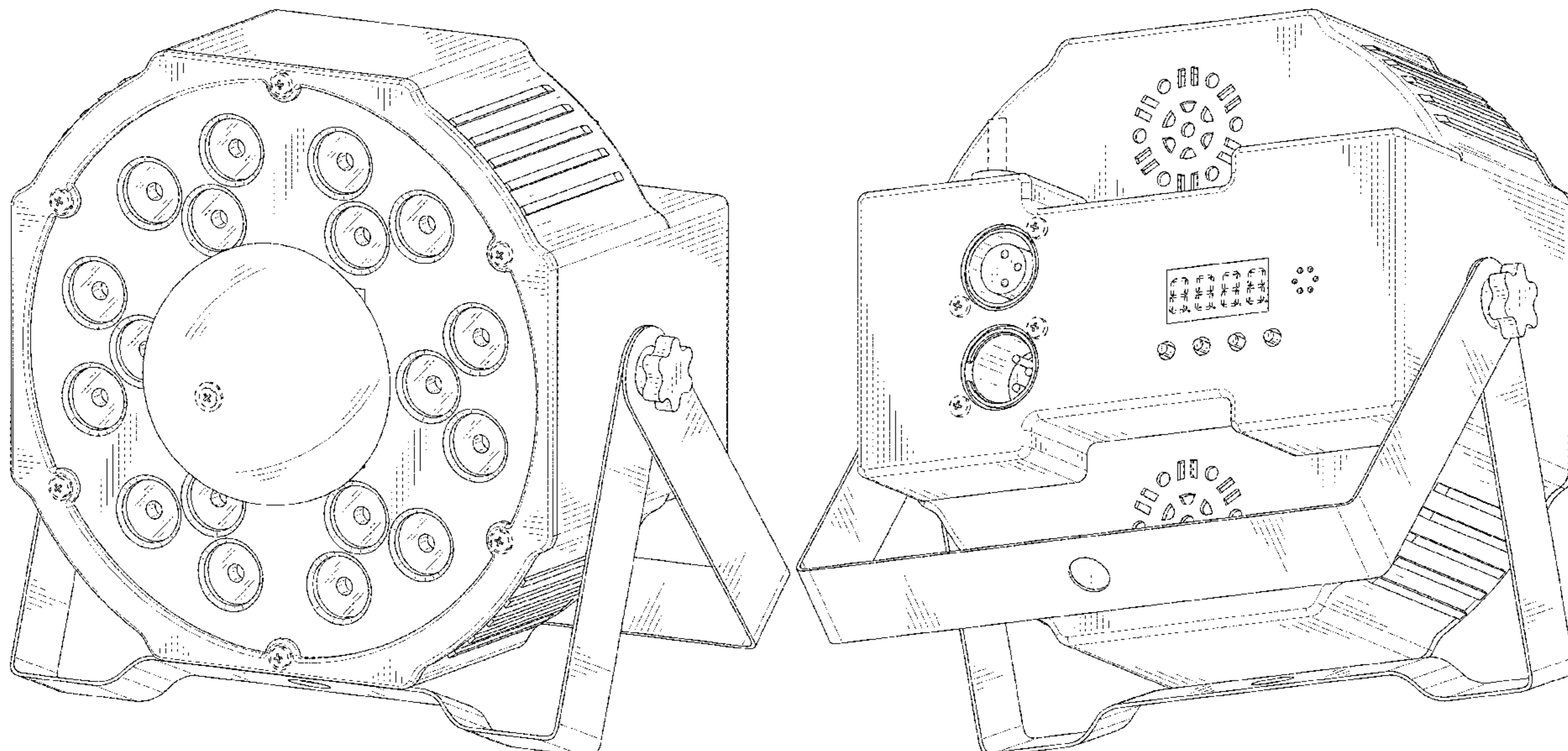
(57) **CLAIM**

The ornamental design for a disco light, as shown and described.

DESCRIPTION

FIG. 1 is a front, right, and top perspective view of a disco light, showing my design.
FIG. 2 is a rear, left, and bottom perspective view thereof.
FIG. 3 is a front elevation view thereof.
FIG. 4 is a rear elevation view thereof.
FIG. 5 is a left side elevation view thereof.
FIG. 6 is a right side elevation view thereof.
FIG. 7 is a top plan view thereof; and,
FIG. 8 is a bottom plan view thereof.
The broken lines in the drawings depict portions of the disco light that form no part of the claimed design.

1 Claim, 8 Drawing Sheets



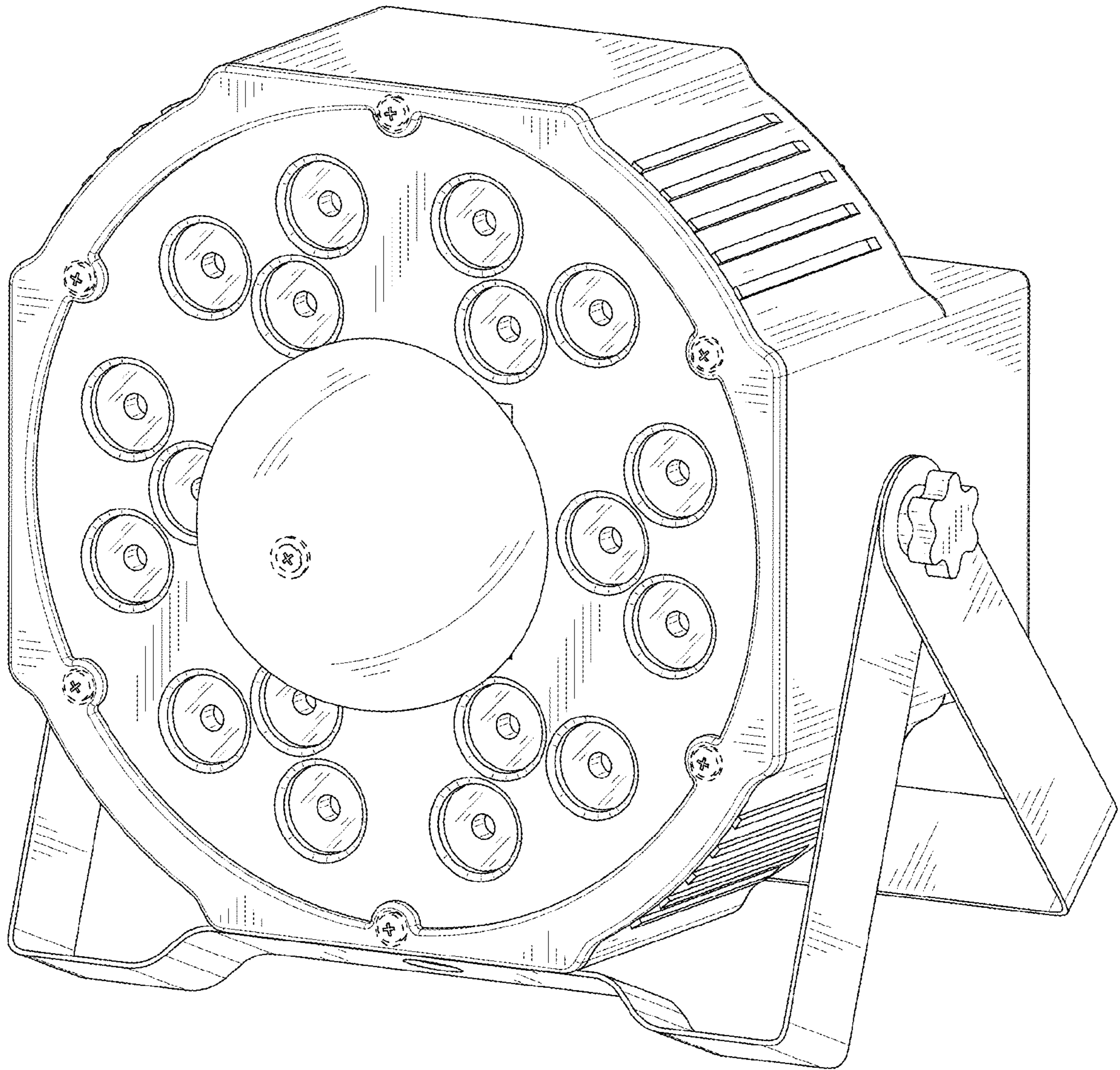


FIG. 1

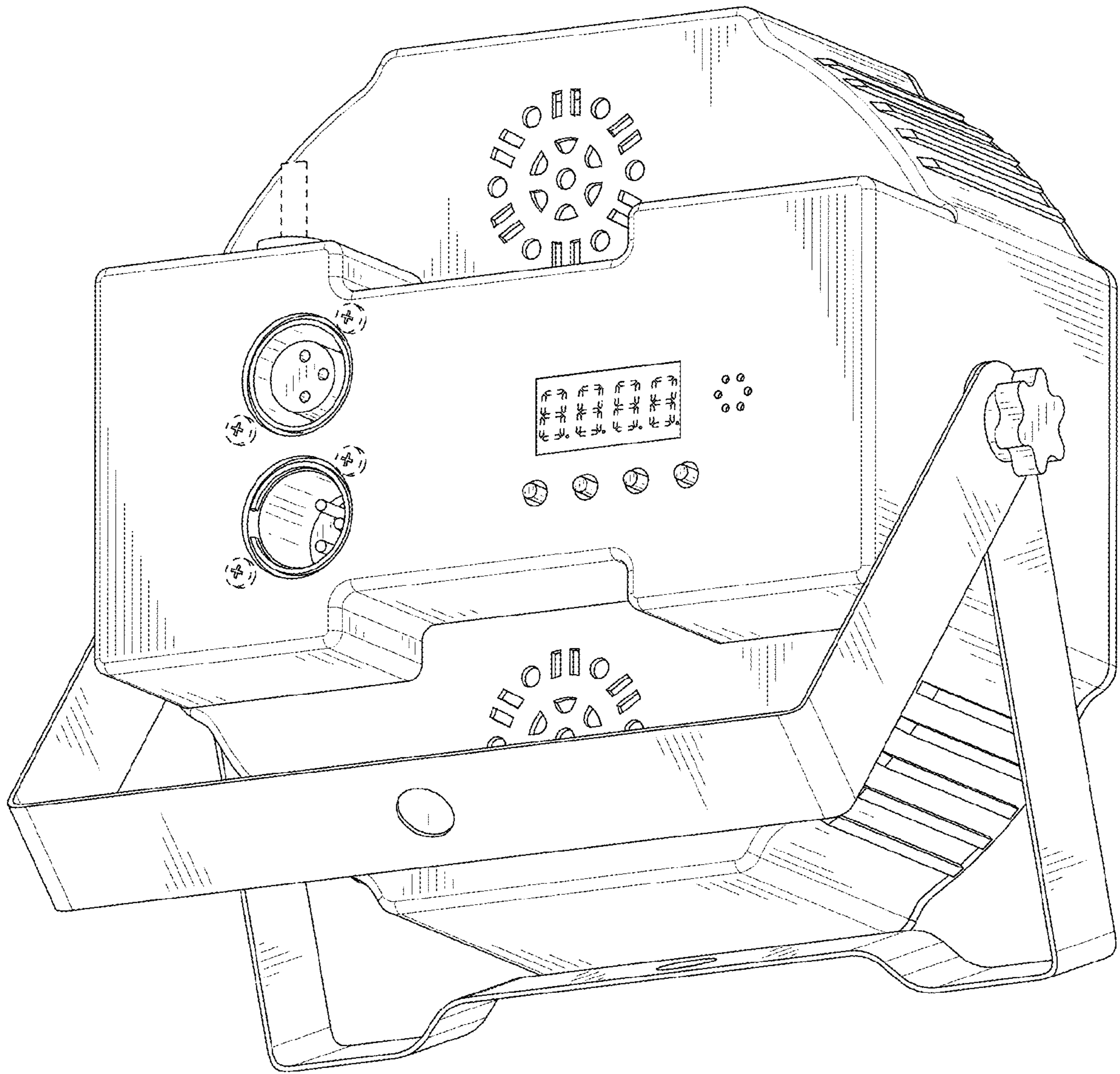


FIG. 2

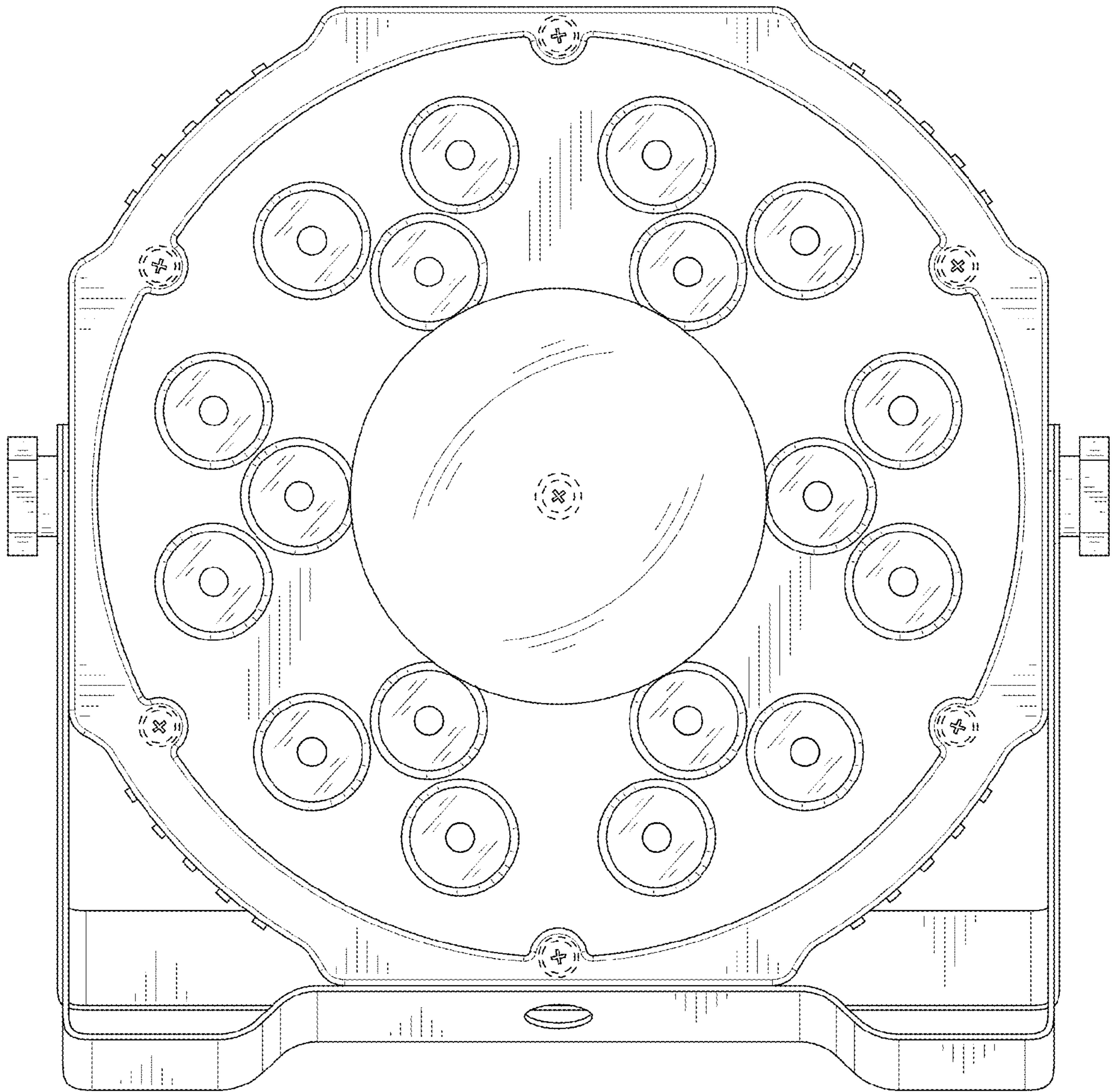


FIG. 3

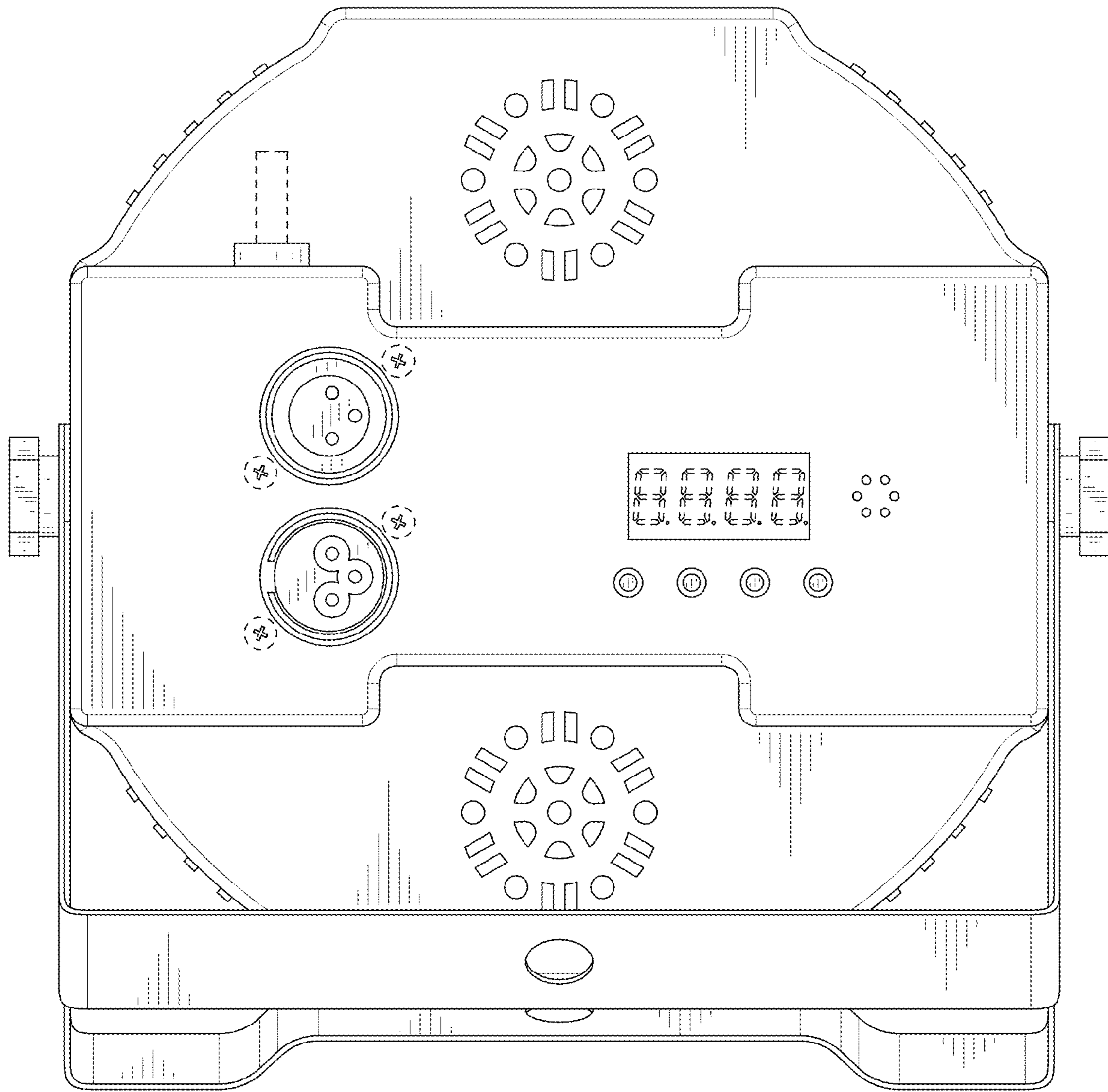


FIG. 4

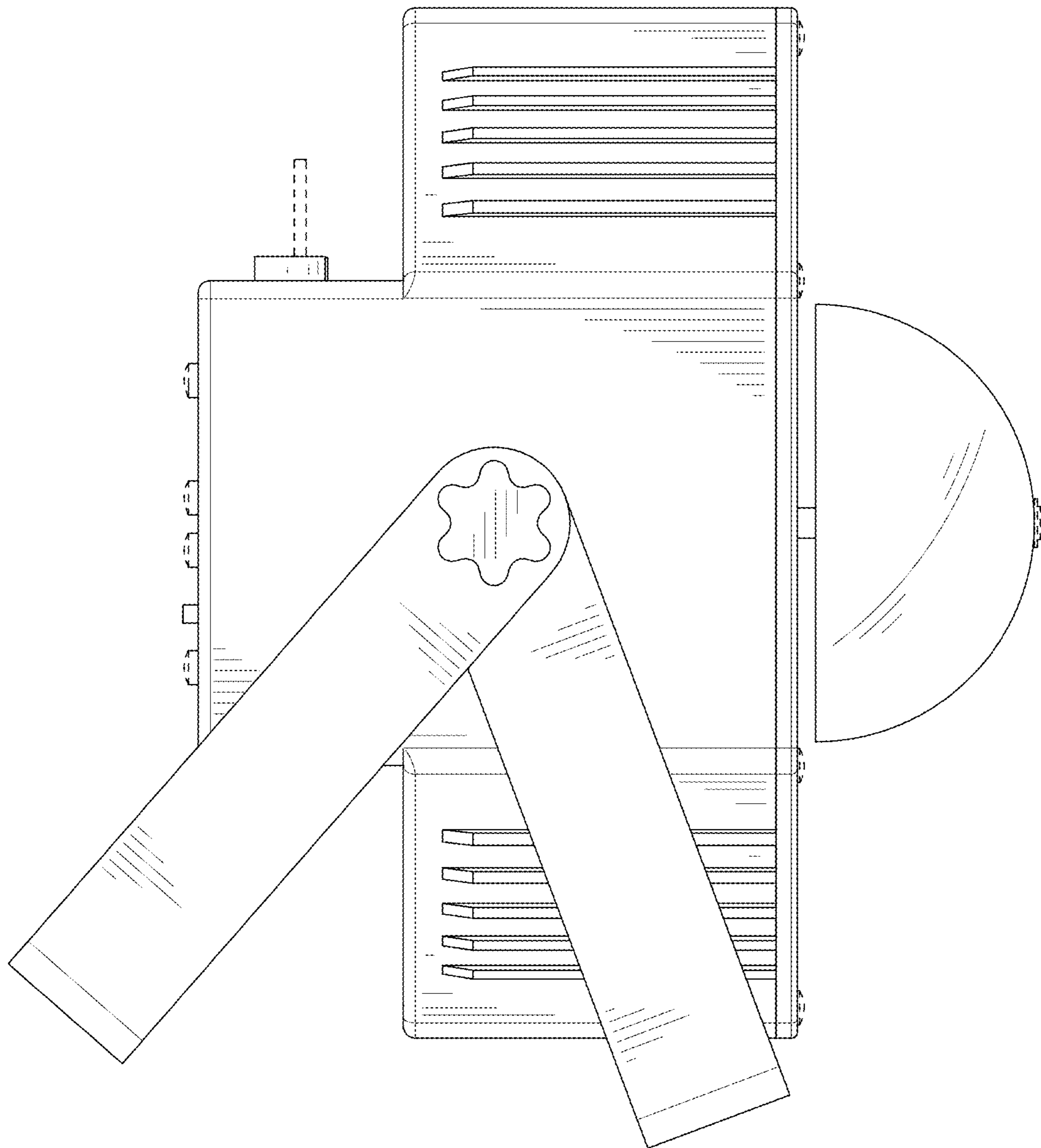


FIG. 5

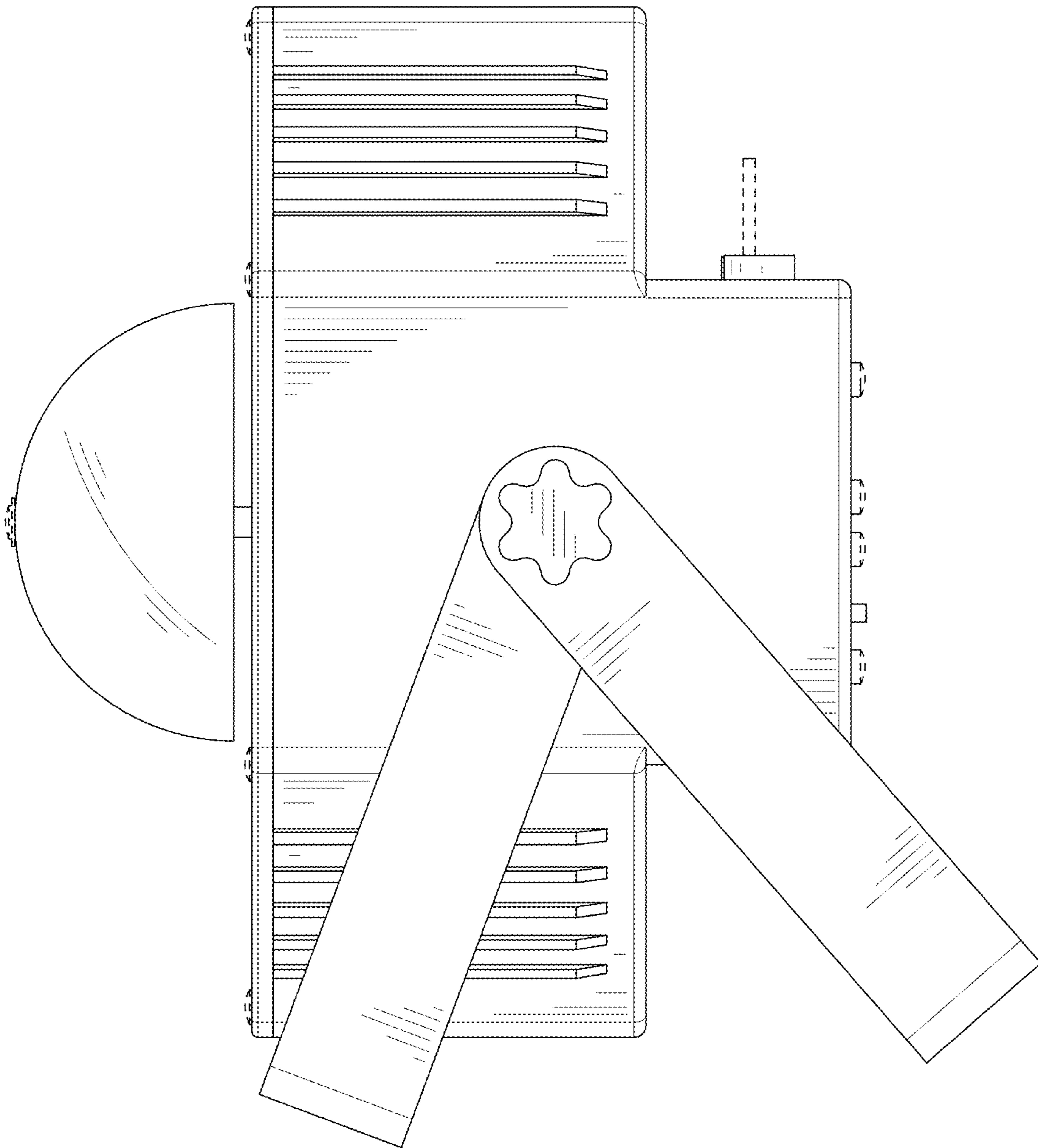


FIG. 6

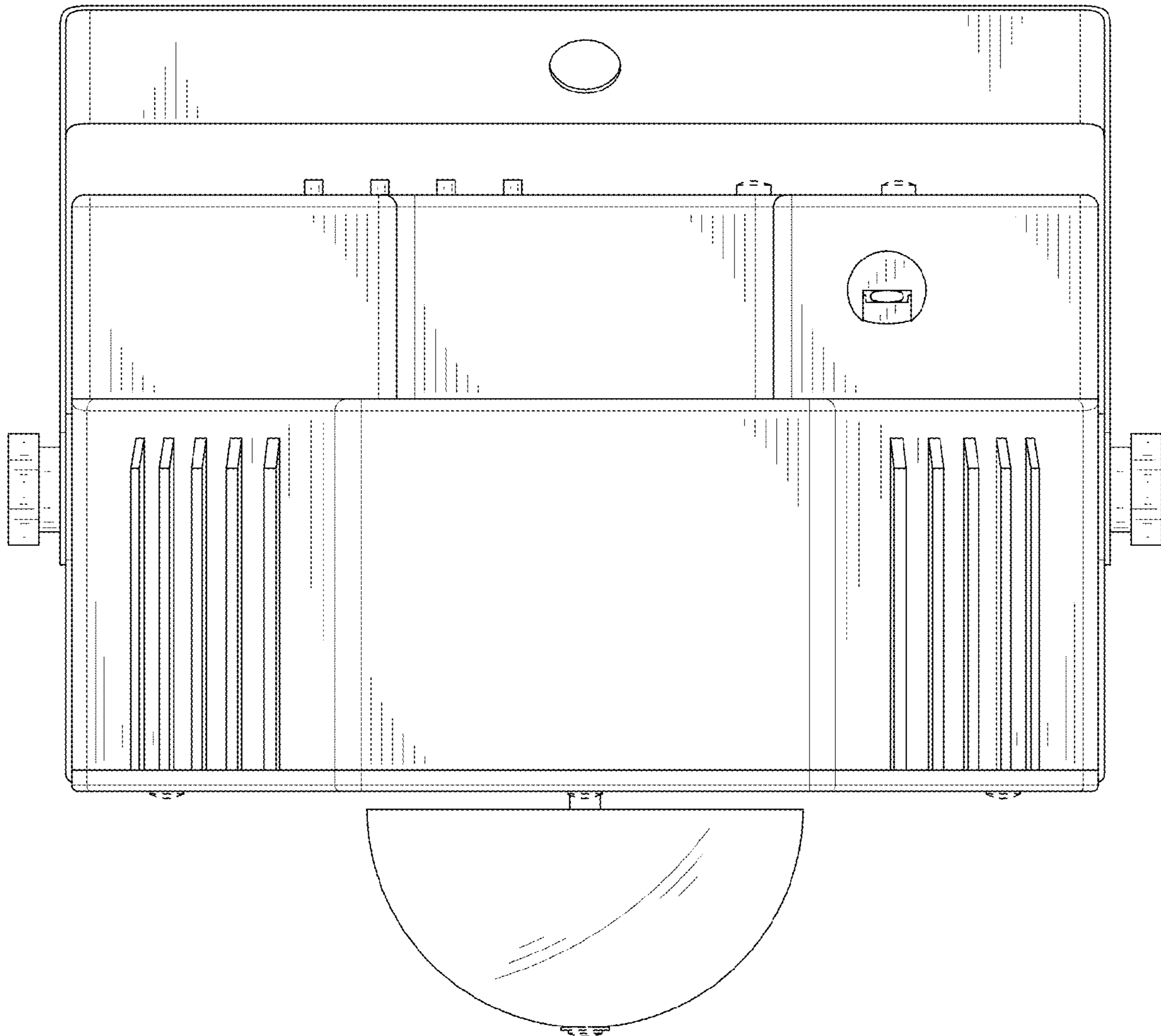


FIG. 7

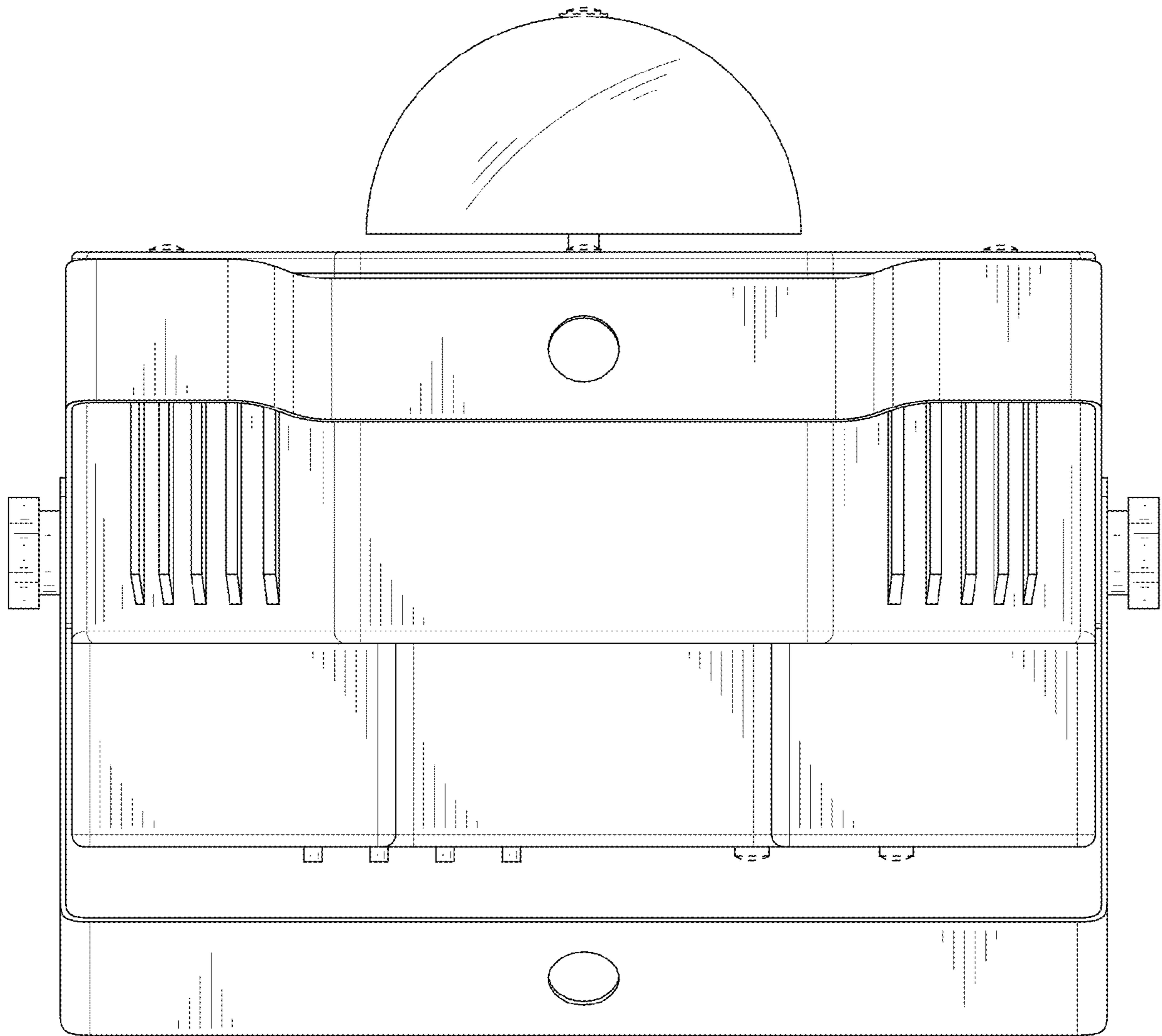


FIG. 8