



US00D967476S

(12) **United States Design Patent**
Tang

(10) **Patent No.:** **US D967,476 S**

(45) **Date of Patent:** **** Oct. 18, 2022**

(54) **AUTOMOBILE LAMP**

(71) Applicant: **Zhangping Tang**, Guangzhou (CN)

(72) Inventor: **Zhangping Tang**, Guangzhou (CN)

(**) Term: **15 Years**

(21) Appl. No.: **29/791,239**

(22) Filed: **Jan. 5, 2022**

(51) **LOC (13) Cl.** **26-06**

(52) **U.S. Cl.**

USPC **D26/28**

(58) **Field of Classification Search**

USPC D26/28-36, 139

CPC F21S 48/00; F21S 48/10; F21S 48/115;

F21S 48/225; F21S 48/1233; F21S

48/1266; F21S 48/1388; F21S 48/2268;

F21V 5/00; F21V 21/04; F21V 29/004;

B60Q 9/13; B60Q 9/135; B60Q 9/1375;

F21W 2102/17; F21W 2103/00; F21W

2103/35; F21W 2103/55; F21W 2107/13;

F21W 2107/17

See application file for complete search history.

(56) **References Cited**

U.S. PATENT DOCUMENTS

D560,291 S * 1/2008 Koyama D26/28

D560,832 S * 1/2008 Hsu D26/28

D561,358 S * 2/2008 Tachibana D26/28

D561,359 S * 2/2008 Hsu D26/28

D563,576 S * 3/2008 Hanaoka D26/28

D582,077 S 12/2008 Yang

D631,177 S 1/2011 Yang

D819,241 S 5/2018 Werner et al.

D895,180 S 9/2020 Hong et al.

* cited by examiner

Primary Examiner — Marcus A Jackson

(74) *Attorney, Agent, or Firm* — Jeenam Park

(57) **CLAIM**

The ornamental design for an automobile lamp, as shown and described.

DESCRIPTION

FIG. 1 is a perspective view of an automobile lamp, showing my new design;

FIG. 2 is a front view thereof;

FIG. 3 is a rear view thereof;

FIG. 4 is a left side view thereof;

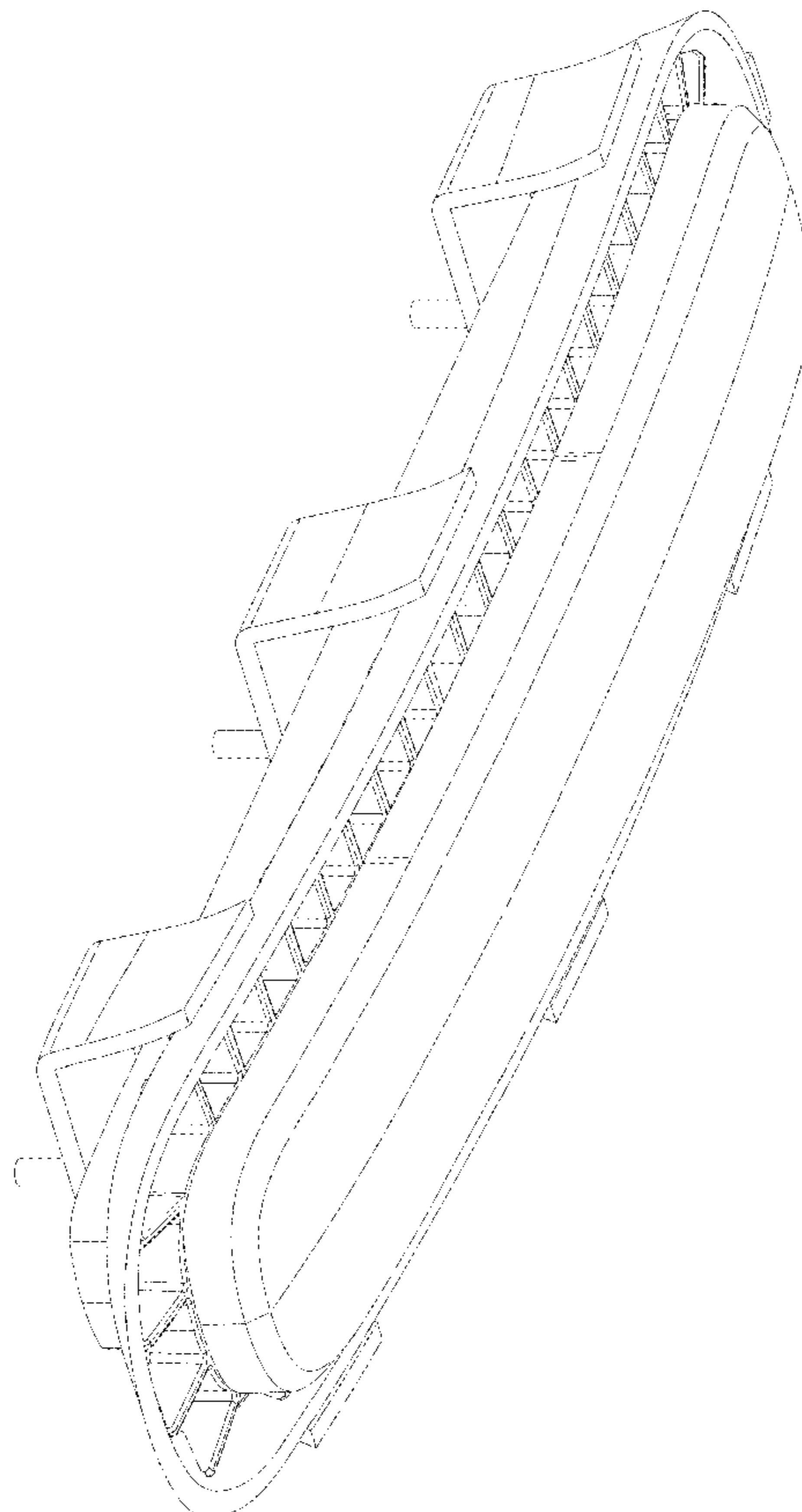
FIG. 5 is a right side view thereof;

FIG. 6 is a top plan view thereof; and,

FIG. 7 is a bottom plan view thereof.

The broken line showing of the automobile lamp is for the purpose of illustrating article and forms no part of the claimed design.

1 Claim, 7 Drawing Sheets



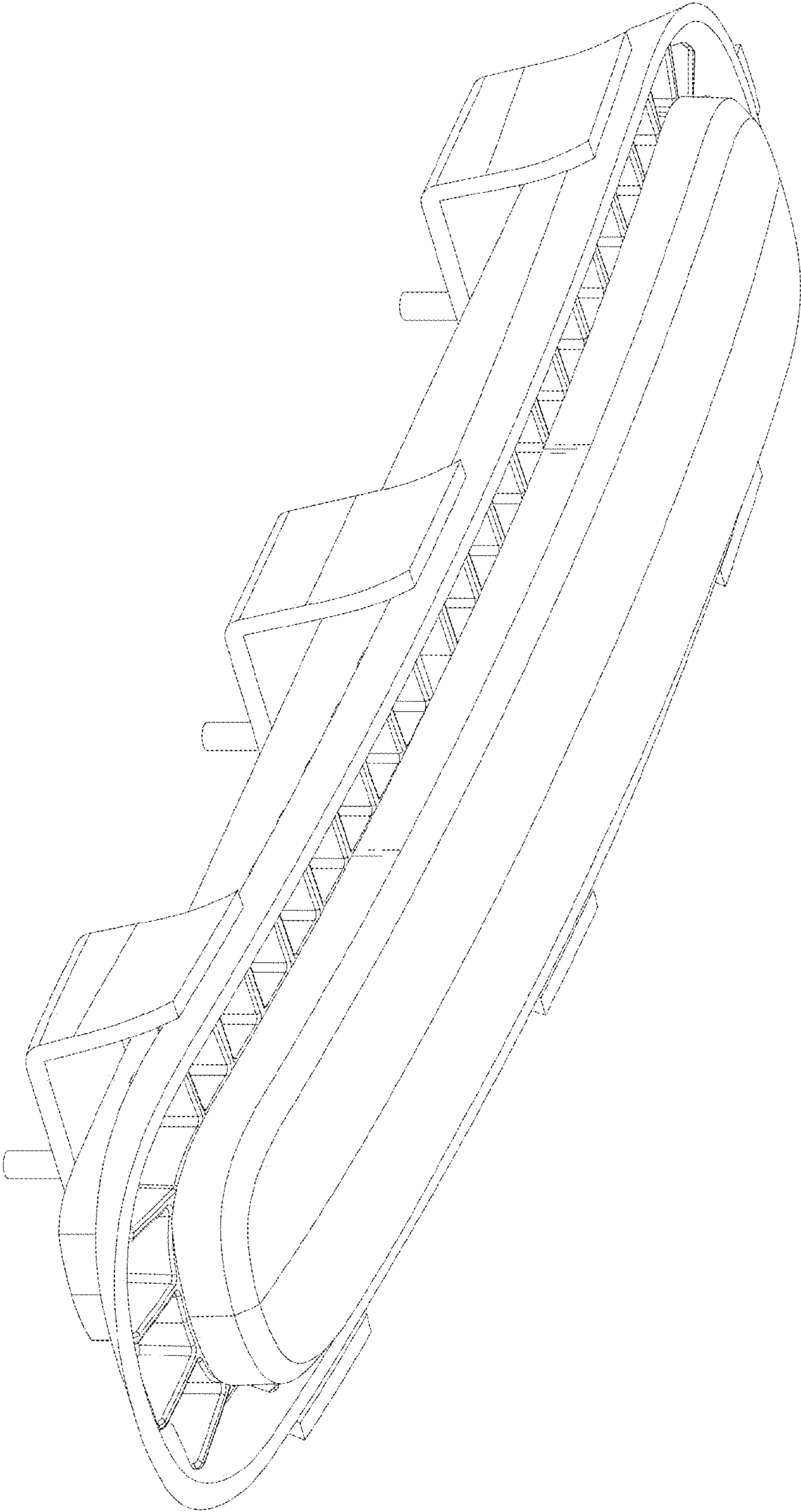


FIG. 1

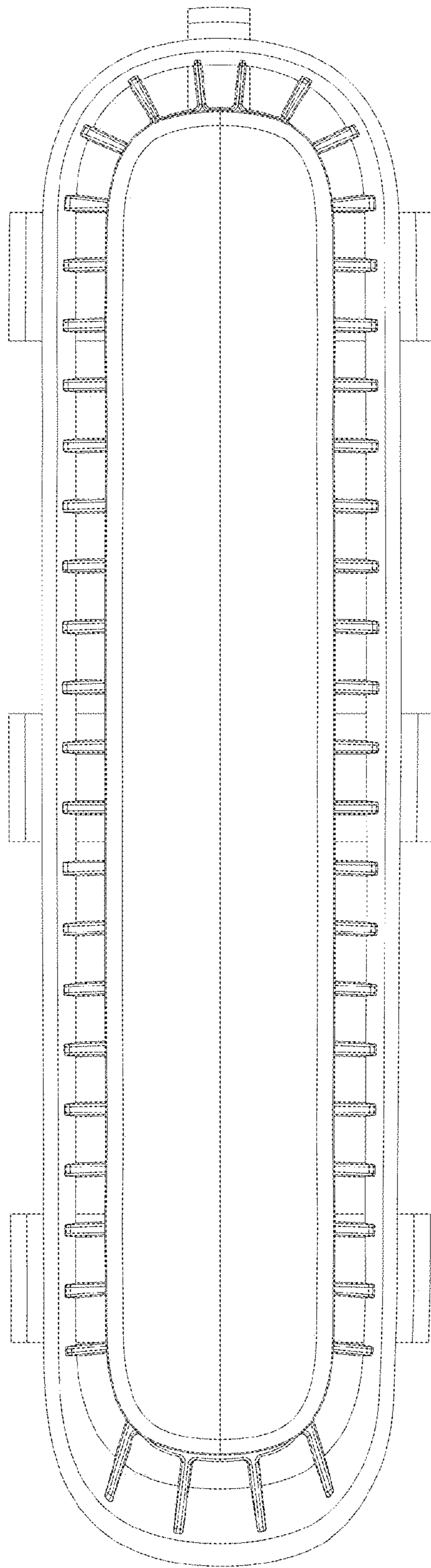


FIG. 2

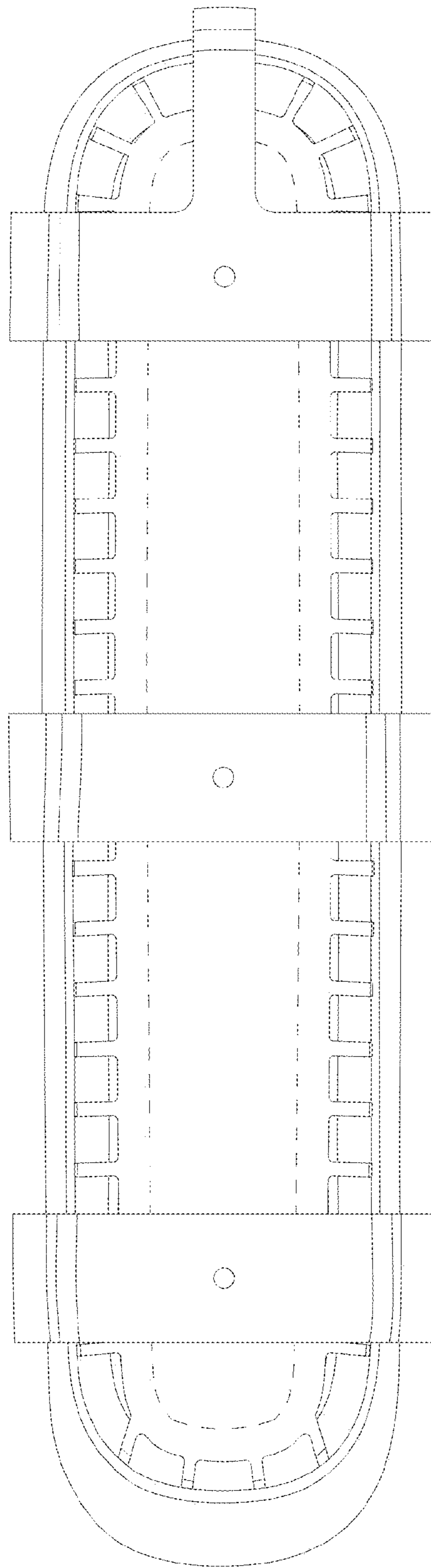


FIG. 3

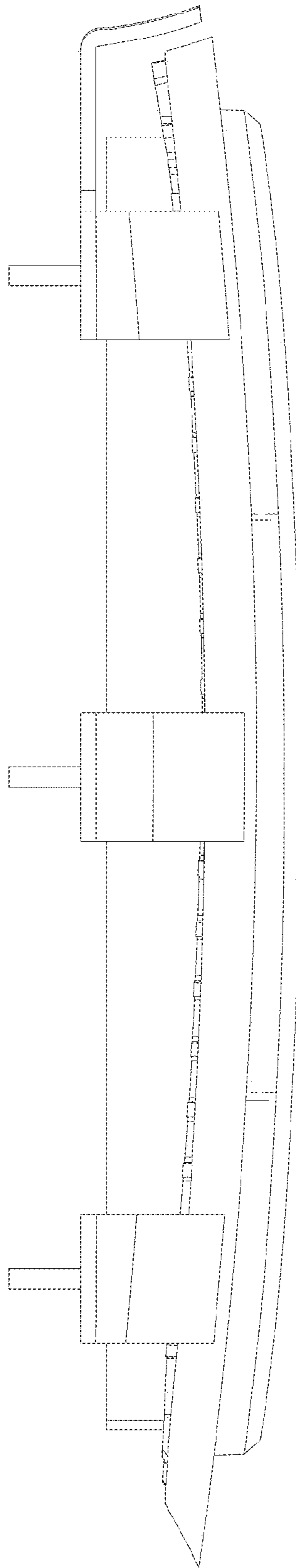


FIG. 4

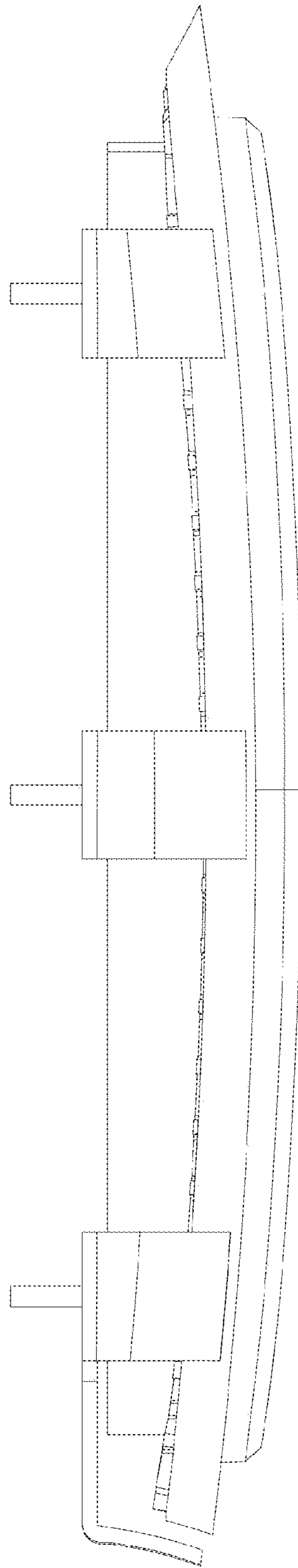


FIG. 5

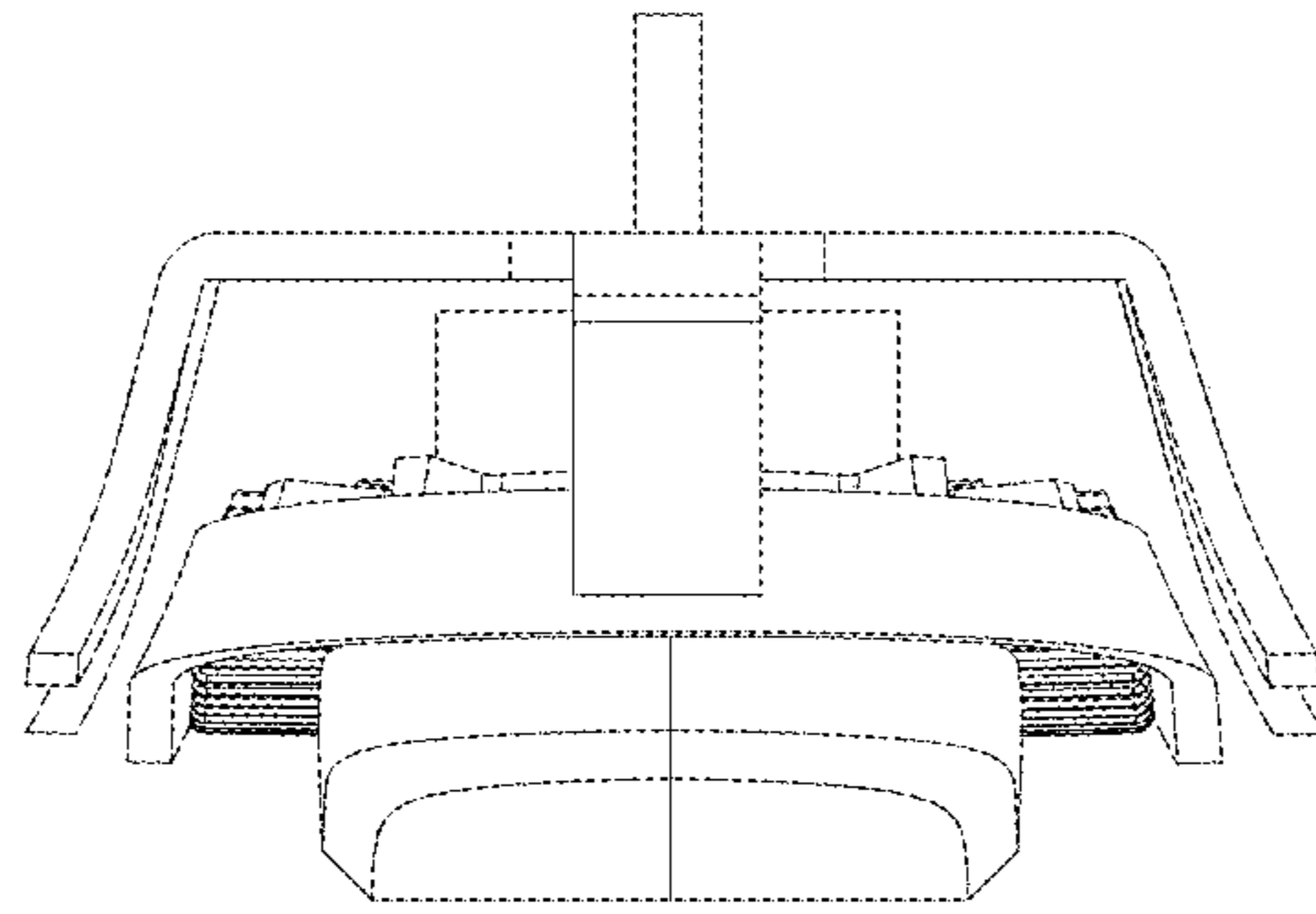


FIG. 6

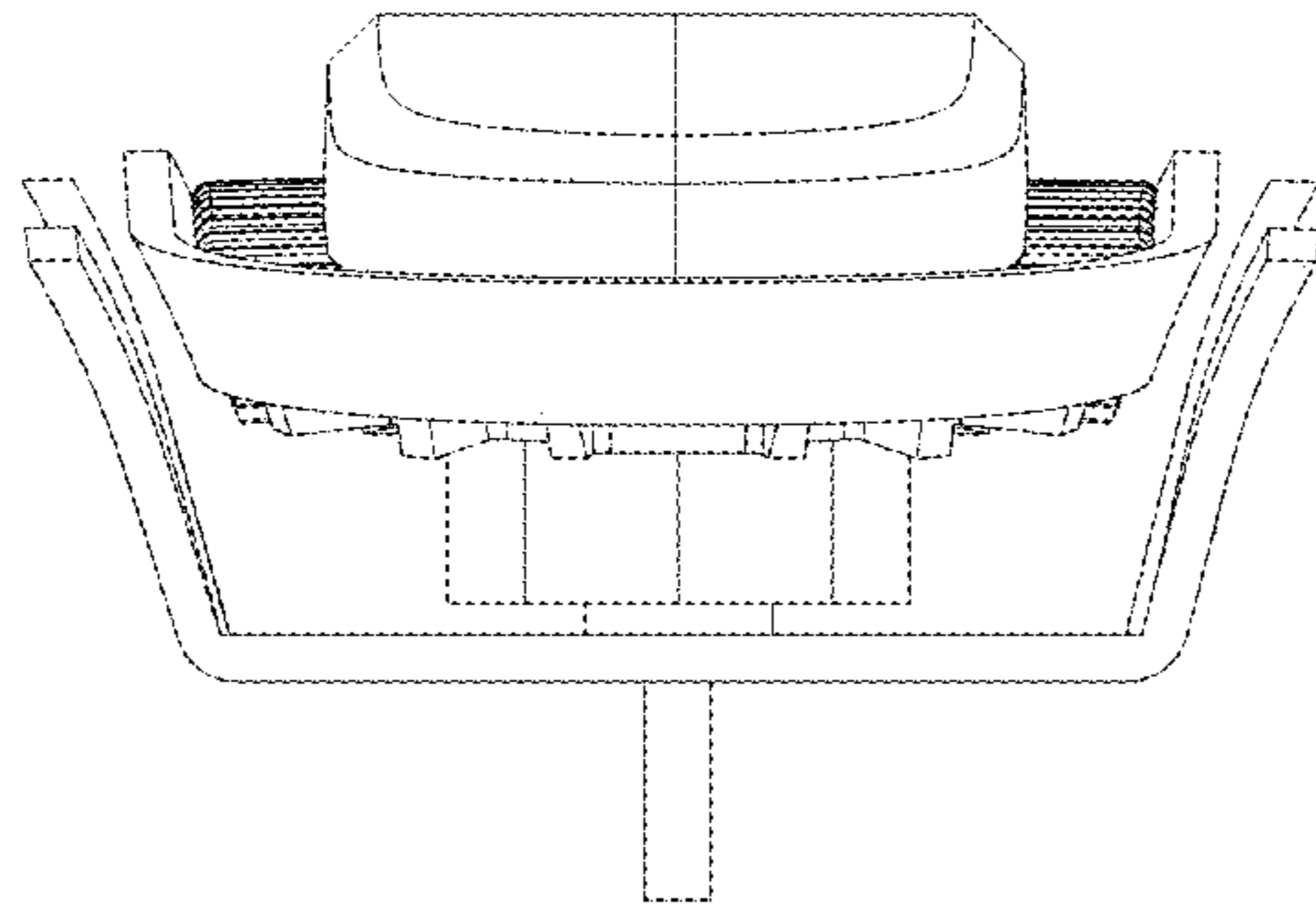


FIG. 7