

US00D967475S

(12) **United States Design Patent** (10) **Patent No.:** **US D967,475 S**
Leang et al. (45) **Date of Patent:** **** Oct. 18, 2022**

(54) **VEHICLE AUXILIARY LIGHT**

(71) Applicant: **KC IP HOLDINGS, LLC**, Gardena, CA (US)
(72) Inventors: **Bobby Leang**, Los Angeles, CA (US); **Zeke Kayne Patterson**, Valley Village, CA (US)
(73) Assignee: **KC IP HOLDINGS, LLC**, Gardena, CA (US)

(**) Term: **15 Years**

(21) Appl. No.: **29/763,686**

(22) Filed: **Dec. 23, 2020**

(51) **LOC (13) Cl.** **26-06**

(52) **U.S. Cl.**

USPC **D26/28**

(58) **Field of Classification Search**

USPC D26/28–36, 138

CPC F21V 21/02; F21V 23/06; F21V 21/08;

F21S 8/003; H01L 51/5228; H01L

51/5212; B60Q 1/18

See application file for complete search history.

(56) **References Cited**

U.S. PATENT DOCUMENTS

D574,978 S *	8/2008	Hyodo	D26/28
D697,241 S *	1/2014	Chen	D26/28
D704,365 S *	5/2014	Adams	D26/28
D718,478 S *	11/2014	Adams	D26/28
D761,482 S *	7/2016	Largent	D26/118
D765,287 S *	8/2016	Kosugi	D26/28
D827,167 S *	8/2018	Deyaf	D26/28
D831,864 S *	10/2018	Bennett	D26/28
D864,446 S *	10/2019	Lai	D26/28
D876,692 S *	2/2020	Yahr	D26/36
D882,835 S *	4/2020	Harriton	D26/28
D936,876 S *	11/2021	Sibitzky	D26/35
2016/0327247 A1 *	11/2016	Leang	B60Q 1/2611

OTHER PUBLICATIONS

RUN-D Amber Cube Led Driving Lights, available in Amazon.com, date first available Dec. 3, 2015 [online], [site visited May 12, 2022], Available from the internet URL: https://www.amazon.com/dp/B018V7GXCW/ref=cm_sw_em_r_mt_dp_ECNSPYCEDHSAJKVKJQEM (Year: 2015).*

Flex LED: modular and expandable capabilities, announced in YouTube on Sep. 16, 2015 [online], [site visited May 12, 2022], Available from the internet URL: <https://www.youtube.com/watch?v=HagCvLxFcVc> (Year: 2015).*

* cited by examiner

Primary Examiner — Brett Miller

Assistant Examiner — Jasmine L. Comedy

(74) *Attorney, Agent, or Firm* — Stetina Brunda Garred & Brucker

(57) **CLAIM**

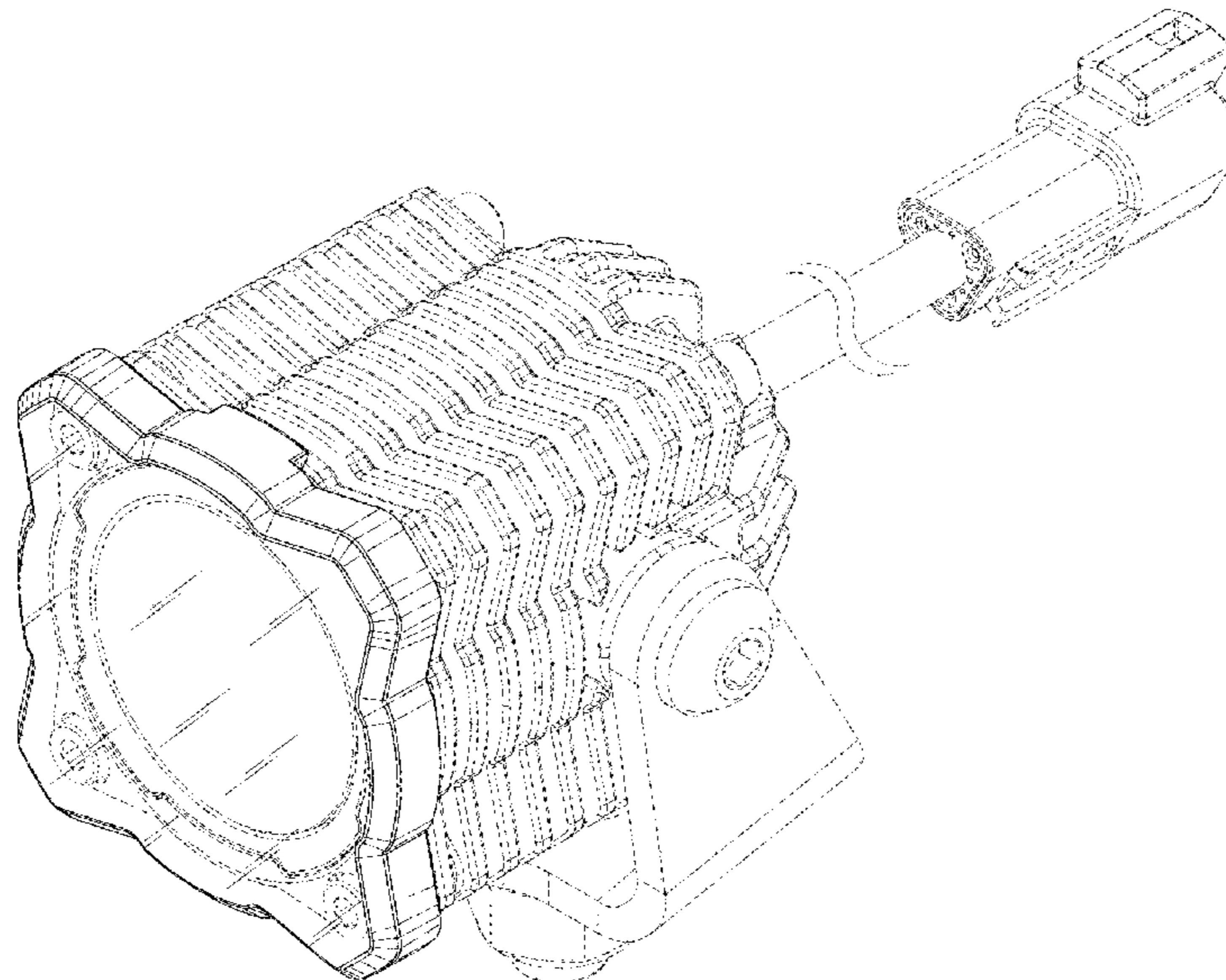
The ornamental design for a vehicle auxiliary light, as shown and described.

DESCRIPTION

FIG. 1 is a front perspective view showing a vehicle auxiliary light of the present invention; FIG. 2 is a front view thereof; FIG. 3 is a rear thereof; FIG. 4 is a top view thereof; FIG. 5 is a right side view thereof; FIG. 6 is a left side view thereof; and, FIG. 7 is a bottom view thereof.

In the drawings, the broken line showings are for the purpose of illustrating portions of the vehicle auxiliary light or environmental structure that form no part of the claimed design.

1 Claim, 4 Drawing Sheets



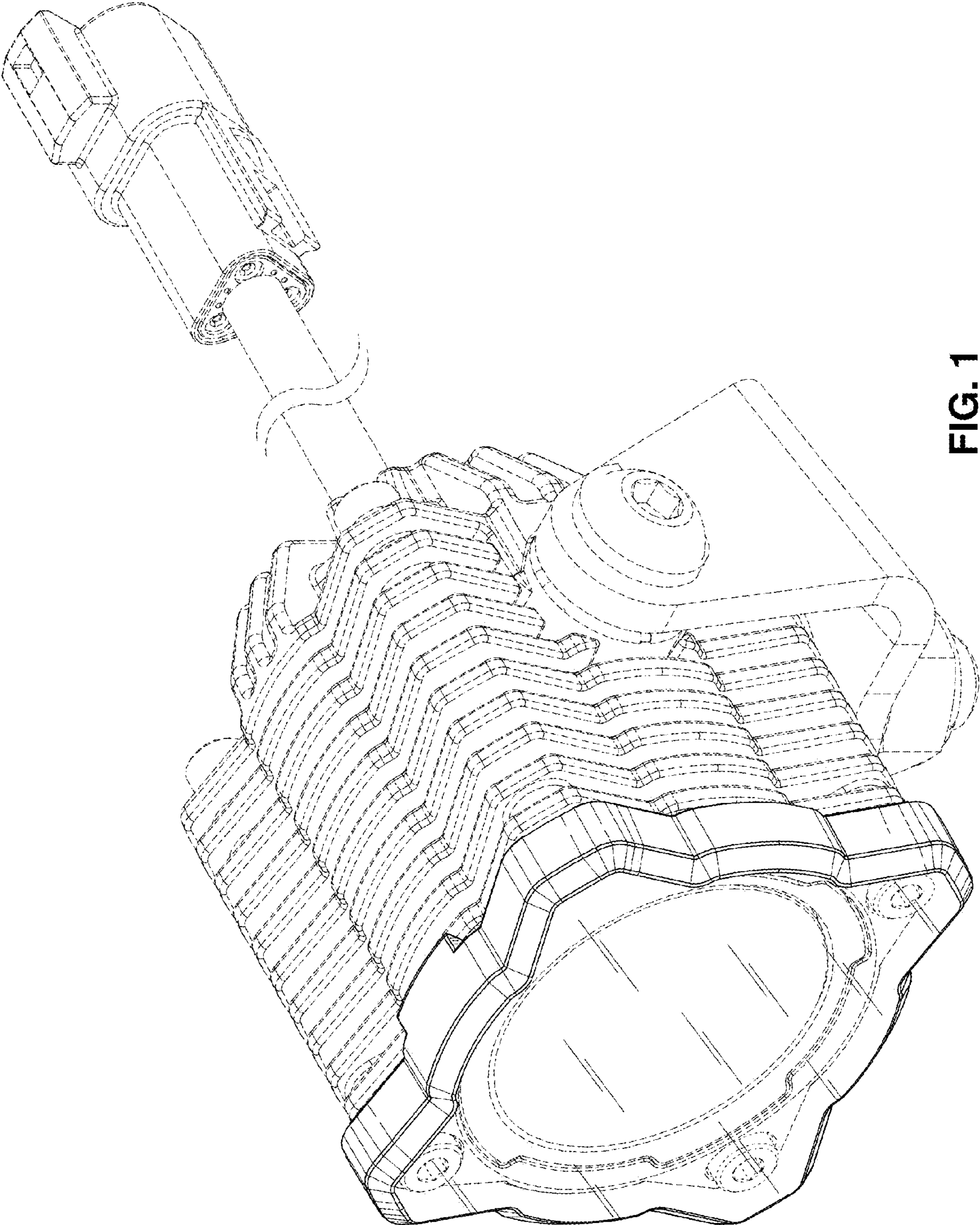


FIG. 1

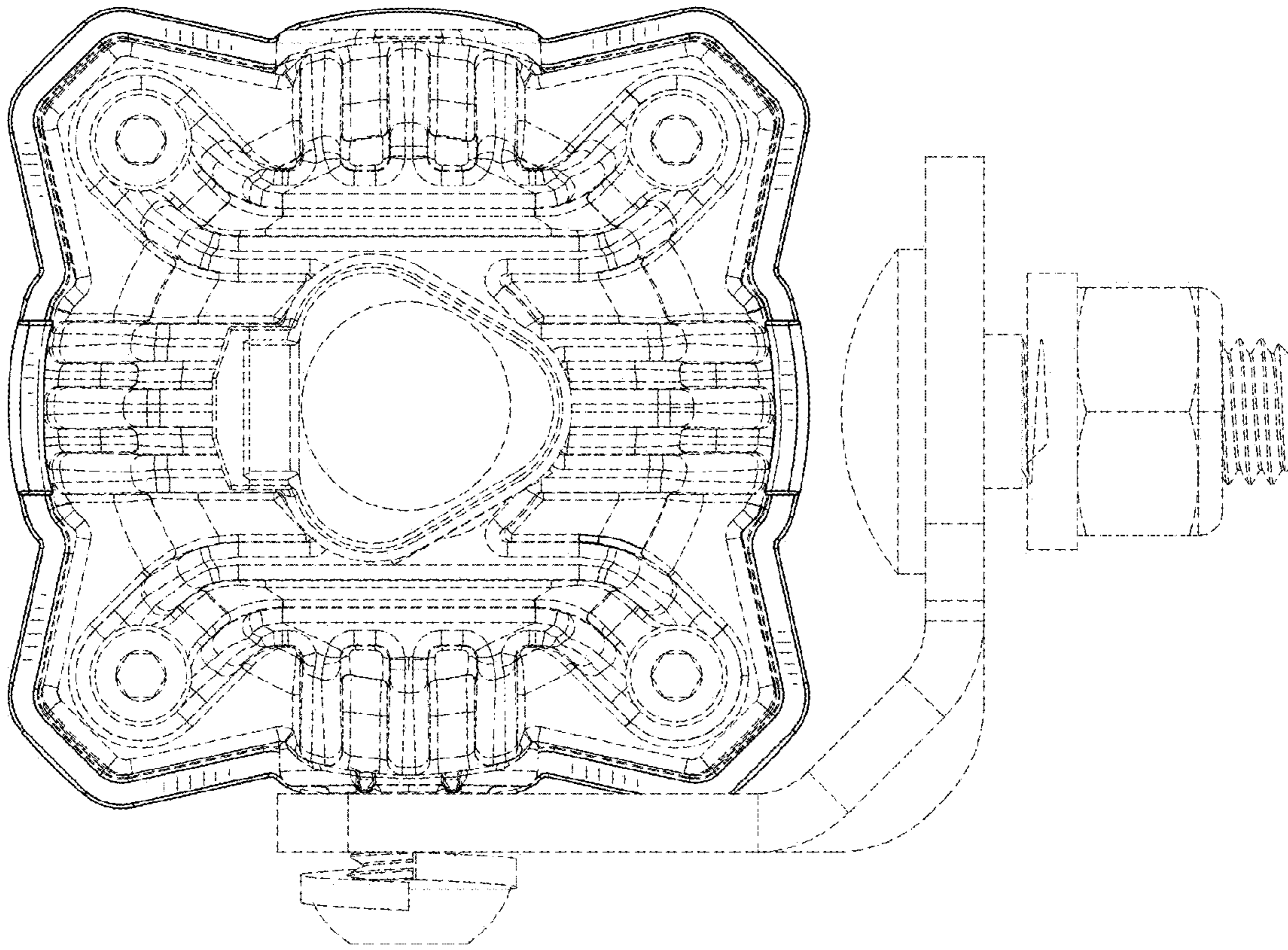


FIG. 3

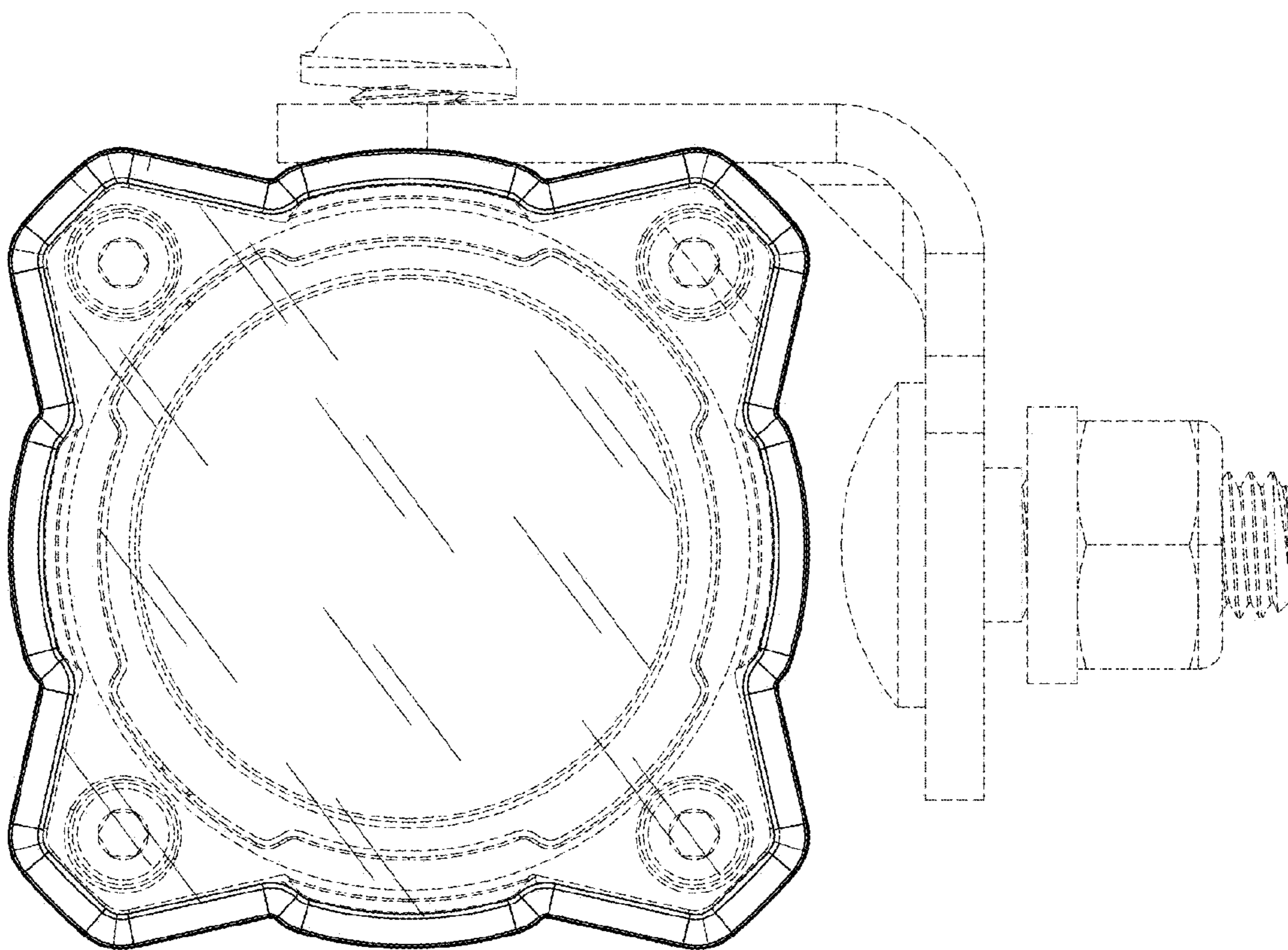


FIG. 2

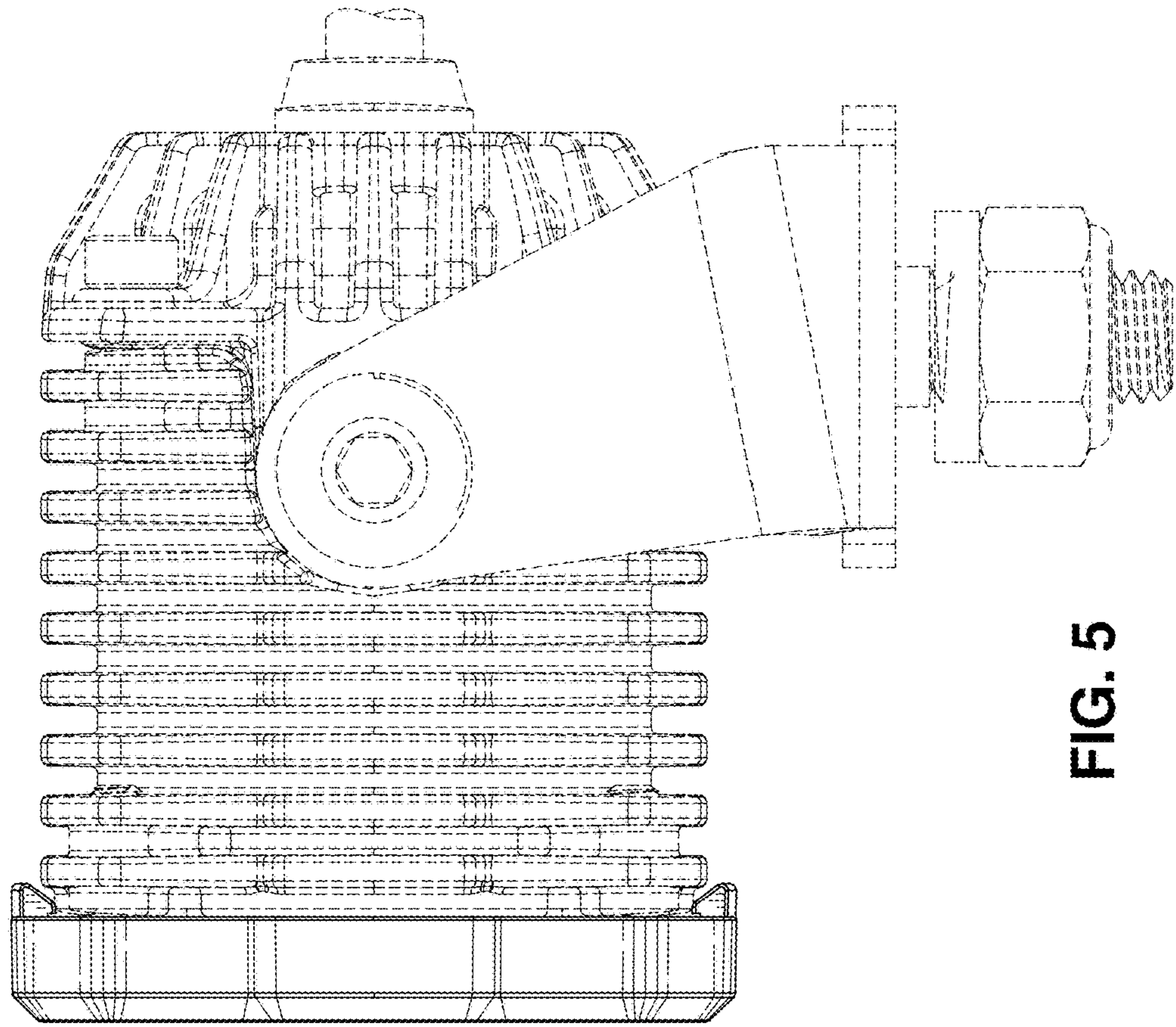


FIG. 5

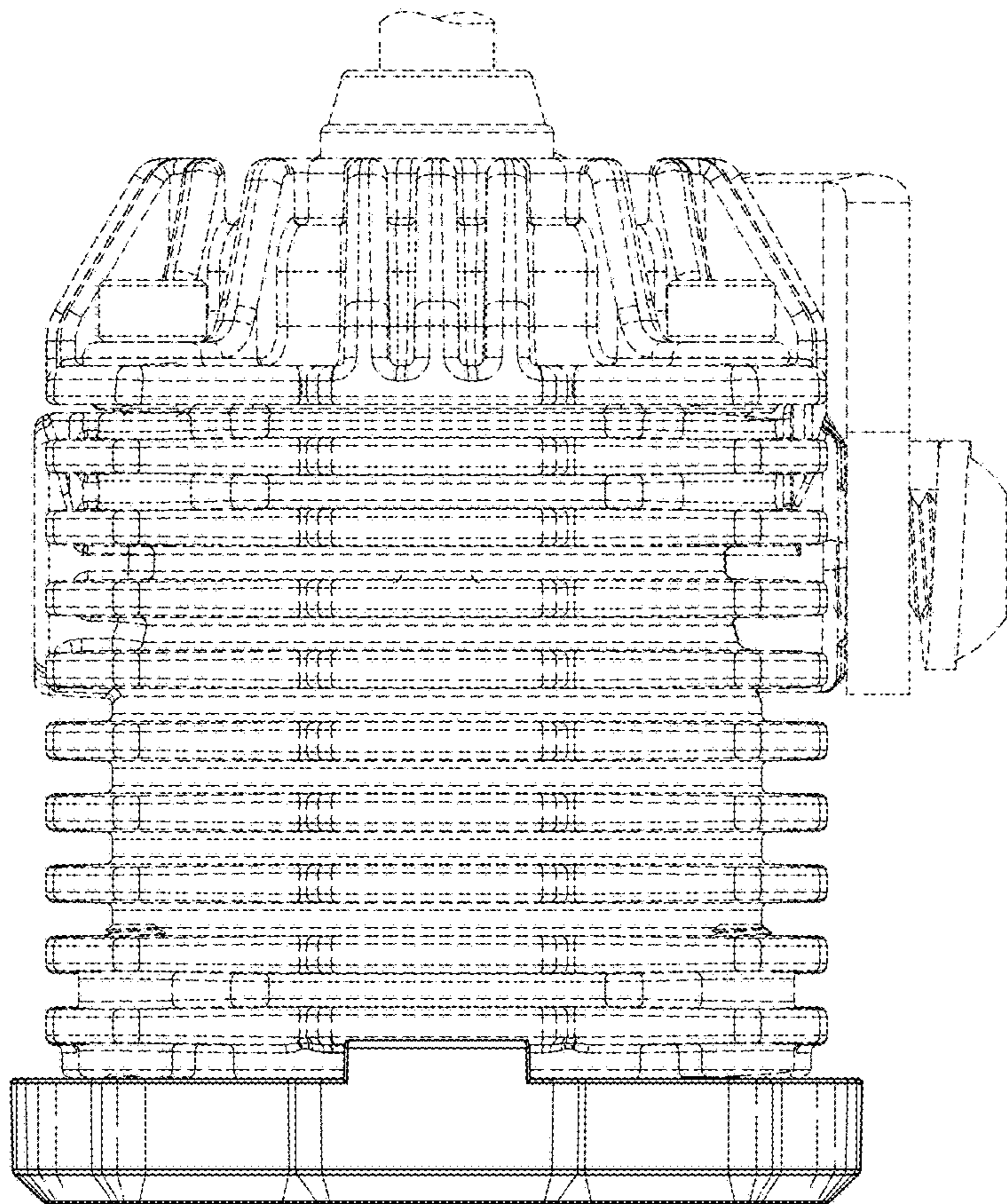


FIG. 4

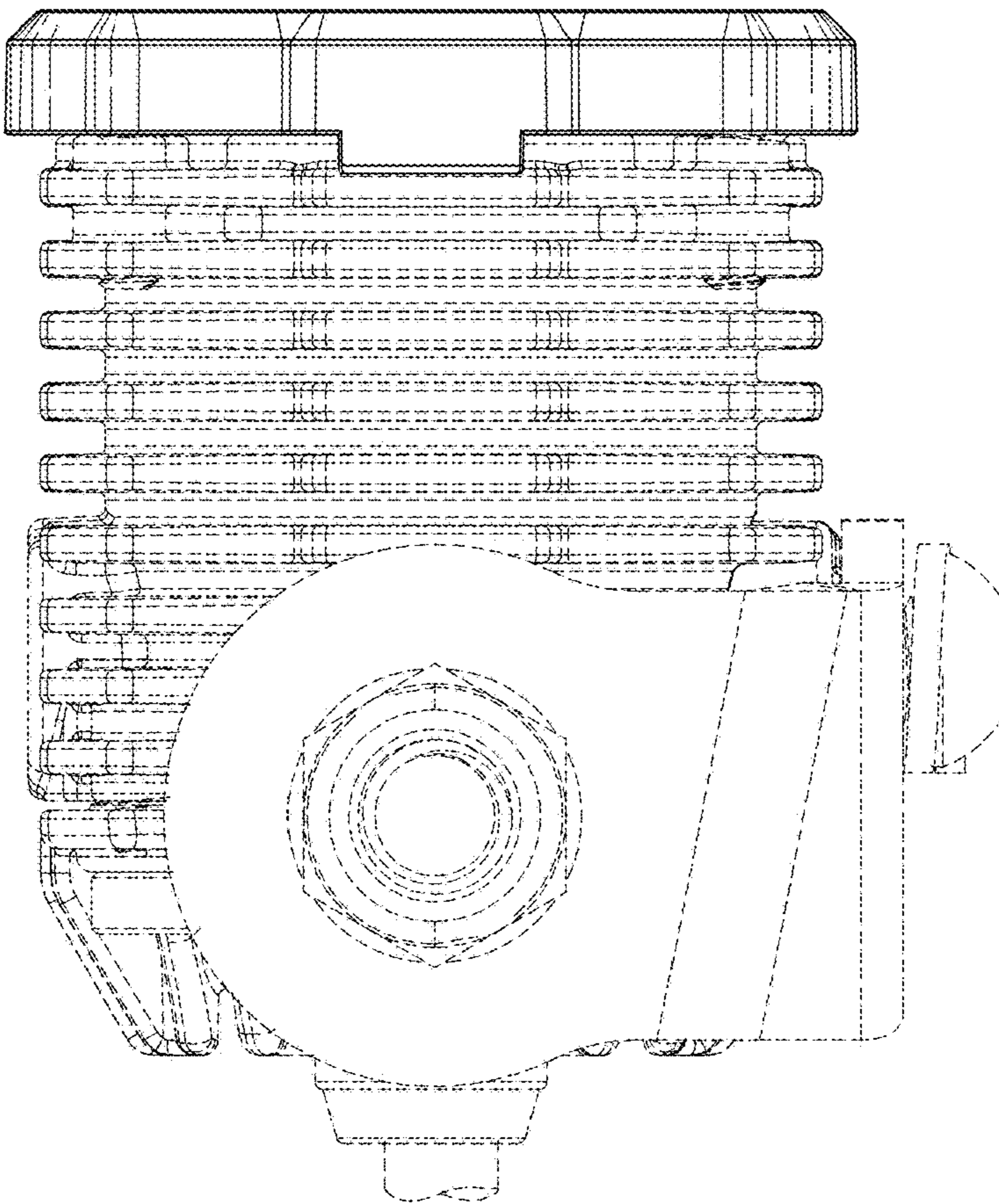


FIG. 7

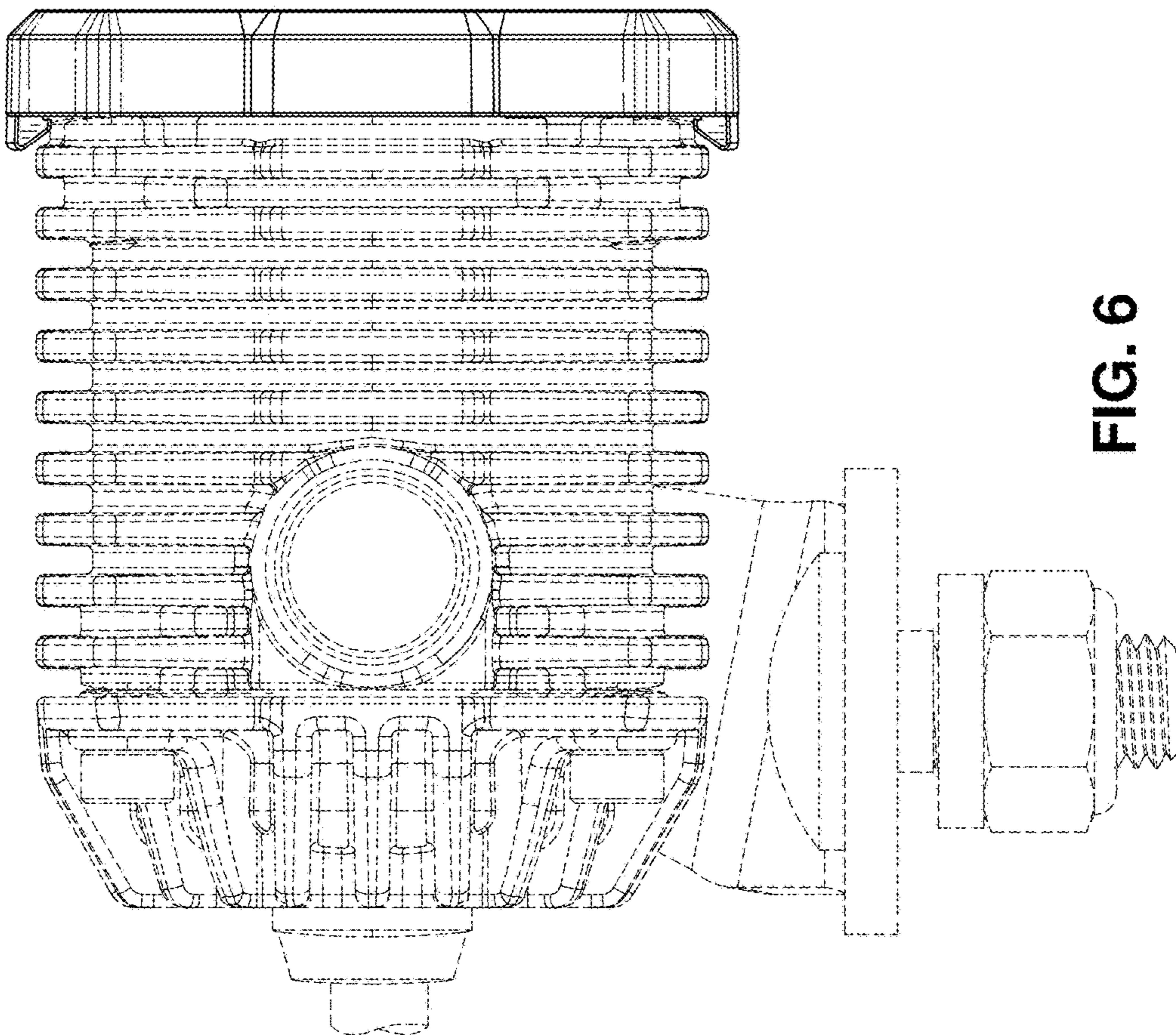


FIG. 6