



US00D967472S

(12) **United States Design Patent**
Lin

(10) **Patent No.:** **US D967,472 S**
(45) **Date of Patent:** **** Oct. 18, 2022**

- (54) **AUTOMOBILE HEADLIGHT**
- (71) Applicant: **Chi-Chung Lin**, Hsinchu (TW)
- (72) Inventor: **Chi-Chung Lin**, Hsinchu (TW)
- (**) Term: **15 Years**
- (21) Appl. No.: **29/738,877**
- (22) Filed: **Jun. 19, 2020**
- (51) **LOC (13) Cl.** **26-06**
- (52) **U.S. Cl.**
USPC **D26/28**
CPC **F21S 41/00** (2018.01)
- (58) **Field of Classification Search**
USPC D26/28, 29, 30, 31, 32, 33, 34, 35, 36
CPC F21S 41/00; F21S 41/141; F21S 41/162;
F21S 41/18; F21S 41/20; F21S 41/36;
F21S 41/60; F21W 2103/40; F21W
2107/17; F21W 2103/35; F21W 2107/13
See application file for complete search history.

D887,040 S * 6/2020 Lee D26/28
D921,942 S * 6/2021 Lin D26/28
D929,625 S * 8/2021 Yeh D26/28

OTHER PUBLICATIONS

“Spyder Auto Projector Headlight”, by Spyder Auto, published by Amazon on Aug. 15, 2010, first visited on Nov. 15, 2020 via URL: <https://www.amazon.com/dp/B003ZNXFLA/ref=twister_B01F3I6ZMA?_encoding=UTF8&th=1> (Year: 2010).*

* cited by examiner

Primary Examiner — Richard E Chilcot
(74) *Attorney, Agent, or Firm* — Alexander Chen, Esq.

(57) **CLAIM**

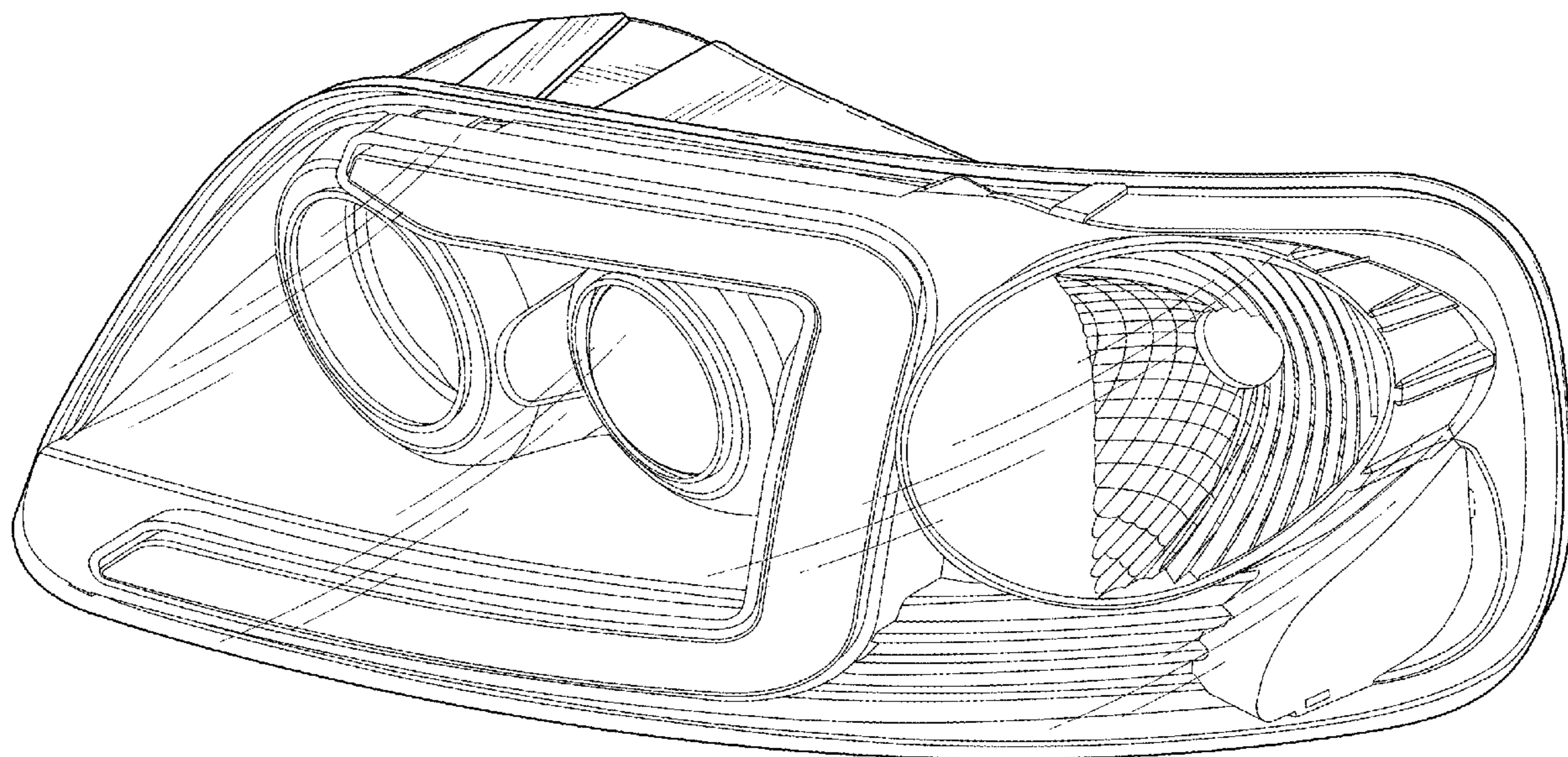
The ornamental design for an automobile headlight, as shown and described.

DESCRIPTION

FIG. 1 is a perspective view of an automobile headlight; FIG. 2 is a side view thereof; FIG. 3 is a top view thereof; and, FIG. 4 is a bottom view thereof. The broken lines in the drawings depict portions of the automobile headlight that form no part of the claimed design. The drawings and descriptions represent the left side embodiment. The claim is also for a mirror image right side embodiment.

1 Claim, 4 Drawing Sheets

- (56) **References Cited**
U.S. PATENT DOCUMENTS
D506,843 S 6/2005 Lin
D831,245 S * 10/2018 Lin D26/28
D844,864 S * 4/2019 Lin D26/28
D857,258 S * 8/2019 Lin D26/28
D861,935 S * 10/2019 Badstuebner D26/28
D863,626 S * 10/2019 Lin D26/28



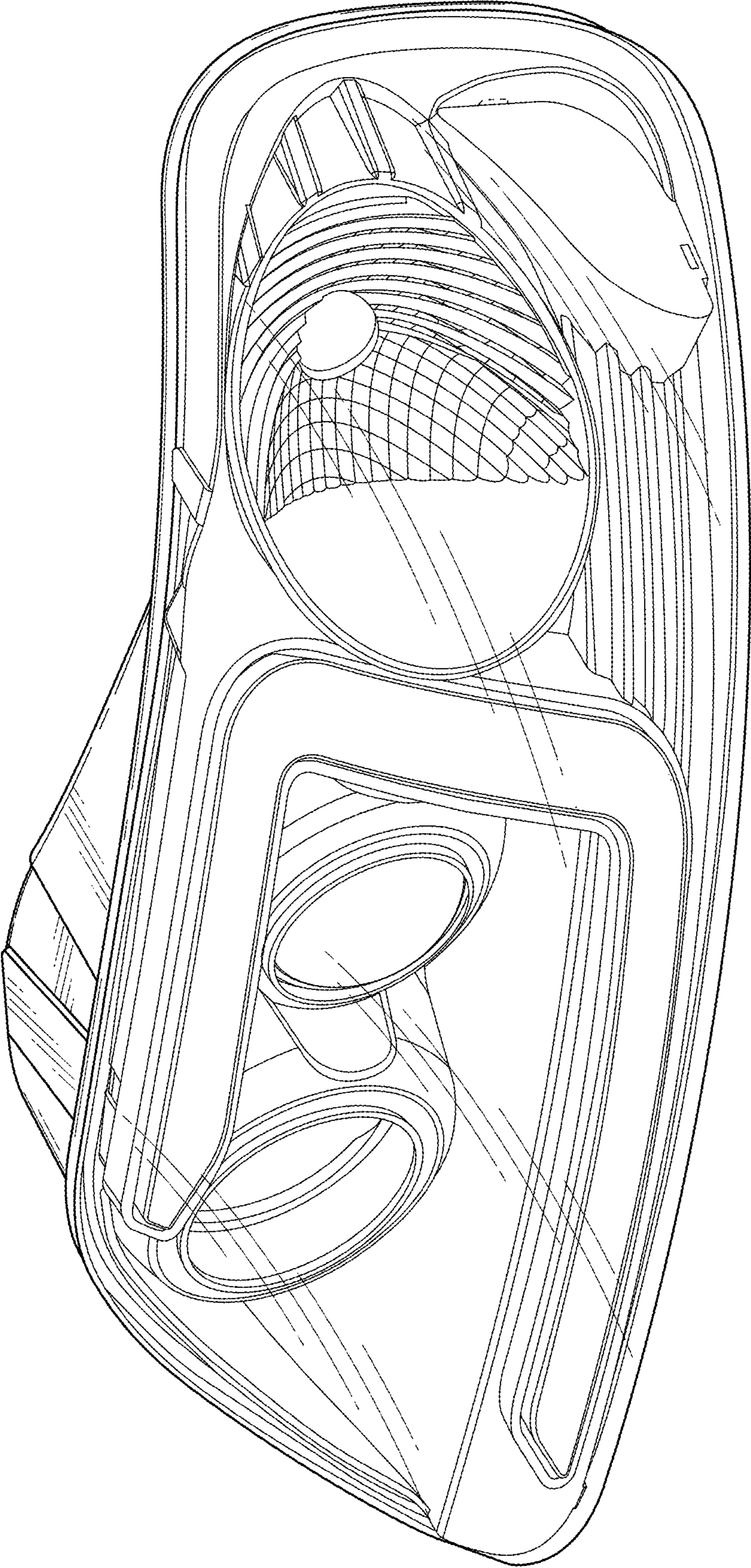


FIG. 1

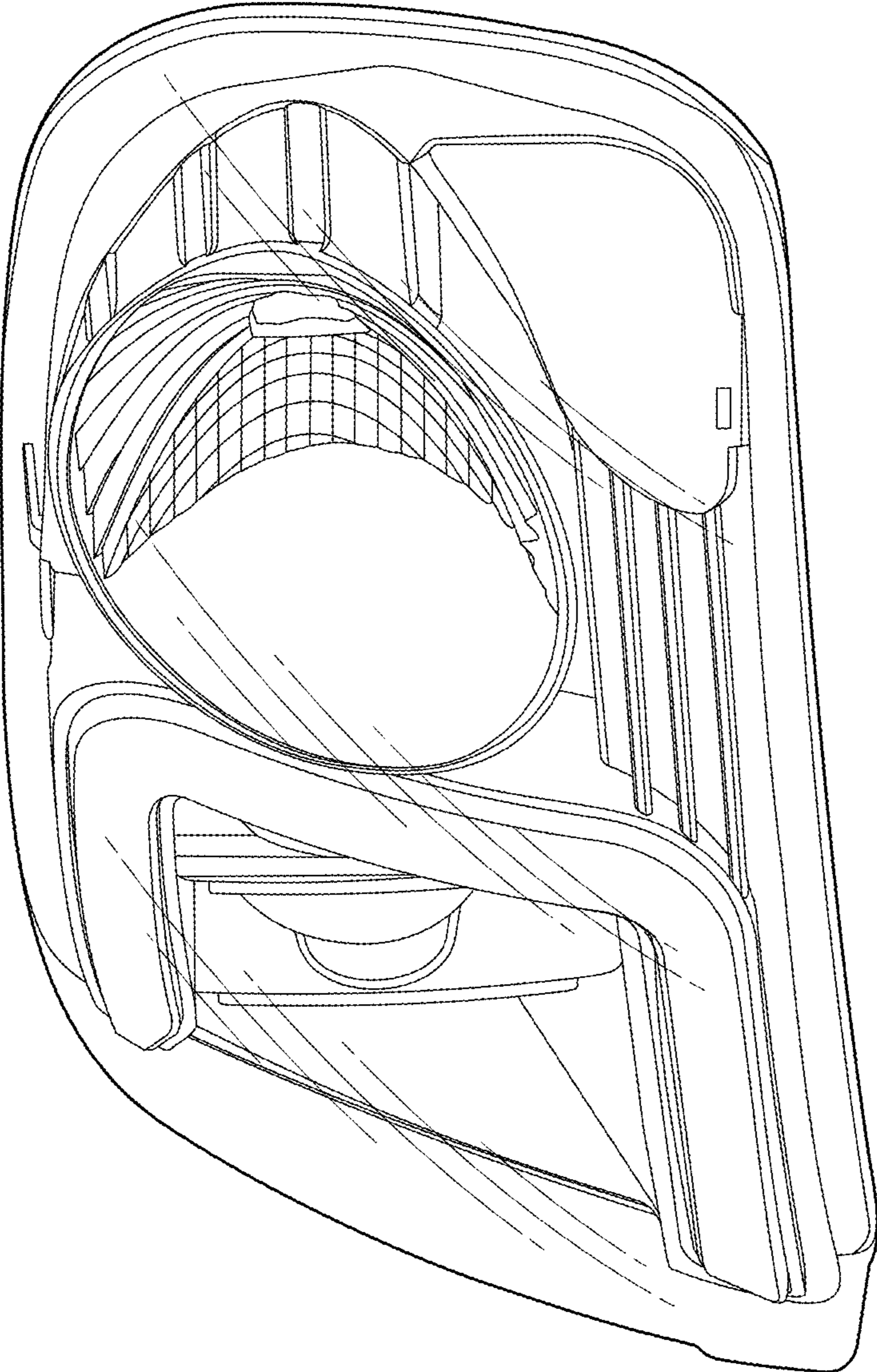


FIG. 2

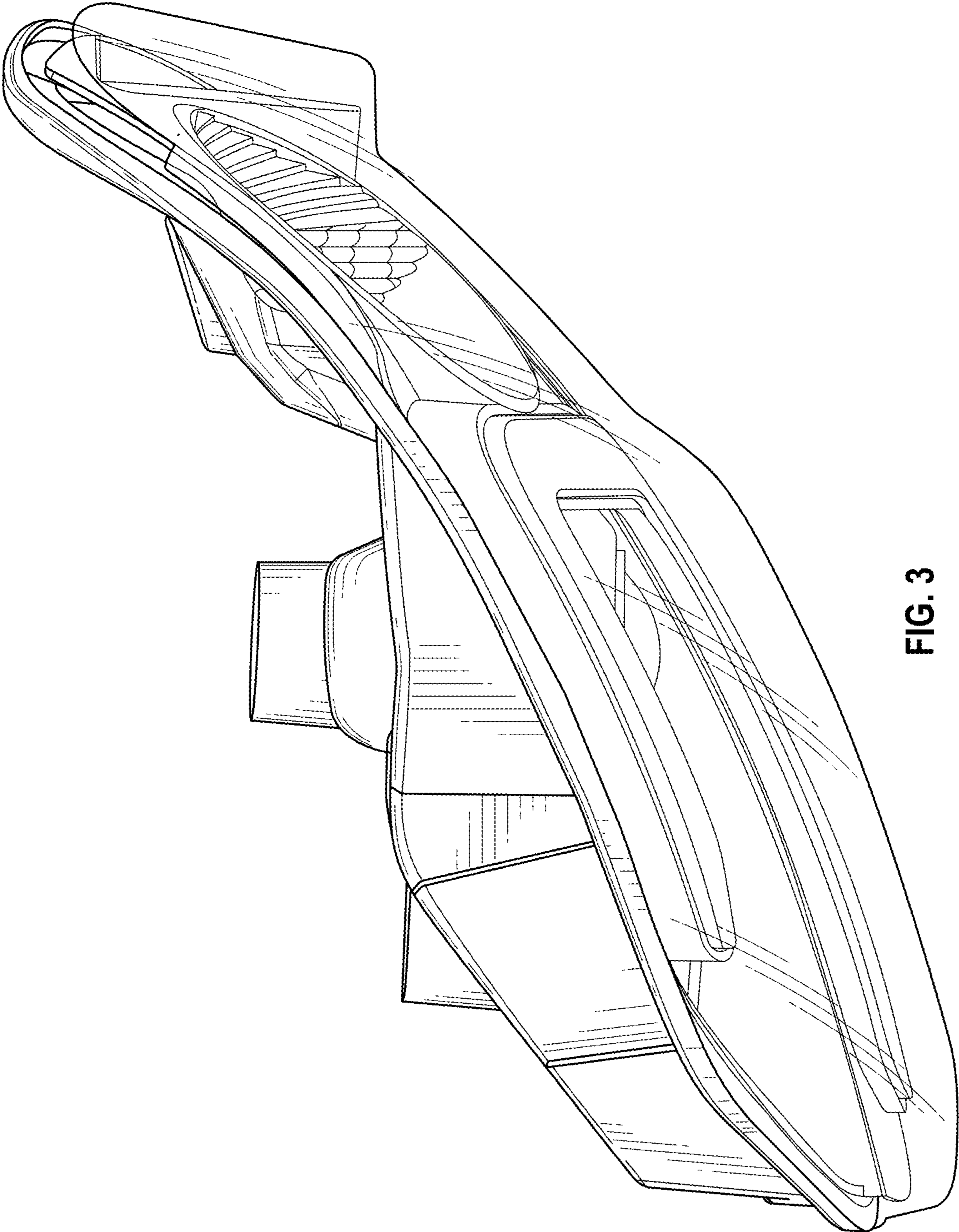


FIG. 3

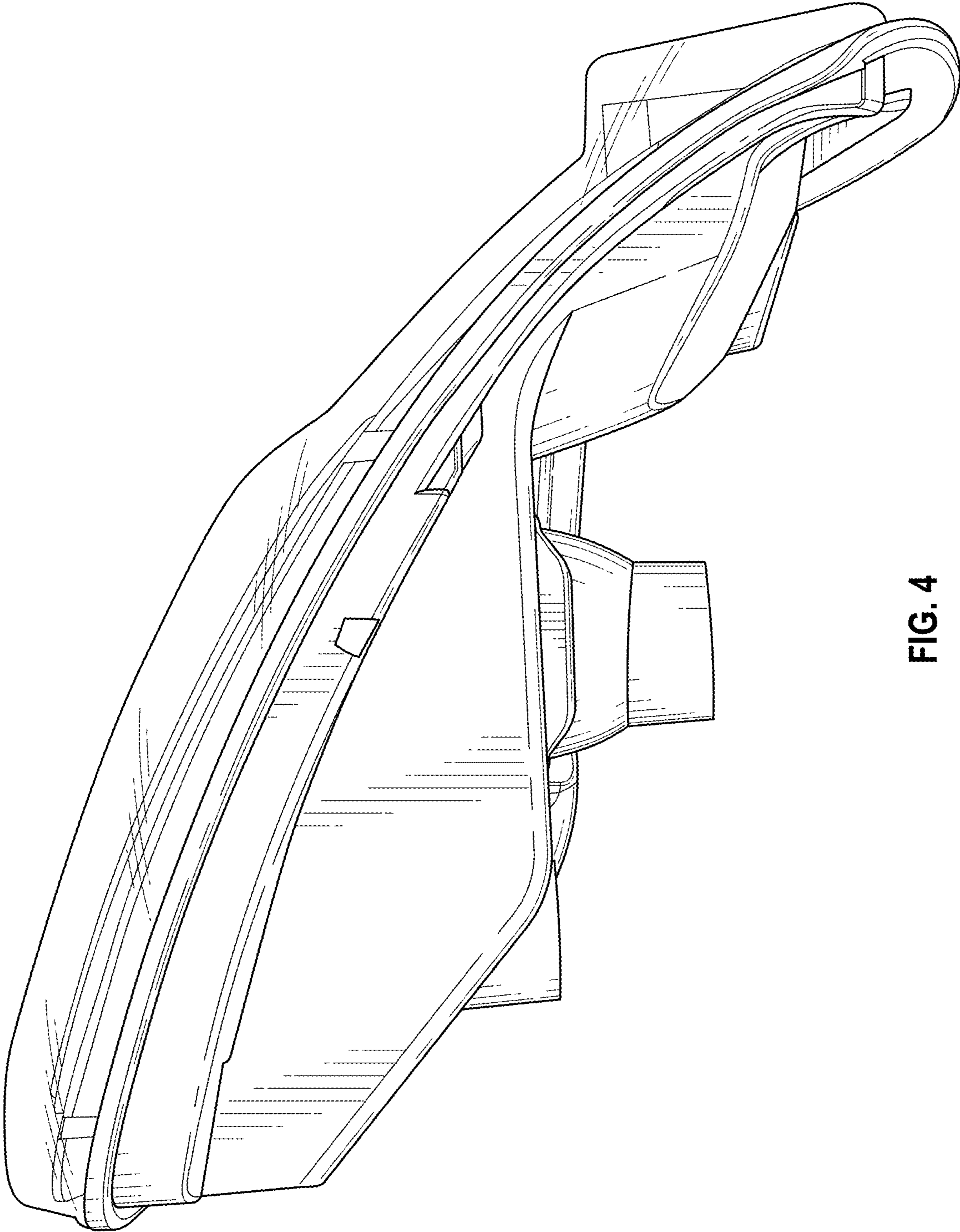


FIG. 4