



US00D967467S

(12) **United States Design Patent** (10) **Patent No.:** **US D967,467 S**
Yu (45) **Date of Patent:** **** Oct. 18, 2022**

(54) **SET OF CHRISTMAS NET LIGHTS**
(71) Applicant: **Shenzhen Haishenghe Trading Co., Ltd.**, Shenzhen (CN)
(72) Inventor: **Shangze Yu**, Shenzhen (CN)
(**) Term: **15 Years**
(21) Appl. No.: **29/780,819**
(22) Filed: **Apr. 27, 2021**
(51) **LOC (13) Cl.** **26-04**
(52) **U.S. Cl.**
USPC **D26/25**
(58) **Field of Classification Search**
USPC D26/2, 4, 25, 43, 75, 86, 87
CPC F21S 4/00; F21S 4/10; F21S 4/15; F21S 4/20; F21S 4/22; F21S 4/24; F21S 4/26; F21S 4/001; F21S 4/002; F21S 4/003; F21S 10/00; F21S 10/02; F21S 10/06; F21W 2131/00; F21W 2131/04; F21W 2131/004; F21V 21/00; F21V 21/08
See application file for complete search history.

(56) **References Cited**

U.S. PATENT DOCUMENTS

D370,984 S * 6/1996 Stencil D26/25
5,775,802 A * 7/1998 Kuo F21S 4/10
362/396

(Continued)

Primary Examiner — Wan Laymon
Assistant Examiner — Clint A Samuel
(74) *Attorney, Agent, or Firm* — Rumit Ranjit Kanakia

(57) **CLAIM**

The ornamental design for a set of Christmas net lights, as shown and described.

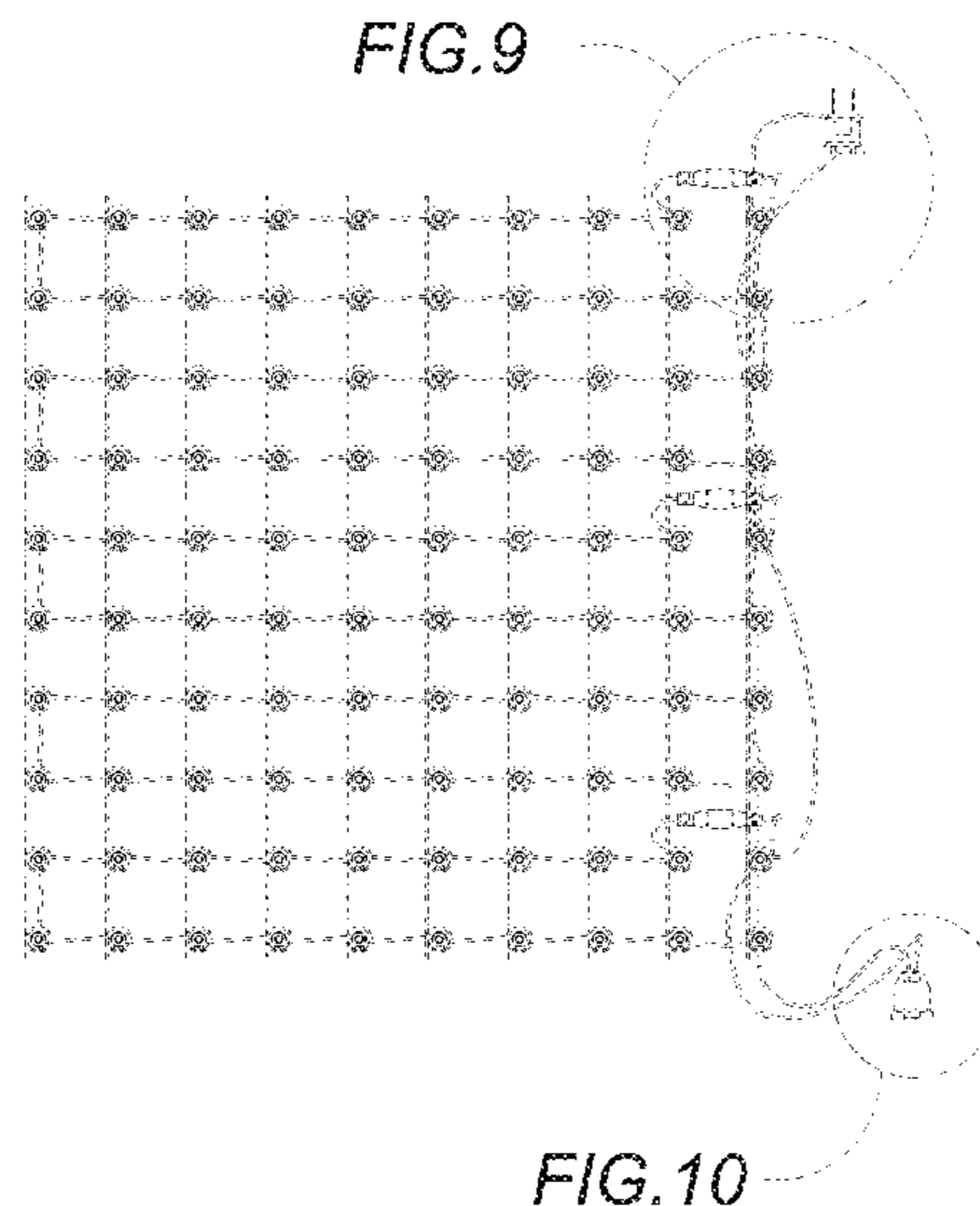
DESCRIPTION

FIG. 1 is a front elevational view of a set of Christmas net lights showing my new design;

FIG. 2 is a rear elevational view thereof;
FIG. 3 is a left side view thereof;
FIG. 4 is a right side view thereof;
FIG. 5 is a top plan view thereof;
FIG. 6 is a bottom plan view thereof;
FIG. 7 is a perspective view of a set of Christmas net lights showing my new design;
FIG. 8 is another perspective view thereof;
FIG. 9 is a partial enlarged view of FIG. 1 showing the plug;
FIG. 10 is another partial enlarged view of FIG. 1 showing the plug;
FIG. 11 is a partial enlarged view of FIG. 2 showing the plug;
FIG. 12 is another partial enlarged view of FIG. 2 showing the plug;
FIG. 13 is a partial enlarged view of FIG. 3 showing the plug;
FIG. 14 is another partial enlarged view of FIG. 3 showing the plug;
FIG. 15 is a partial enlarged view of FIG. 4 showing the plug;
FIG. 16 is another partial enlarged view of FIG. 4 showing the plug;
FIG. 17 is a partial enlarged view of FIG. 5 showing the plugs;
FIG. 18 is a partial enlarged view of FIG. 6 showing the plugs;
FIG. 19 is a partial enlarged view of FIG. 7 showing the plug;
FIG. 20 is another partial enlarged view of FIG. 7 showing the plug;
FIG. 21 is a partial enlarged view of FIG. 8 showing the plug; and,
FIG. 22 is another partial enlarged view of FIG. 8 showing the plug.

The broken lines in the figures are for the purposes of illustrating portions of the set of Christmas net lights, which form no part of the claimed design.

1 Claim, 22 Drawing Sheets



(56)

References Cited

U.S. PATENT DOCUMENTS

D412,998	S	*	8/1999	Mount	D11/117
6,149,284	A	*	11/2000	Wang	F21S 4/10
						362/249.15
6,217,193	B1	*	4/2001	Won	F21S 4/10
						362/249.16
D477,426	S	*	7/2003	Koval	D26/25
D603,535	S		11/2009	Sterijevski		
D690,038	S	*	9/2013	Colbert, Jr.	D26/25
D822,861	S	*	7/2018	Luo	D26/25
D875,973	S	*	2/2020	Zhou	D26/25
D910,889	S		2/2021	Zhou		
D910,890	S		2/2021	Yang		
D914,253	S		3/2021	Kuang		
D914,927	S		3/2021	Liu		
D915,642	S		4/2021	Anderson		
D915,643	S		4/2021	Liang		
D916,333	S		4/2021	Liang		
D917,082	S		4/2021	Zhou		
D917,083	S		4/2021	Zhou		
D938,073	S	*	12/2021	Ruan	D26/25
D951,496	S	*	5/2022	Xiao	D26/25
D952,196	S	*	5/2022	Xu	D26/25
2004/0136191	A1	*	7/2004	Bluford	F21S 4/10
						362/249.19
2008/0310163	A1	*	12/2008	Li	F21V 19/0005
						362/249.12
2019/0113188	A1	*	4/2019	Miller	F21V 21/08

* cited by examiner

FIG. 9

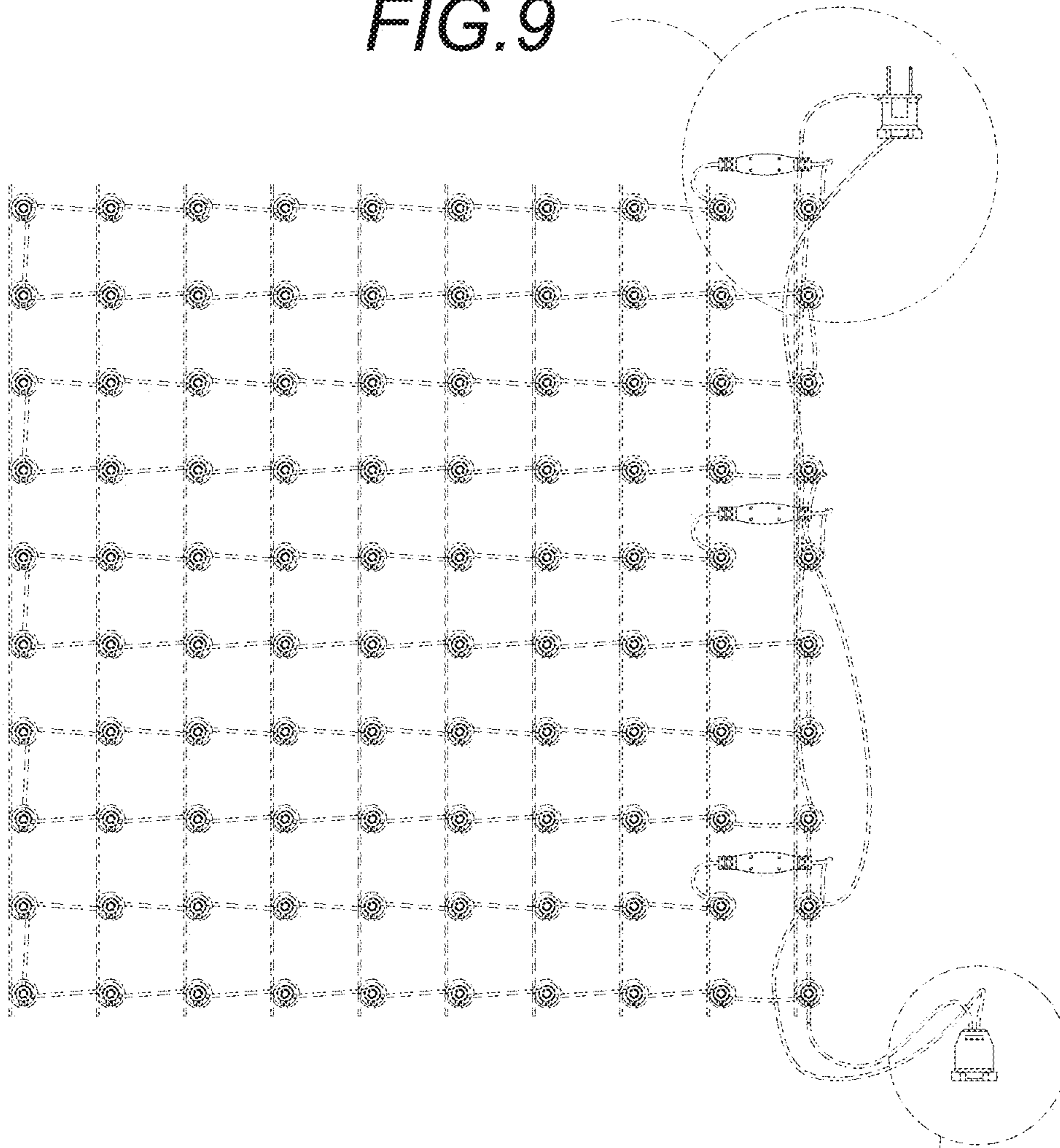


FIG. 10

FIG. 1

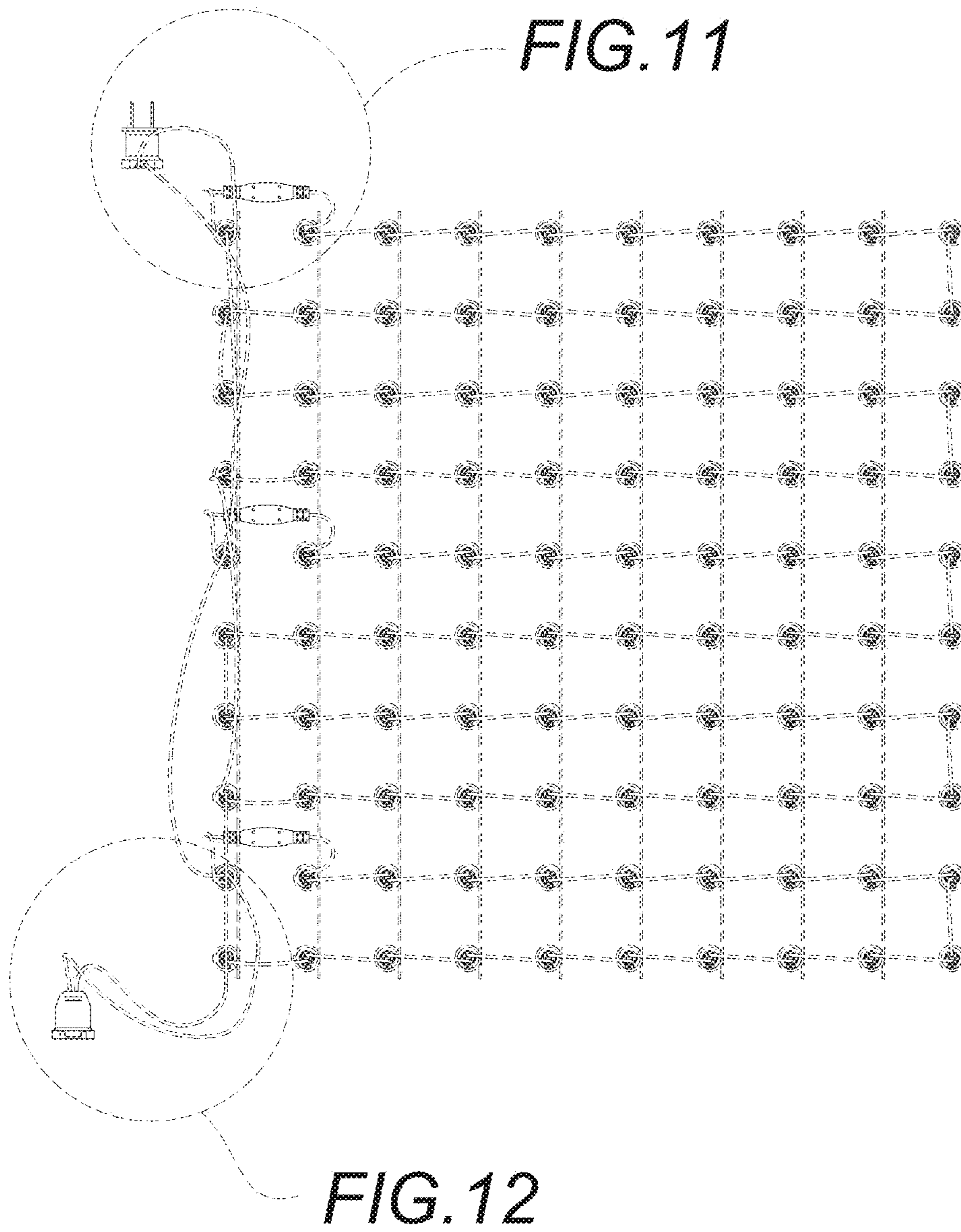


FIG. 2

FIG. 13

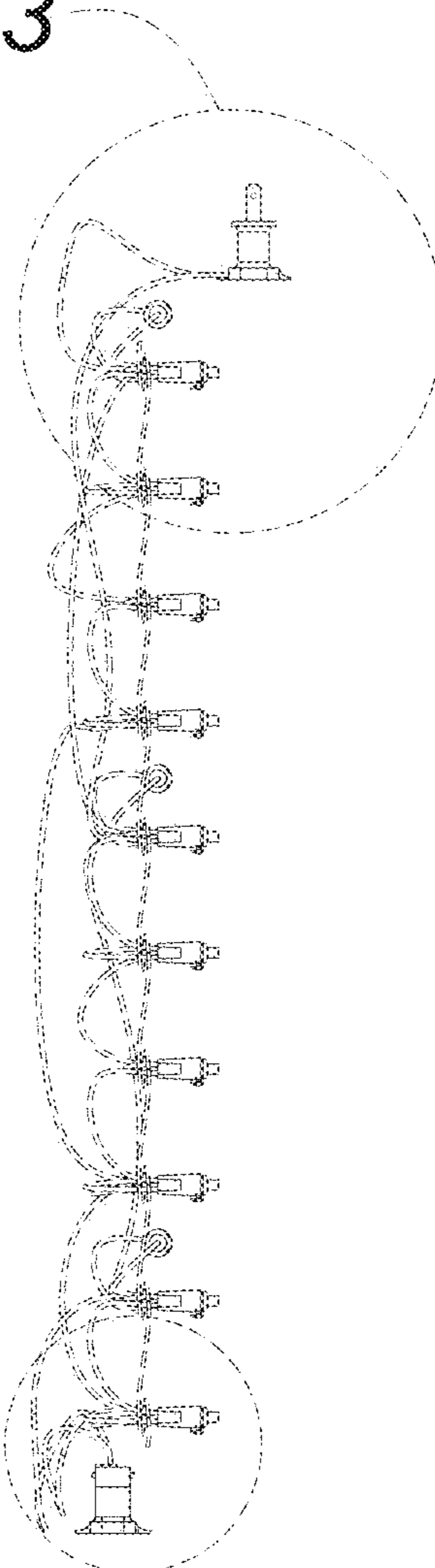


FIG. 14

FIG. 3

FIG. 15

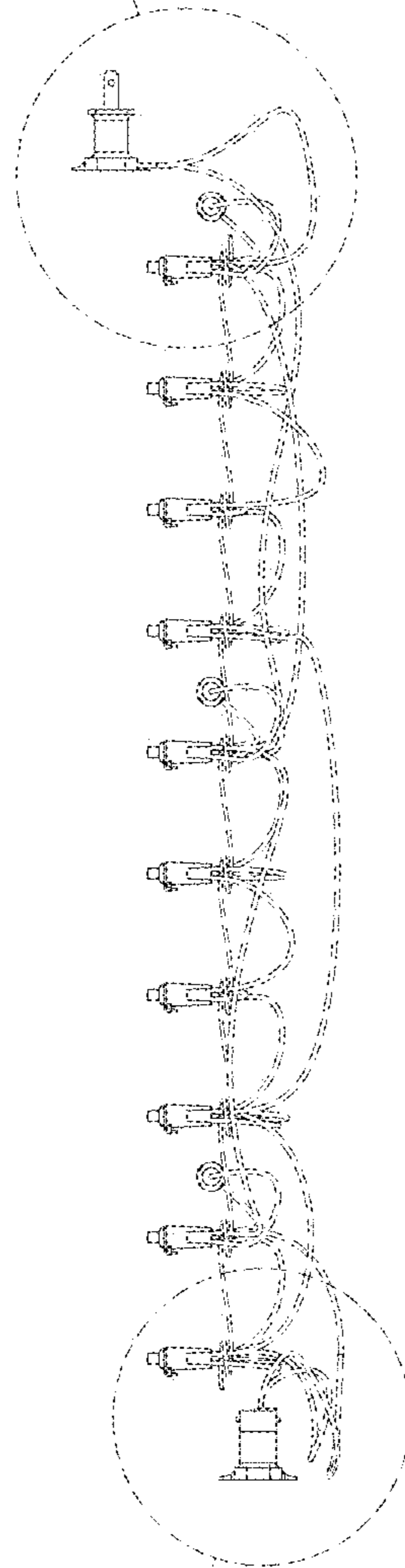


FIG. 16

FIG. 4

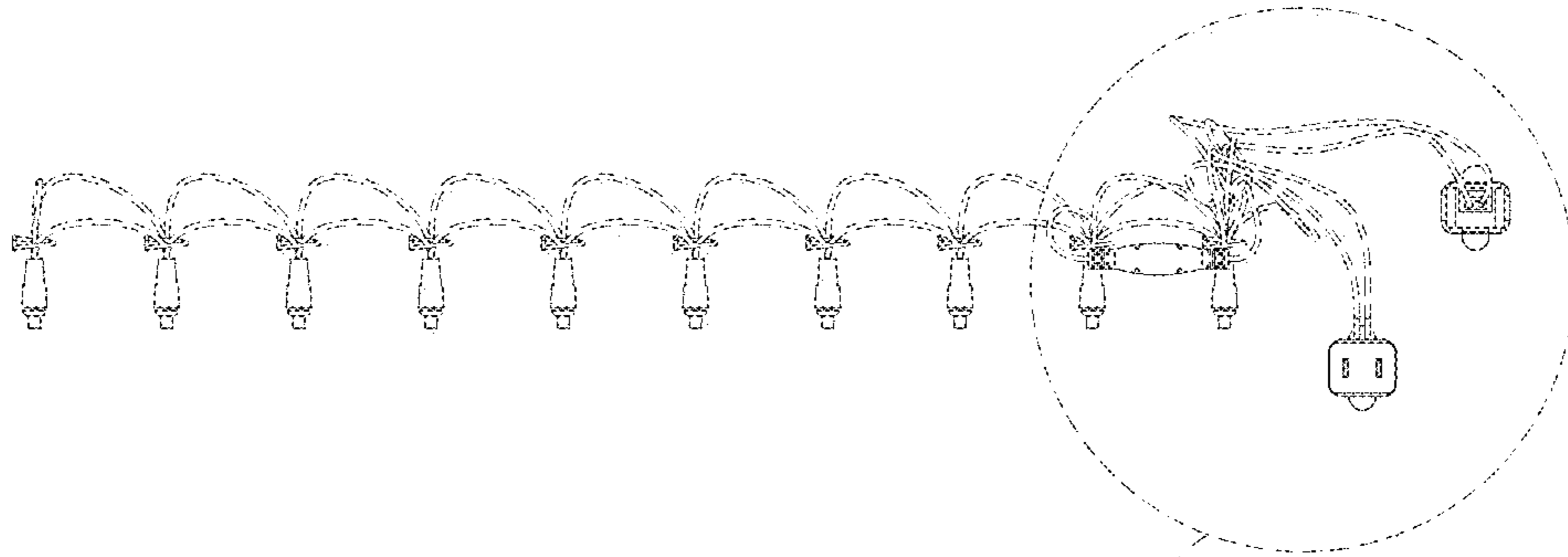


FIG. 17

FIG. 5

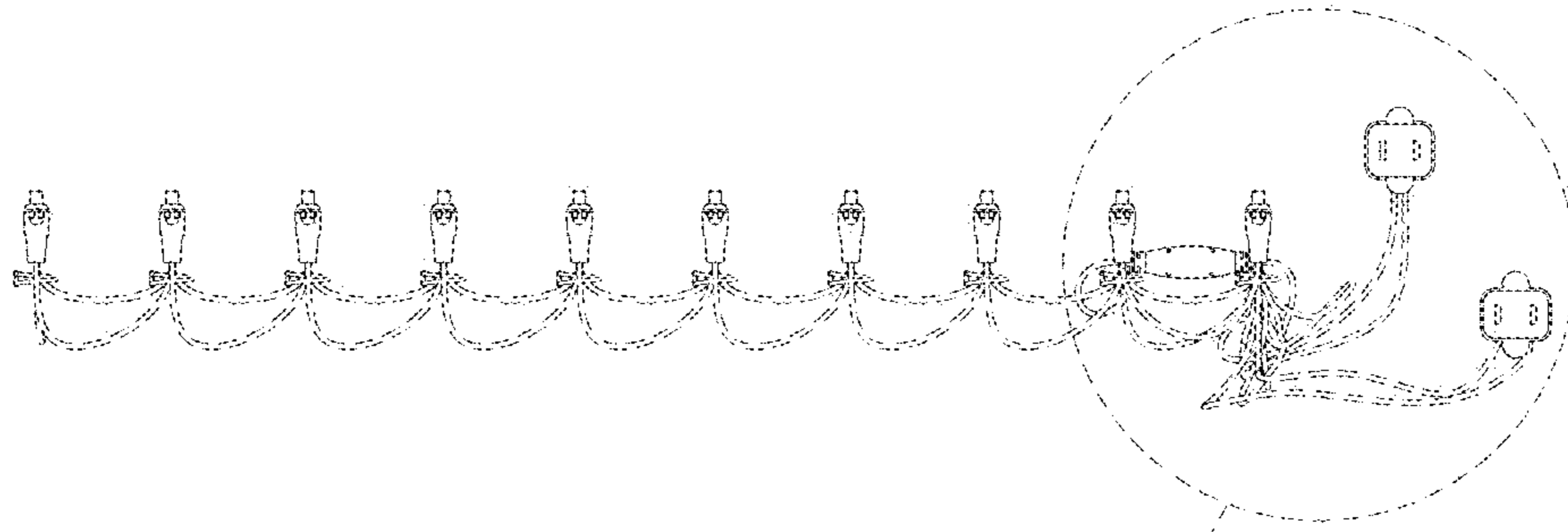


FIG. 18

FIG. 6

FIG. 19

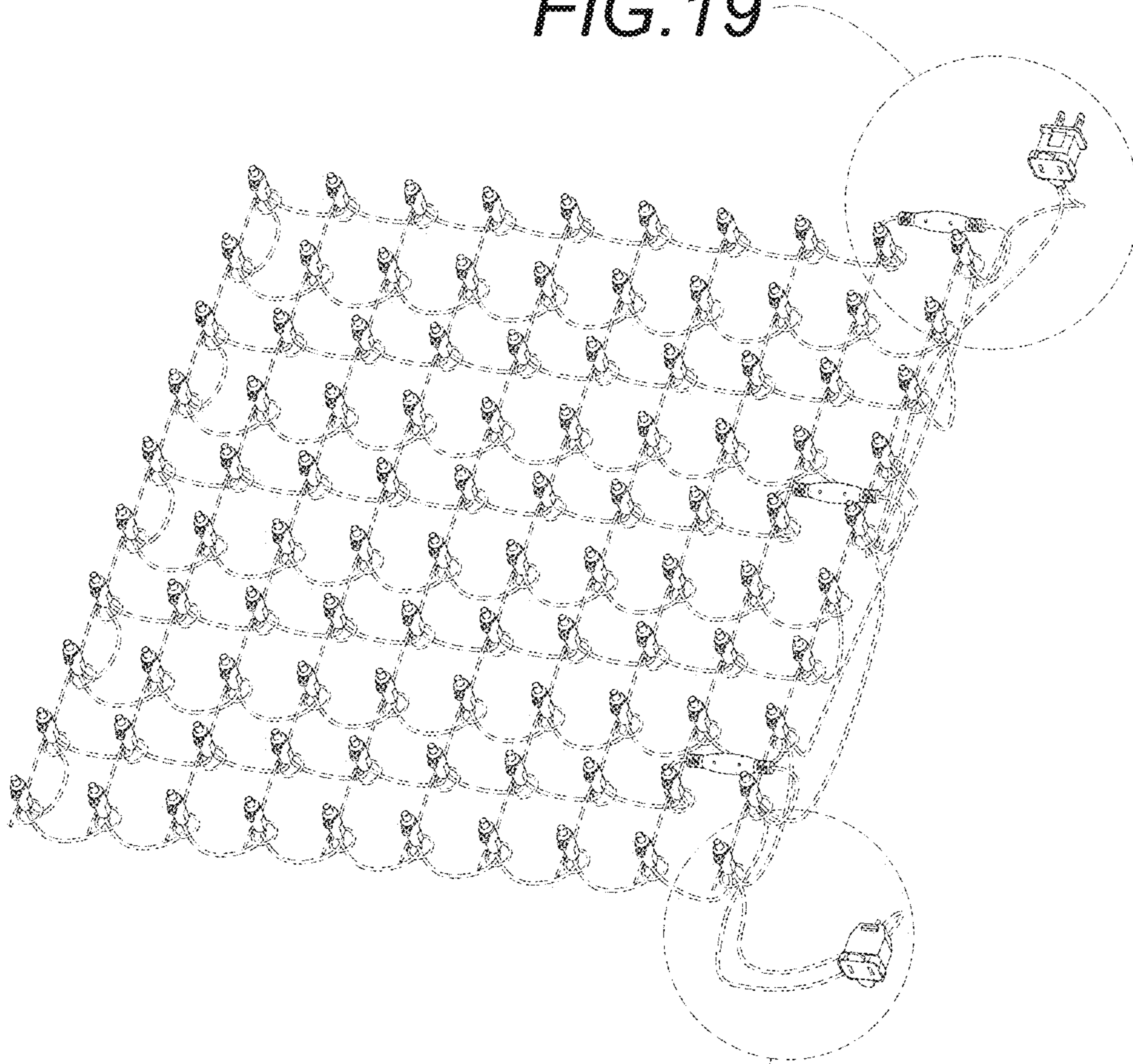


FIG. 20

FIG. 7

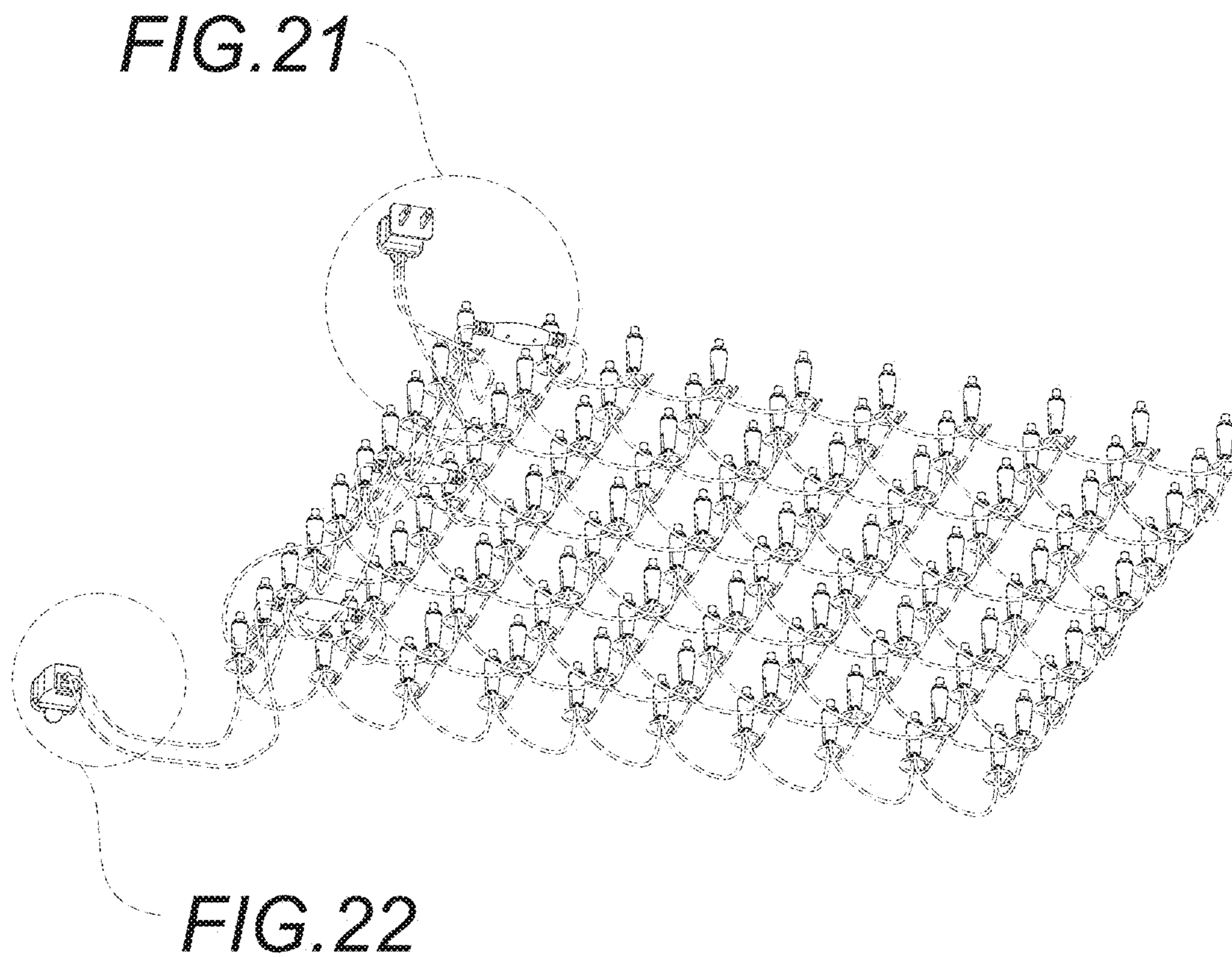


FIG. 8

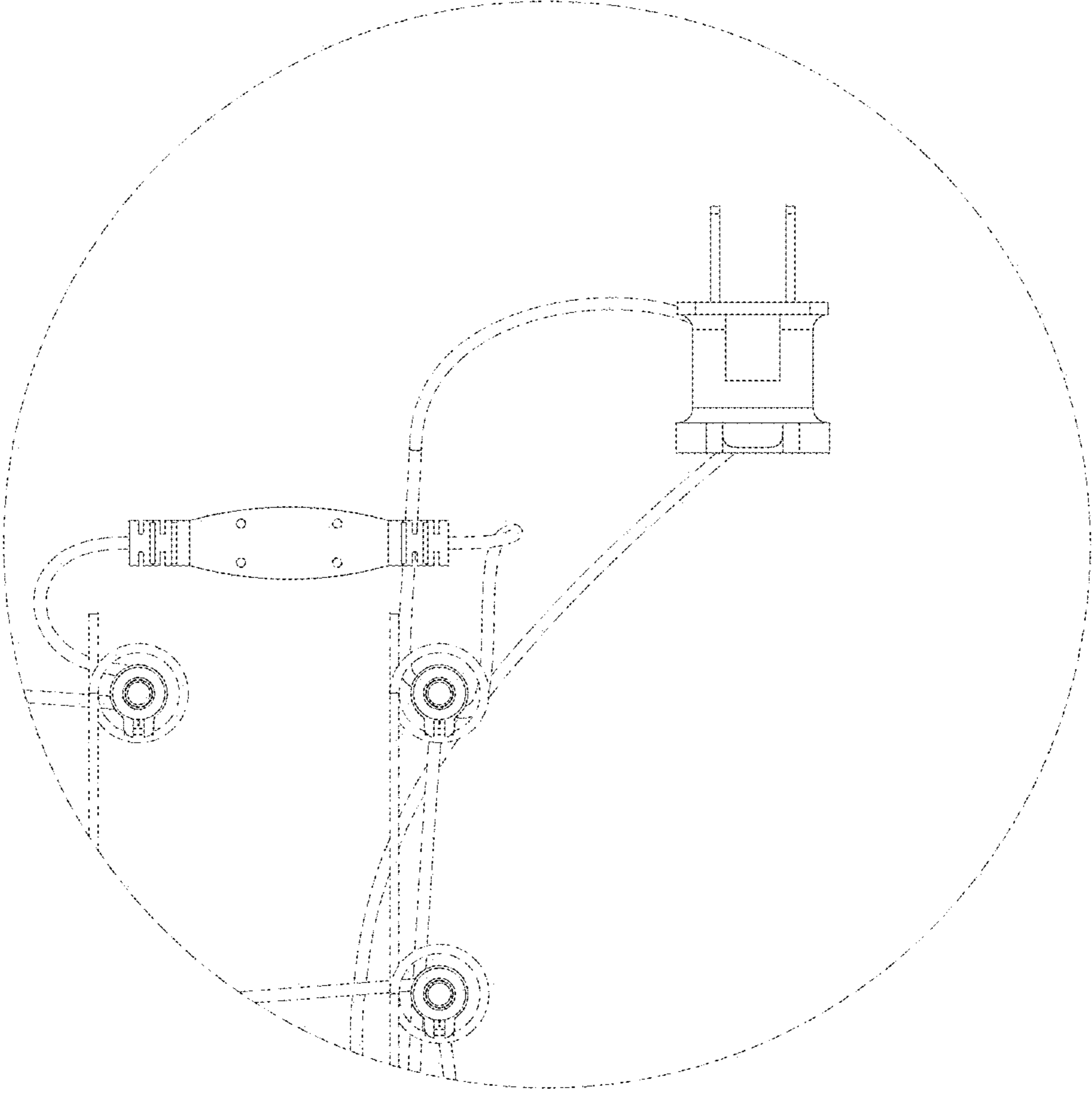


FIG. 9

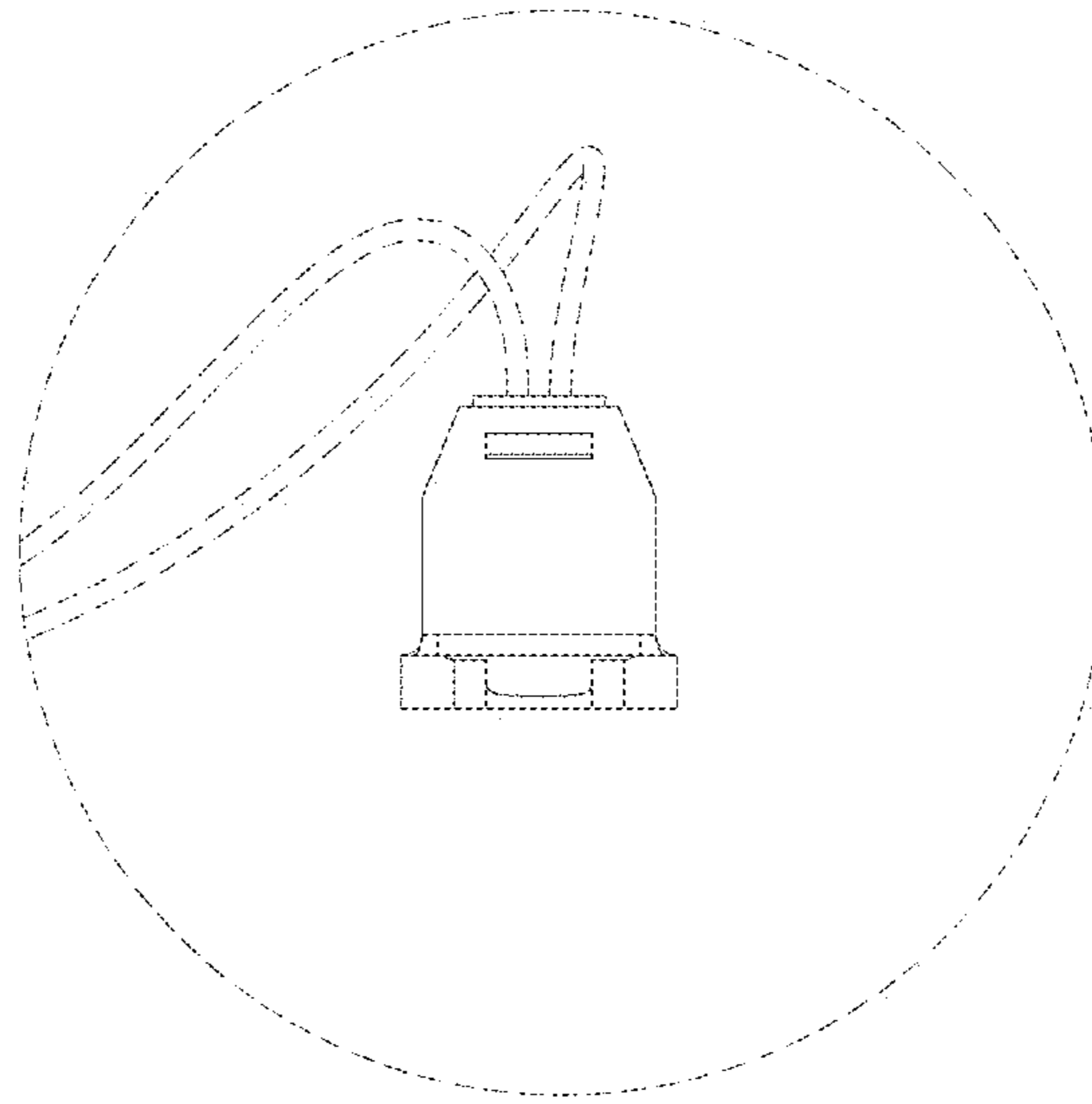


FIG. 10

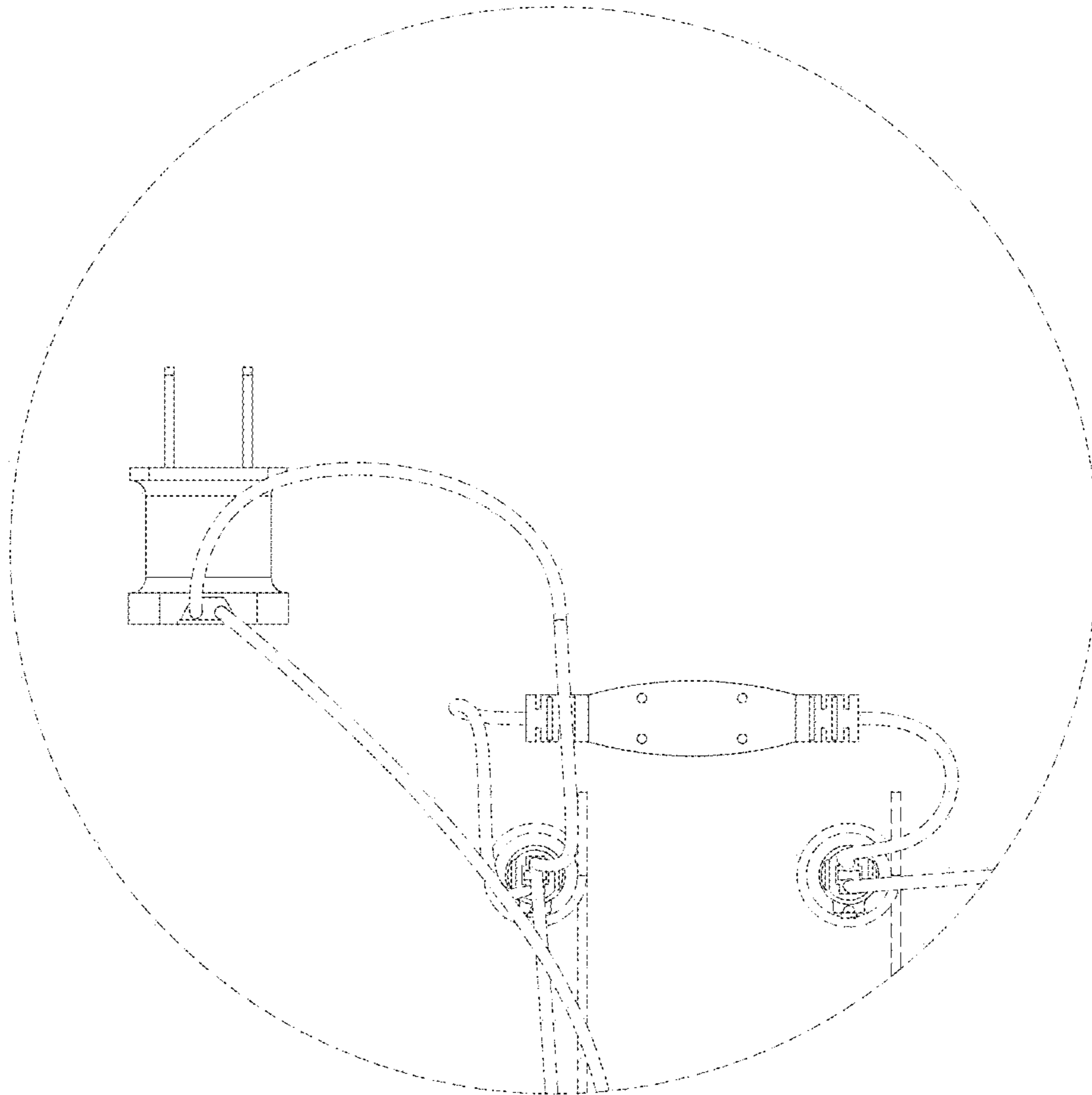


FIG. 11

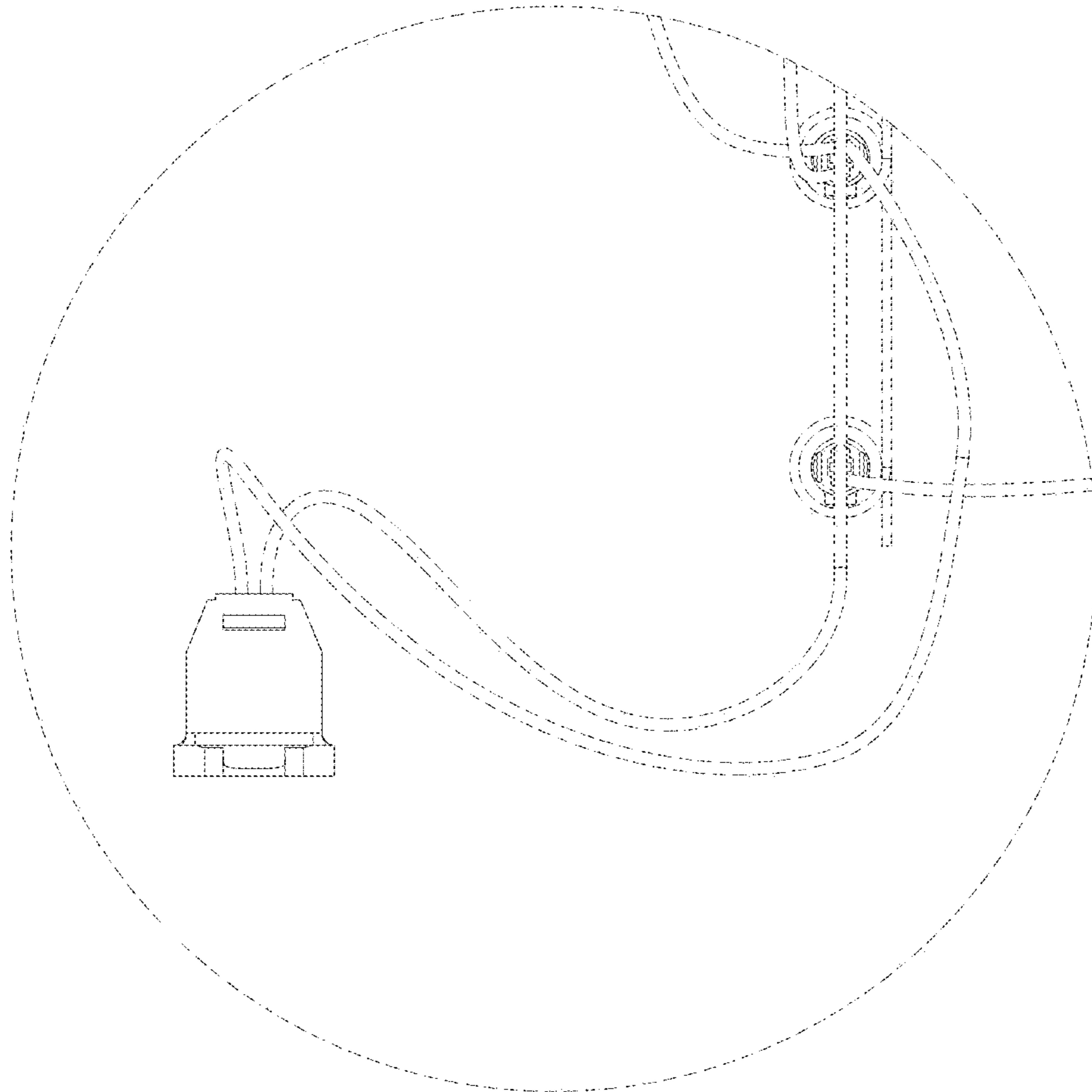


FIG. 12

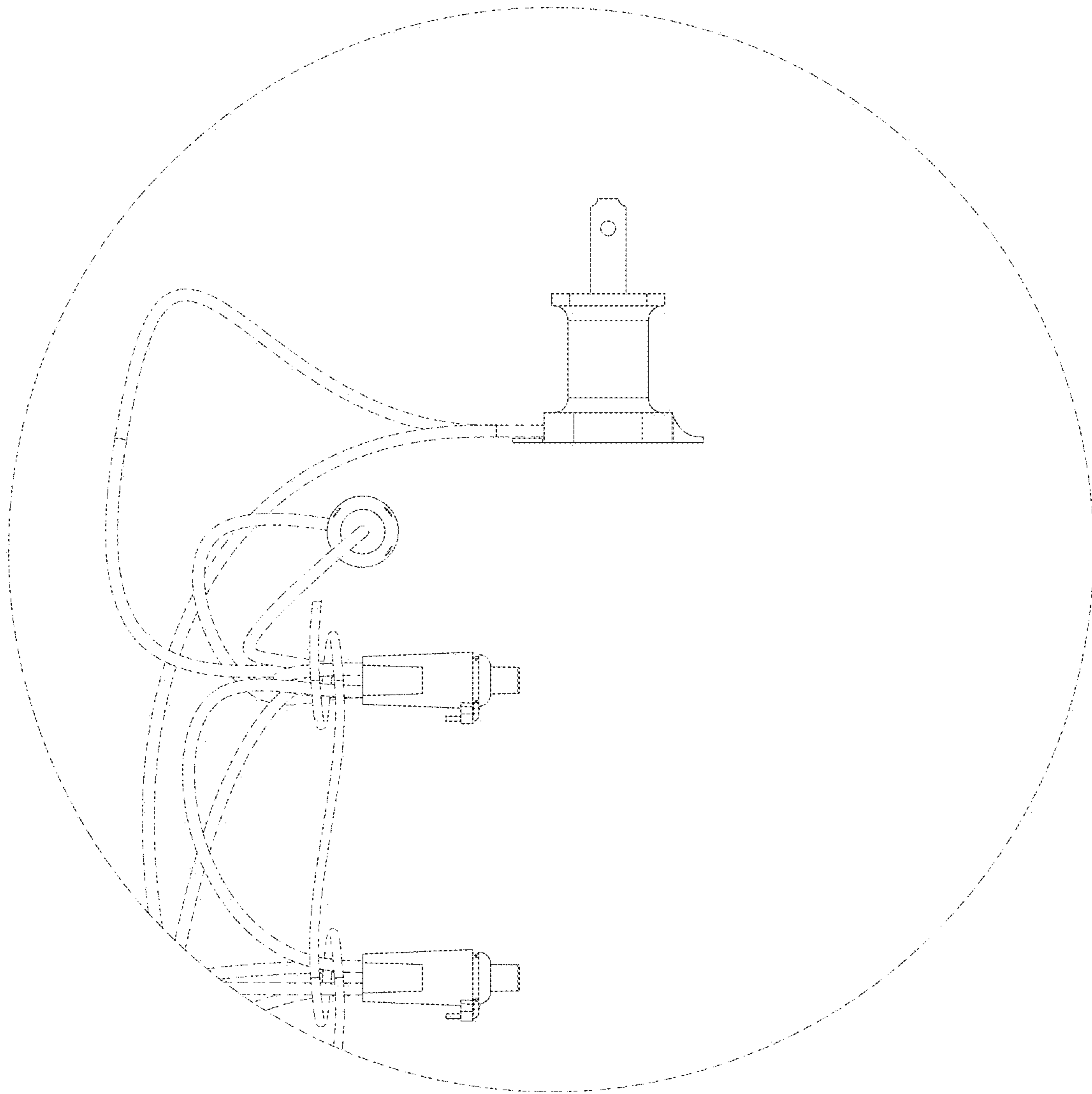


FIG. 13

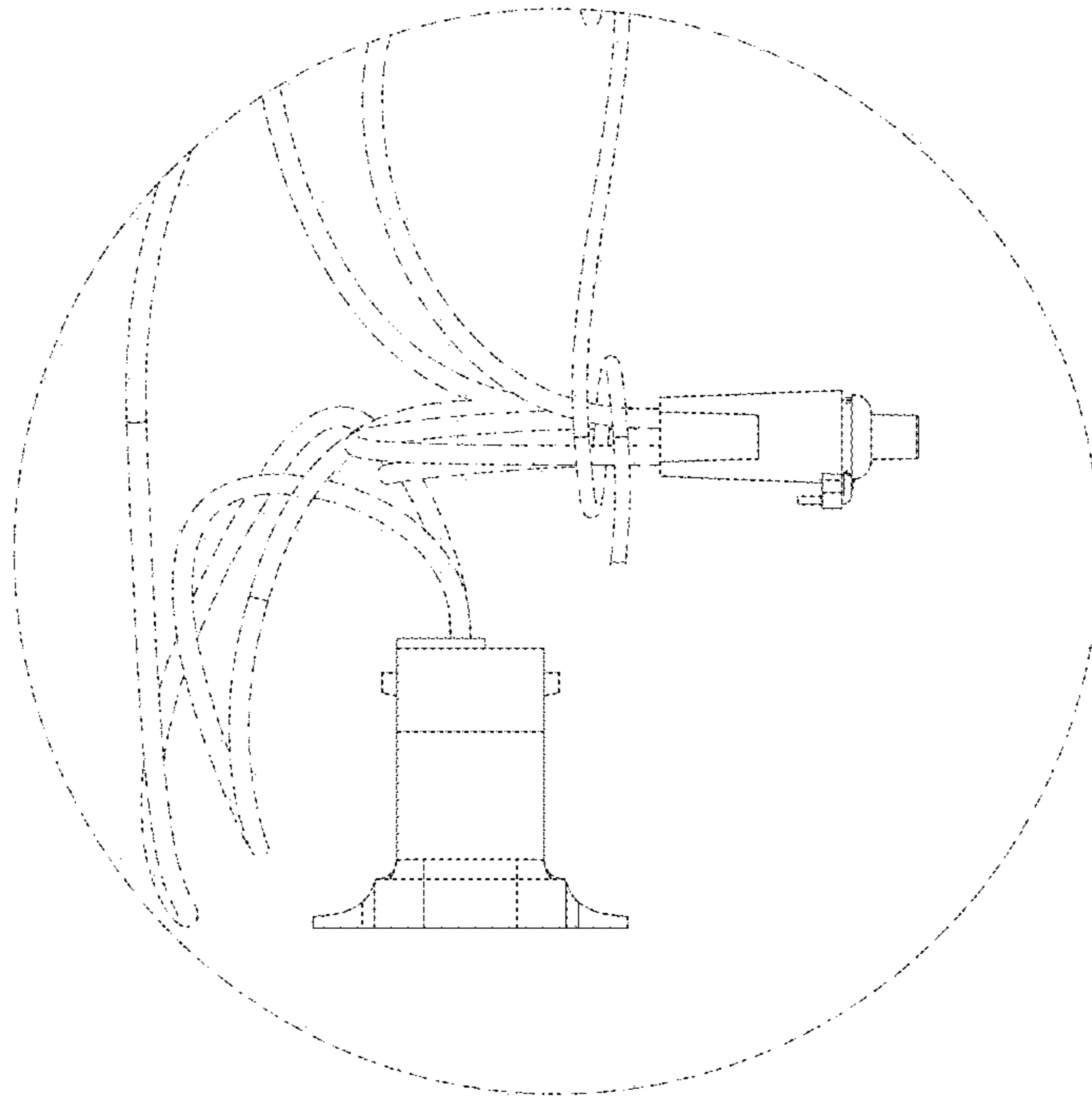


FIG. 14

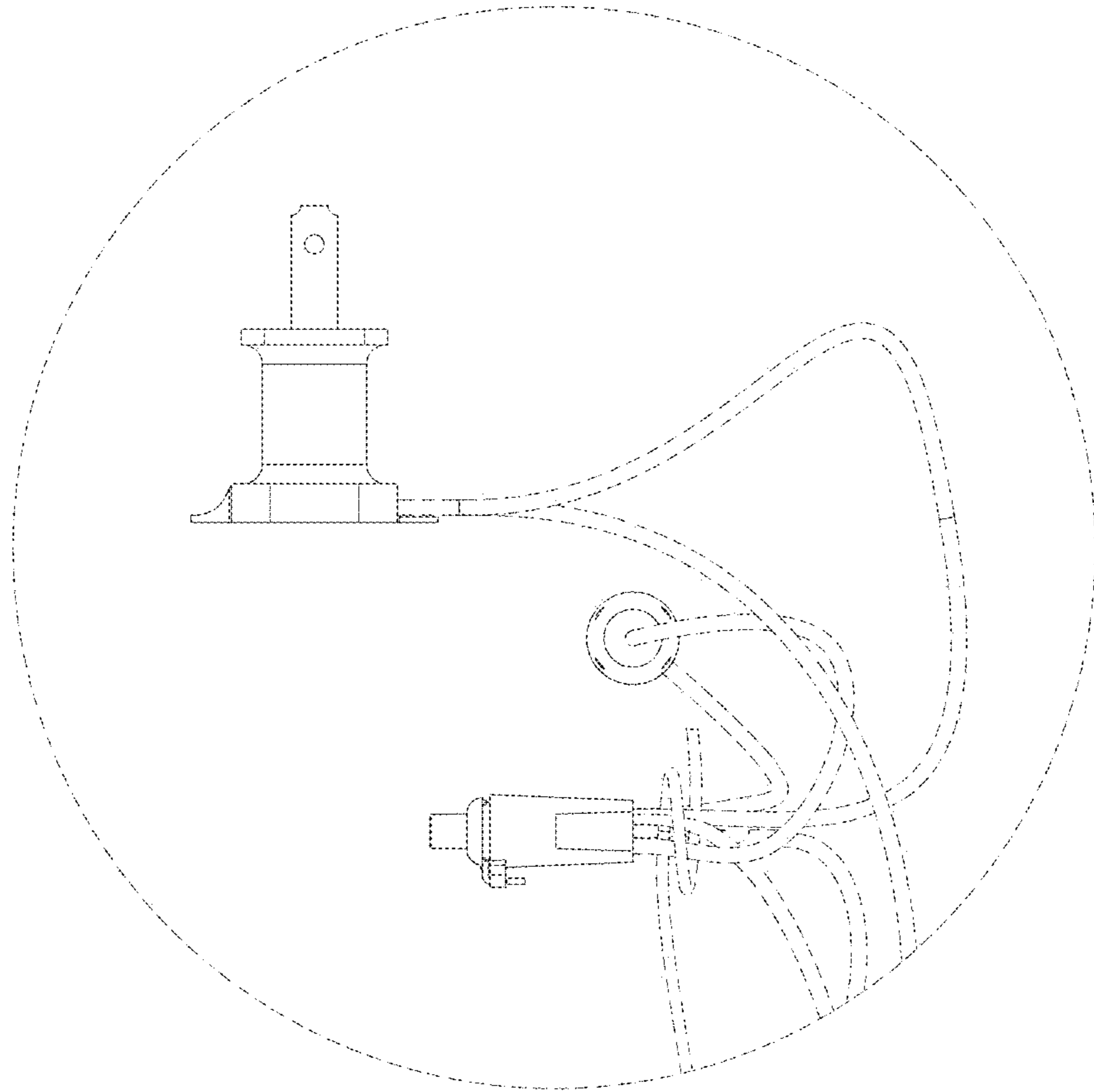


FIG. 15

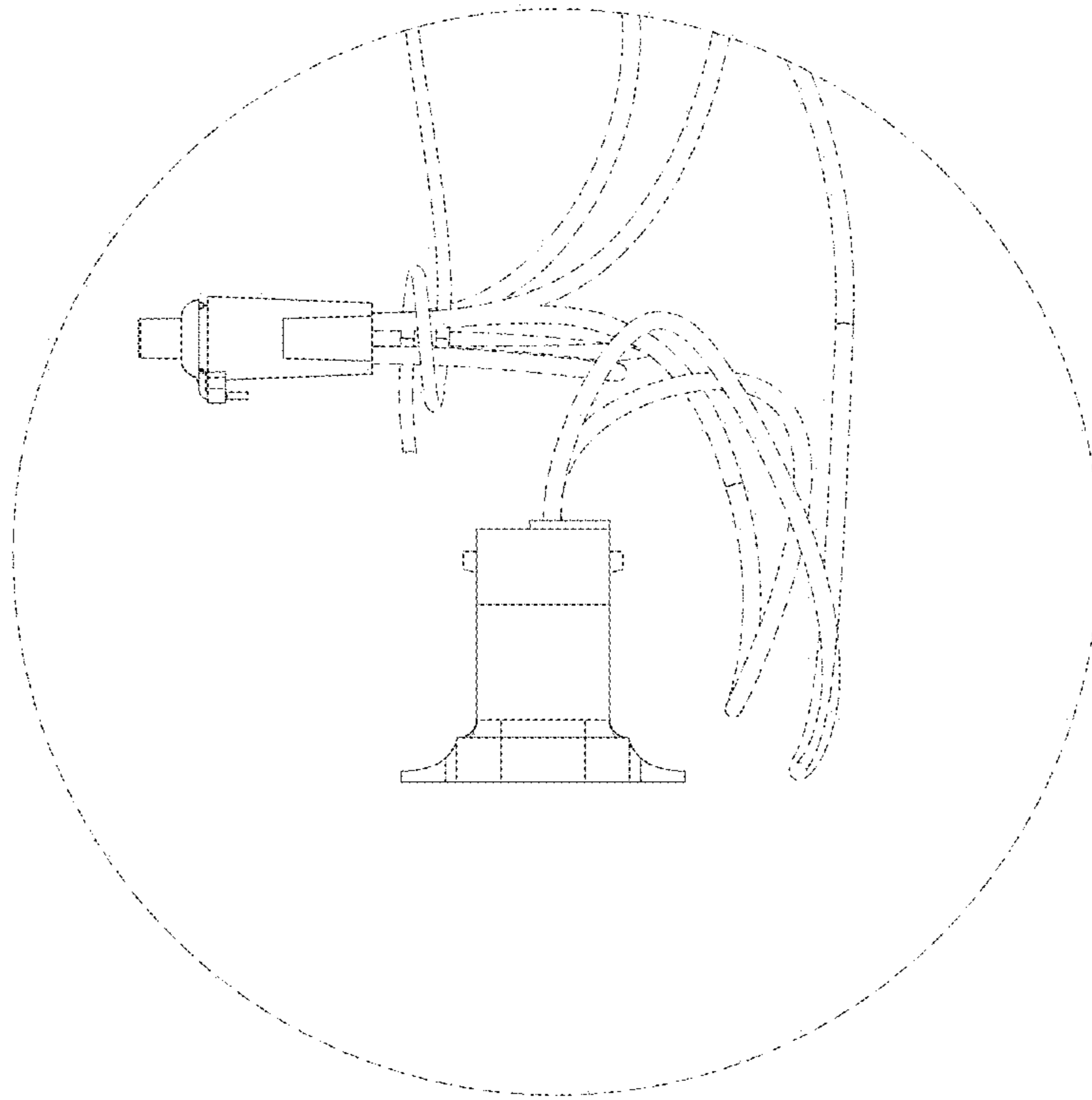


FIG. 16

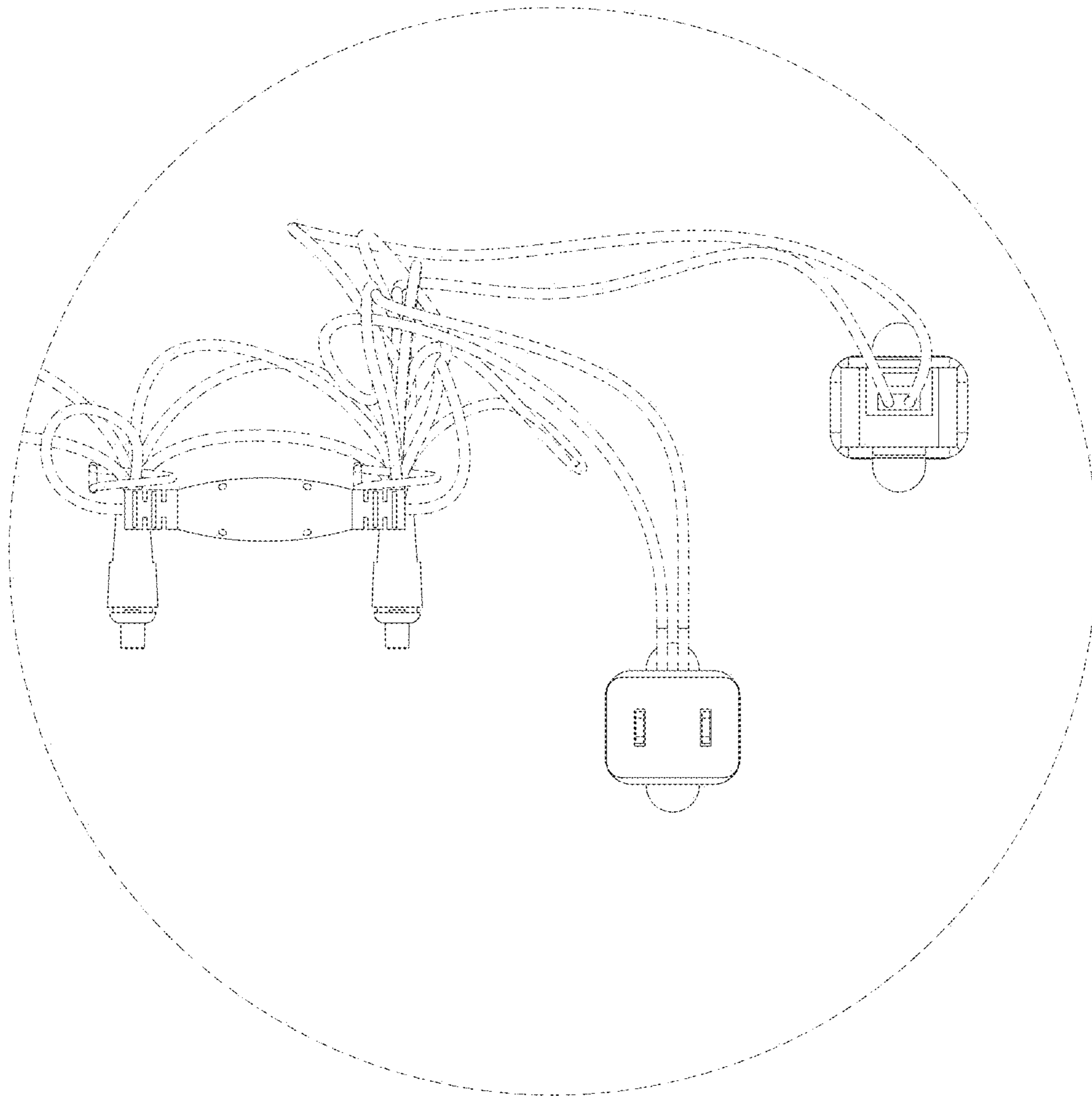


FIG. 17

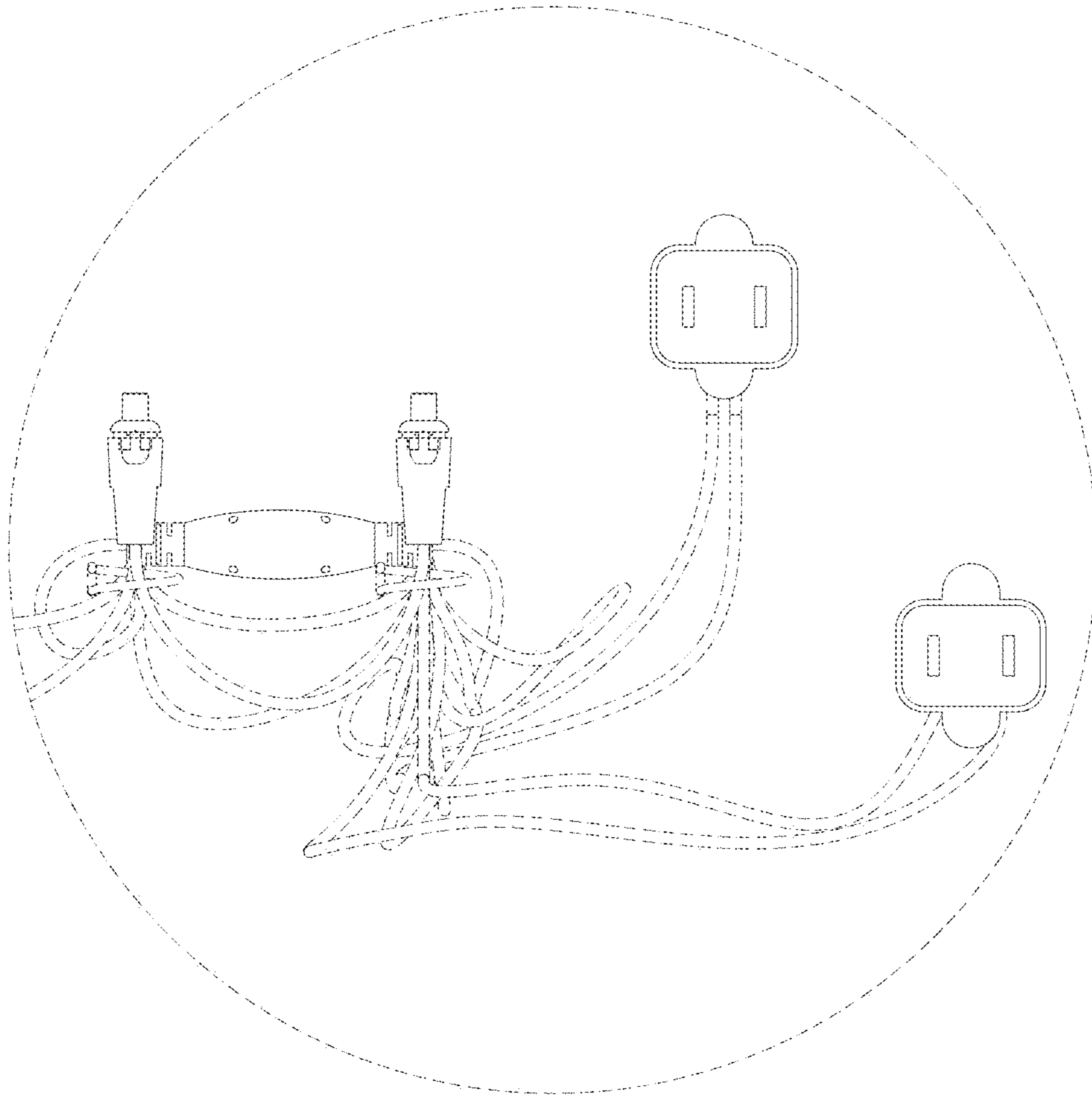


FIG. 18

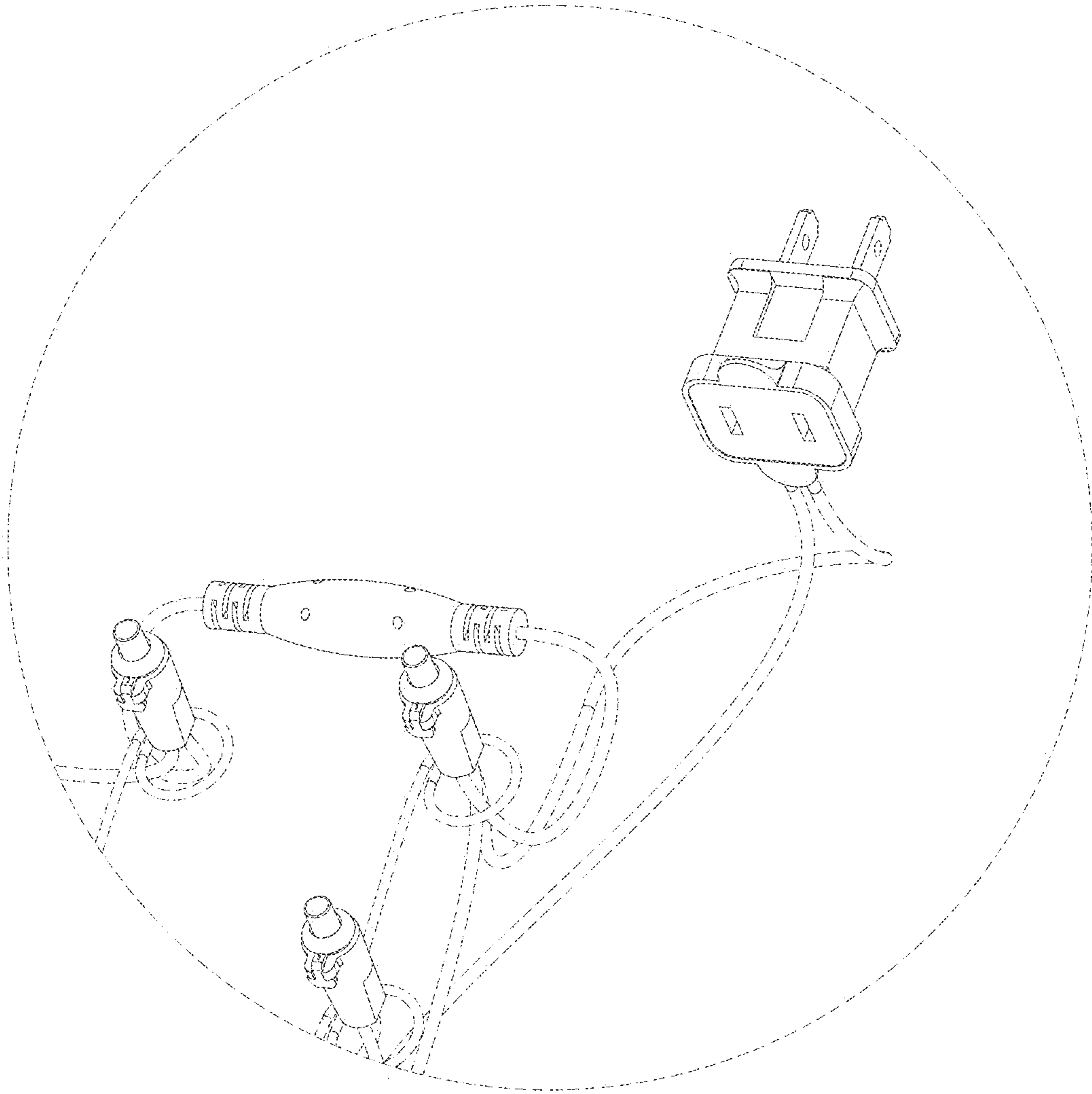


FIG. 19

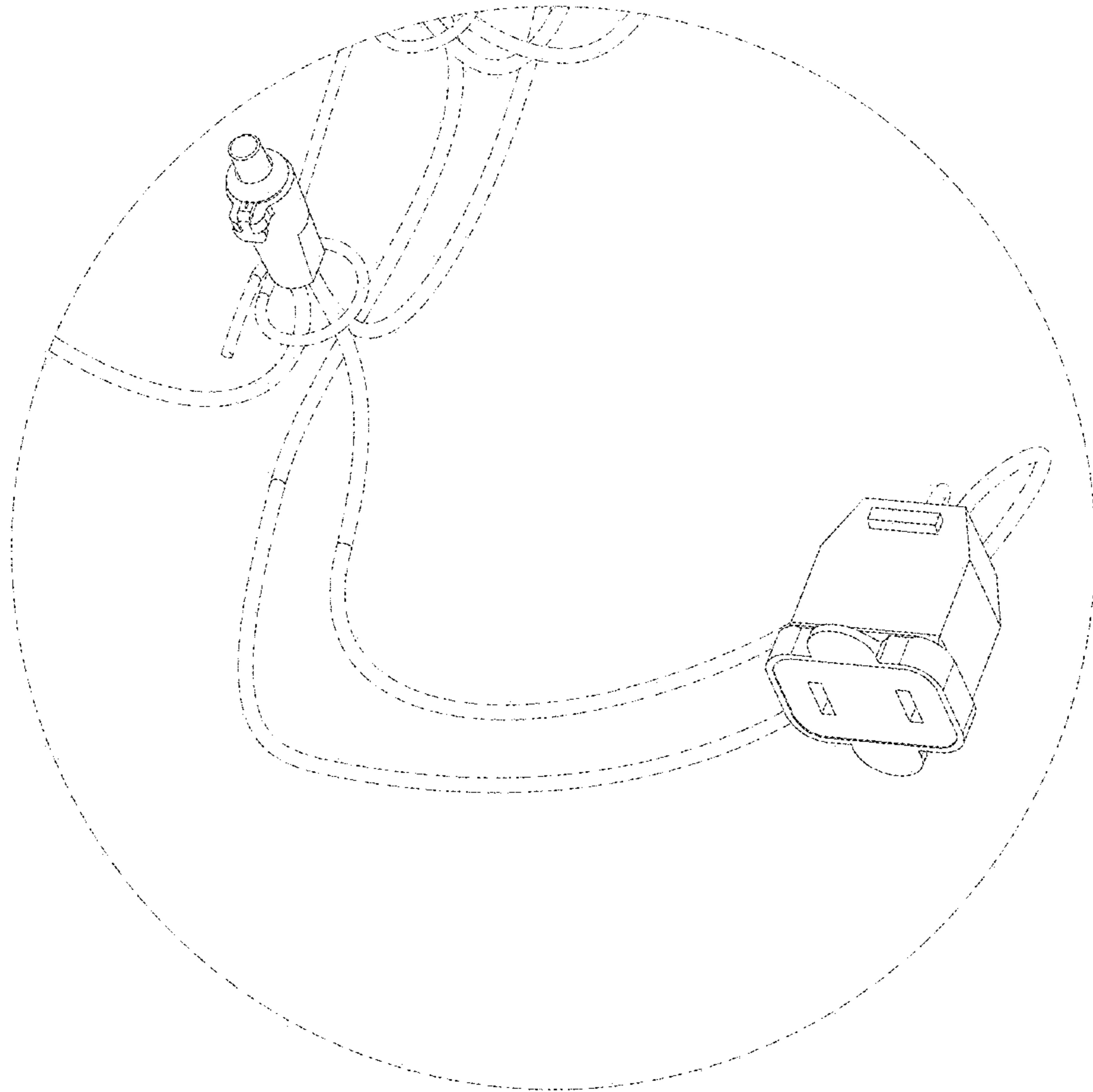


FIG. 20

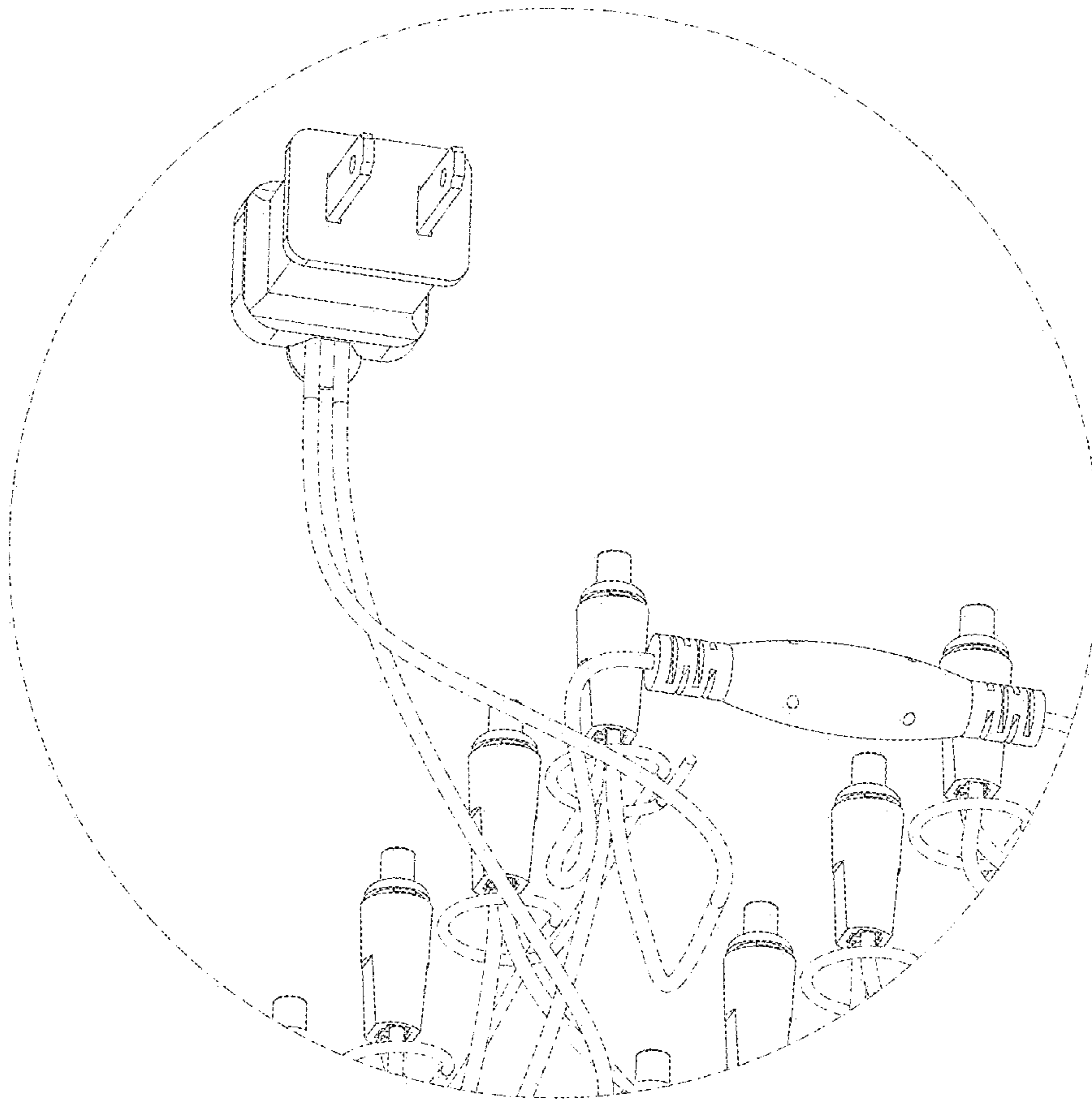


FIG. 21

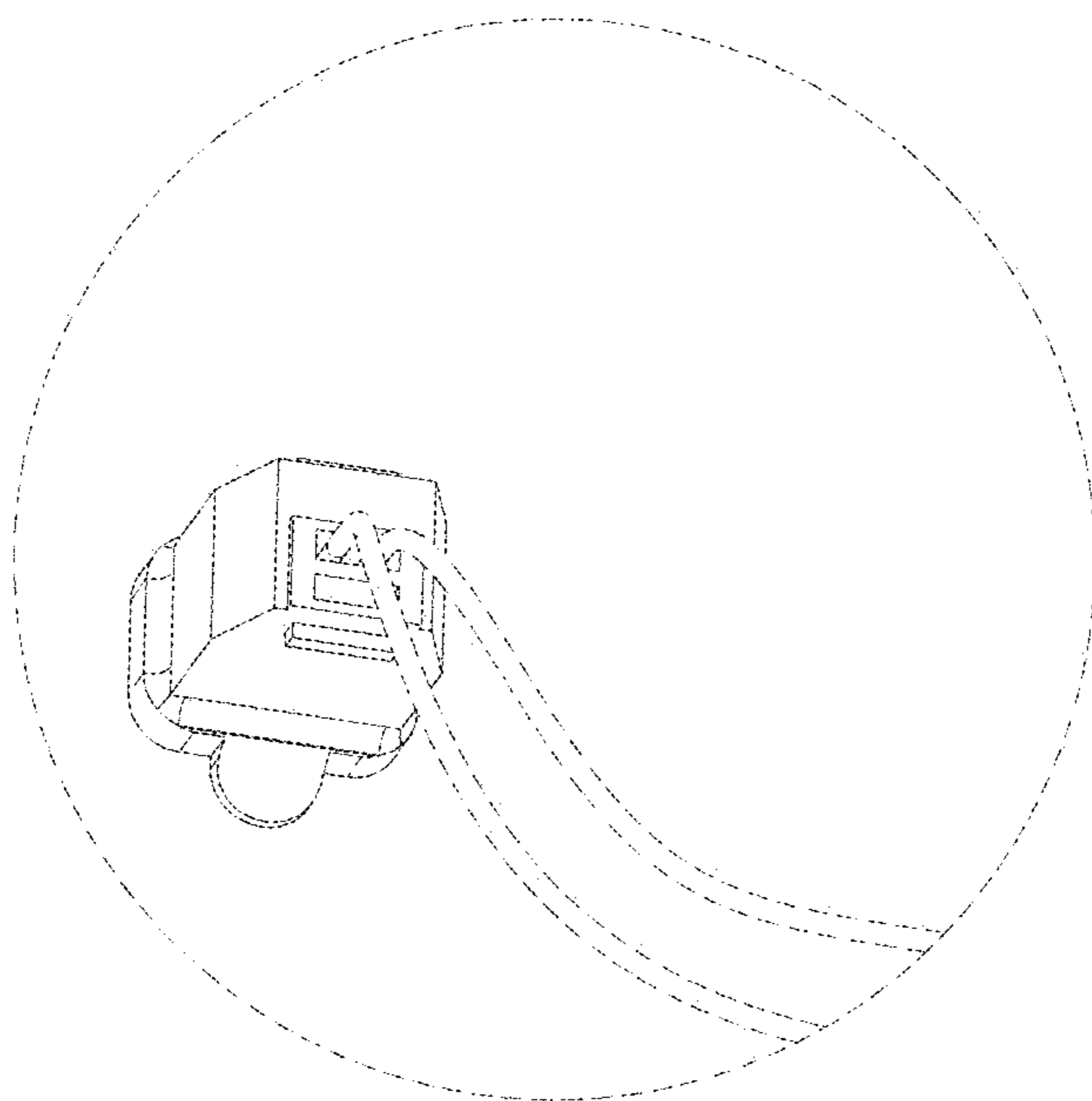


FIG. 22